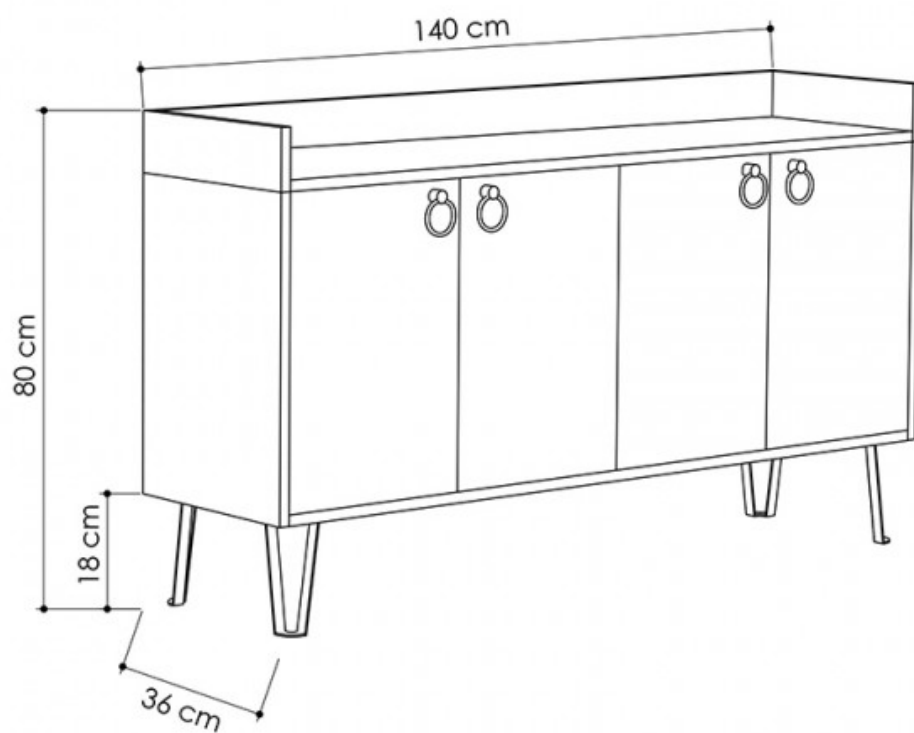


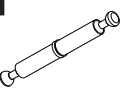
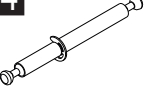
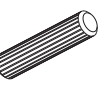
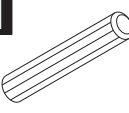
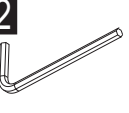
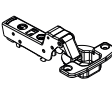
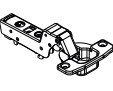
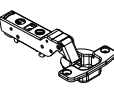



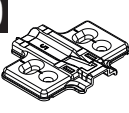
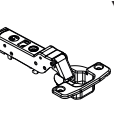




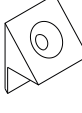
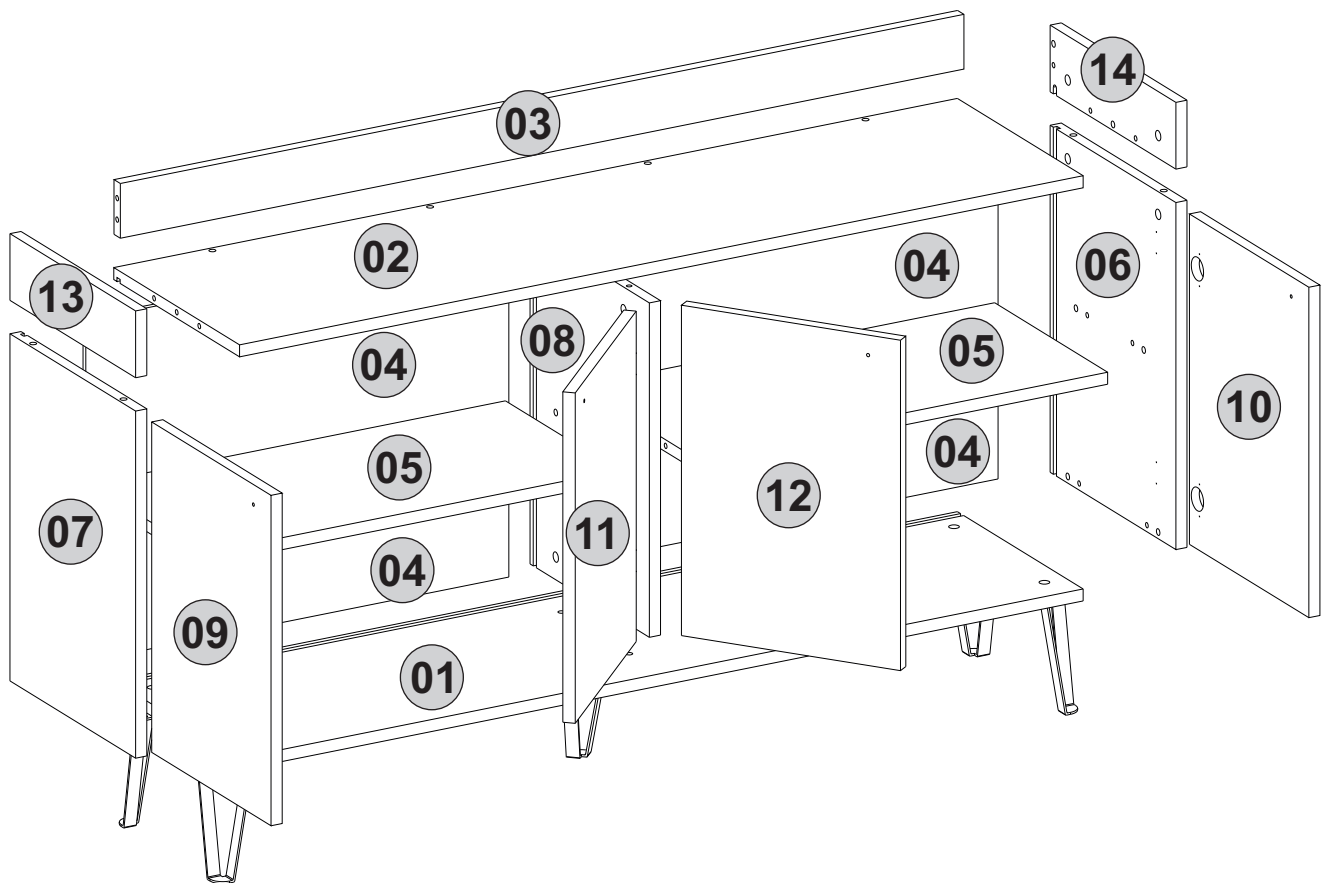


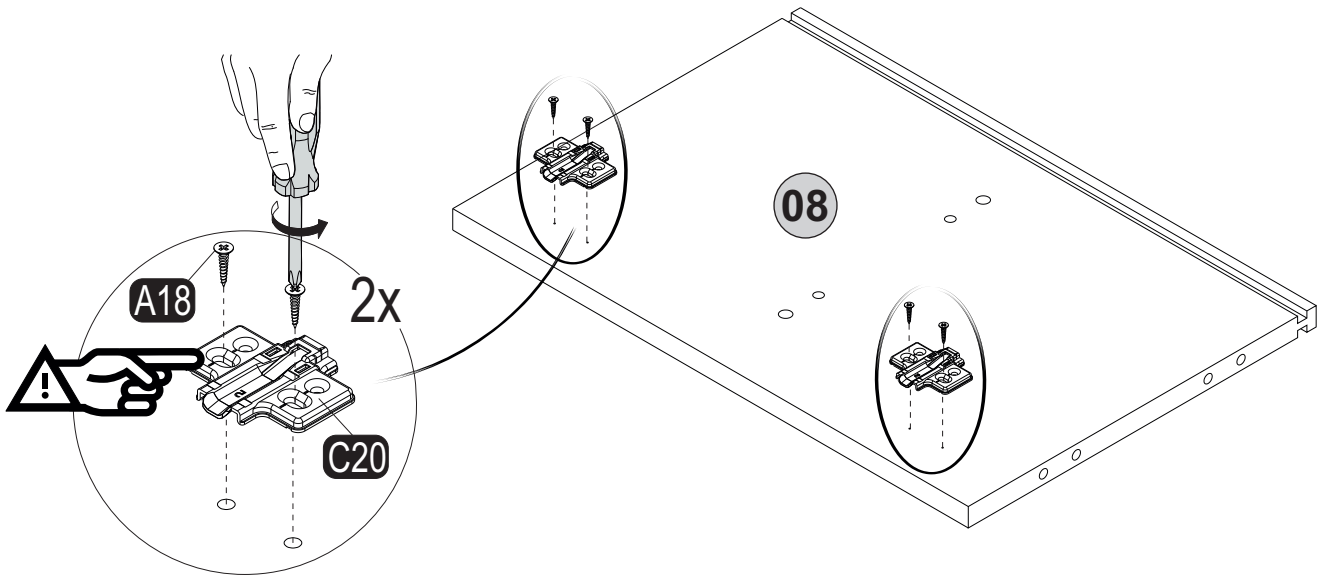
**i** GP037-0064,2



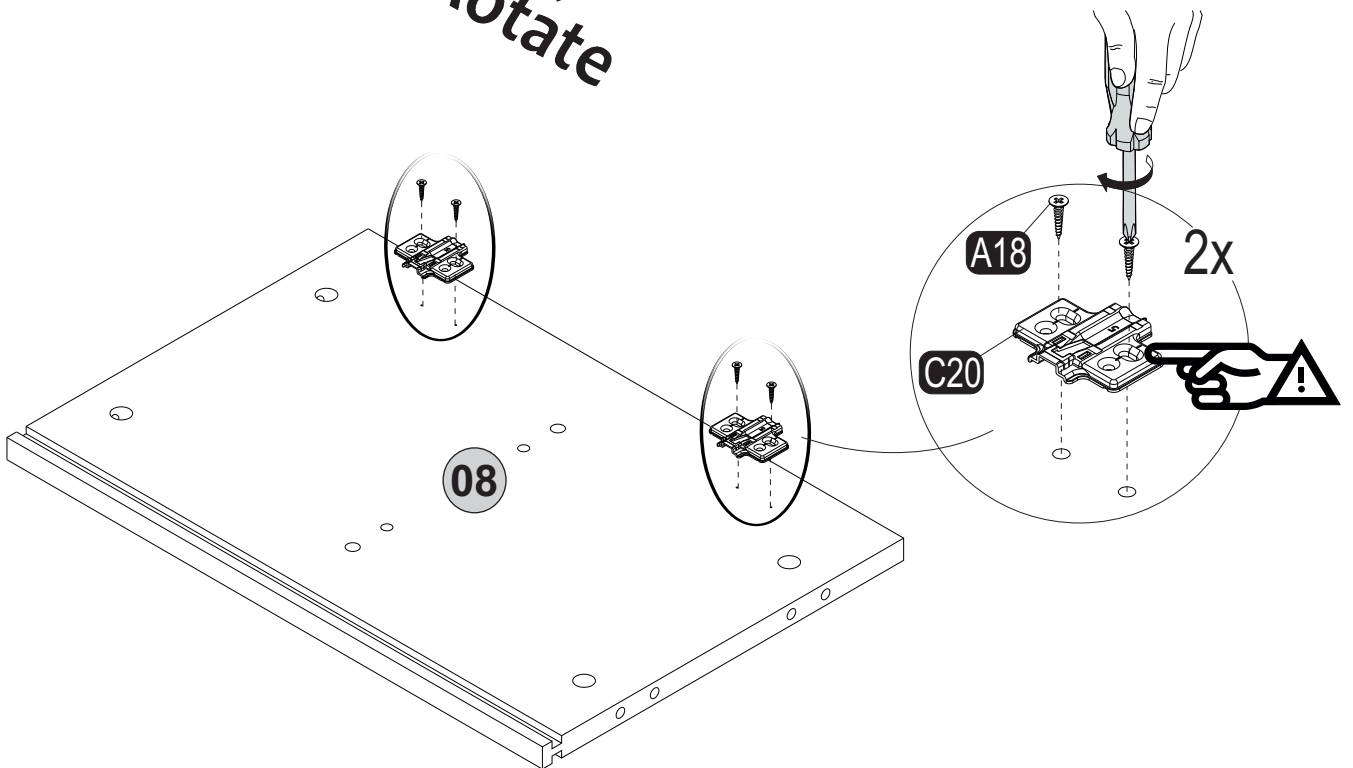
|   |   |  |   |  |
|---|---|--|---|--|
| <b>A22</b><br>Minifix k18<br><br>32x | <b>A23</b><br>Minifix M10<br><br>20x     | <b>A31</b><br>DFM6-68<br><br>4x | <b>A14</b><br>DFM6-86<br><br>2x             | <b>A04</b><br>Ø8<br><br>18x     |
| <b>A41</b><br>Ø8<br><br>2x           | <b>A12</b><br>4 SW<br><br>1x             | <b>C19</b><br>SdbF(S)<br><br>2x | <b>C16</b><br>Sdb(S)<br><br>2x              | <b>C18</b><br>YdbF(S)<br><br>2x |
| <b>A18</b><br>3,5x18<br><br>60x      | <b>Z53</b><br>Shki<br><br>4x             | <b>Z07</b><br>4x22kv<br><br>4x  | <b>C20</b><br>Mtk(S)<br><br>8x              | <b>C15</b><br>Ydb(S)<br><br>2x  |
| <b>Z22</b><br>Ma Ay002<br><br>5x     | <b>B15</b><br>15mm<br>(black)<br><br>10x | <b>A69</b><br>P.D.<br><br>10x   | <b>A06</b><br>18mm<br><br>C1-20x<br>C2-12x | <b>A25</b><br>ARK.PL<br><br>12x |



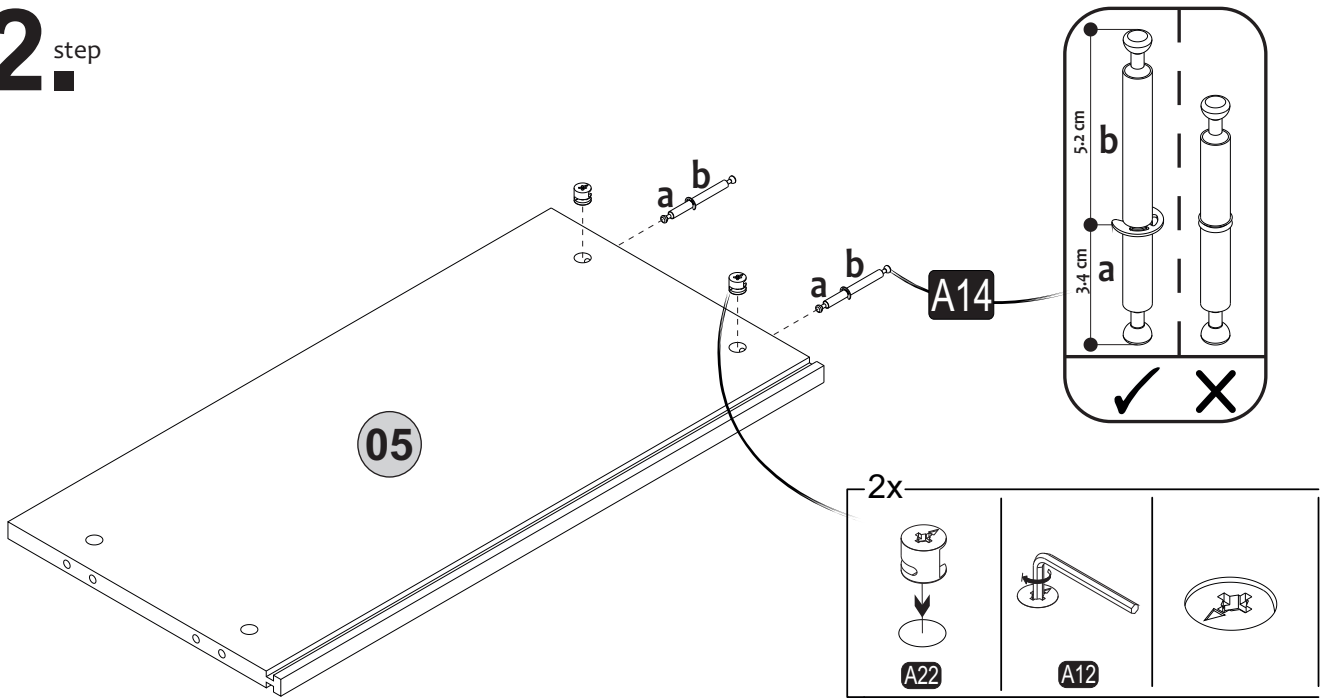
# 1. step



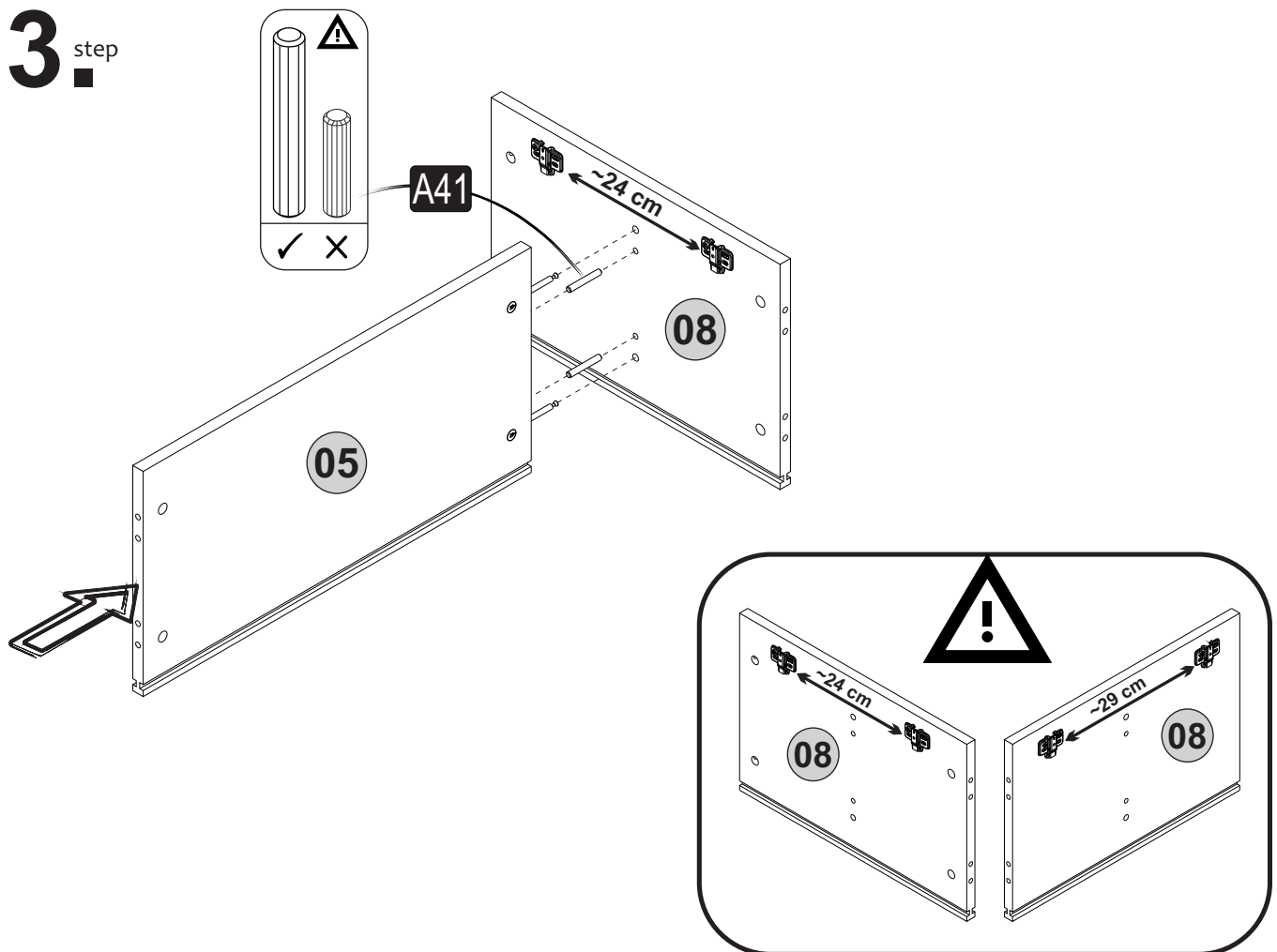
**Rotate**



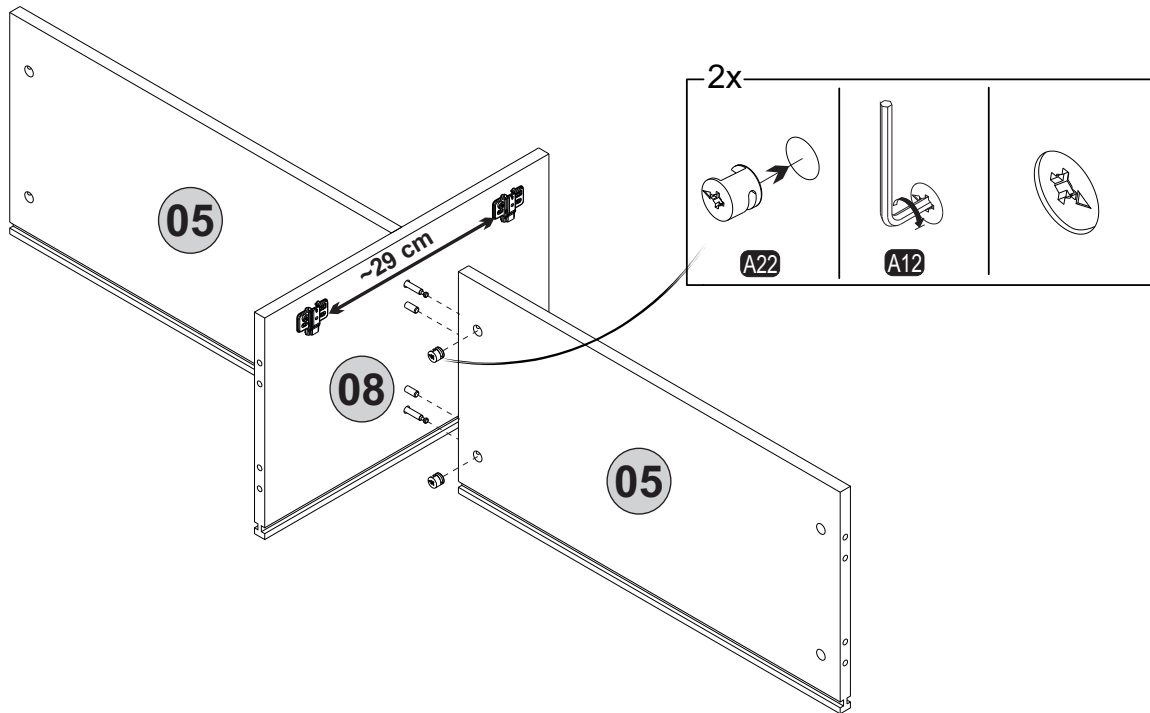
# 2<sup>step</sup>



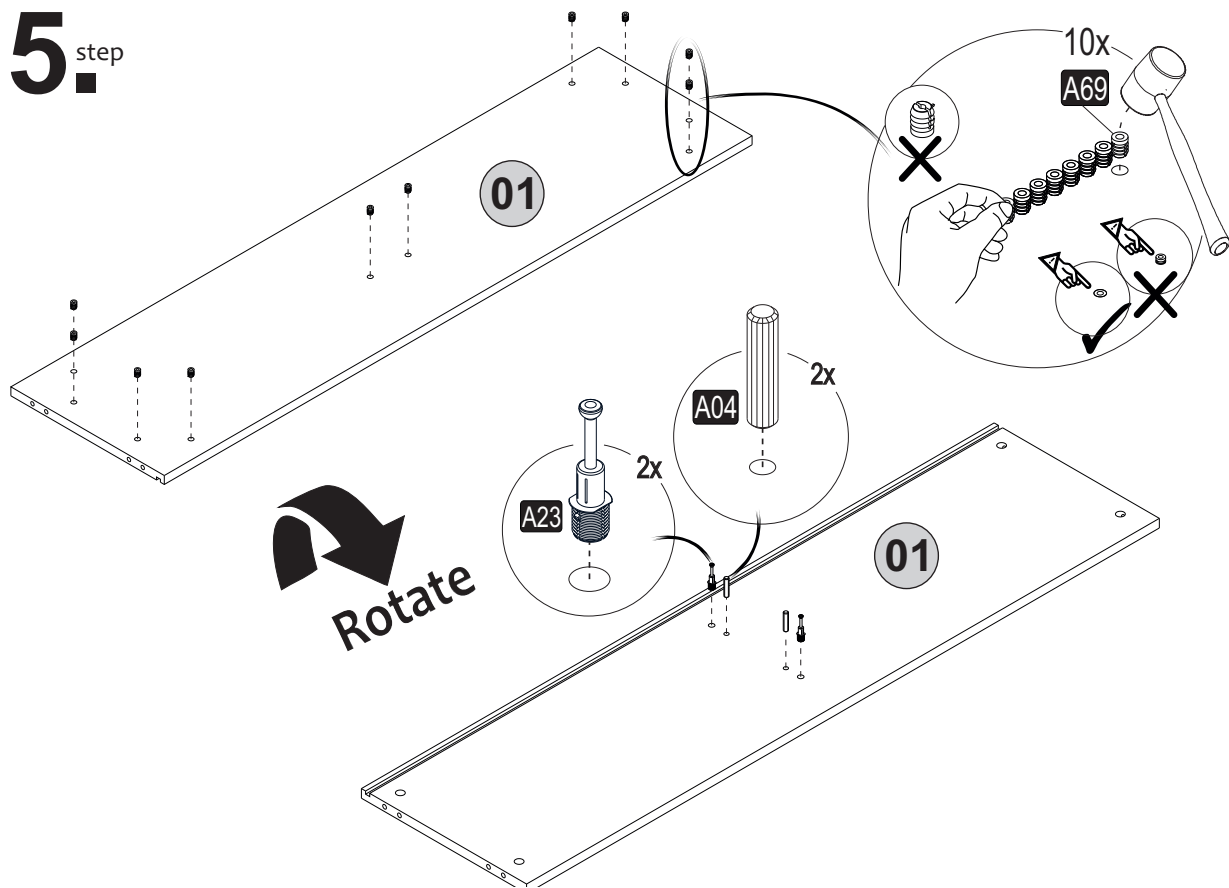
# 3<sup>step</sup>



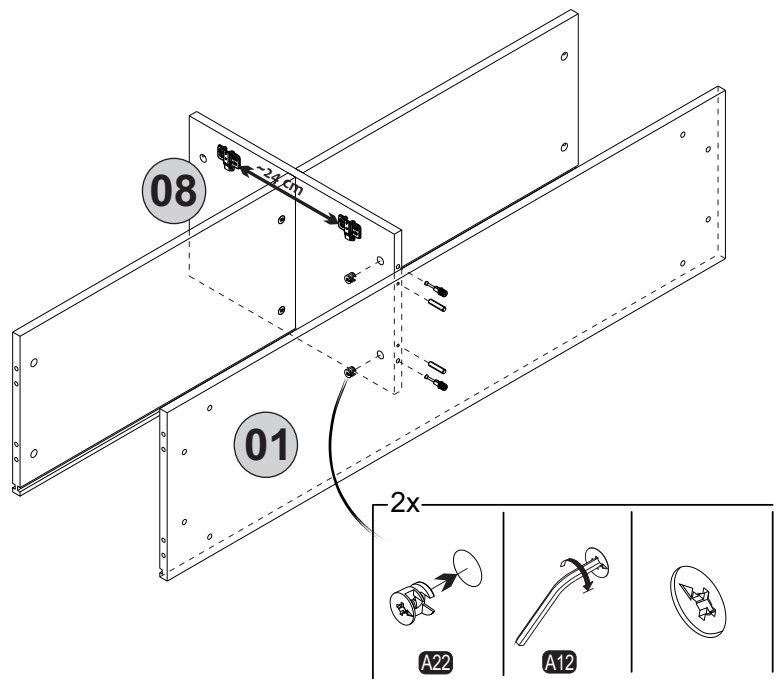
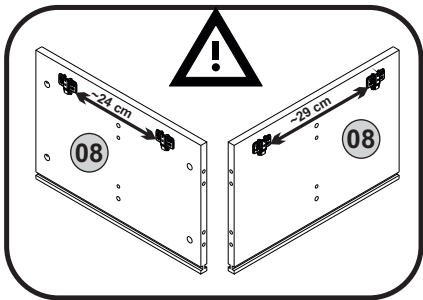
# 4<sup>step</sup>



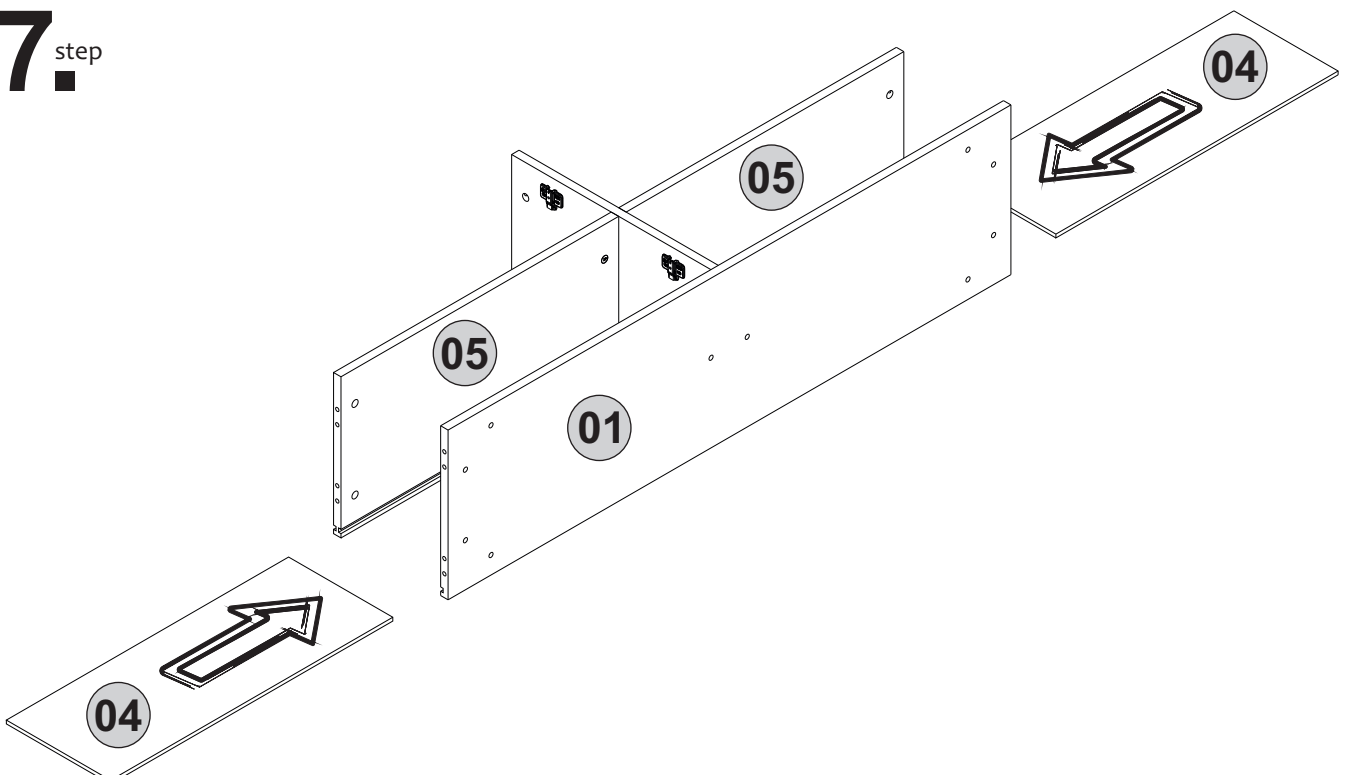
# 5<sup>step</sup>



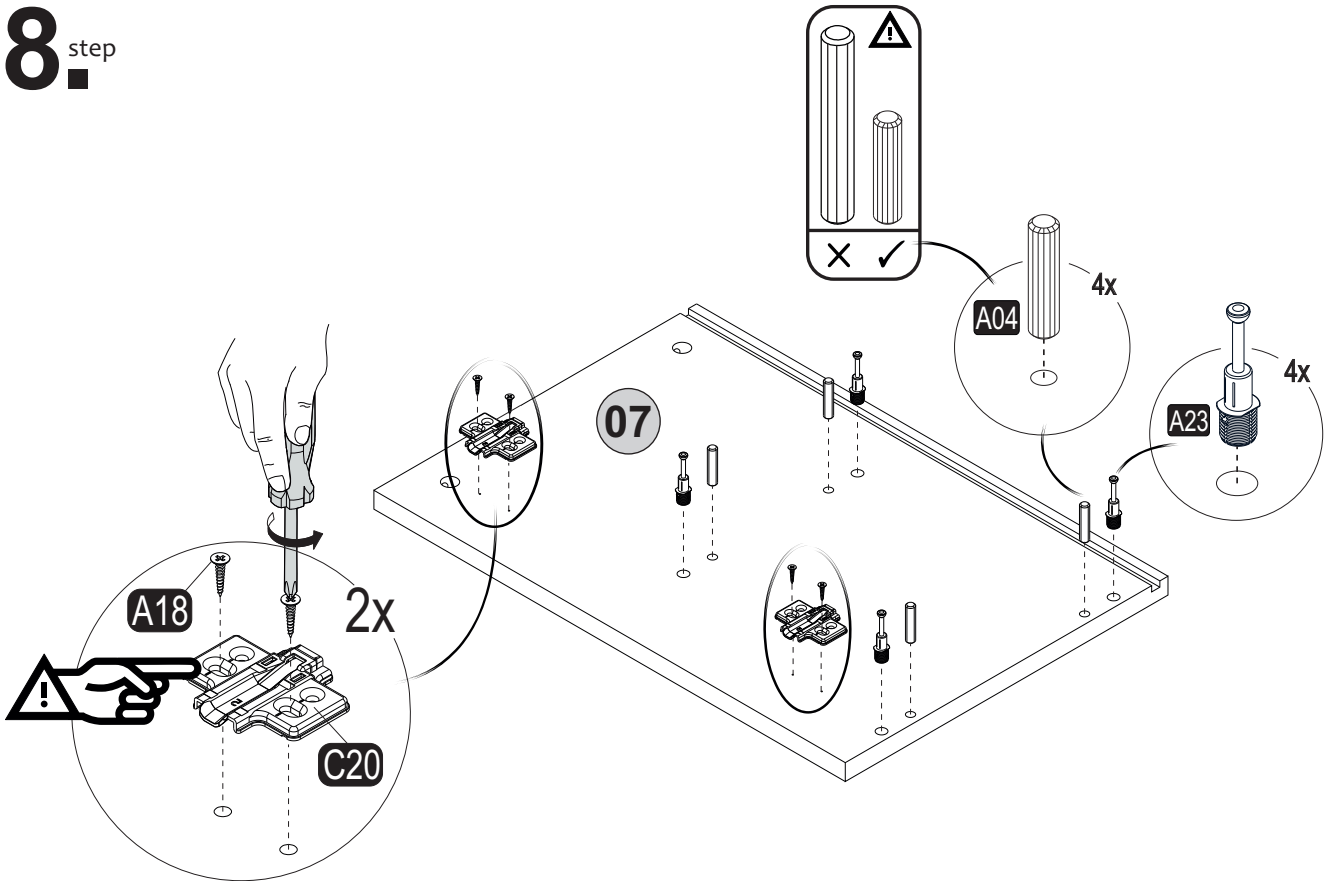
# 6<sup>step</sup>



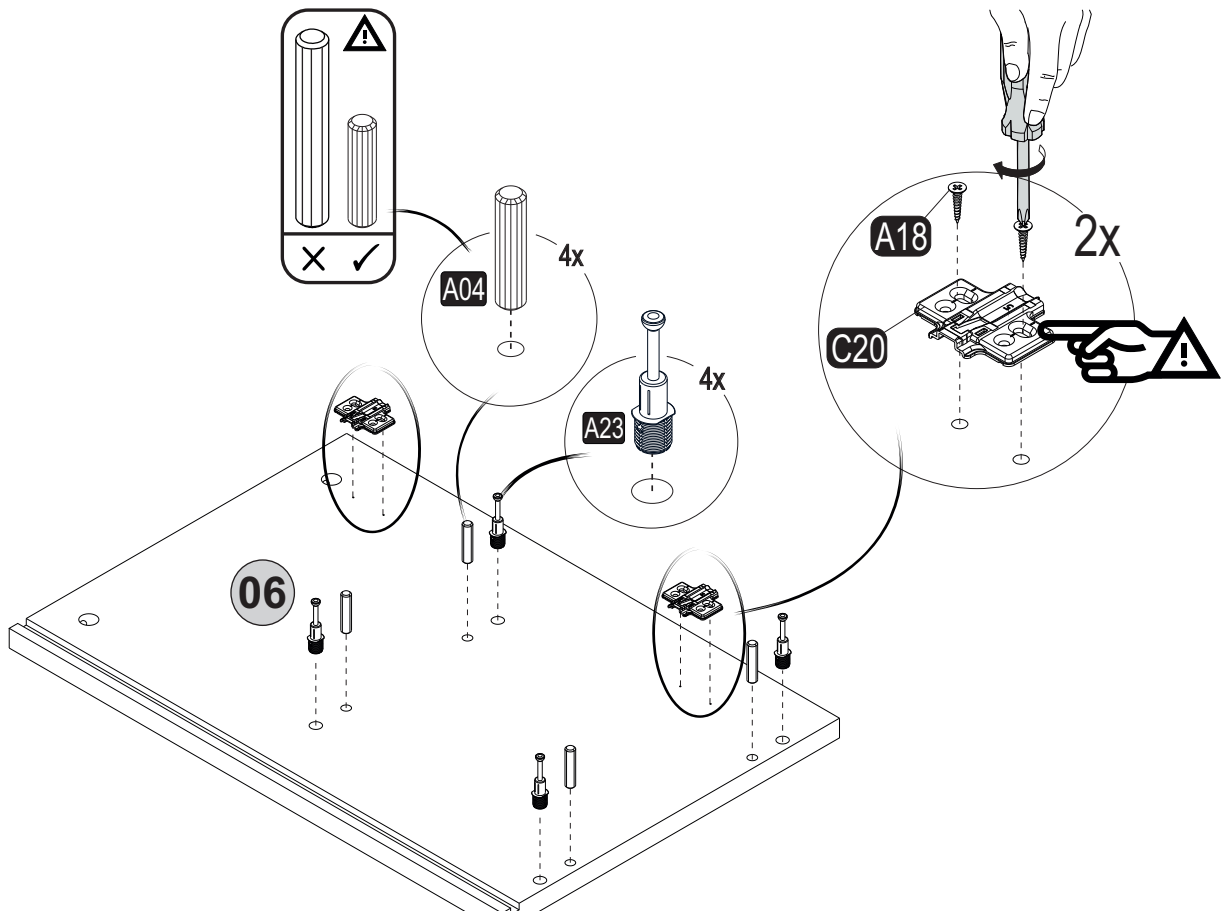
# 7<sup>step</sup>



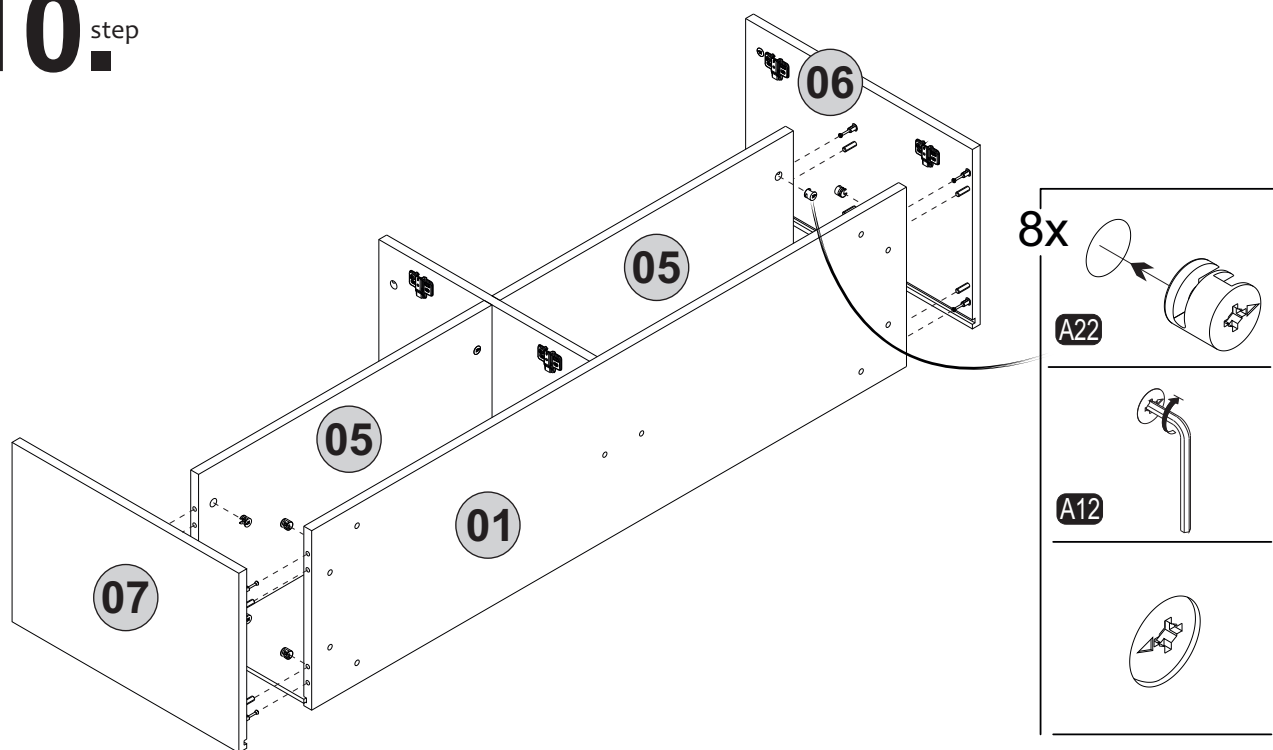
# 8<sup>step</sup>



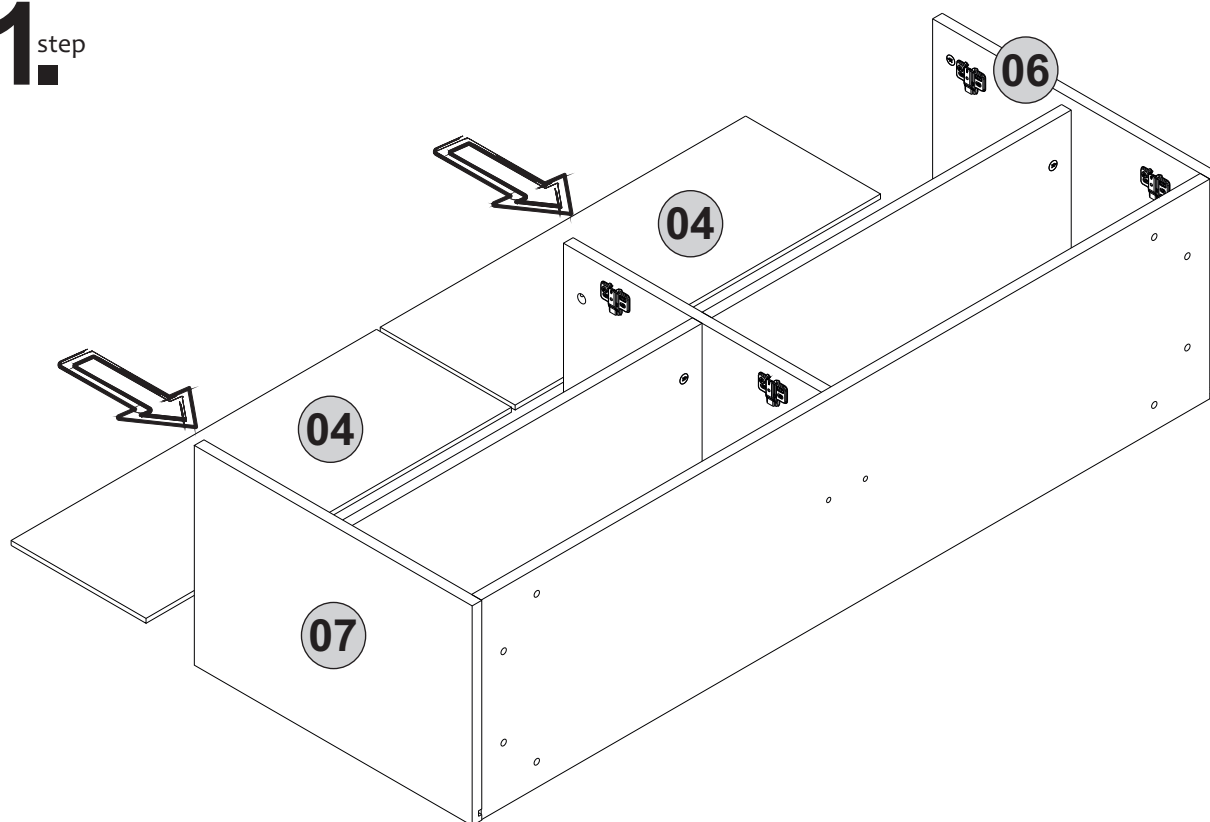
# 9<sup>step</sup>



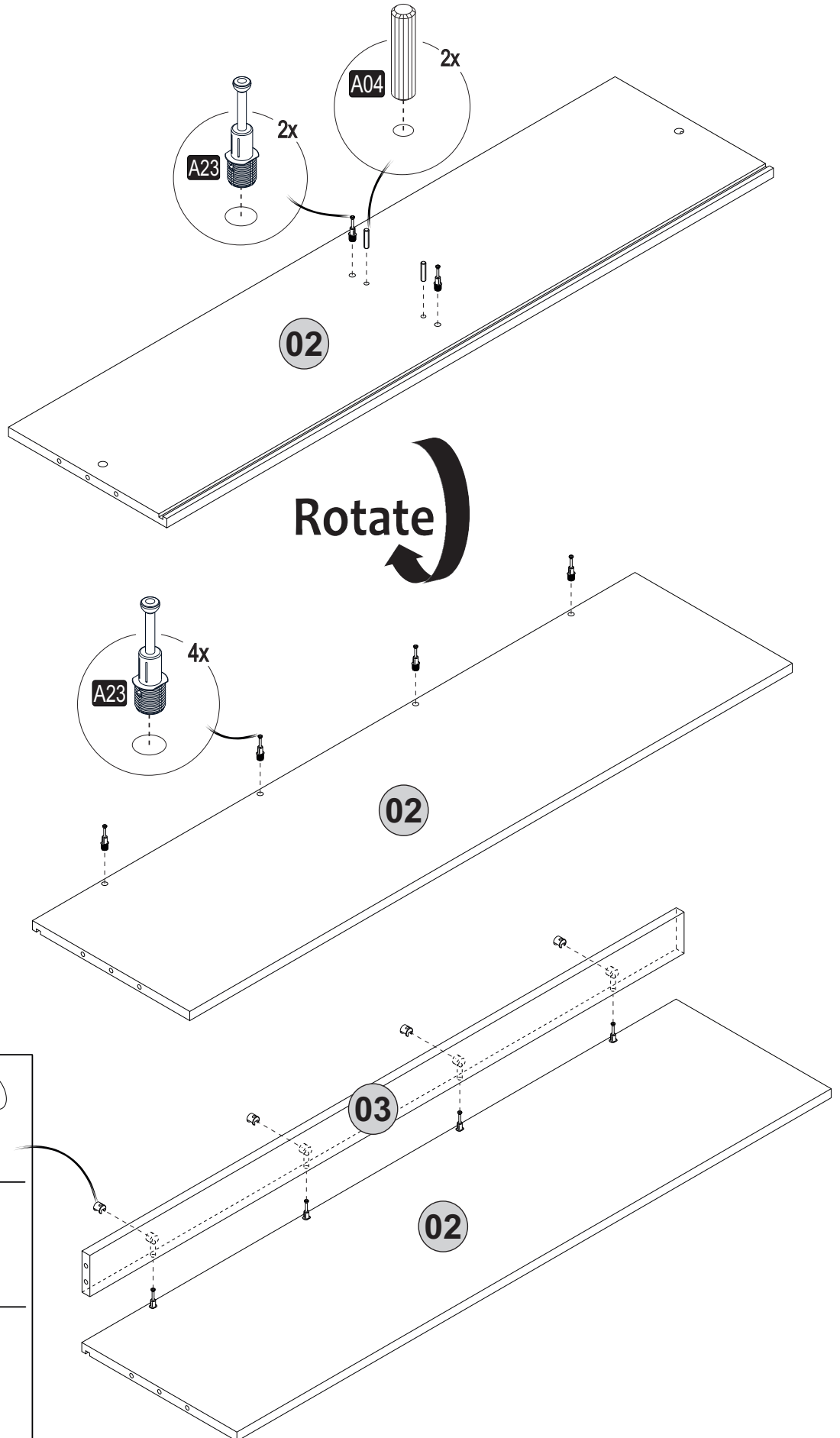
# 10.<sup>step</sup>



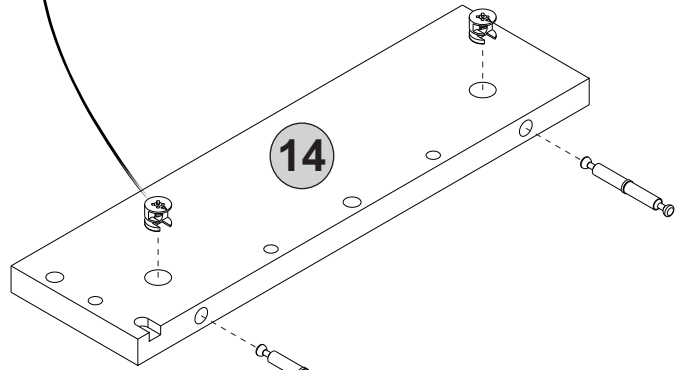
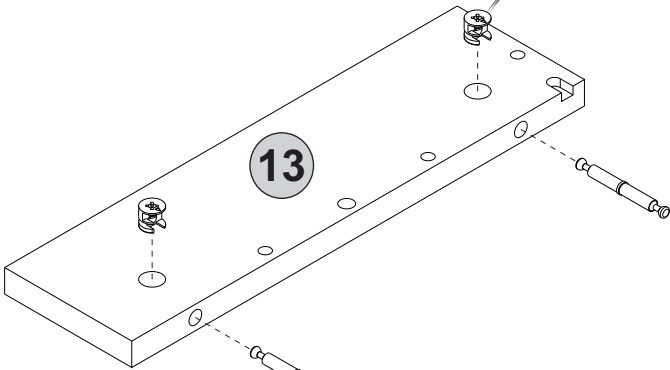
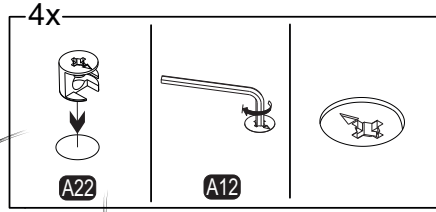
# 11.<sup>step</sup>



# 12.<sup>step</sup>

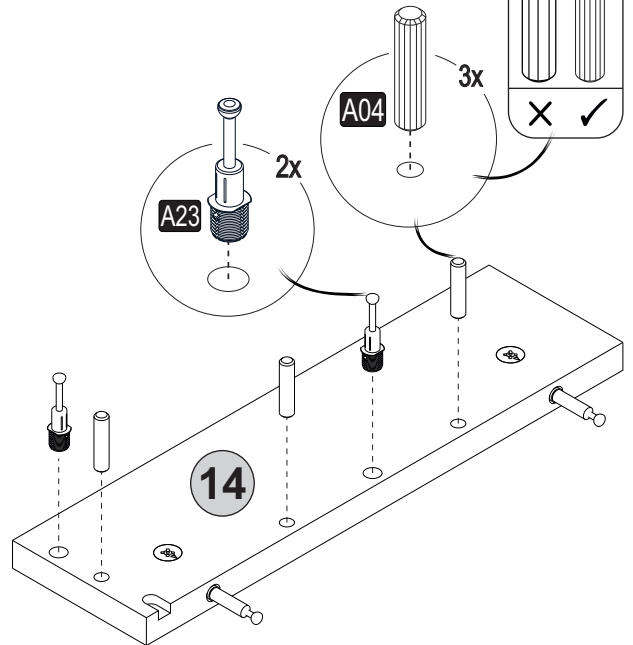
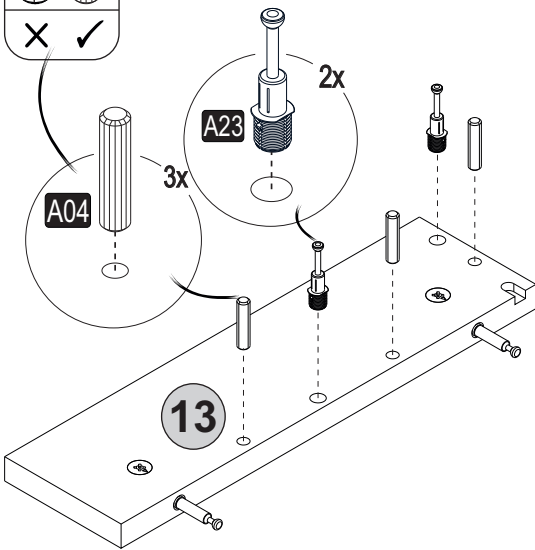
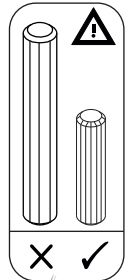
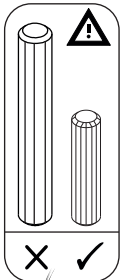
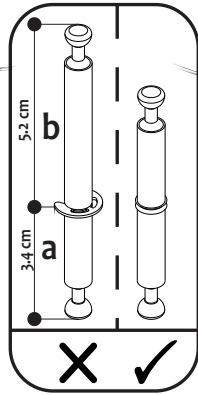


# 13<sup>step</sup>

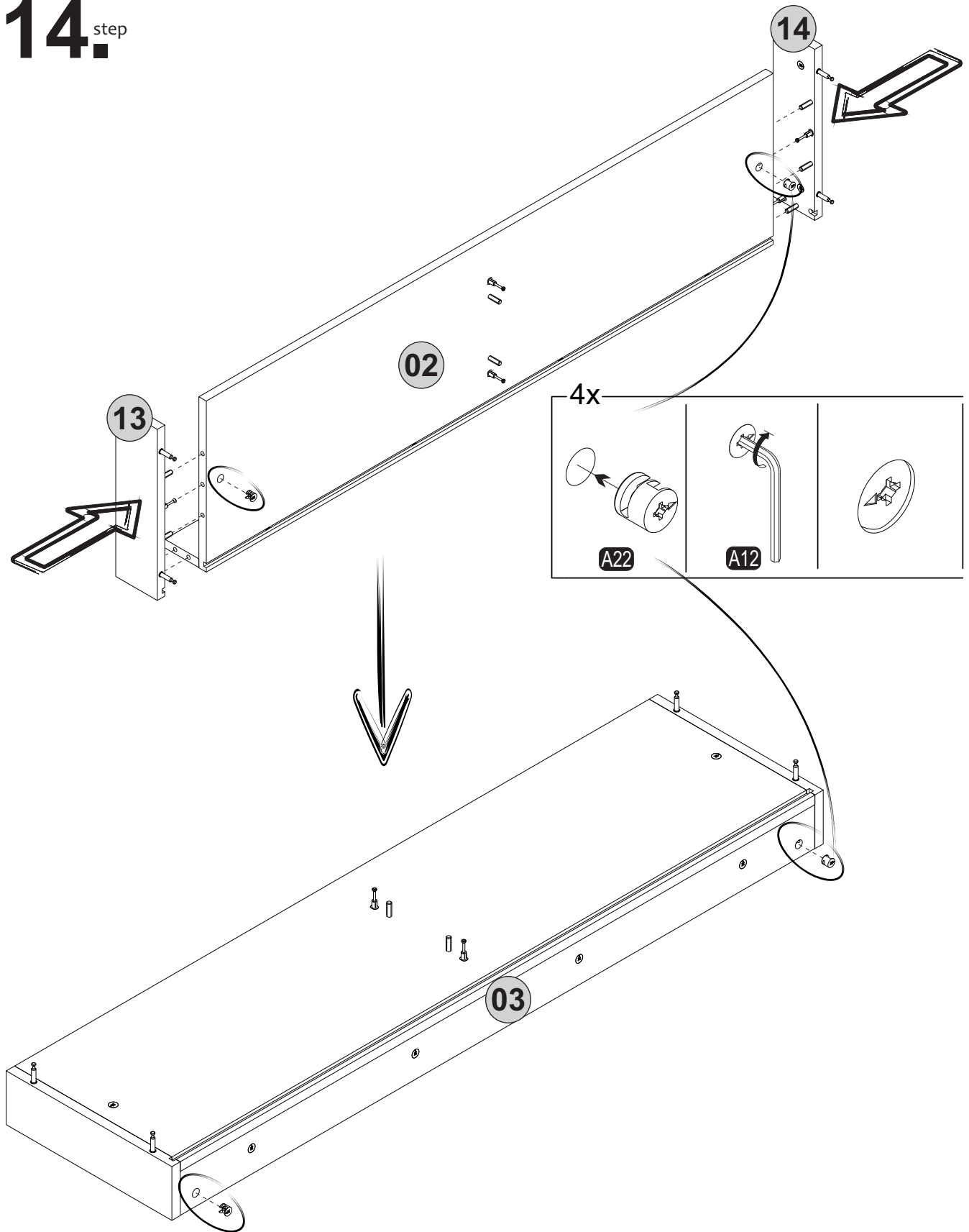


A31

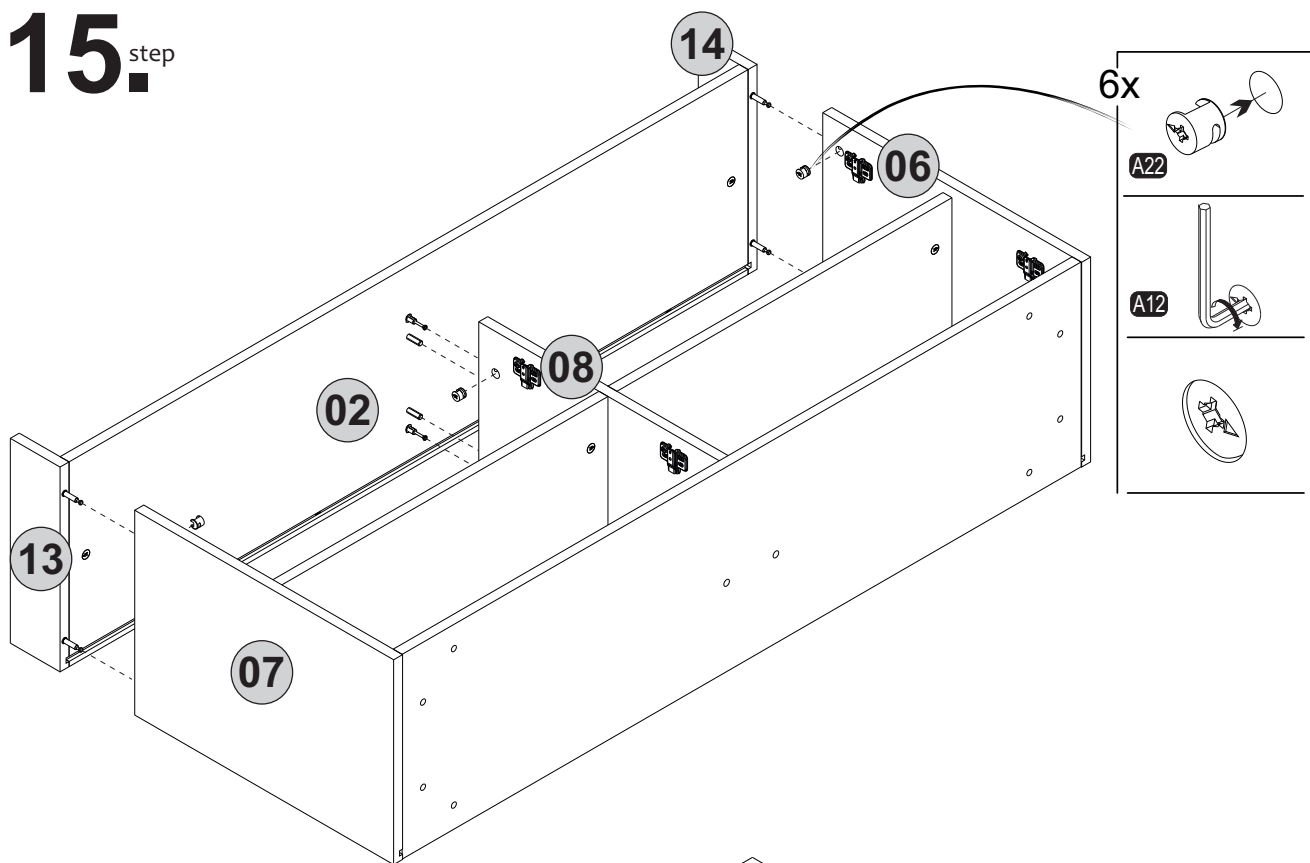
A31



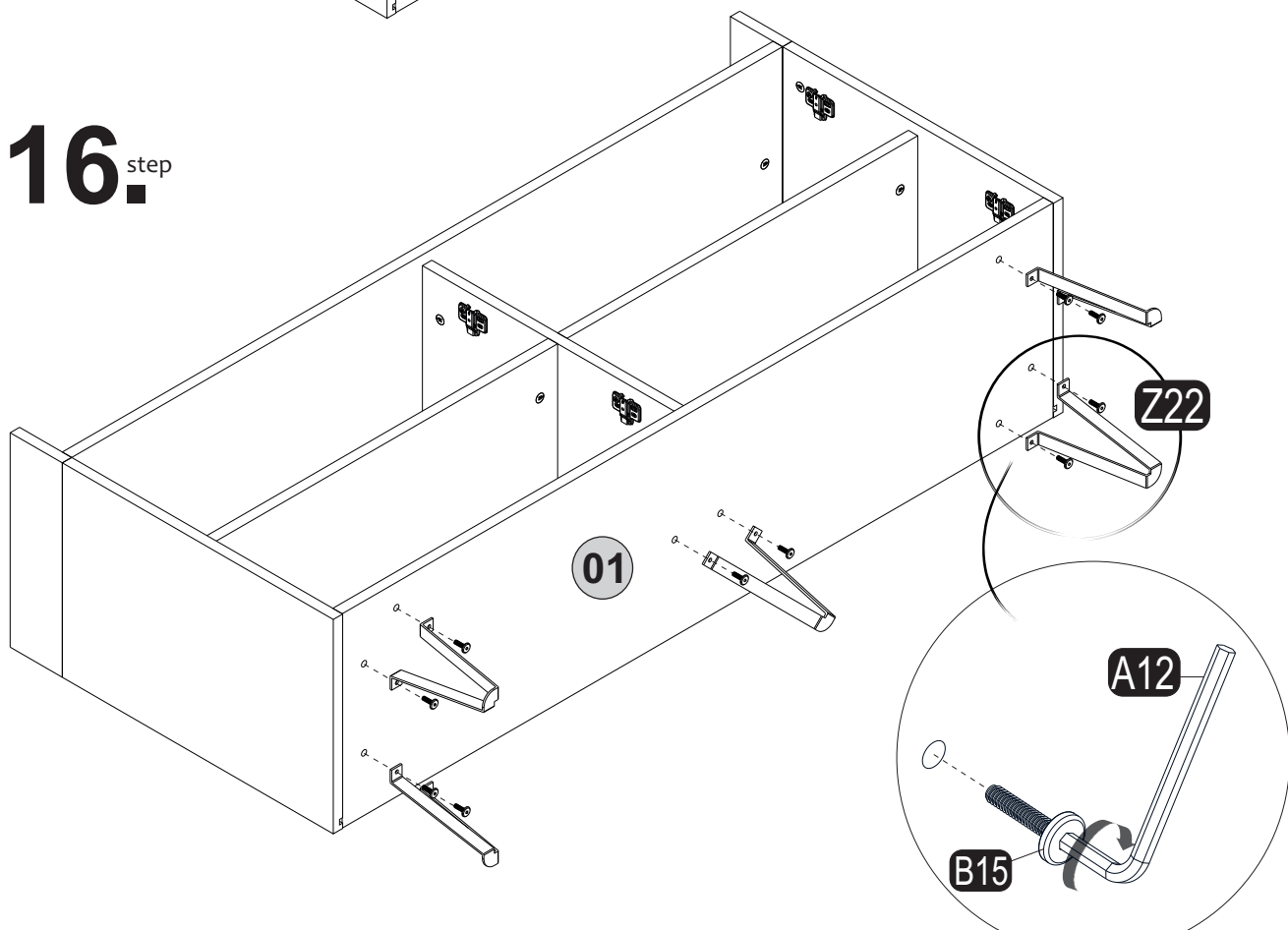
# 14. step



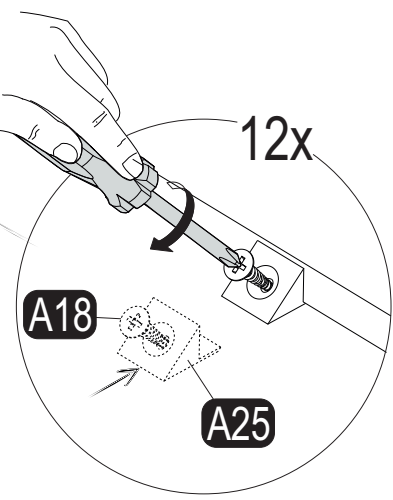
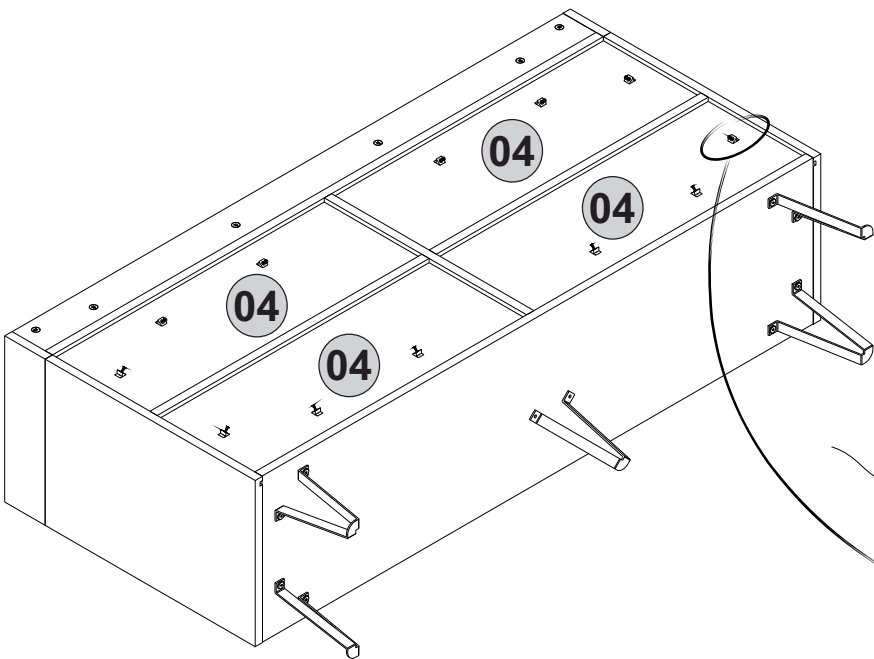
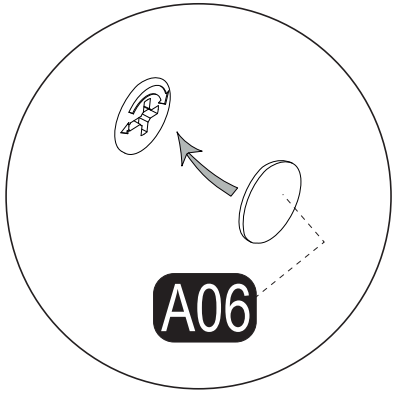
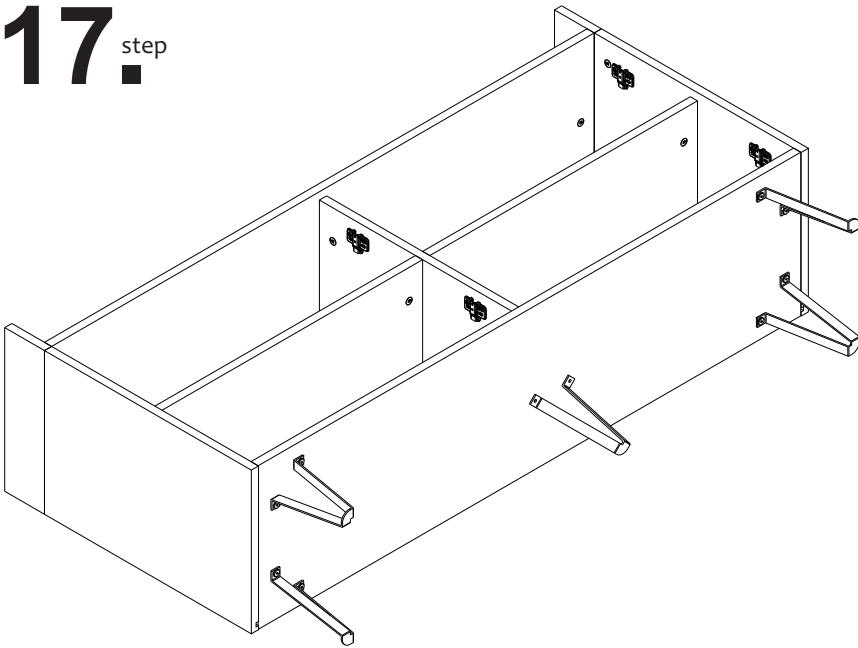
# 15<sup>step</sup>



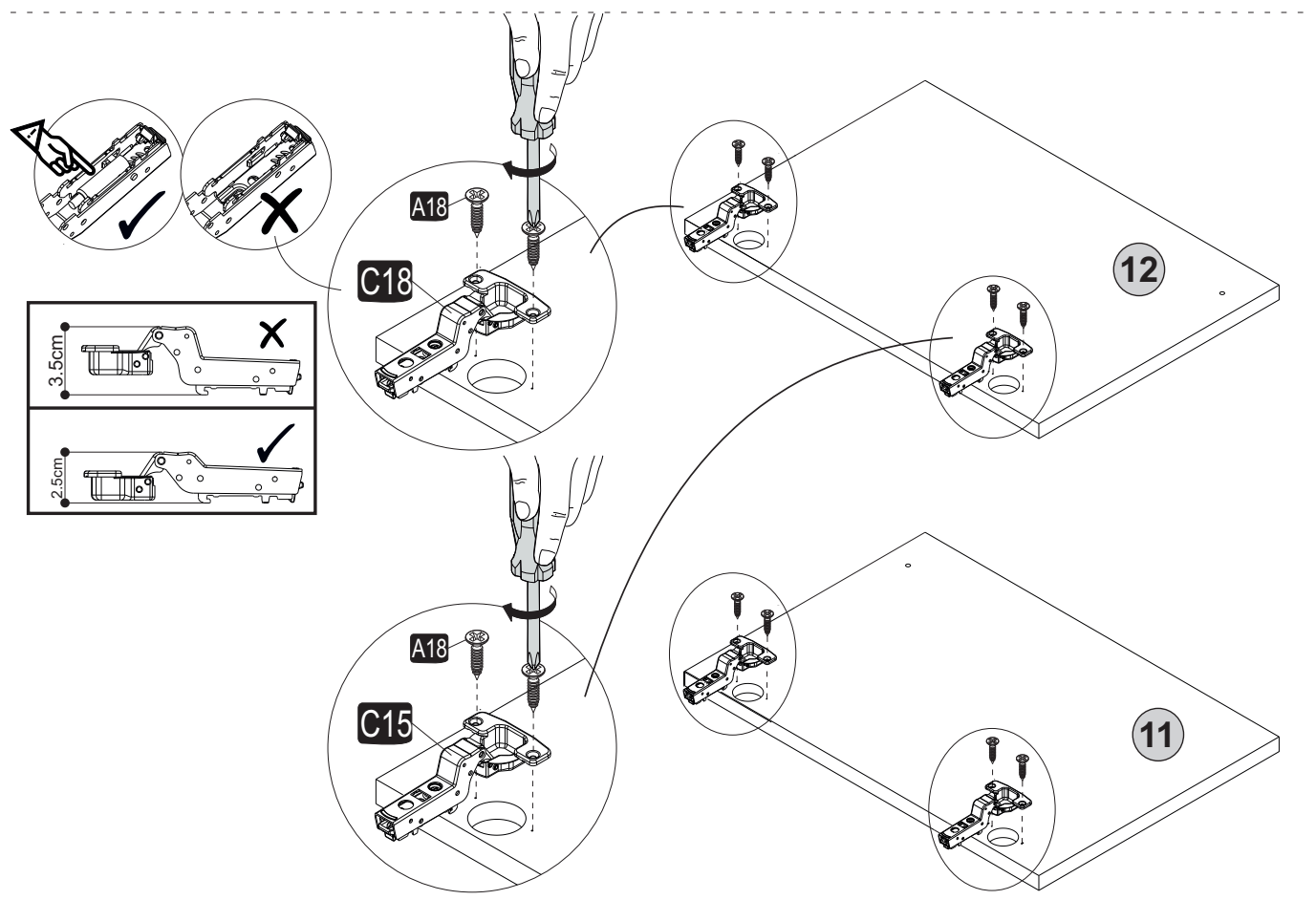
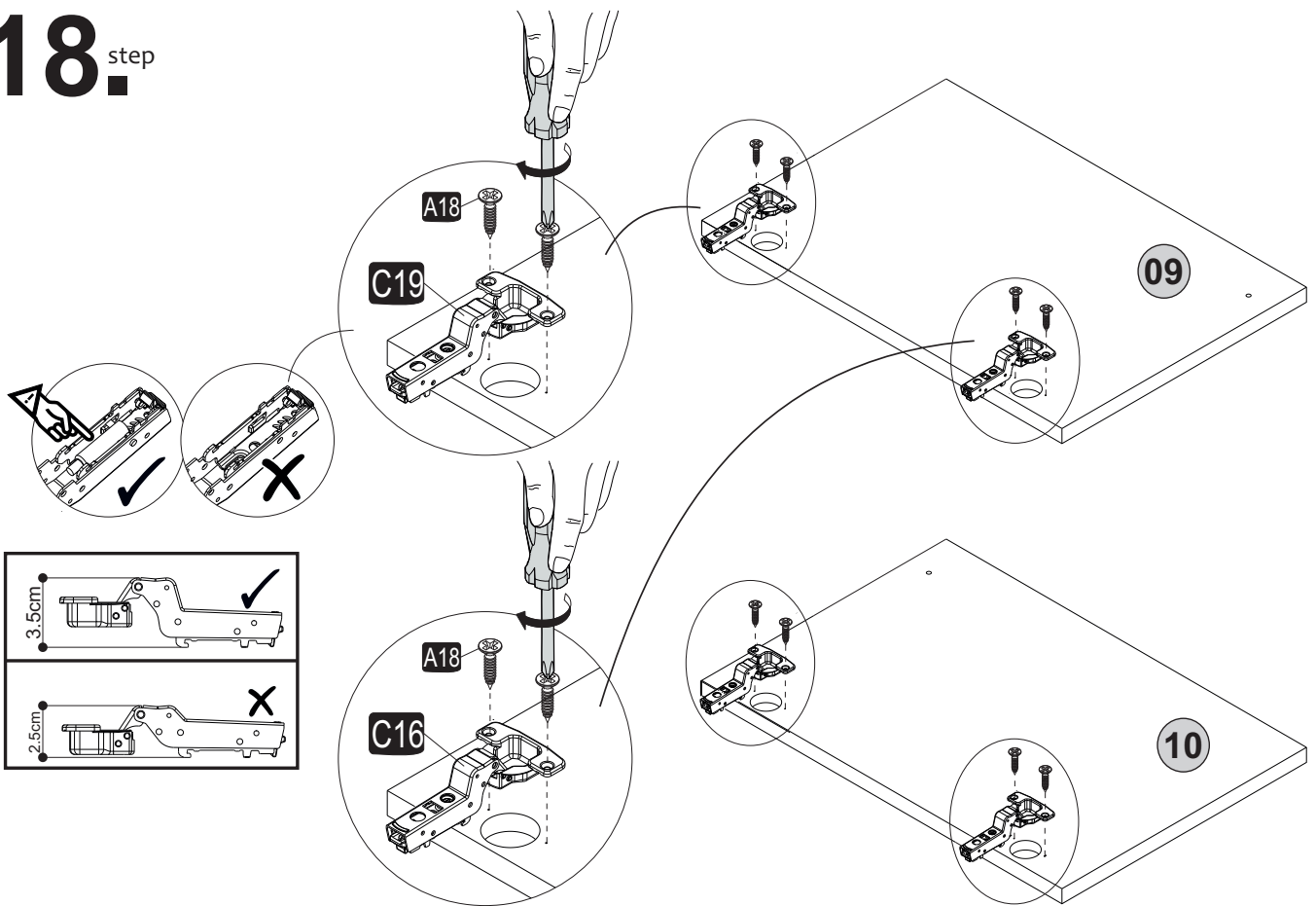
# 16<sup>step</sup>



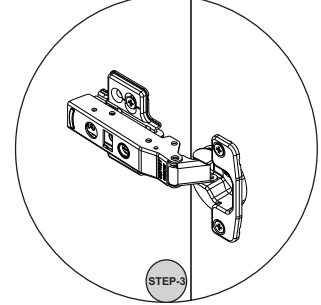
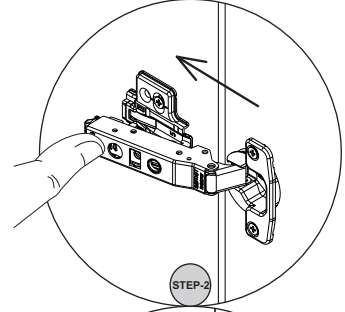
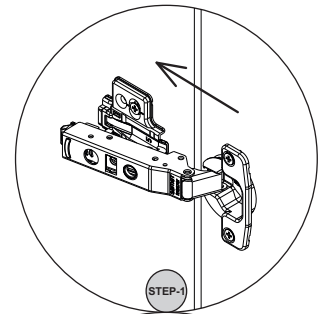
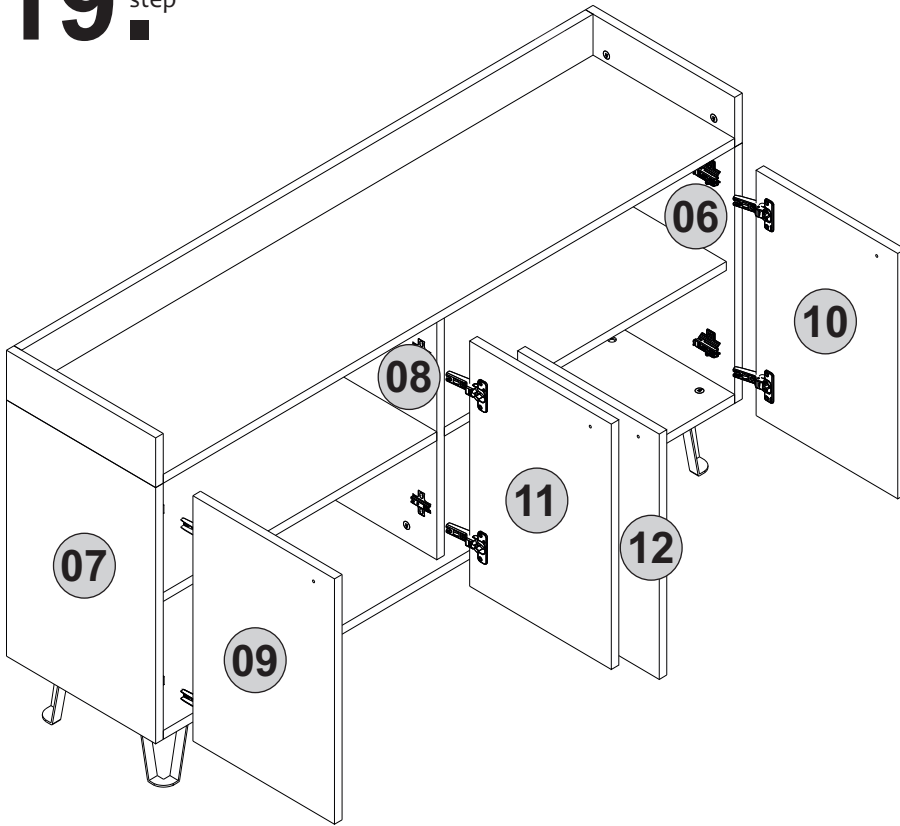
# 17. step



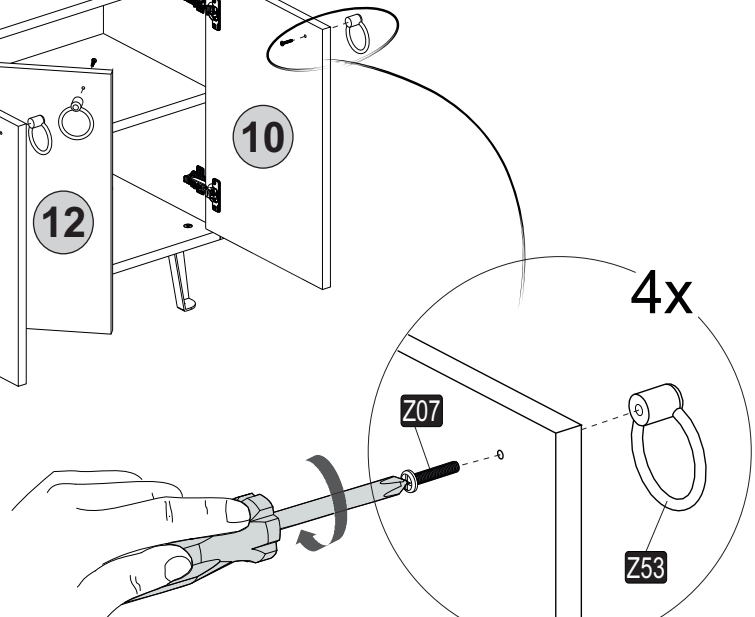
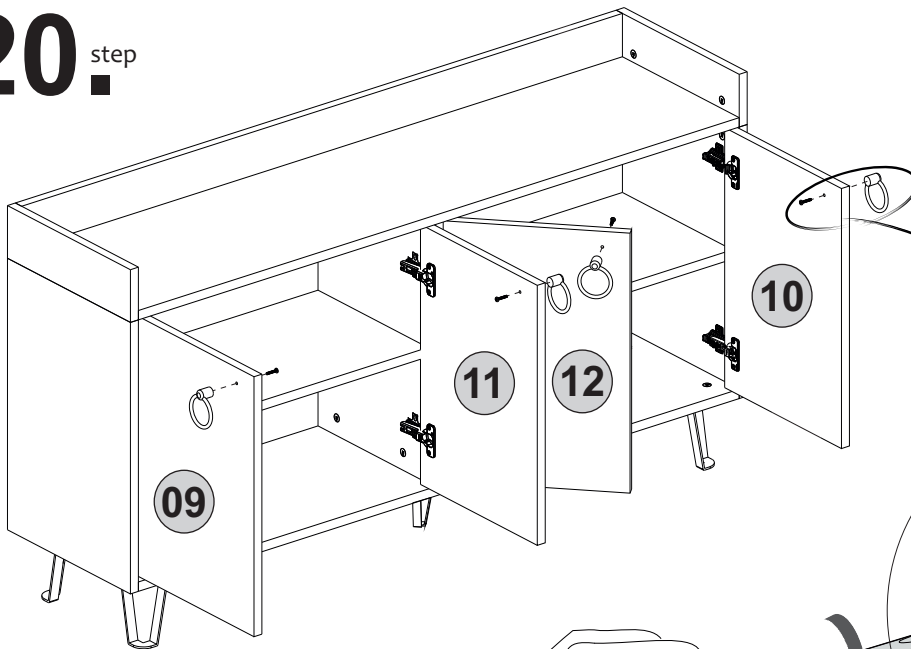
# 18. step



# 19.<sup>step</sup>



# 20.<sup>step</sup>



# 21<sub>step</sub>

