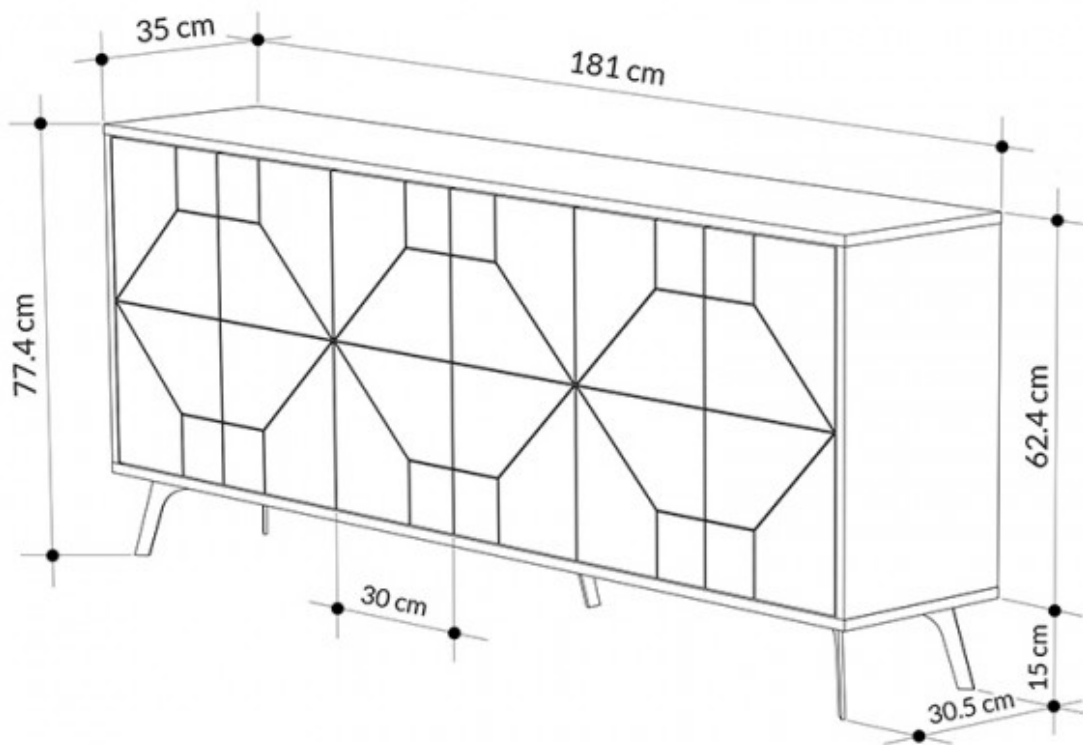
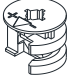





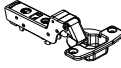







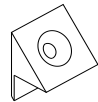
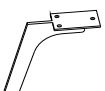
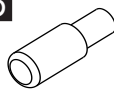
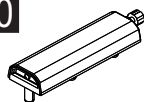

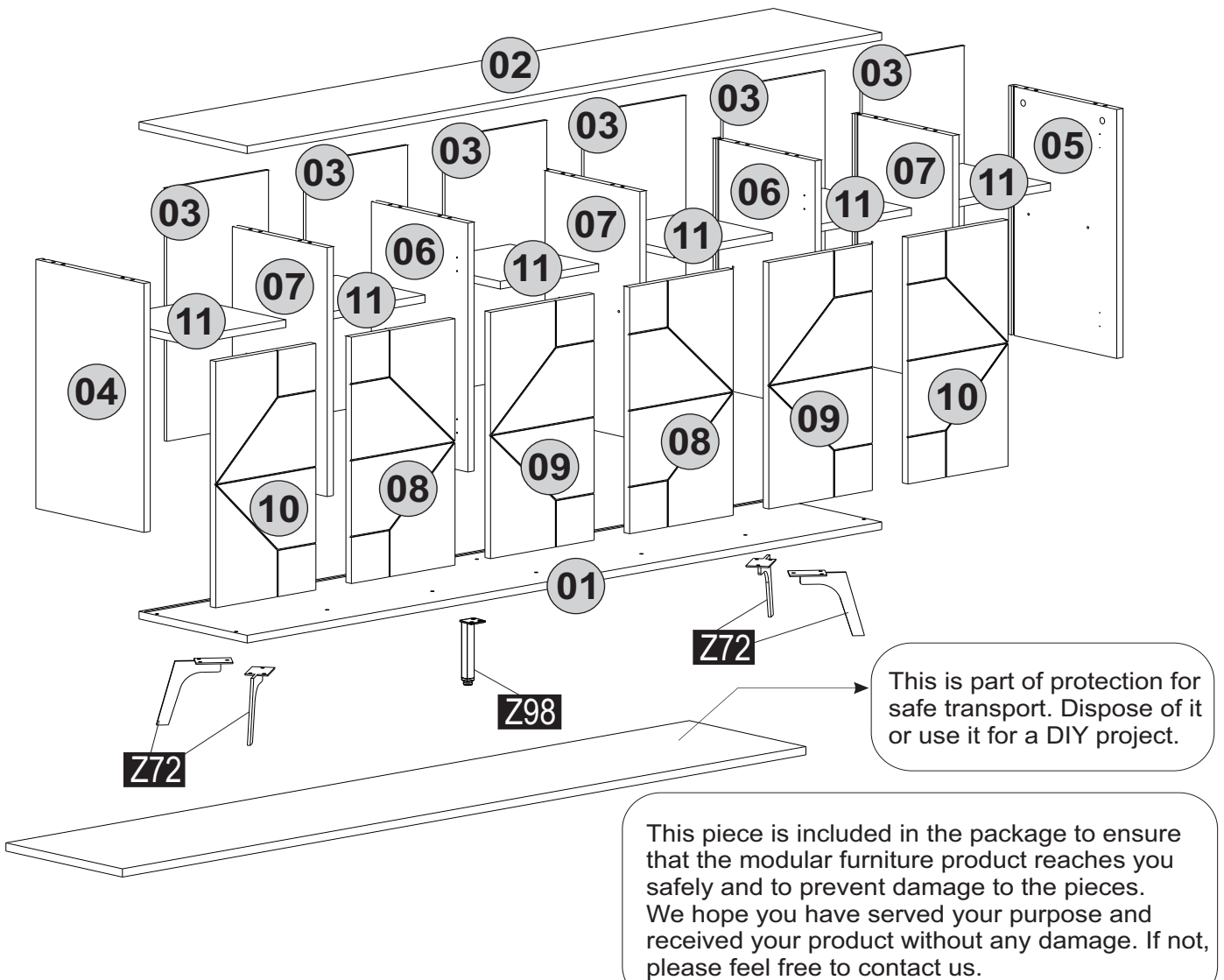


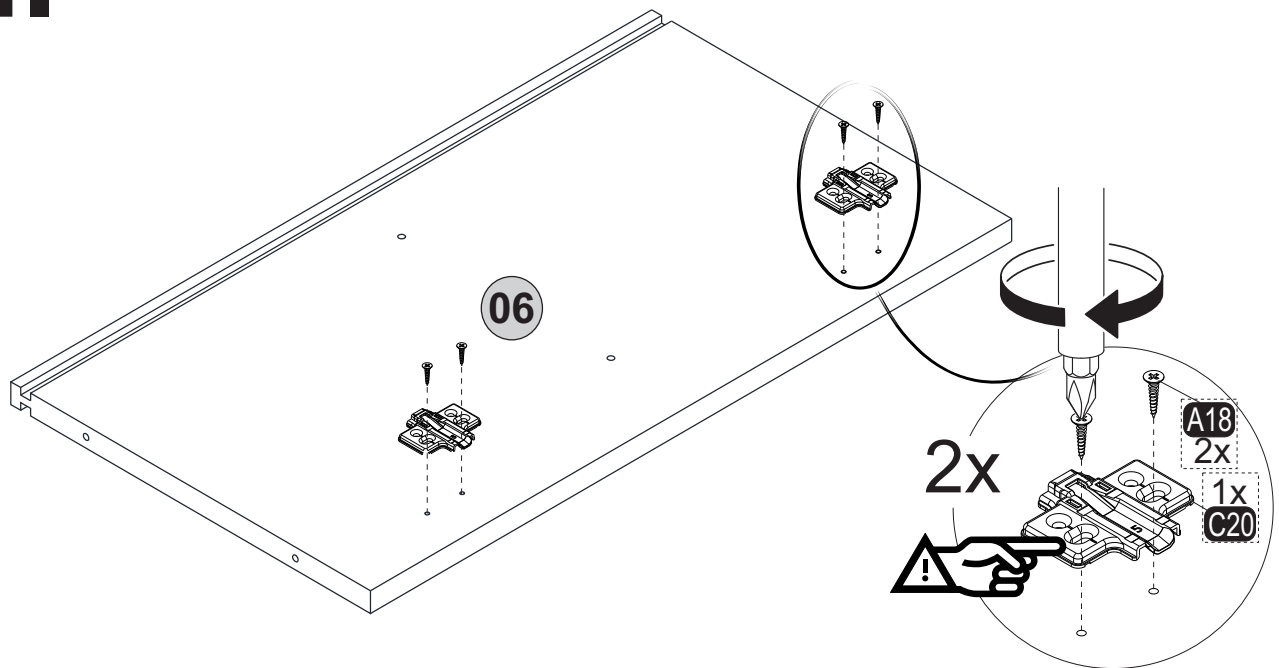
i GP037-0068,2



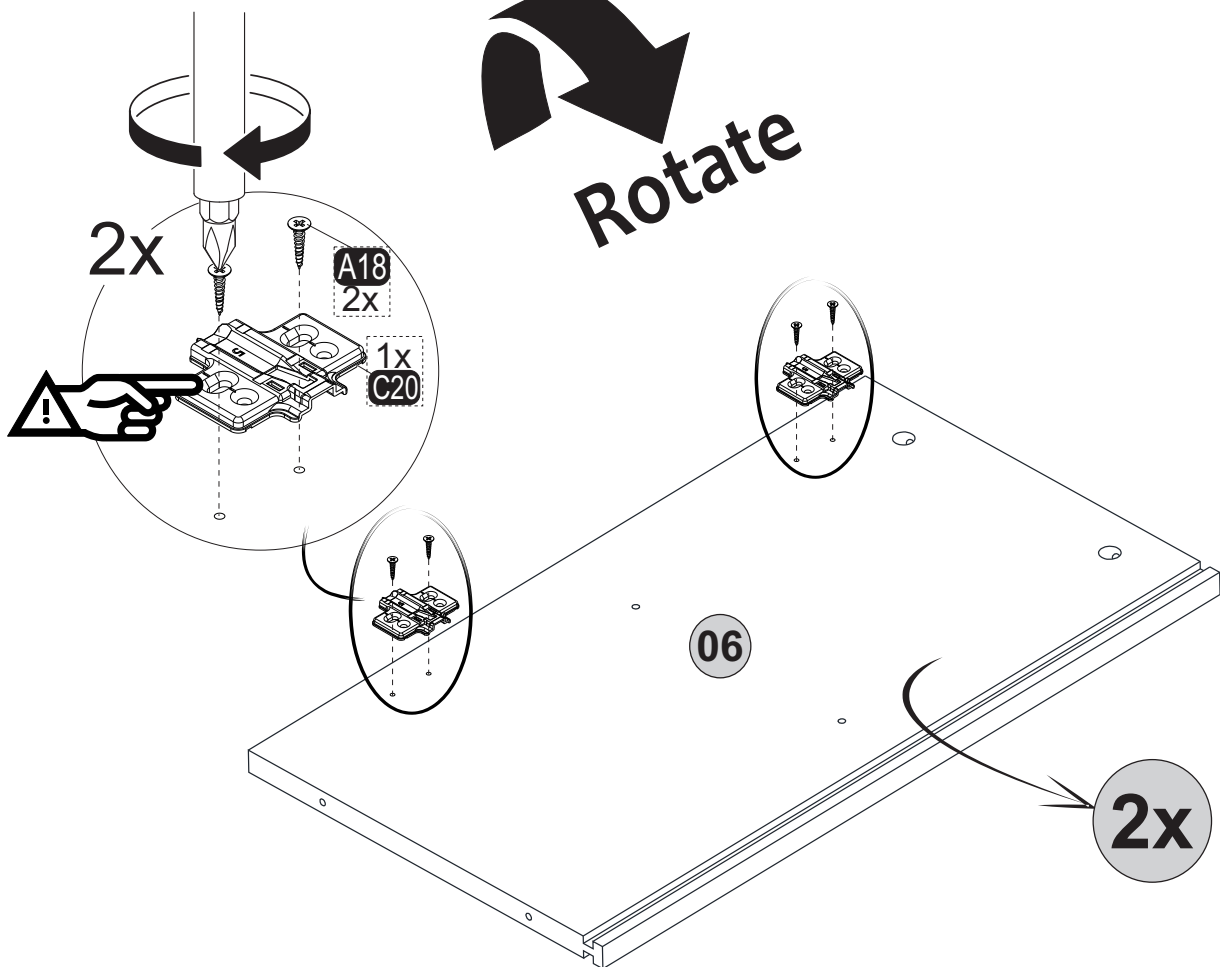
A22 Minifix k18  14x	A23 Minifix M10  14x	A04 Ø8  14x	A13 50mm  14x	A12 4 sw  1x
C19 SdbF(S)  2x	C16 Sdb(S)  2x	C18 YdbF(S)  4x	C15 Ydb(S)  4x	C20 Mtk(S)  12x
A18 3,5x18  96x	B15 15 (black)mm  15x	A69 P.D.  15x	A06 18mm  14x	A25 ARK.PL  24x
Z72  x4	A48 Raf Pimi  24x	A80 bas ac  6x	Z98 A.M.A 150mm  1x	



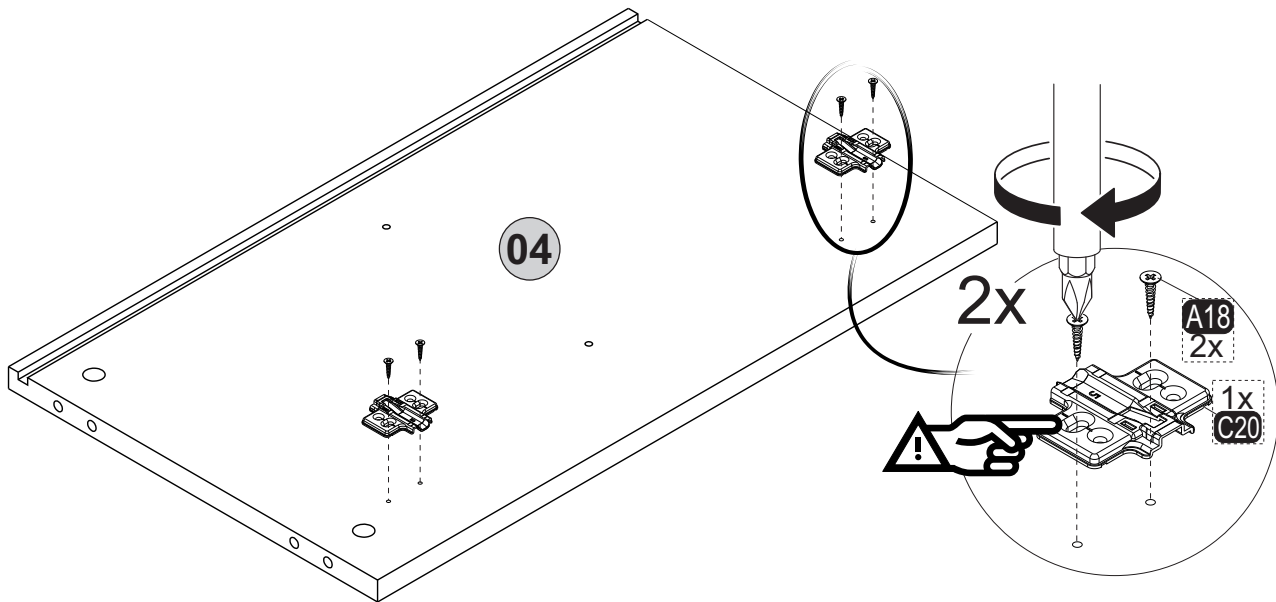
1. step



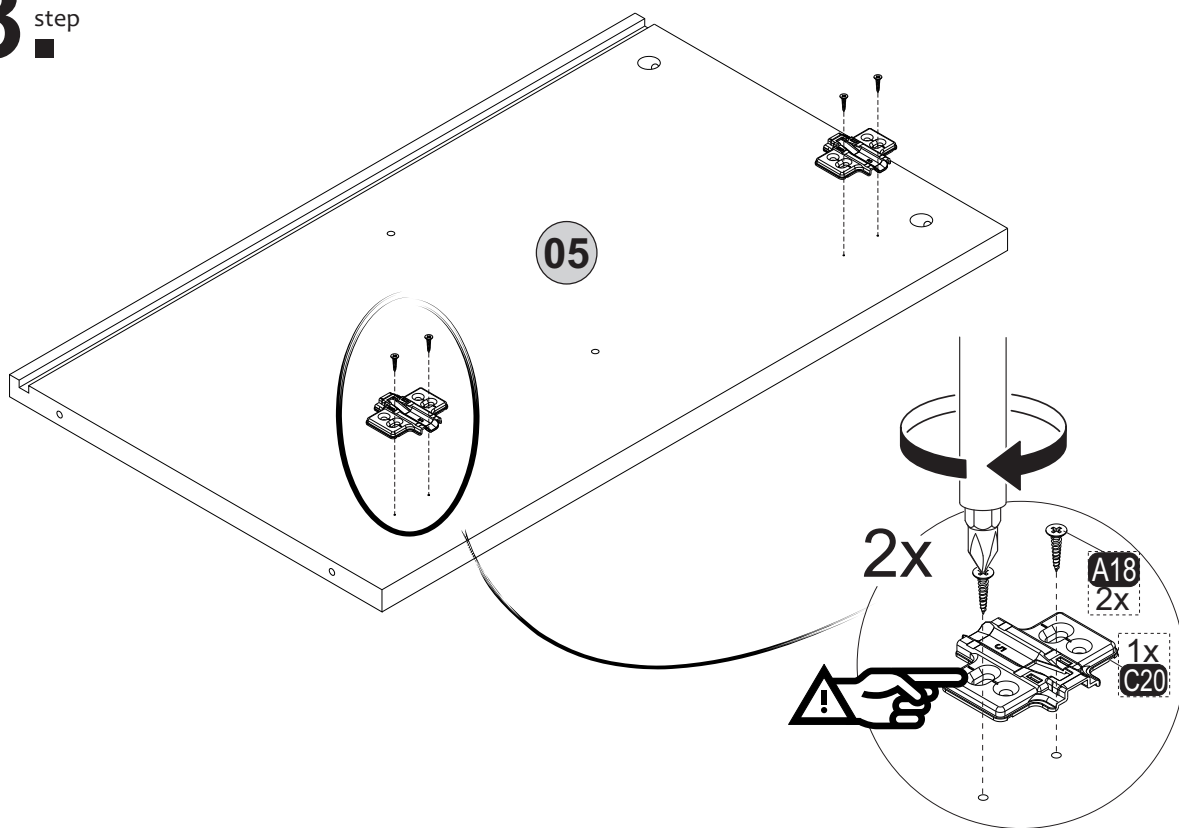
Rotate



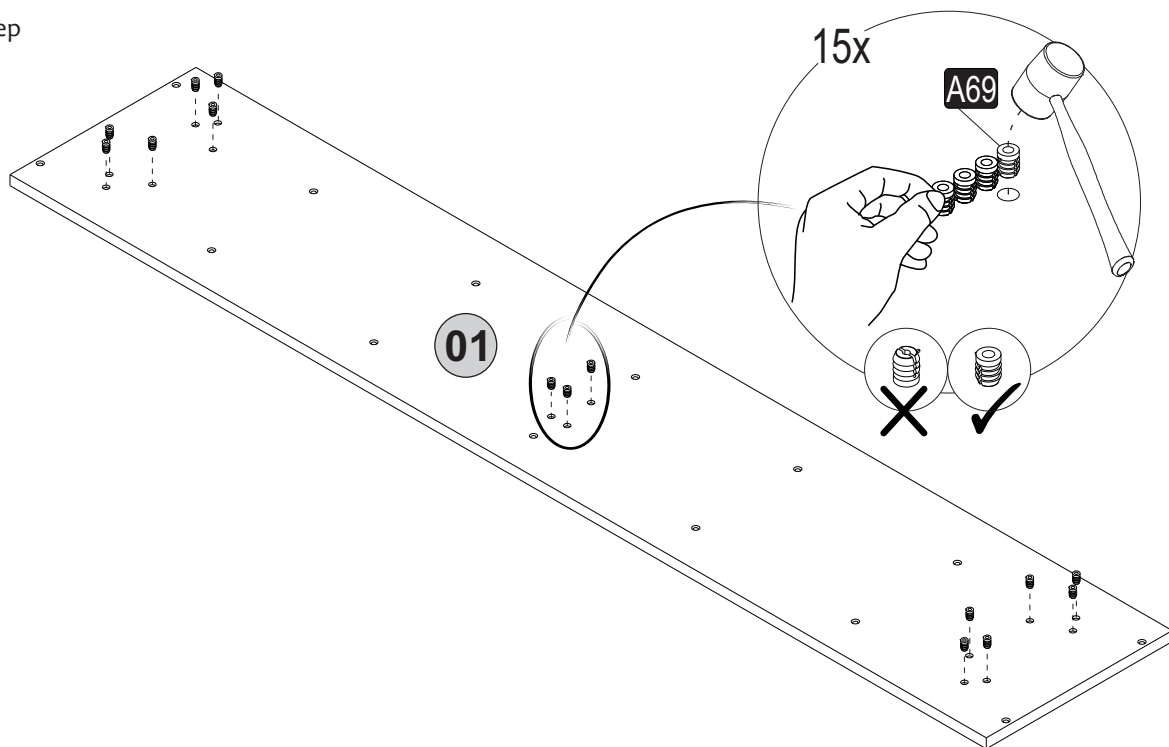
2^{step}



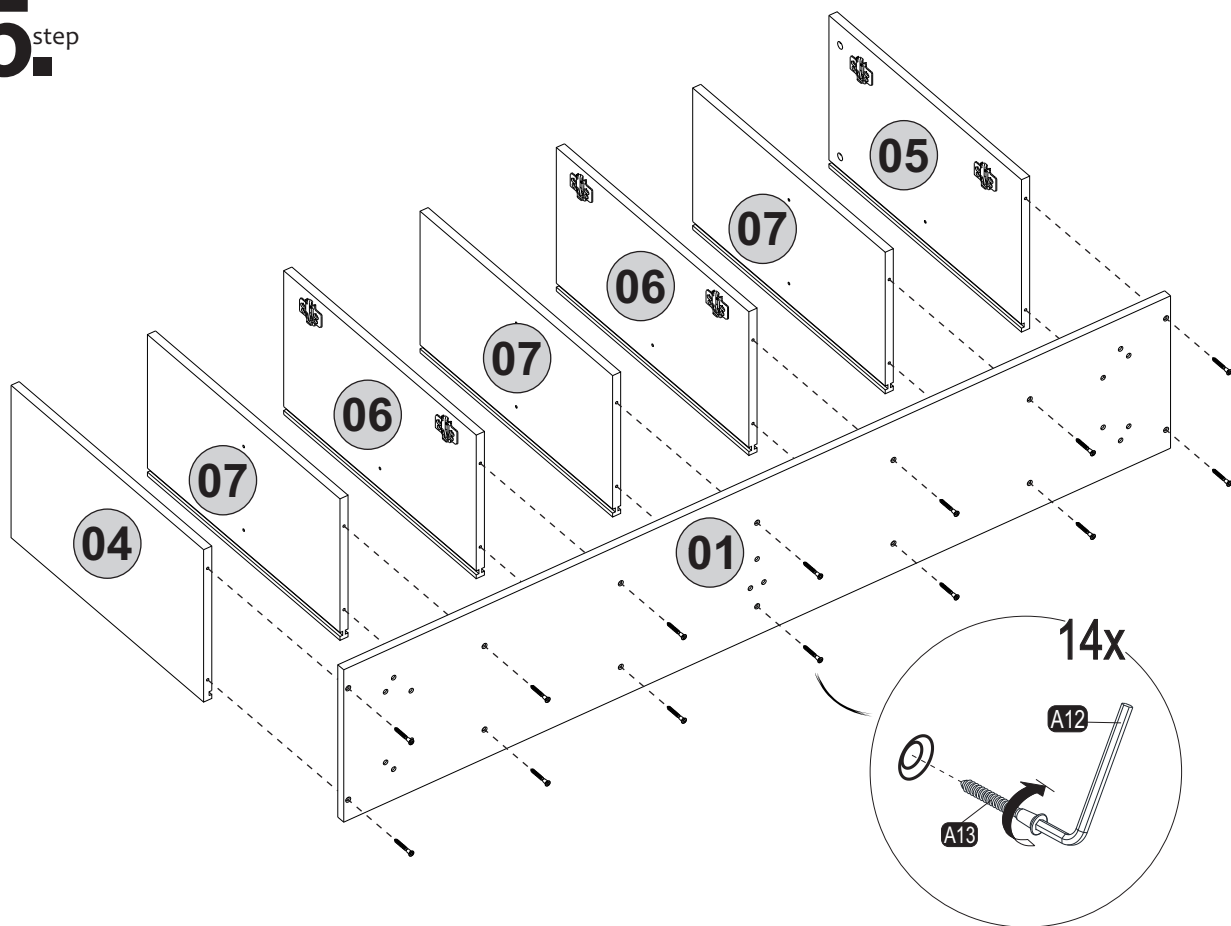
3^{step}



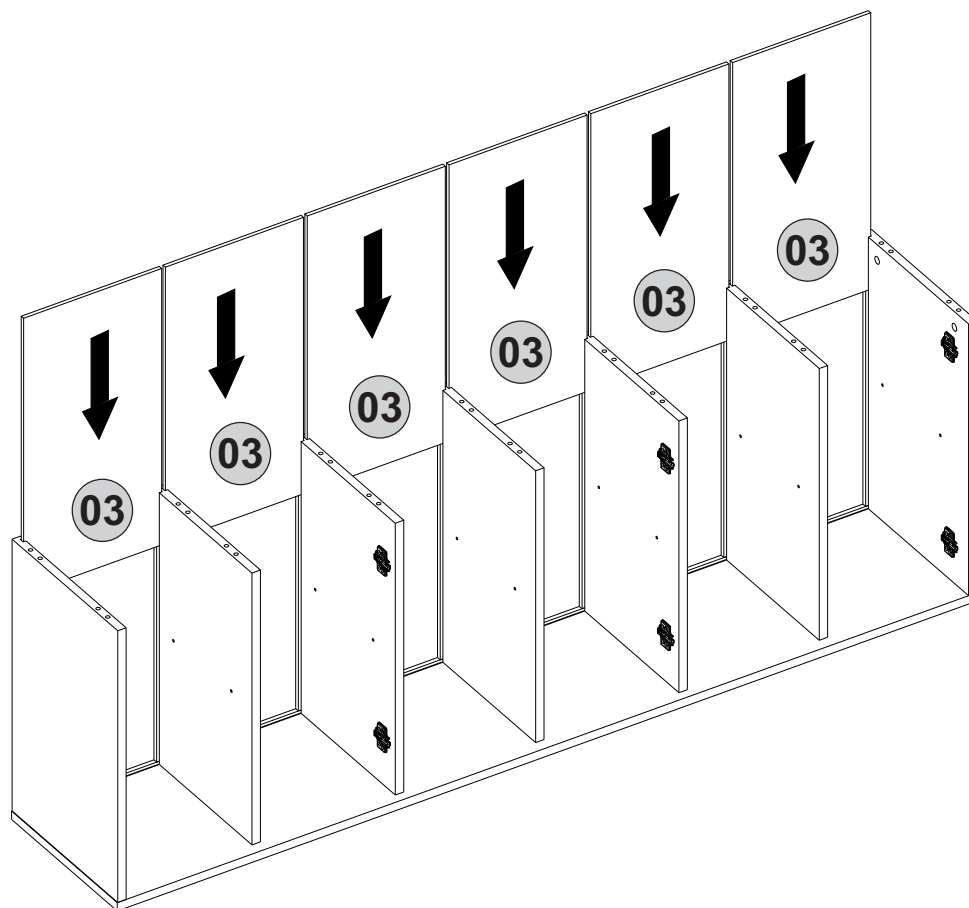
4._{step}



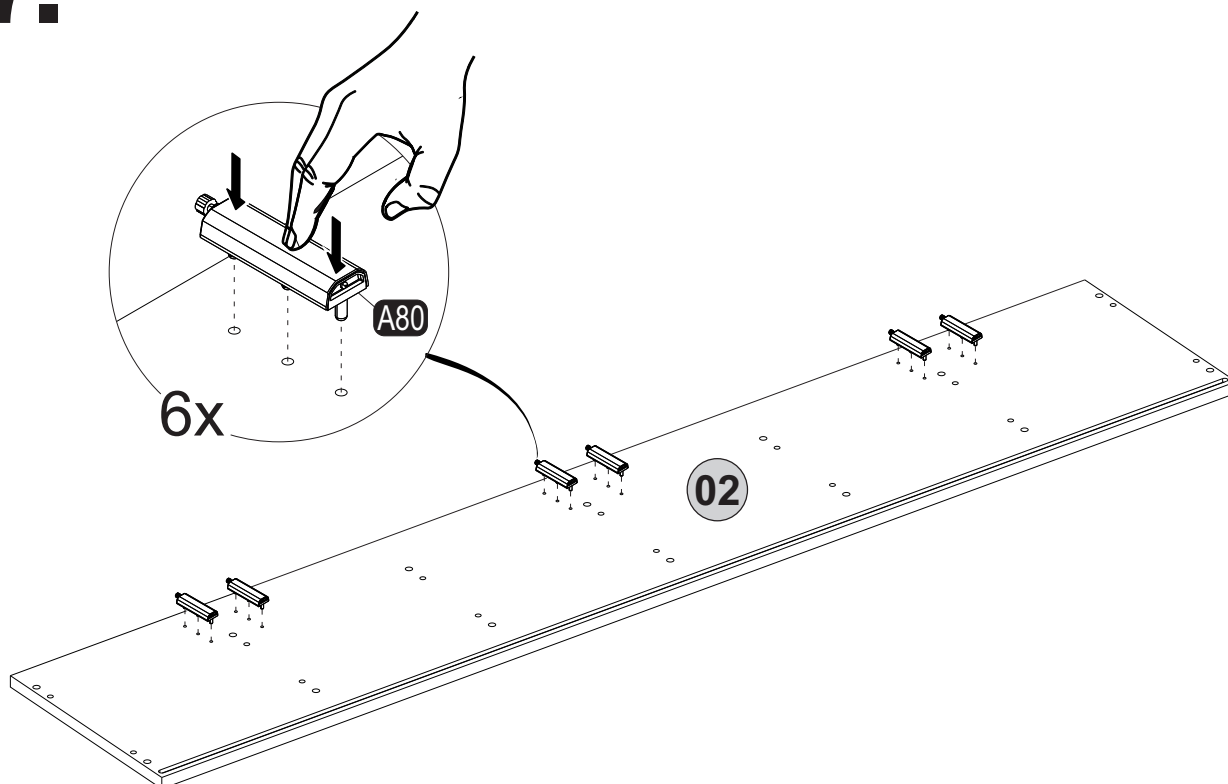
5._{step}



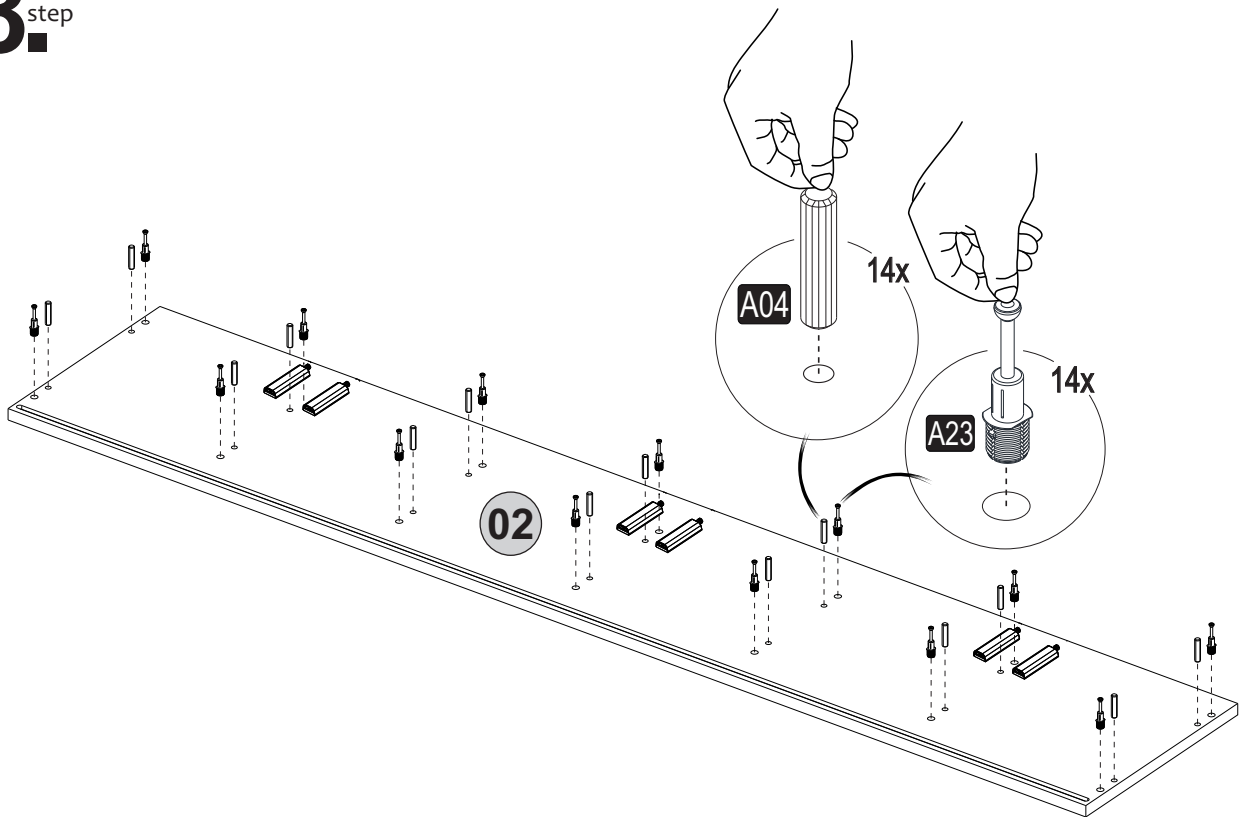
6^{step}



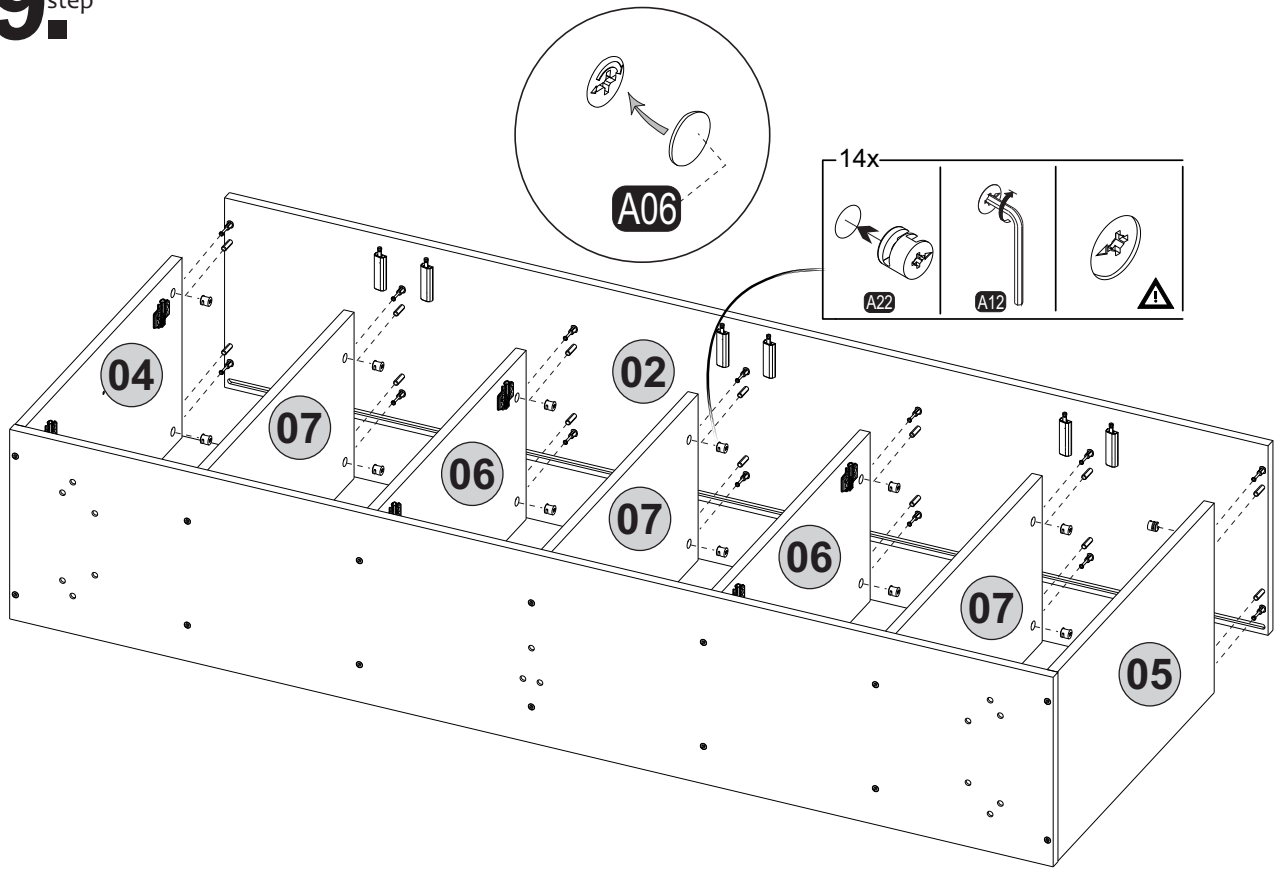
7^{step}



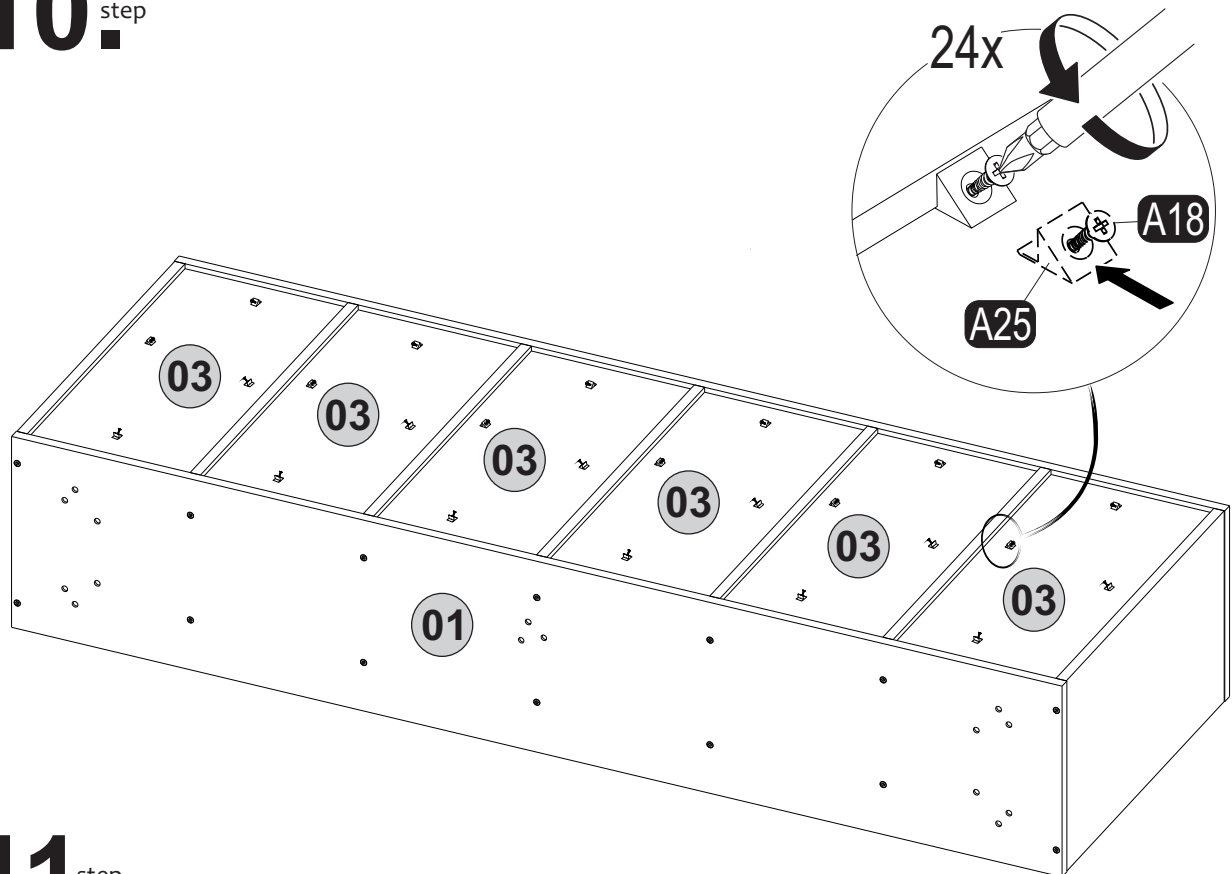
8.^{step}



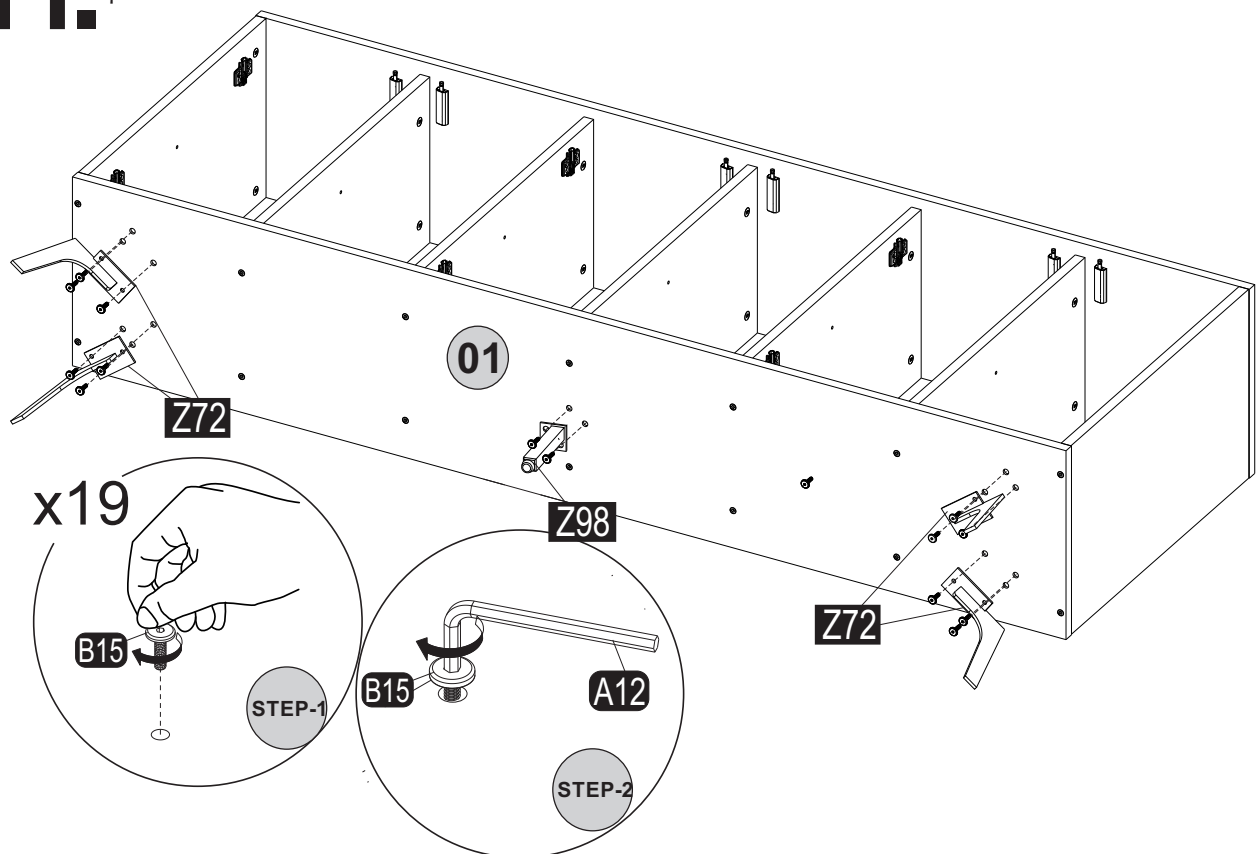
9.^{step}



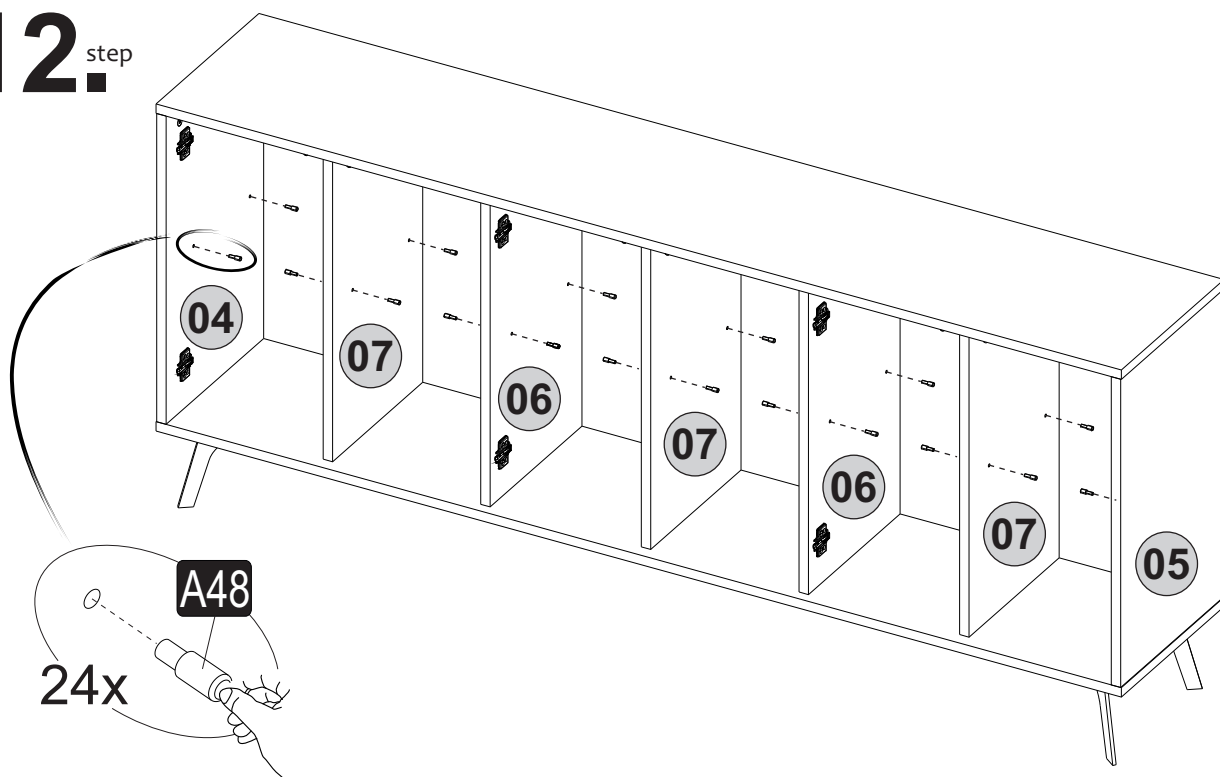
10^{step}



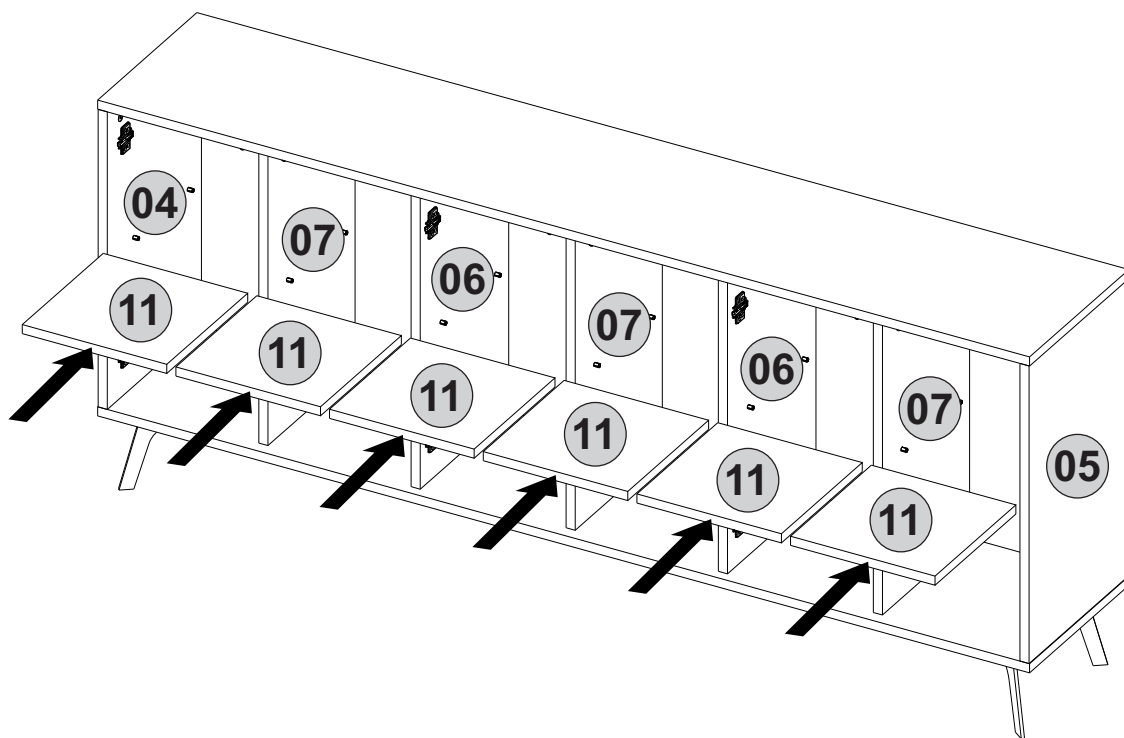
11^{step}



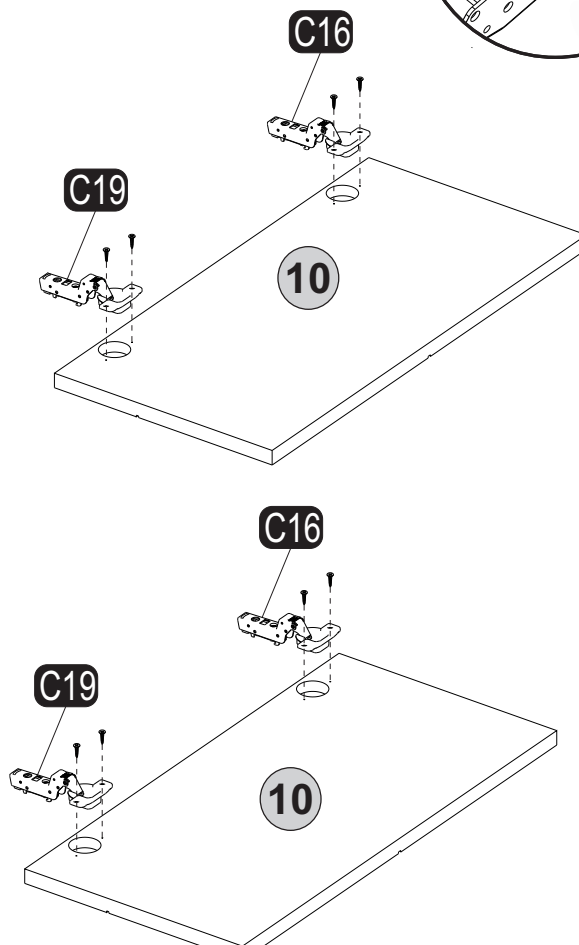
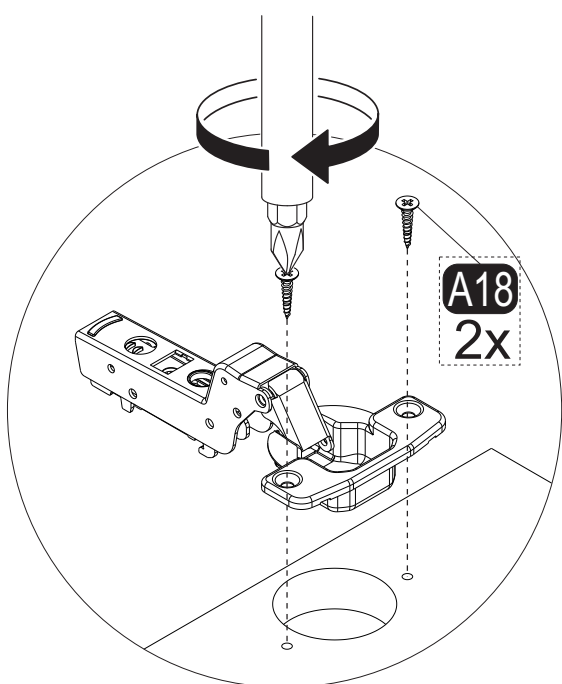
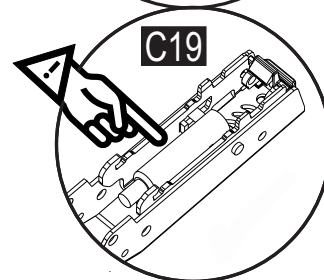
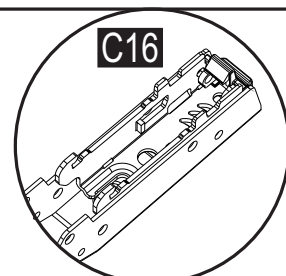
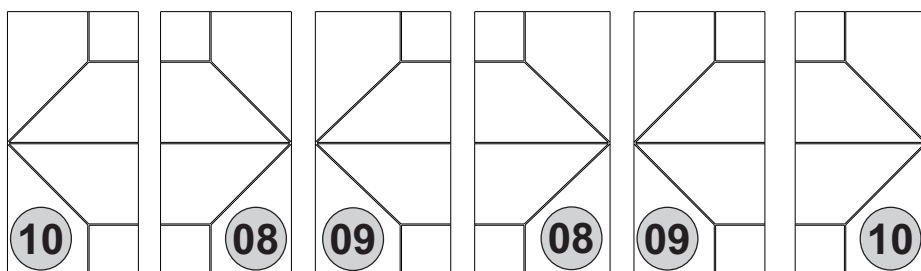
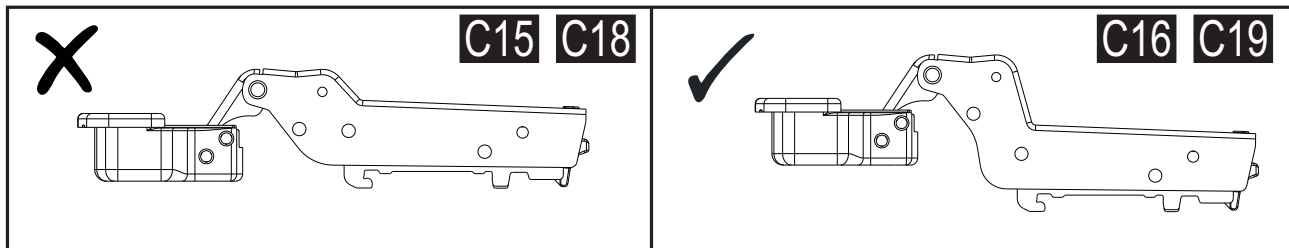
12.^{step}



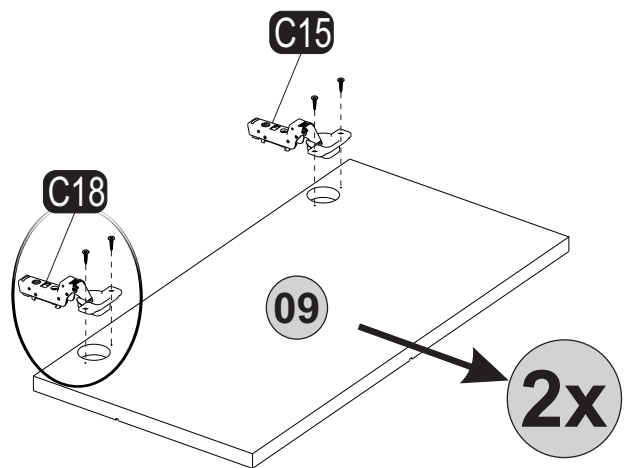
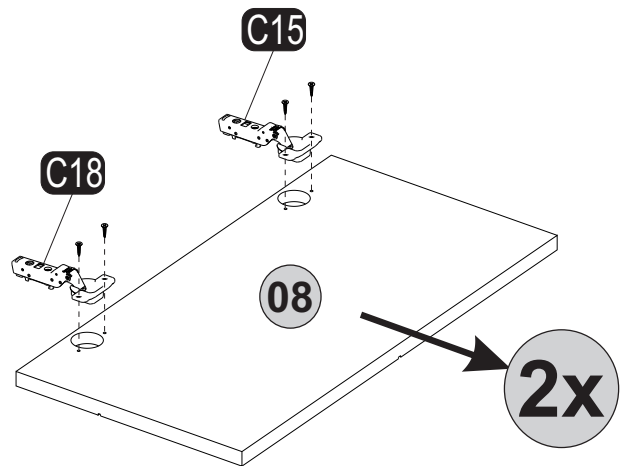
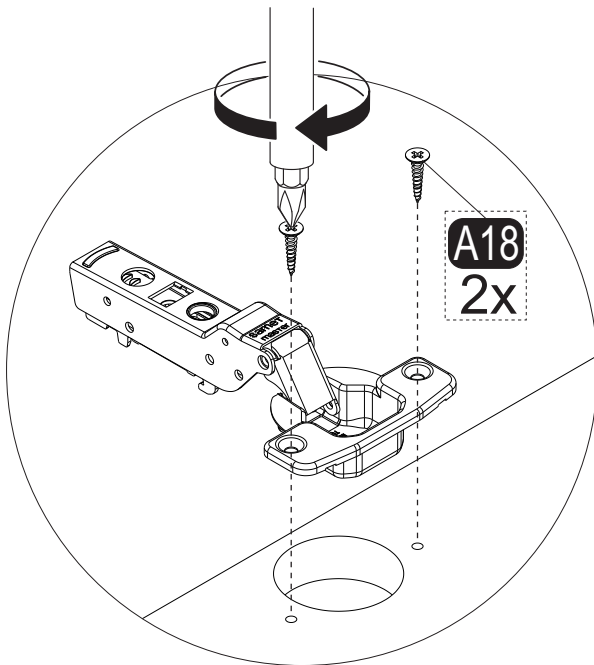
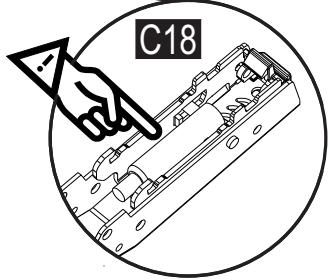
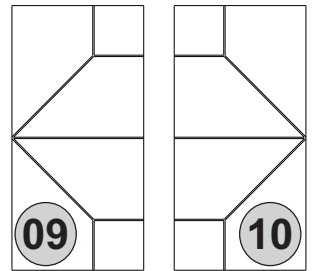
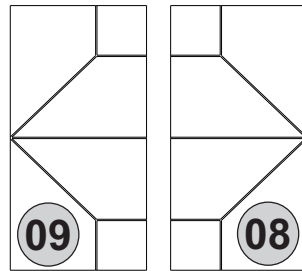
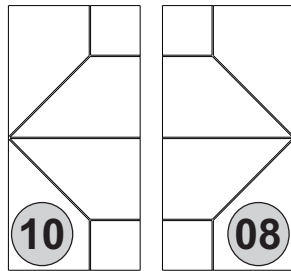
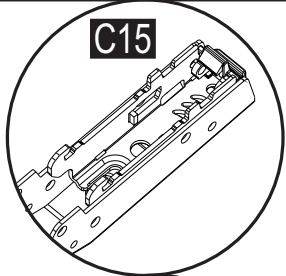
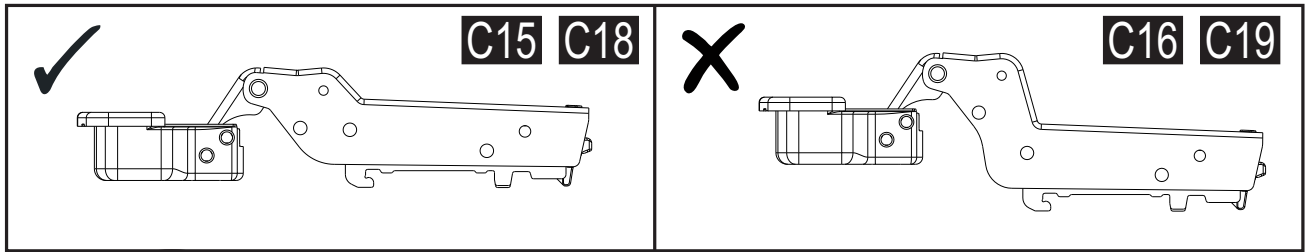
13.^{step}



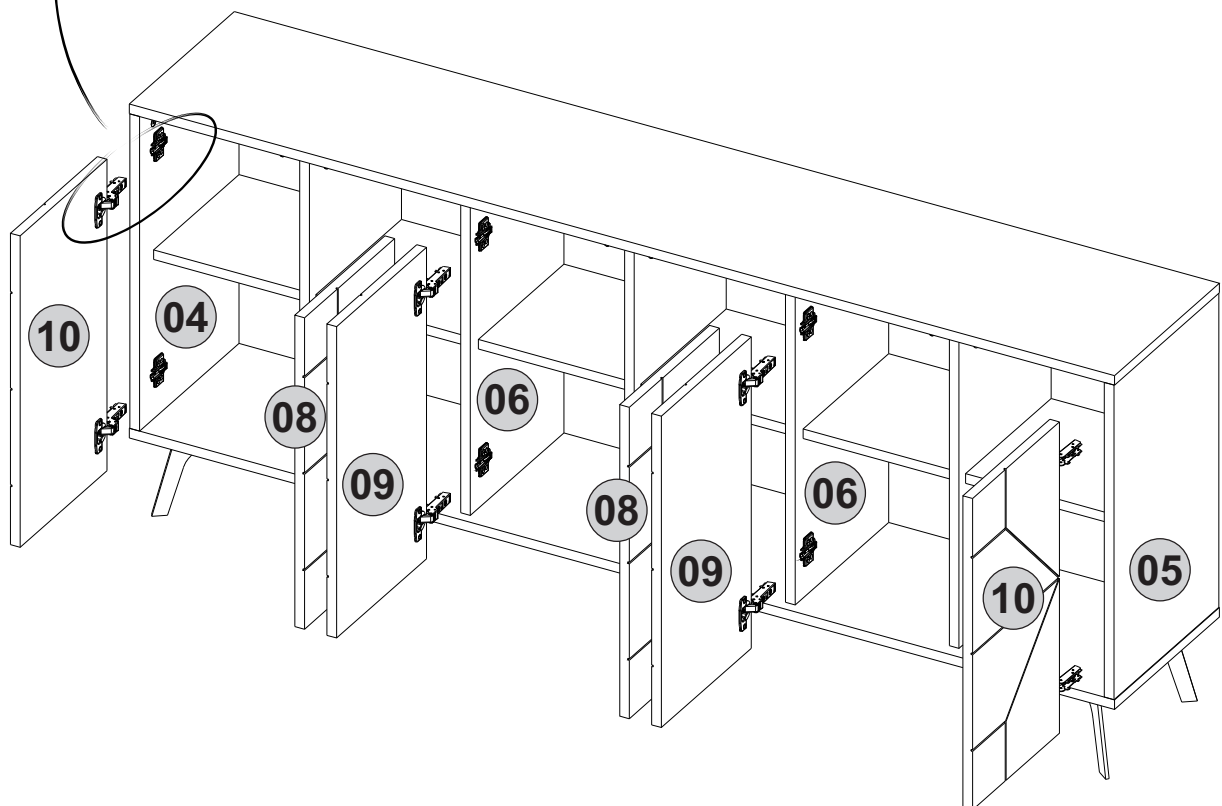
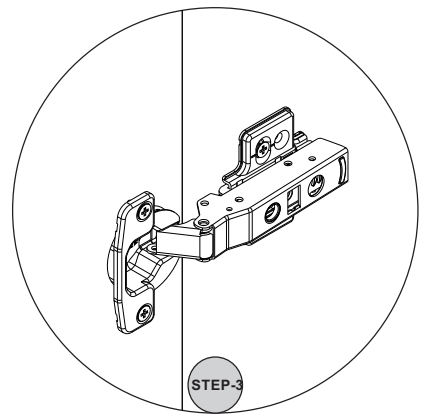
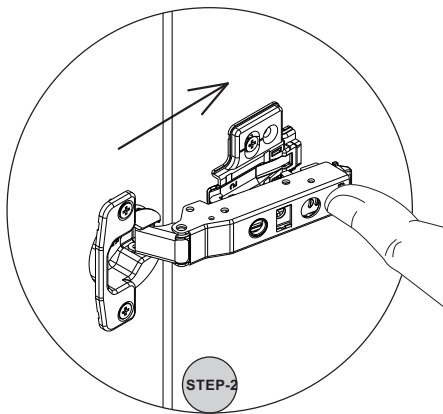
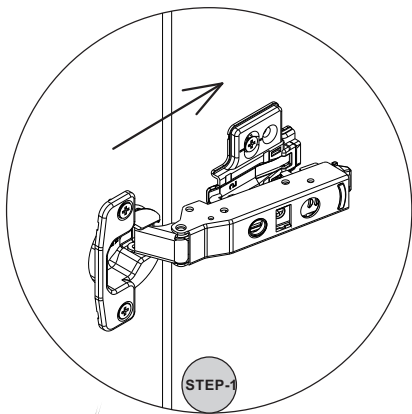
14.^{step}



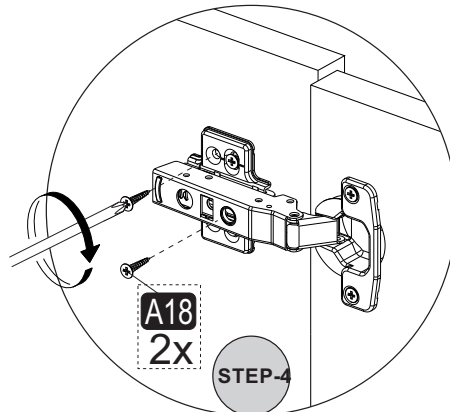
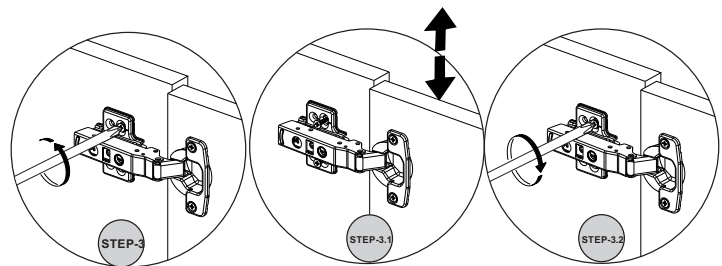
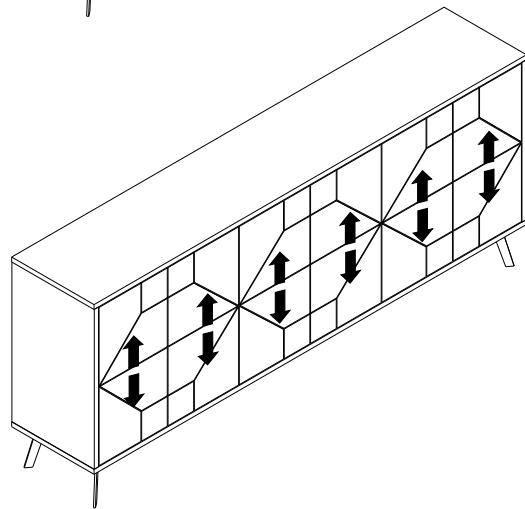
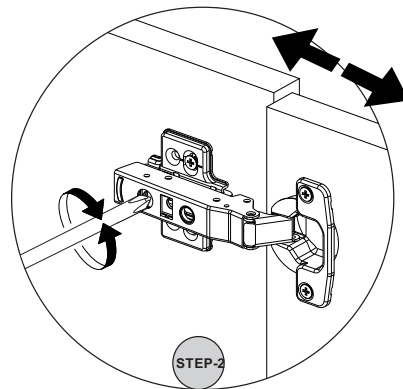
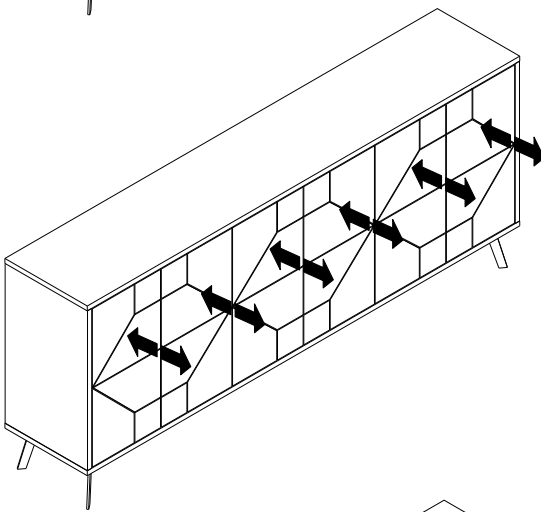
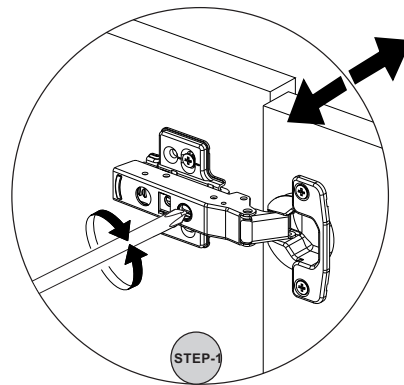
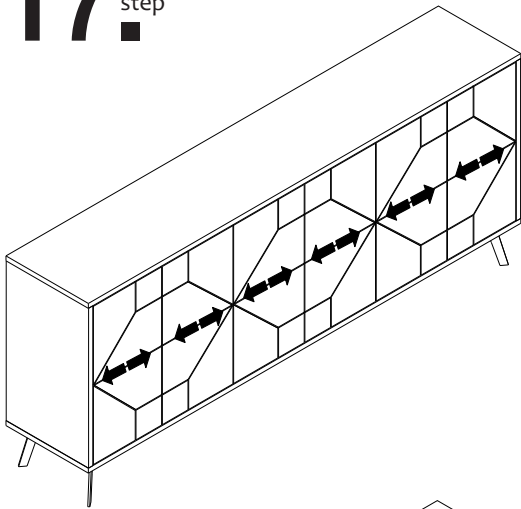
15.^{step}



16.^{step}



17. step



18.^{step}

