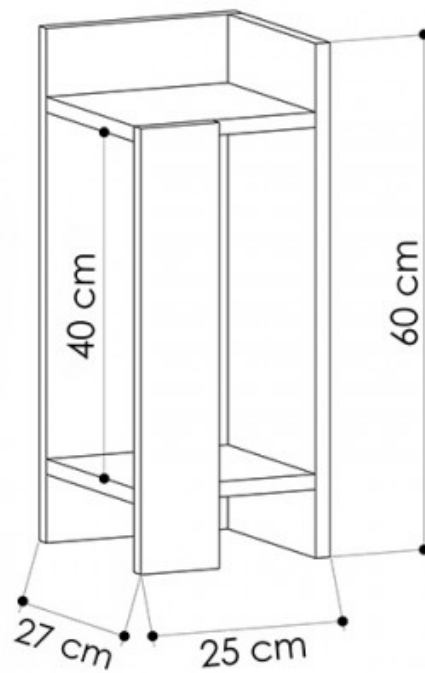
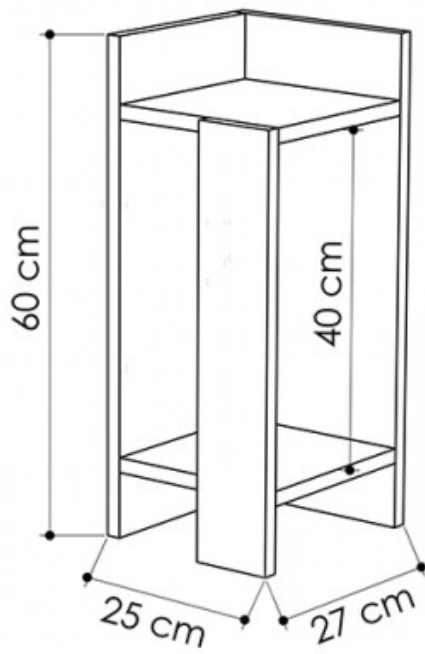
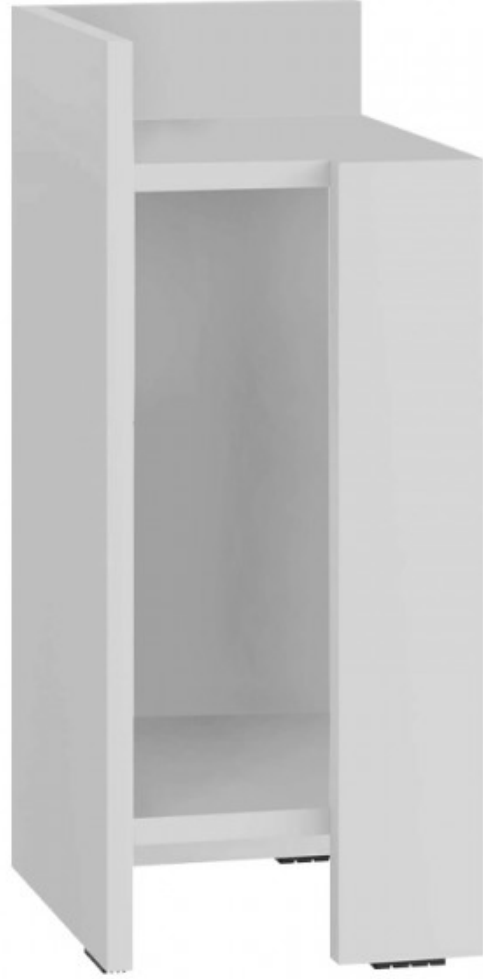
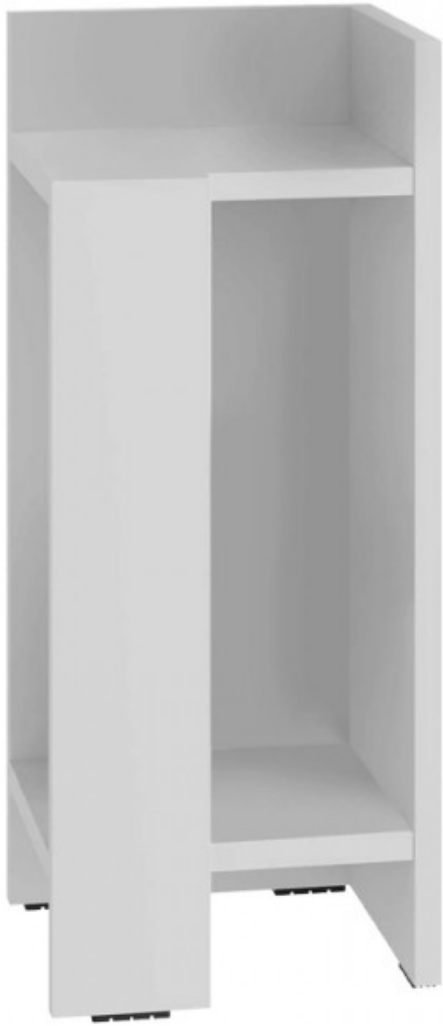
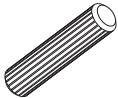

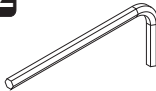
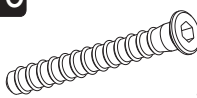
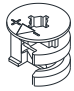
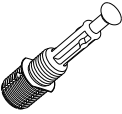
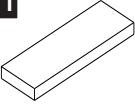
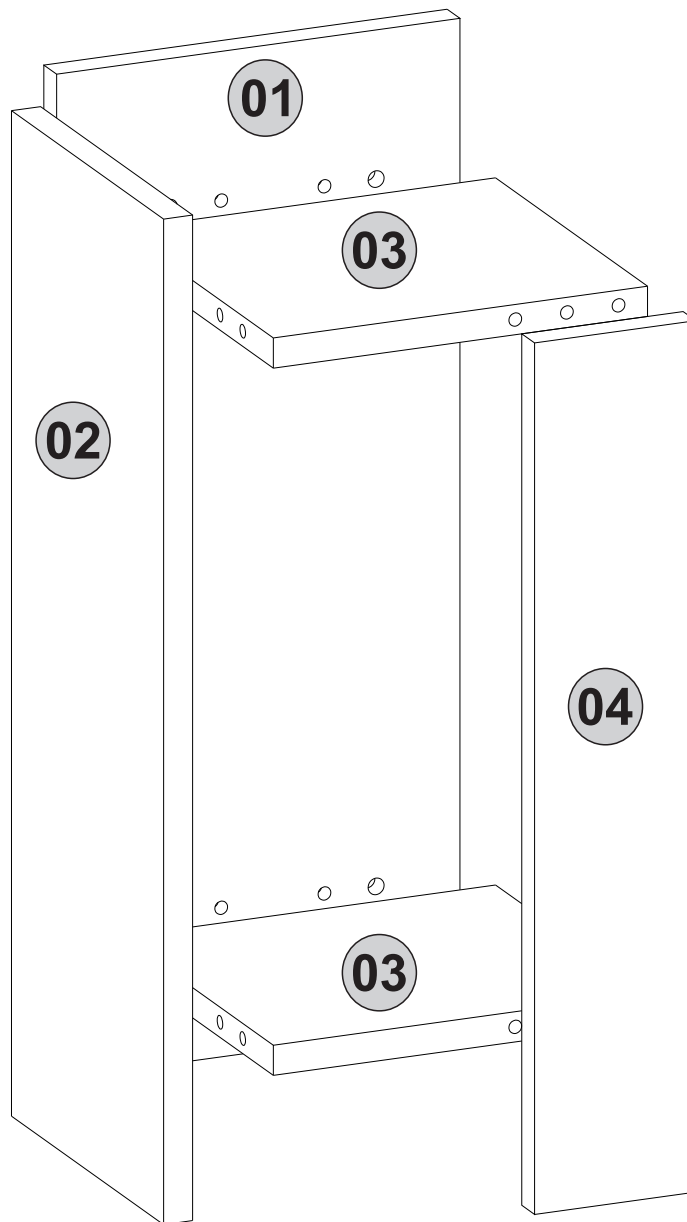




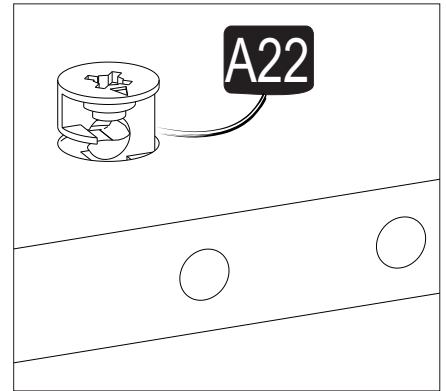
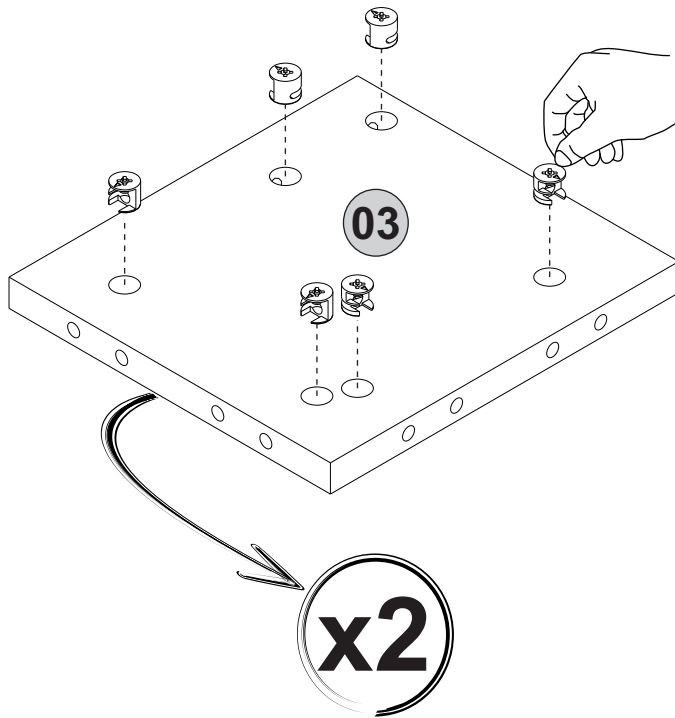
# GP037-0070,4



<b>A04</b>  <b>10x</b>	<b>A06</b> 18mm  <b>C1-15x</b>	<b>A12</b> Minifix k18  <b>1x</b>	<b>A13</b> 50mm  <b>3x</b>	<b>A22</b>  <b>12x</b>
<b>A23</b>  <b>12x</b>	<b>PB01</b> Kece  <b>4x</b>			

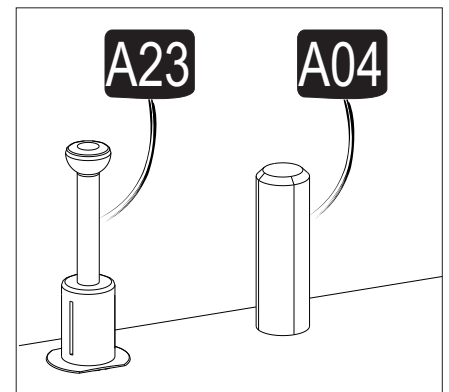
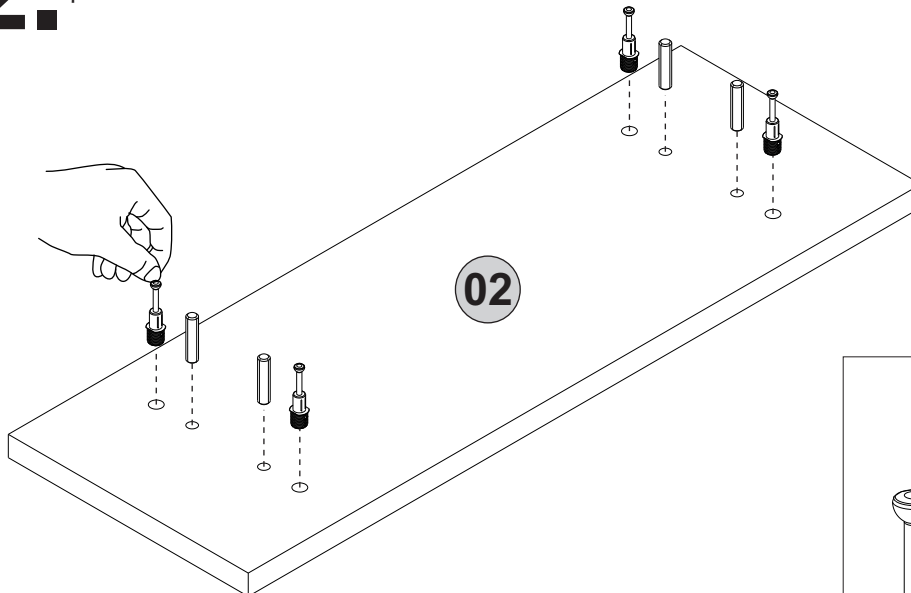


# 1. step

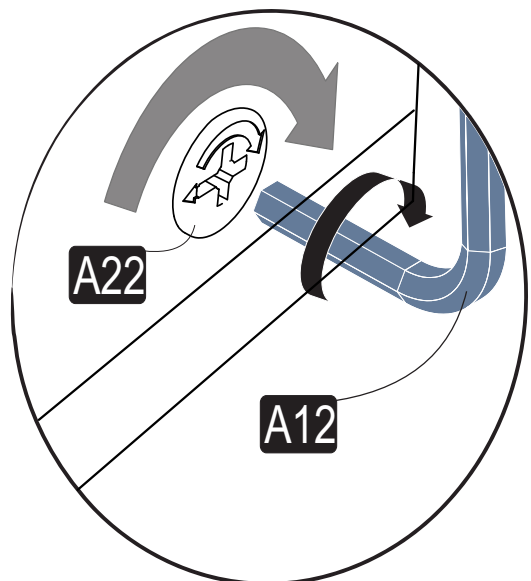
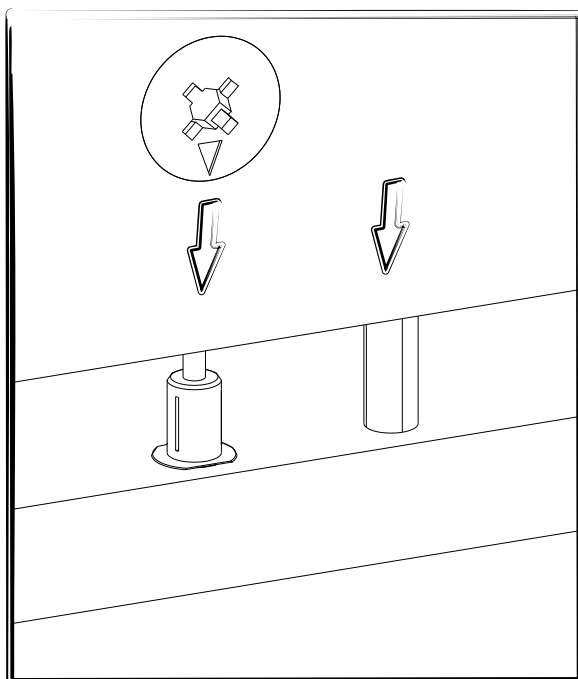
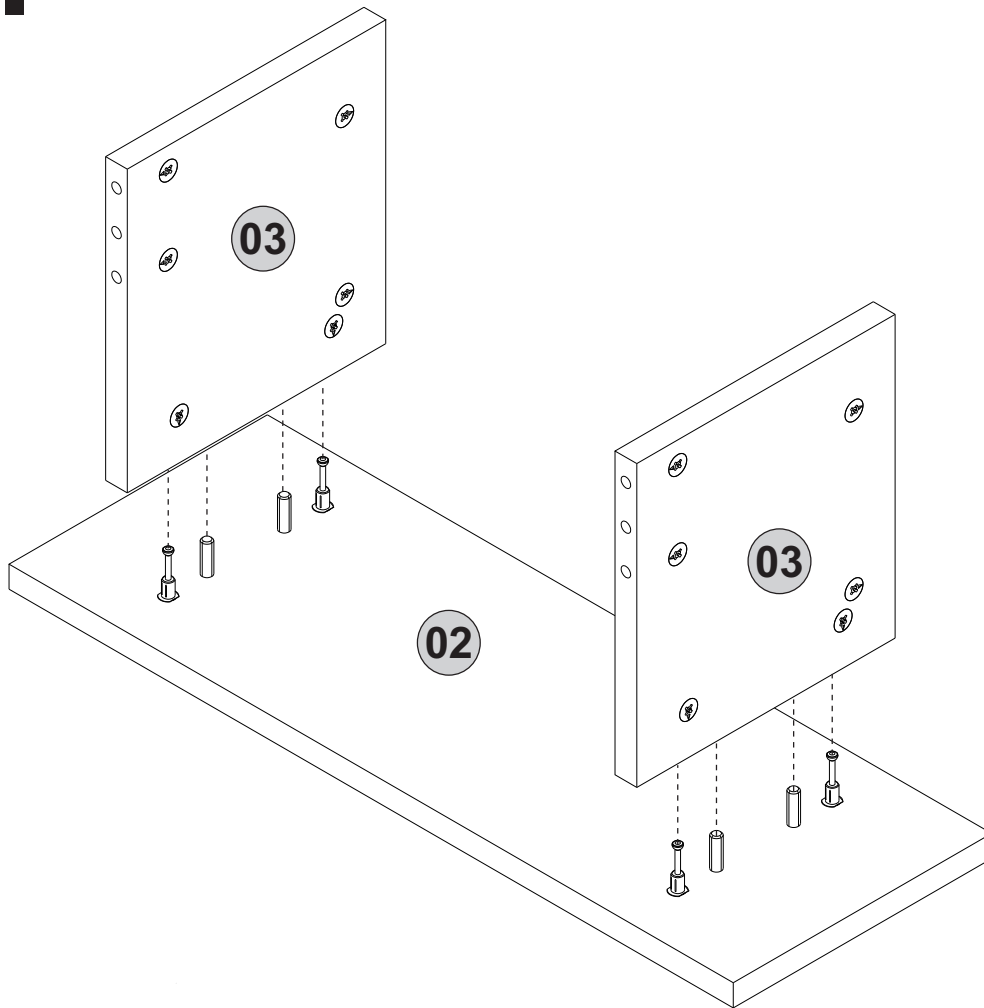


---

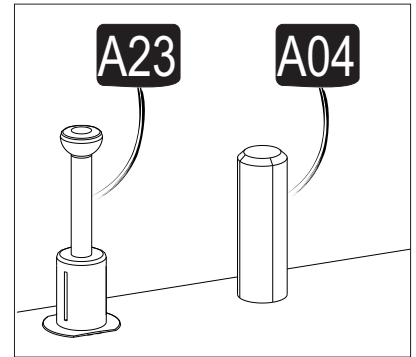
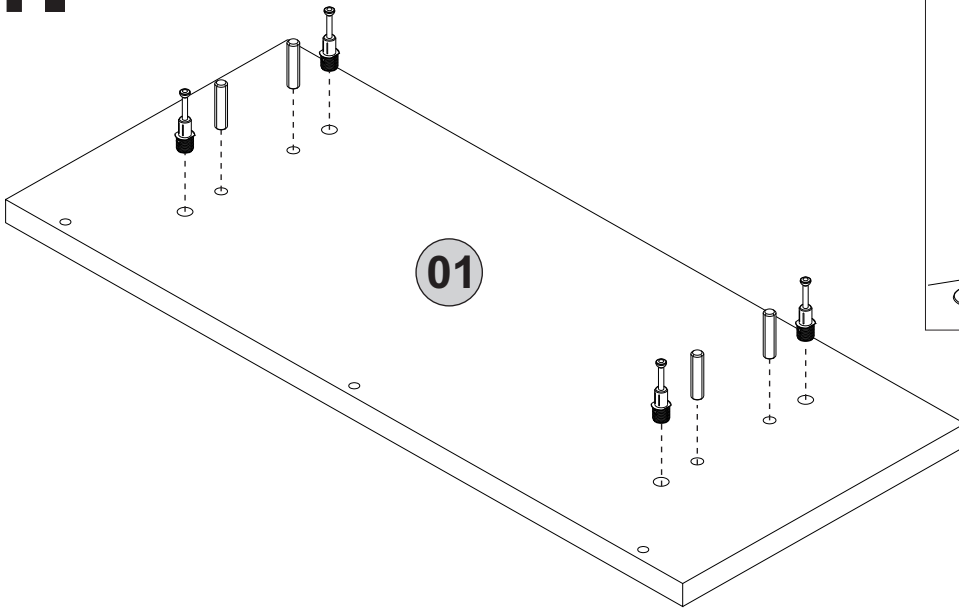
# 2. step



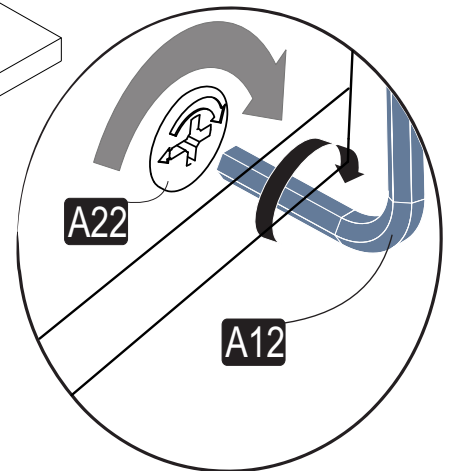
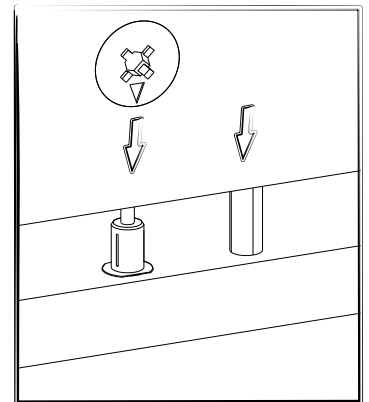
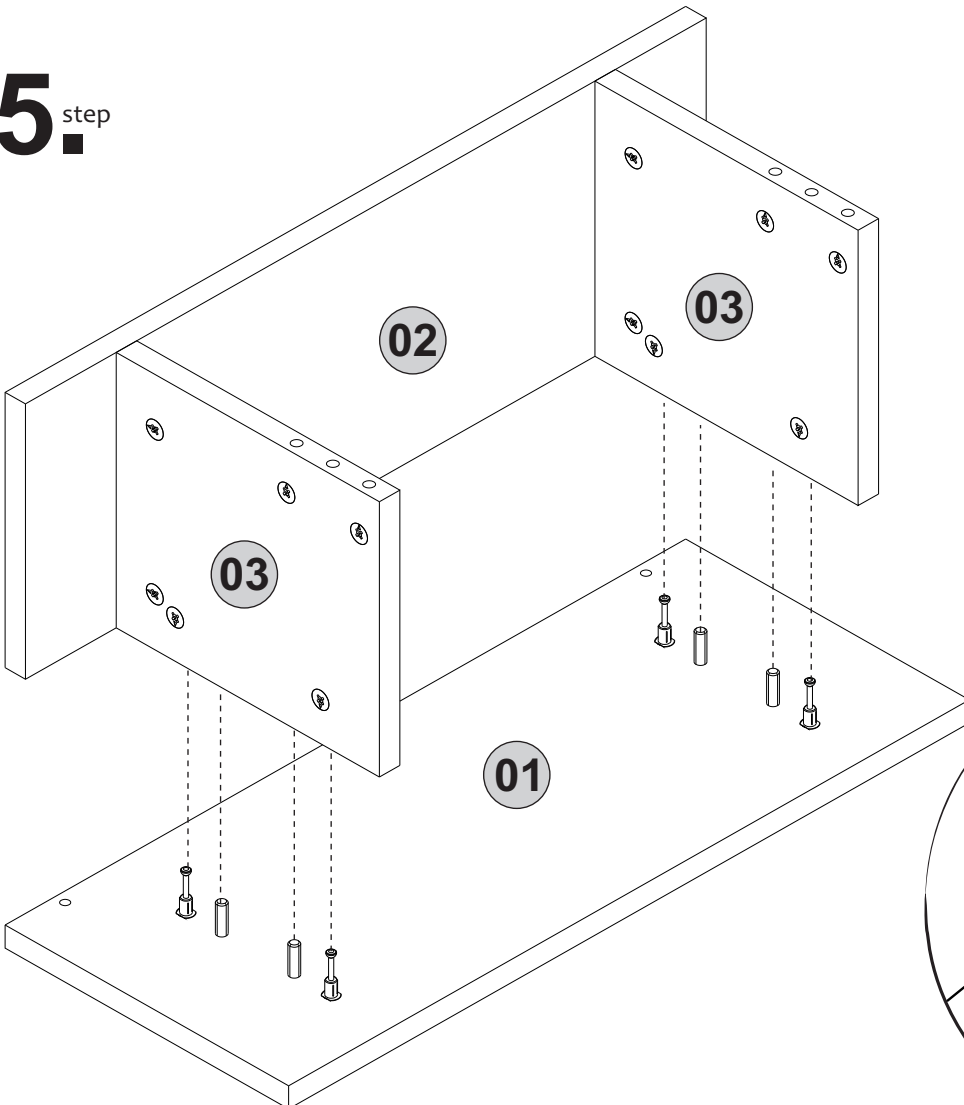
**3** step



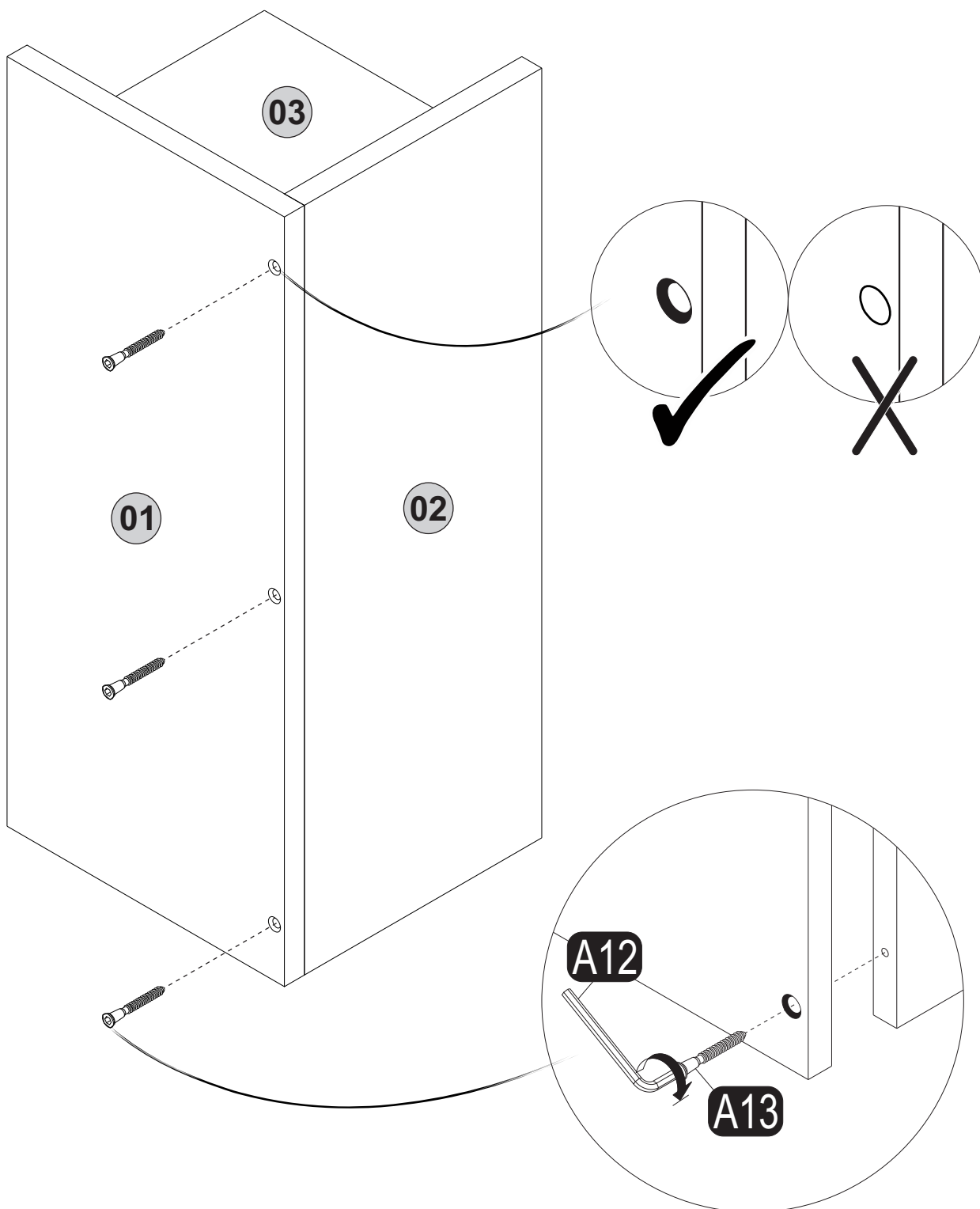
# 4.<sup>step</sup>



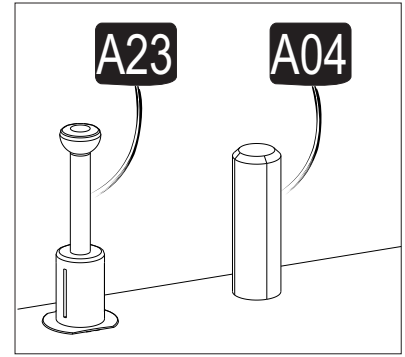
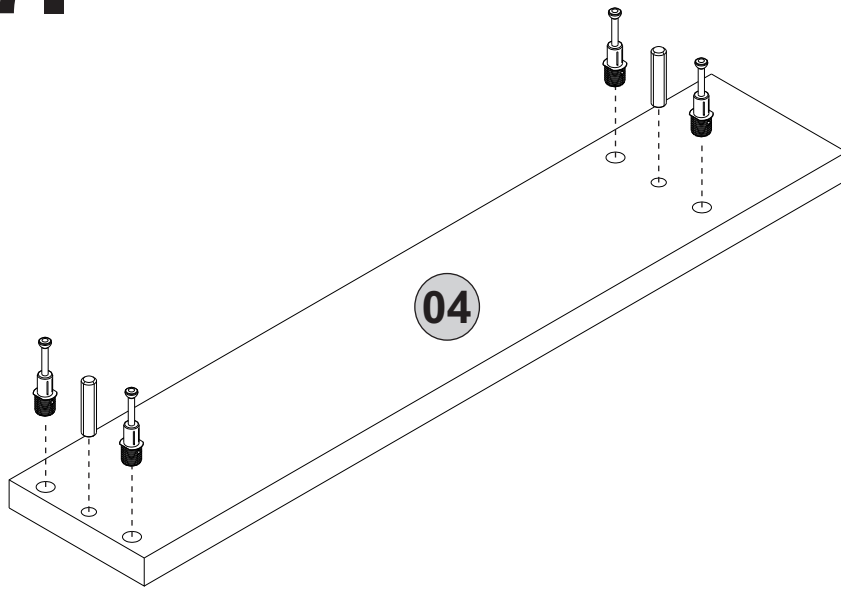
# 5.<sup>step</sup>



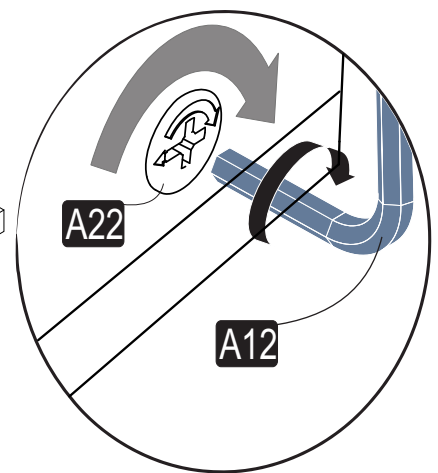
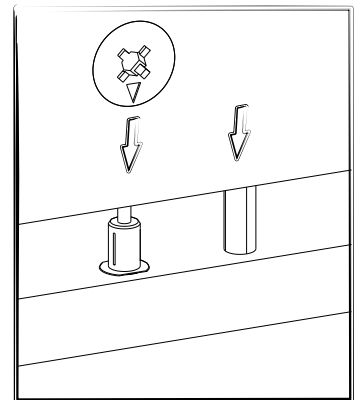
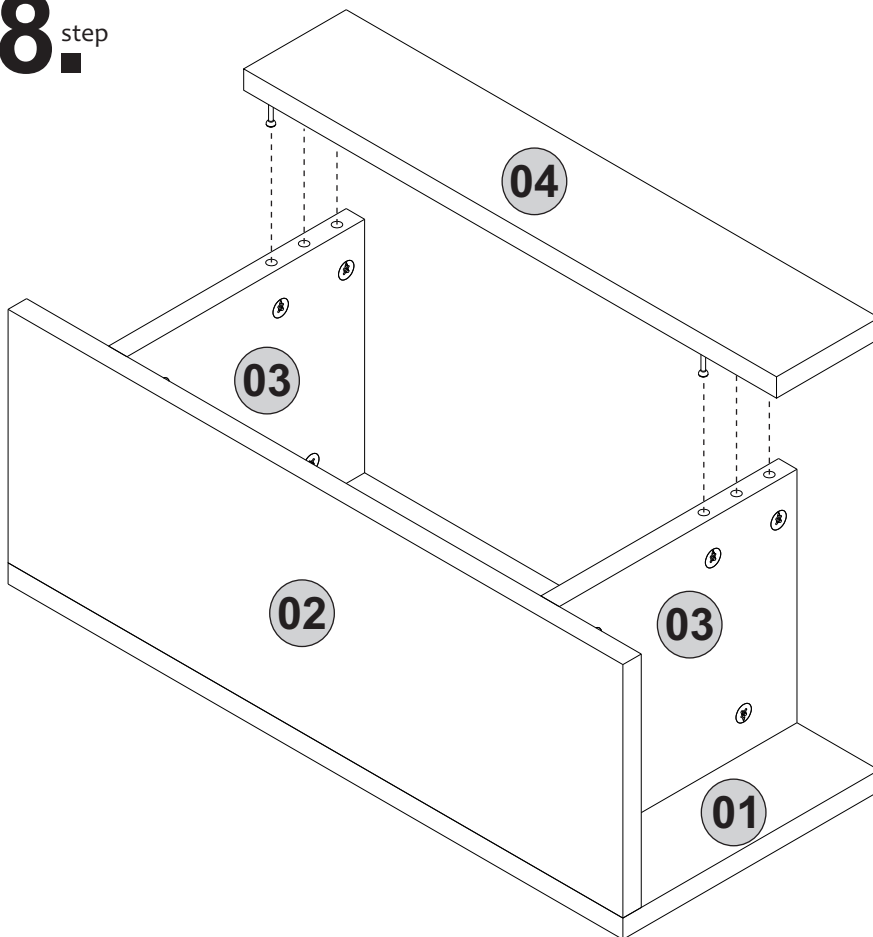
# 6<sup>step</sup>



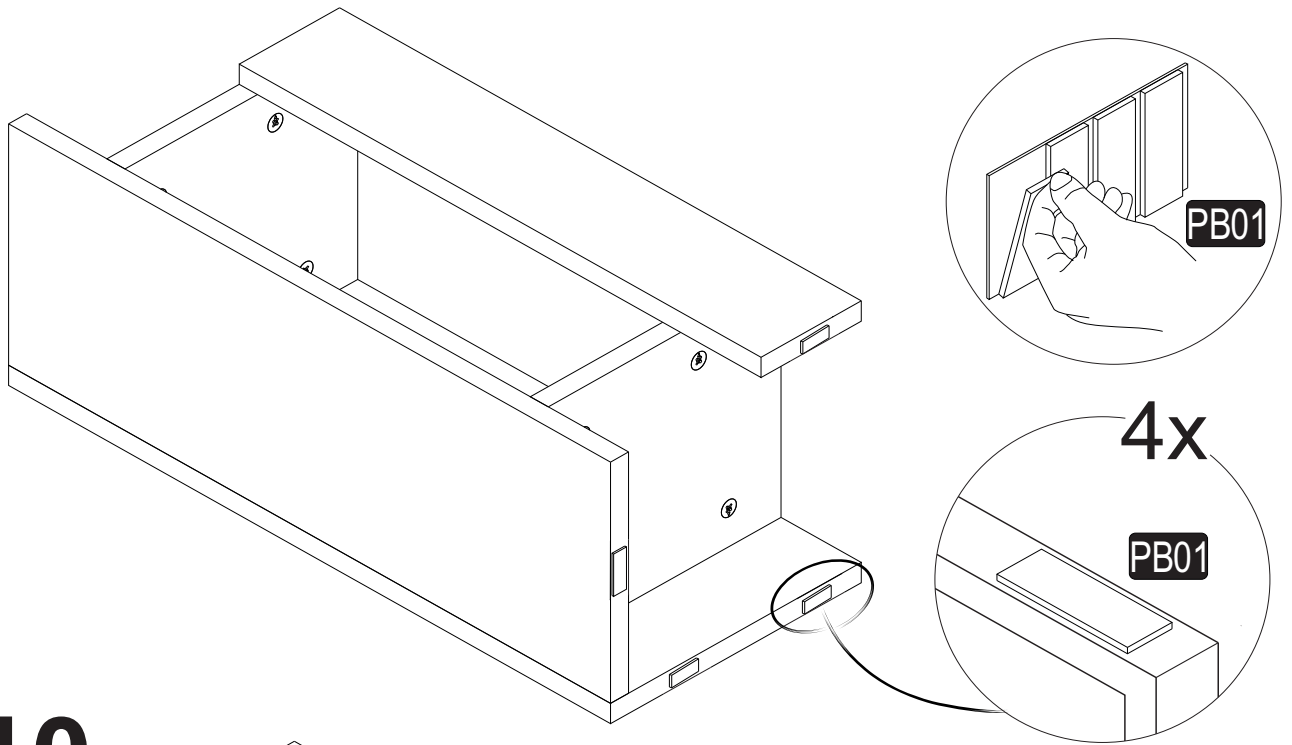
# 7<sup>step</sup>



# 8<sup>step</sup>



**9.**step



**10.**step

