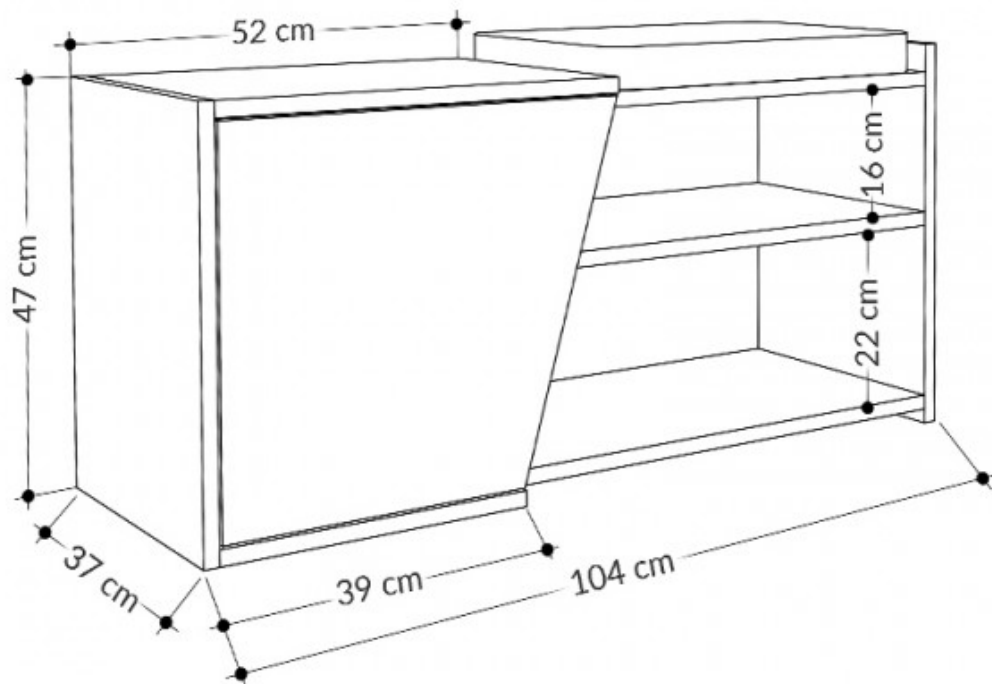
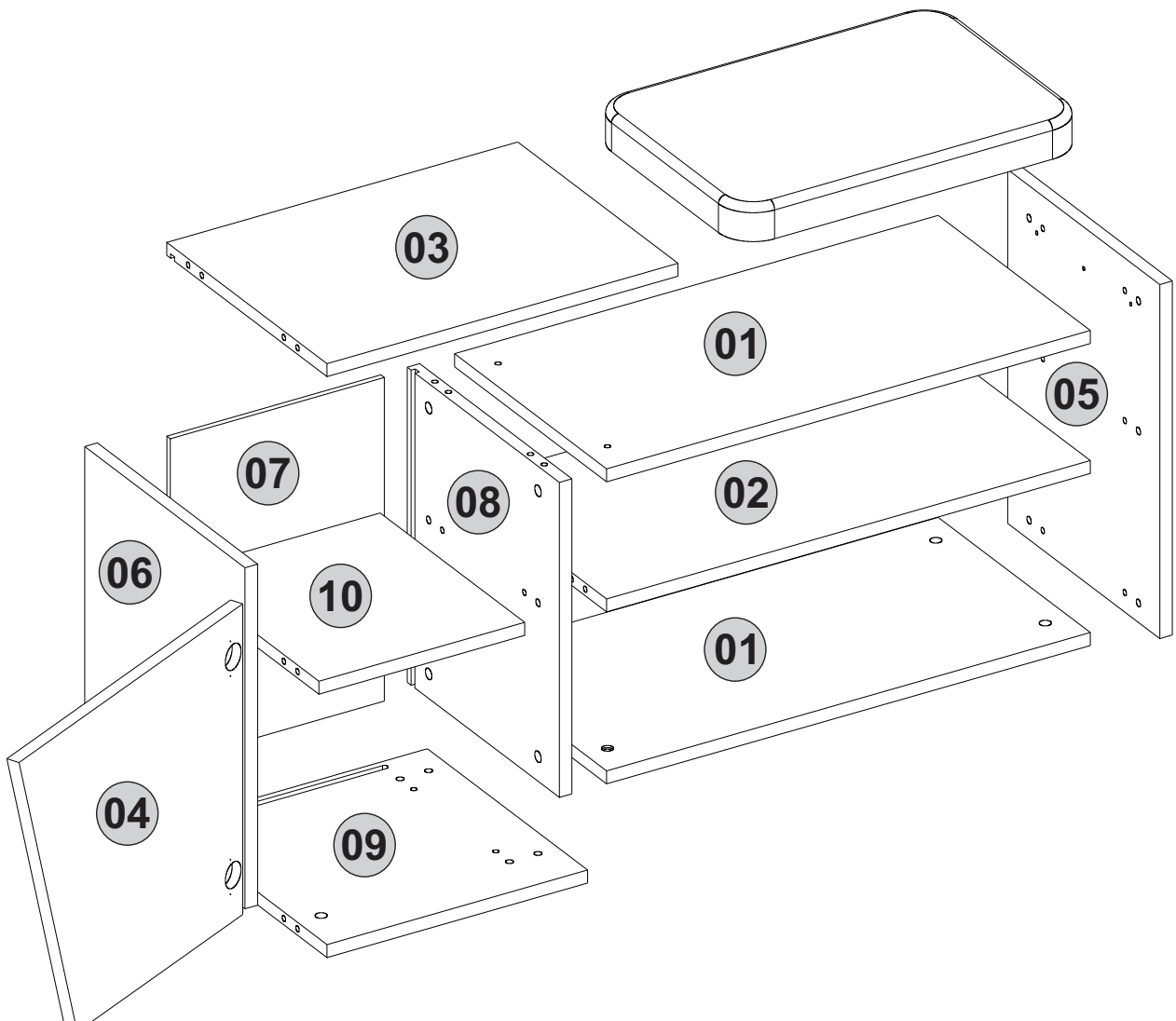


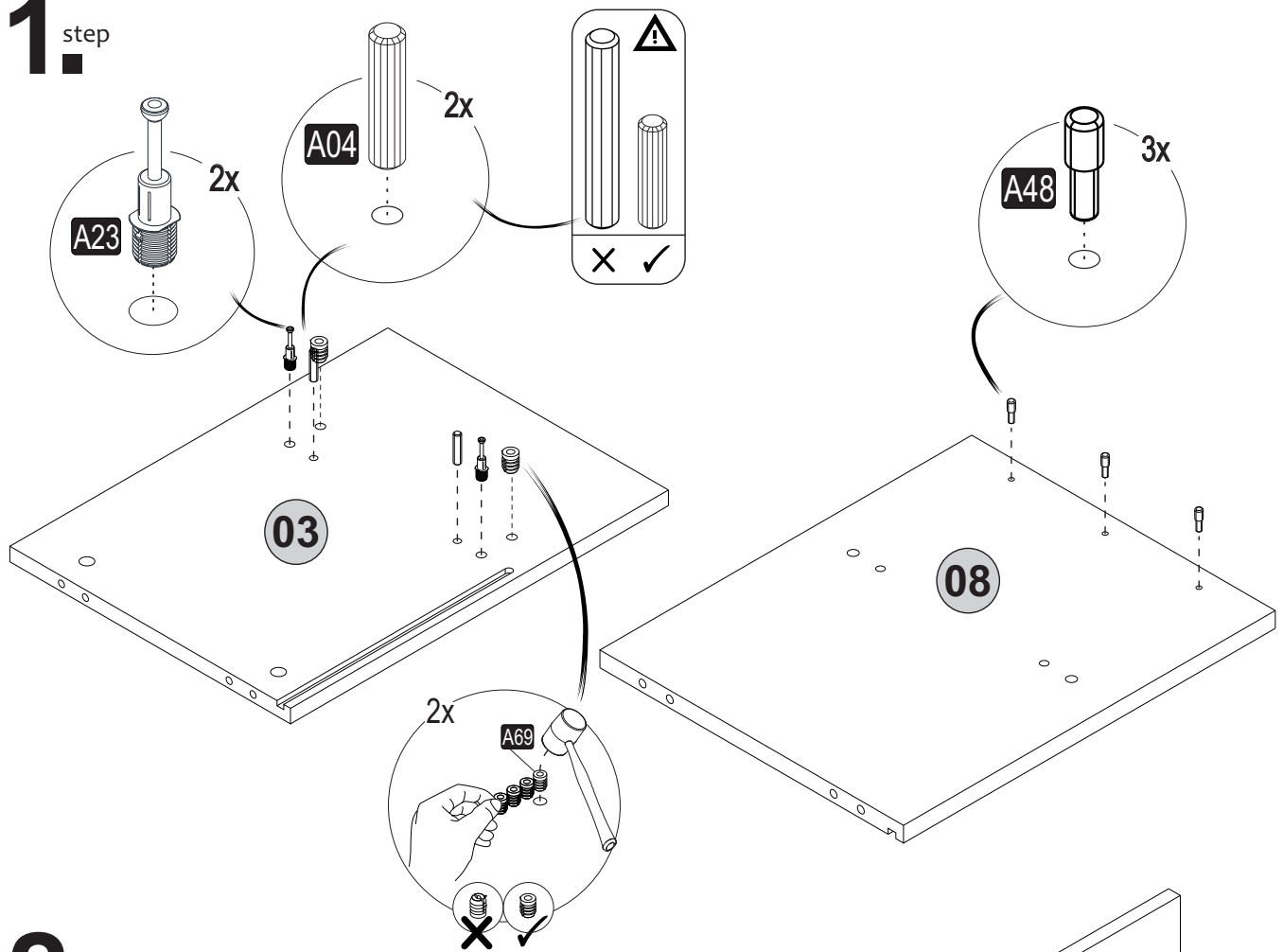
i GP037-0072,2



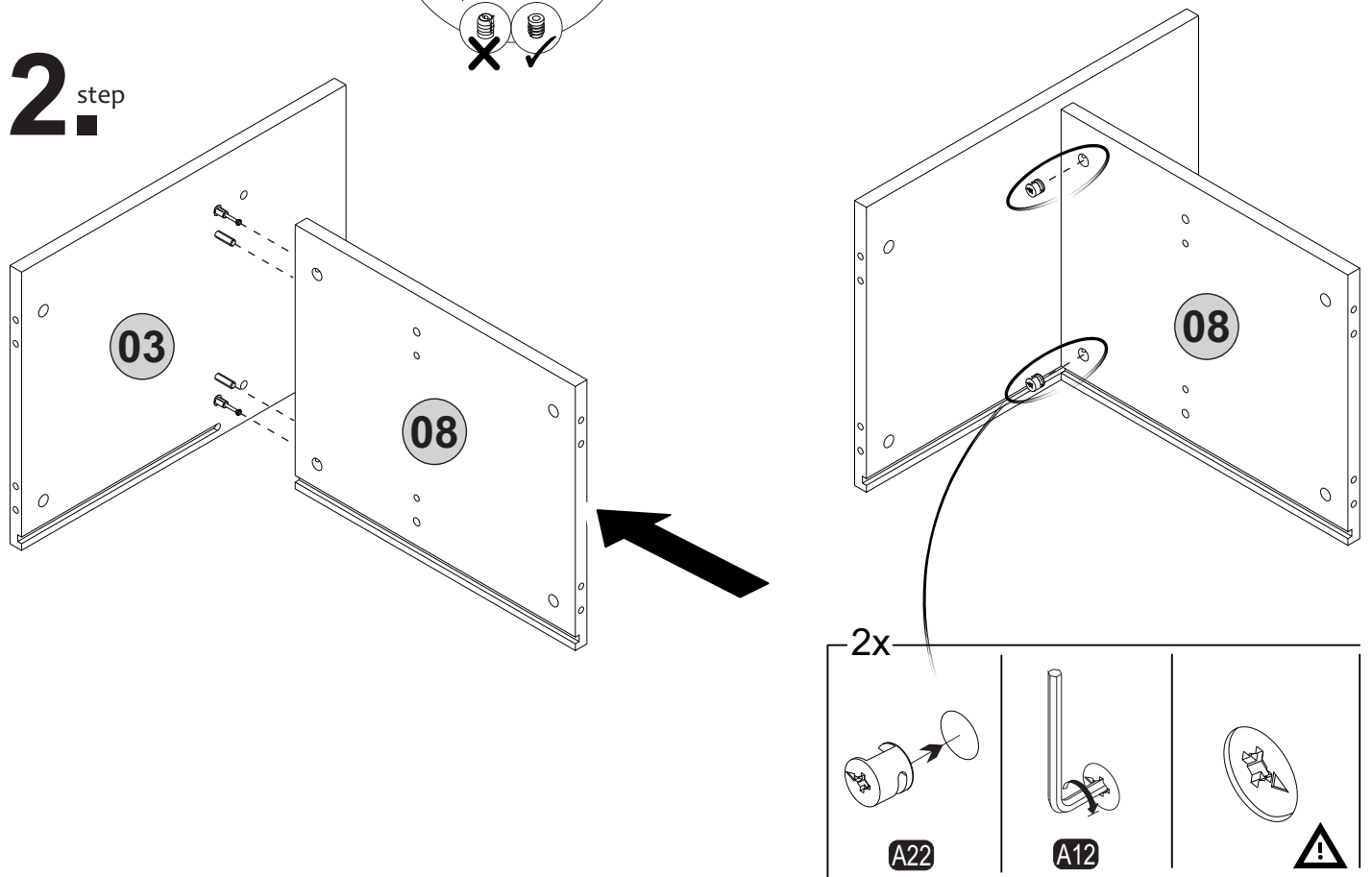
| | | | | |
|----------------------------------|---------------------------------------|----------------------------|-----------------------------|------------------------------|
| A04 Ø8 16x | A06 18mm C1-16x C2-8x | A12 Allen 1x | A14 DFM6-86 2x | A18 3,5x18 16x |
| A22 Minifix k18 20x | A23 Minifix M10 16x | A25 ARK.PL 4x | A41 Ø8 2x | A48 Raf Pimi 6x |
| A69 P.D. 4x | B03 25 mm 4x | C16 Sdb(S) 1x | C19 SdbF(S) 1x | C20 Mtk(S) 2x |
| Mattress 500x350x50 1x | PB01 Kece 6x | | | |



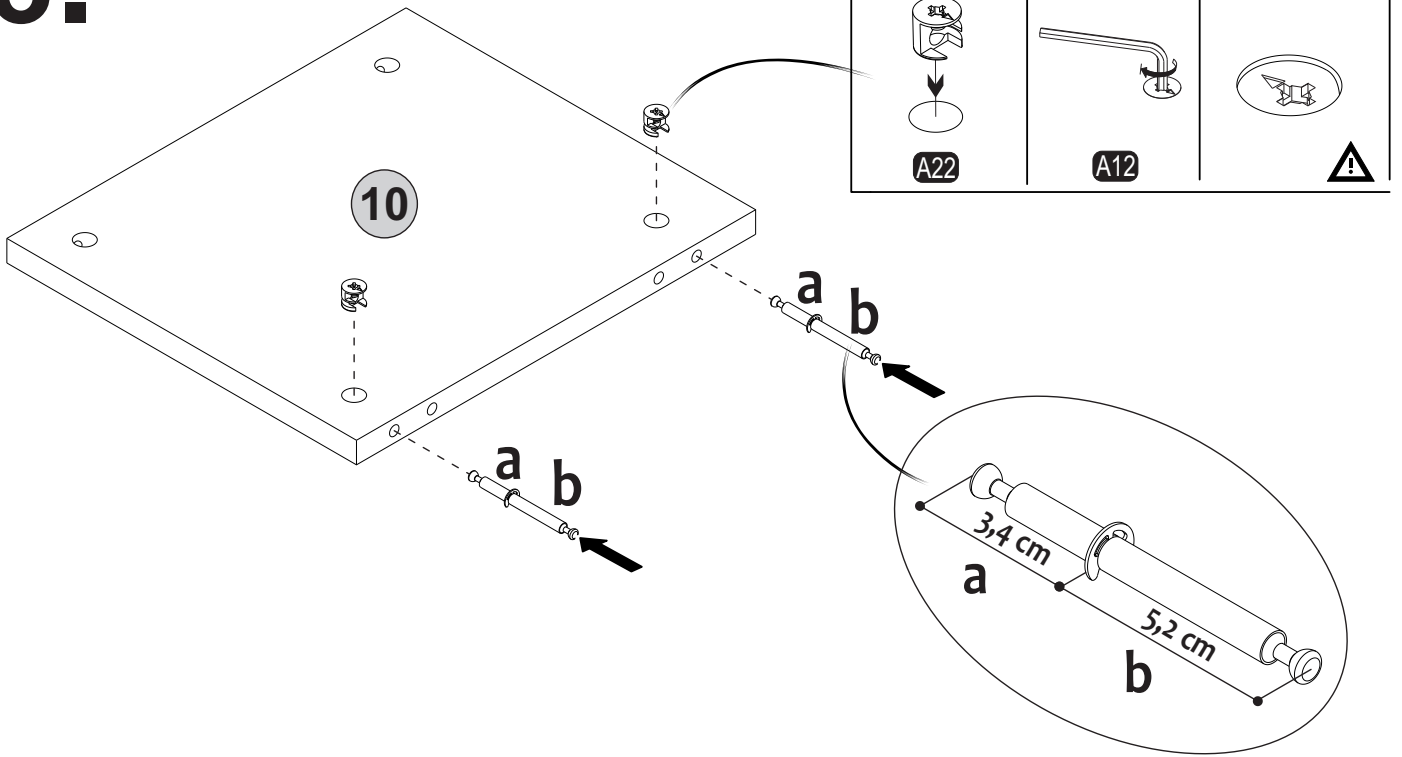
1. step



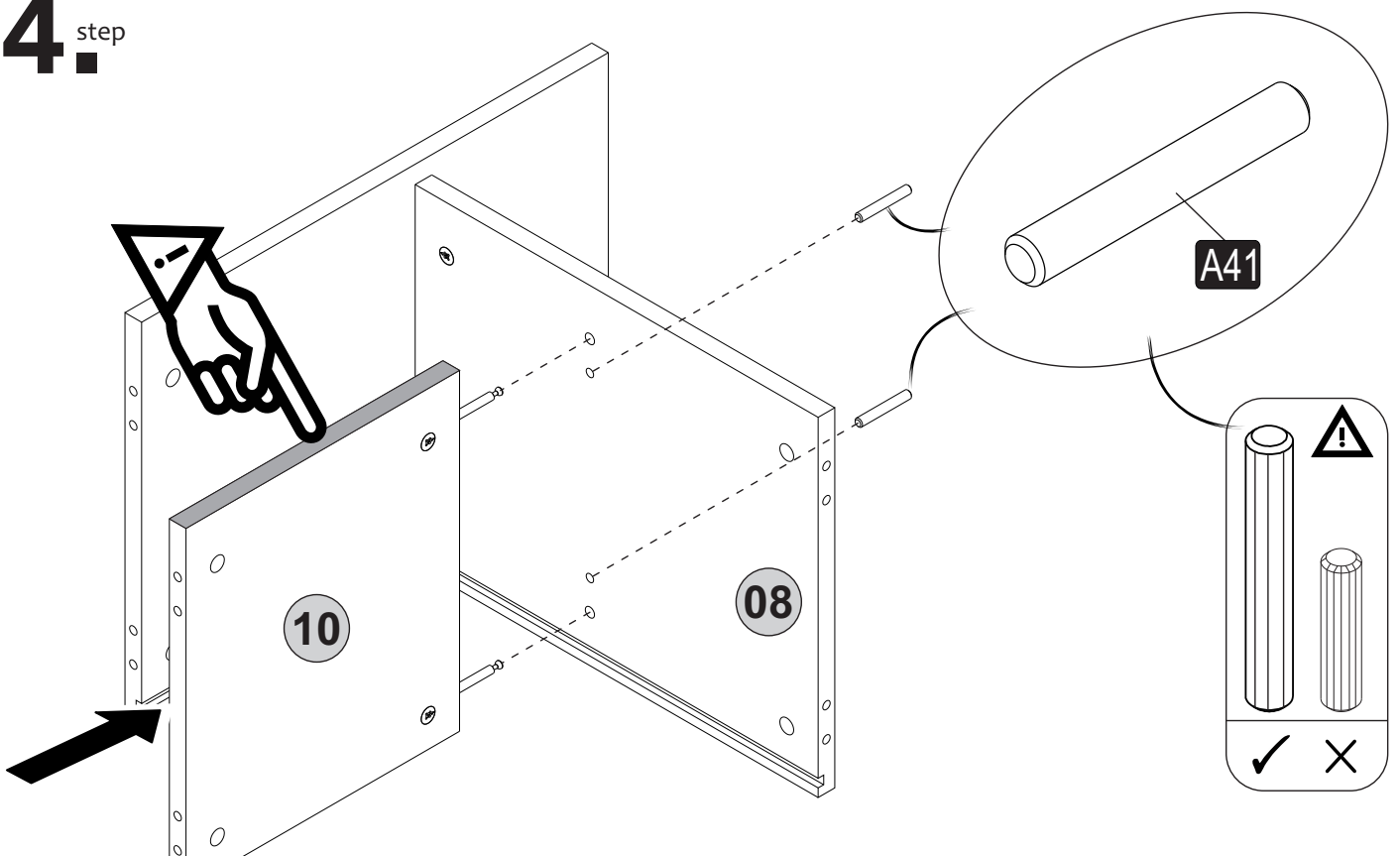
2. step



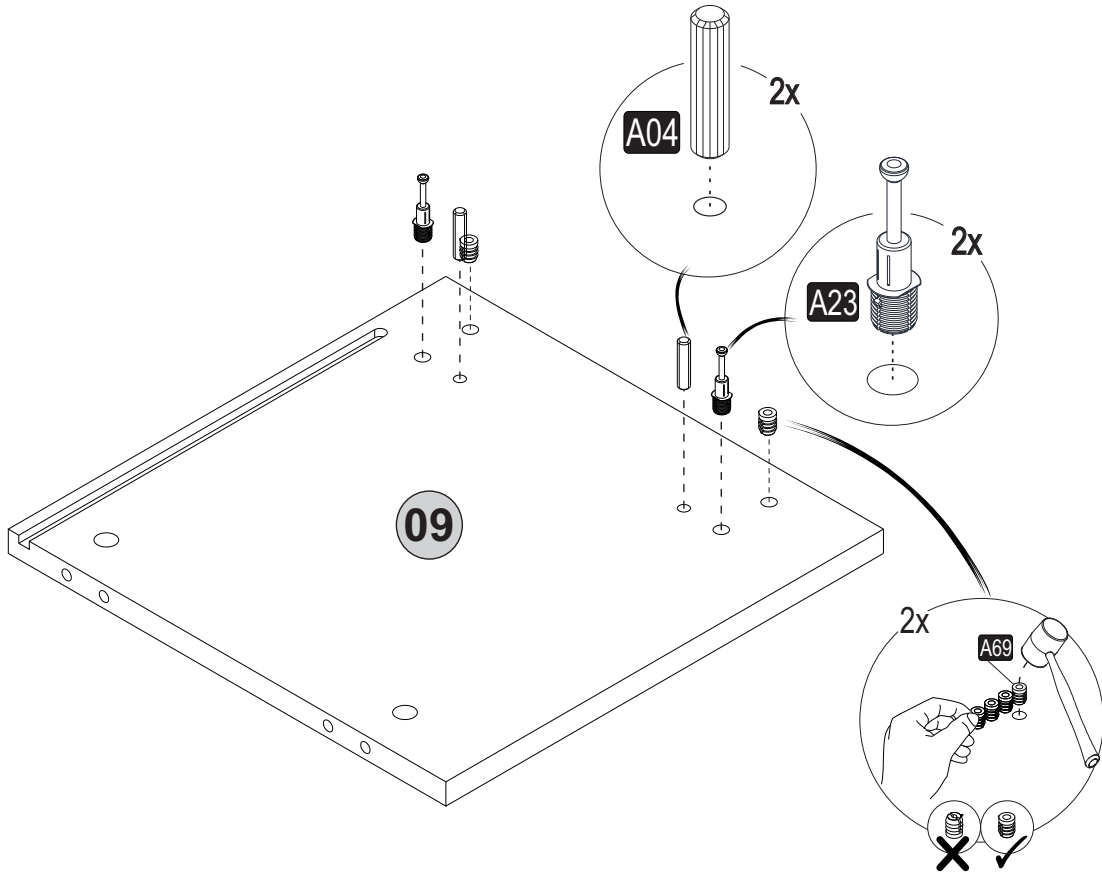
3_{step}



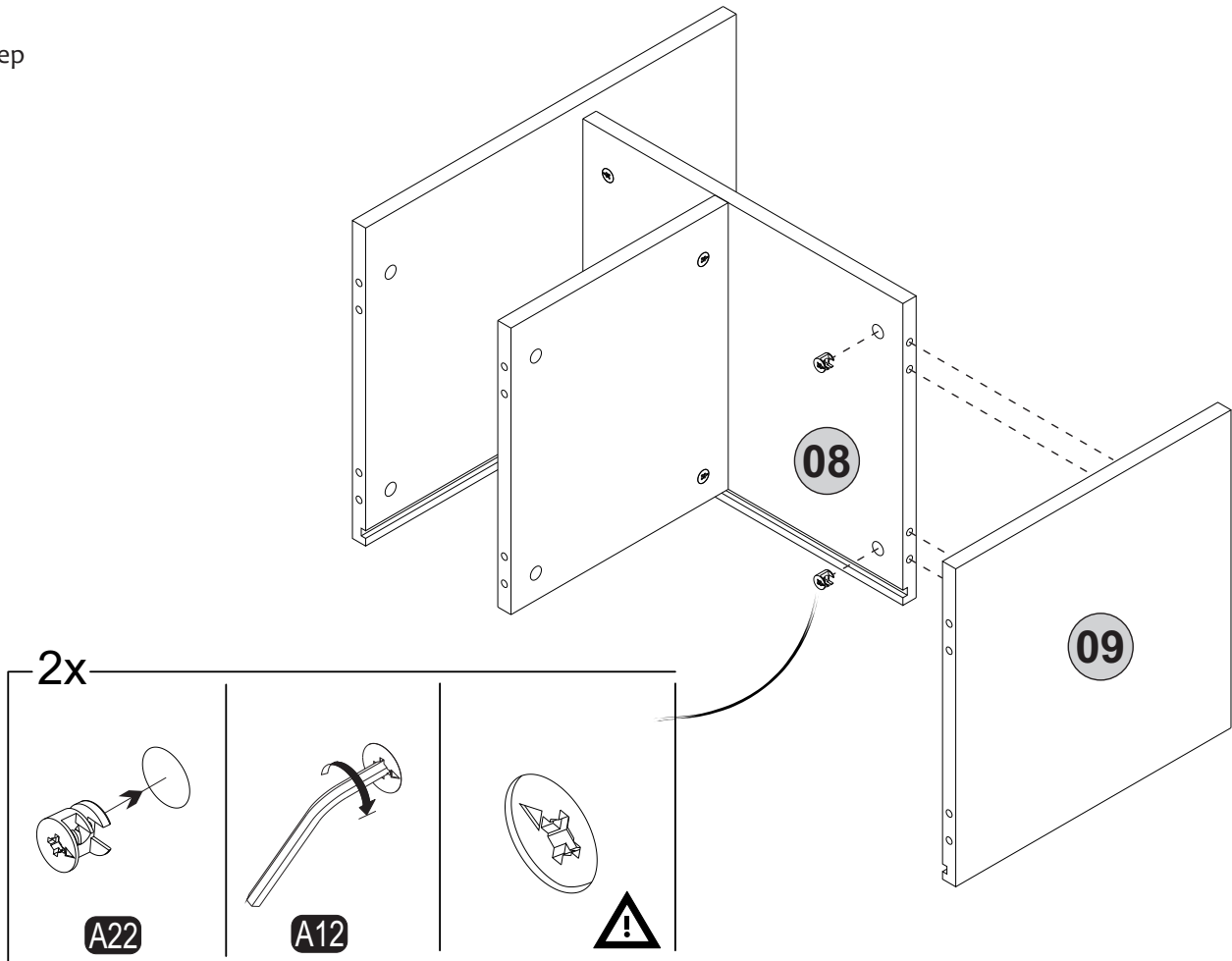
4_{step}



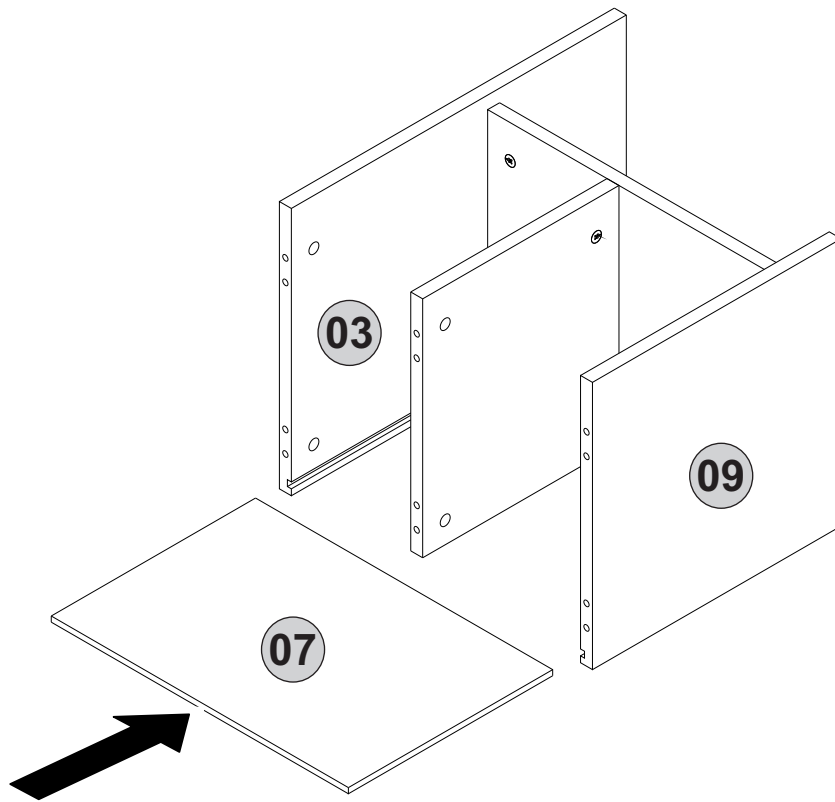
5^{step}



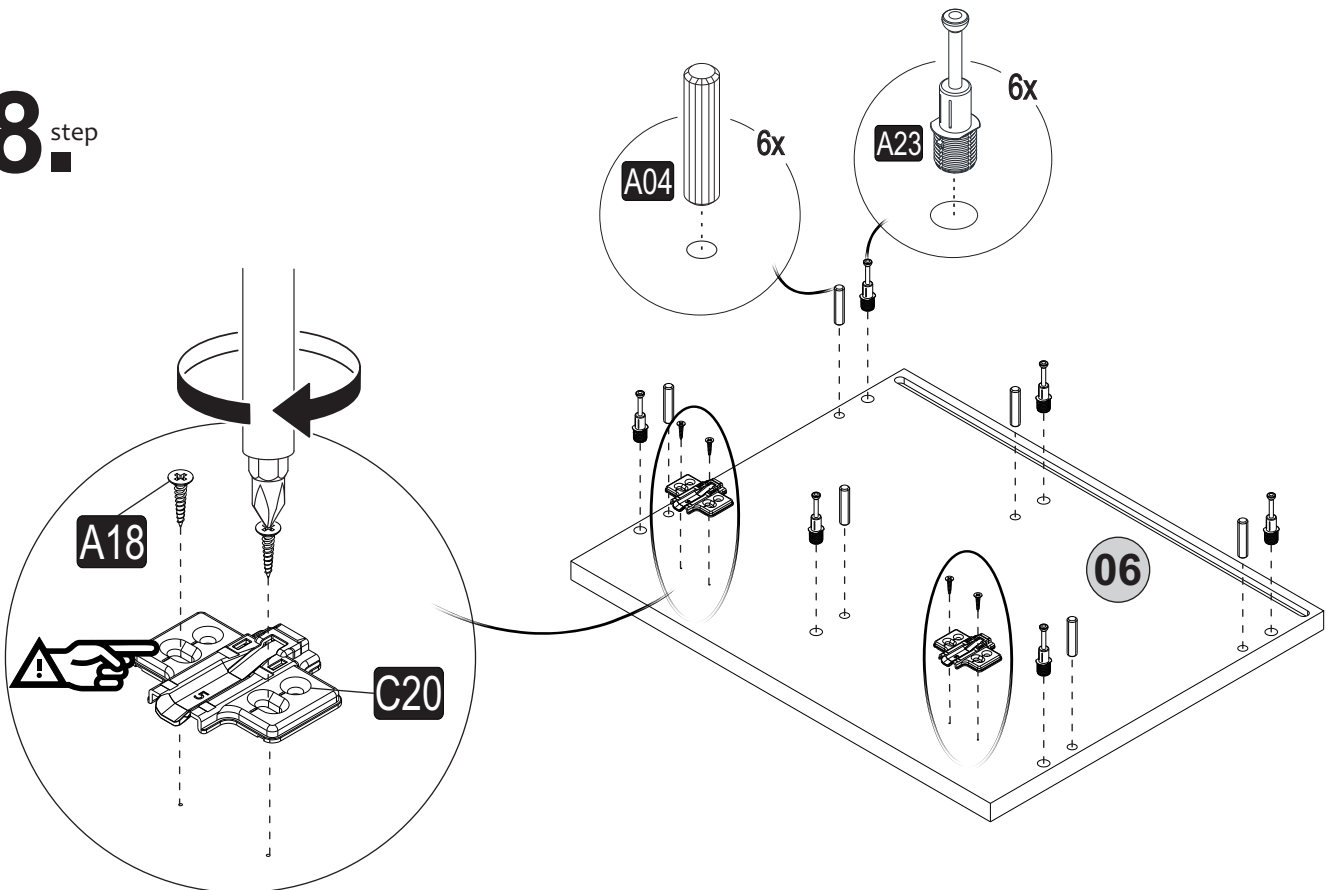
6^{step}



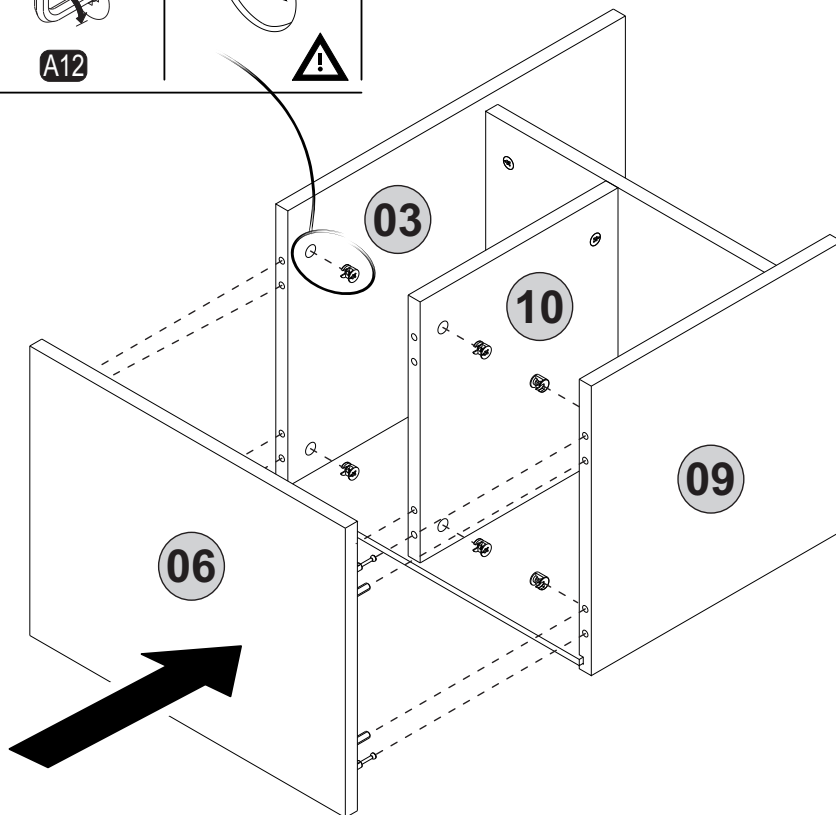
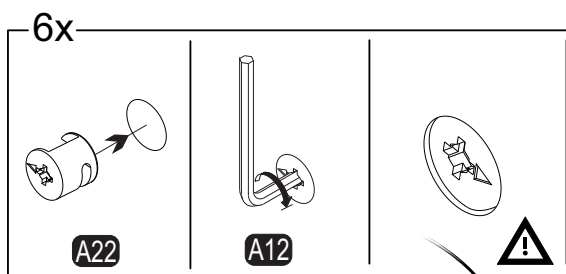
7^{step}



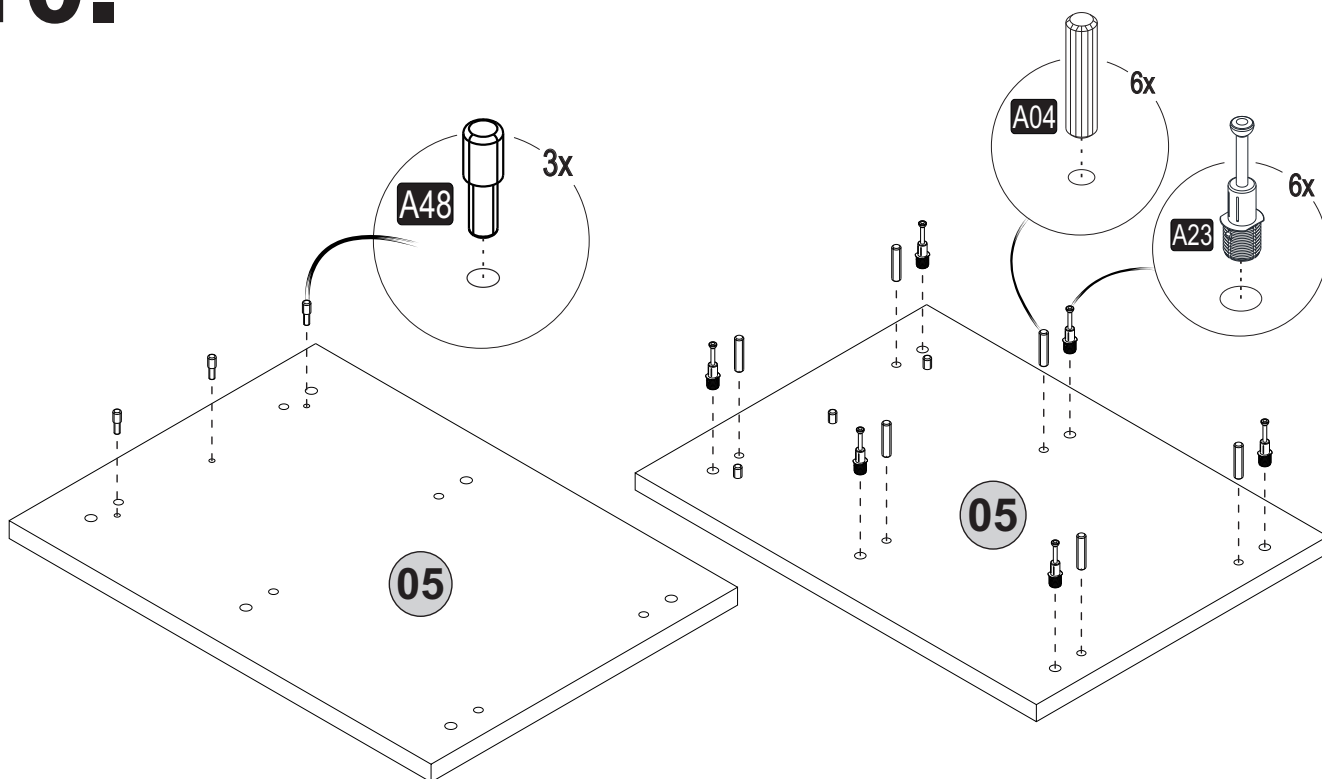
8^{step}



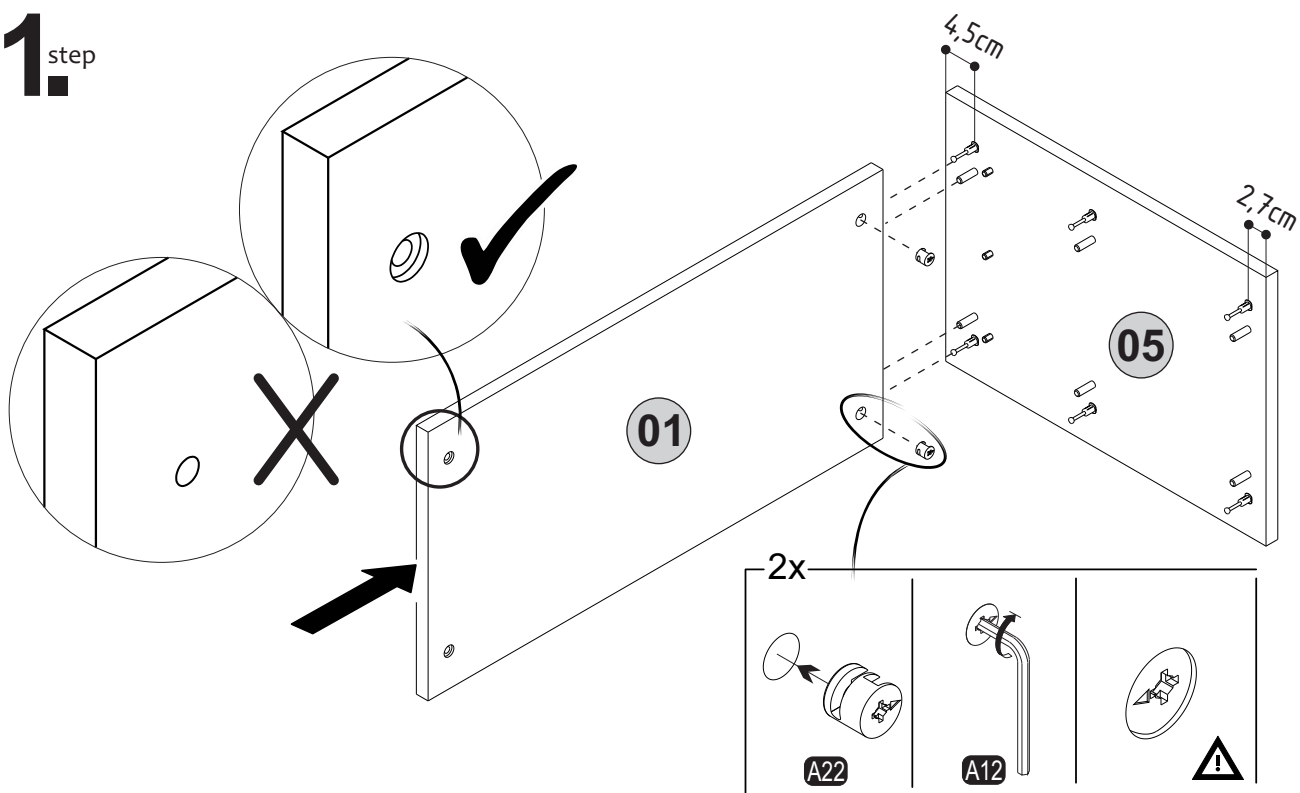
9_{step}



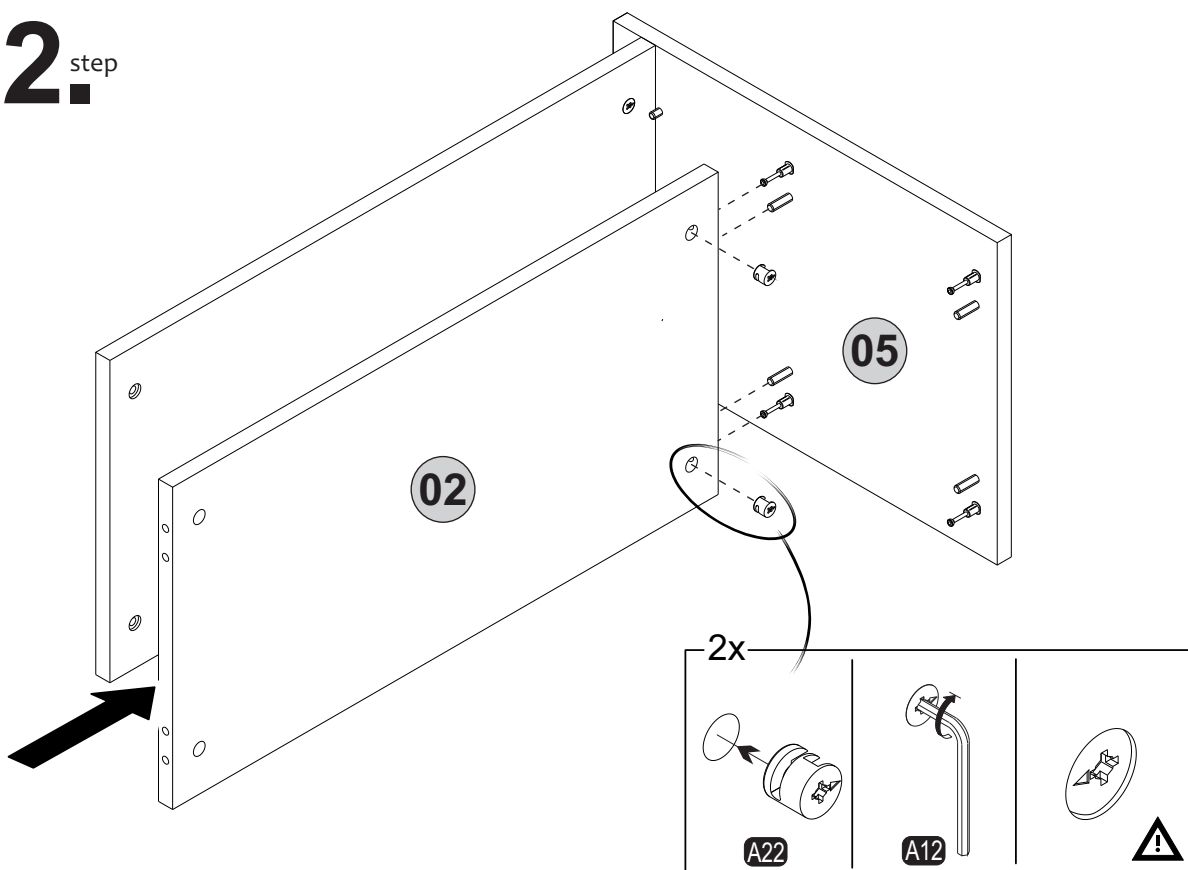
10_{step}



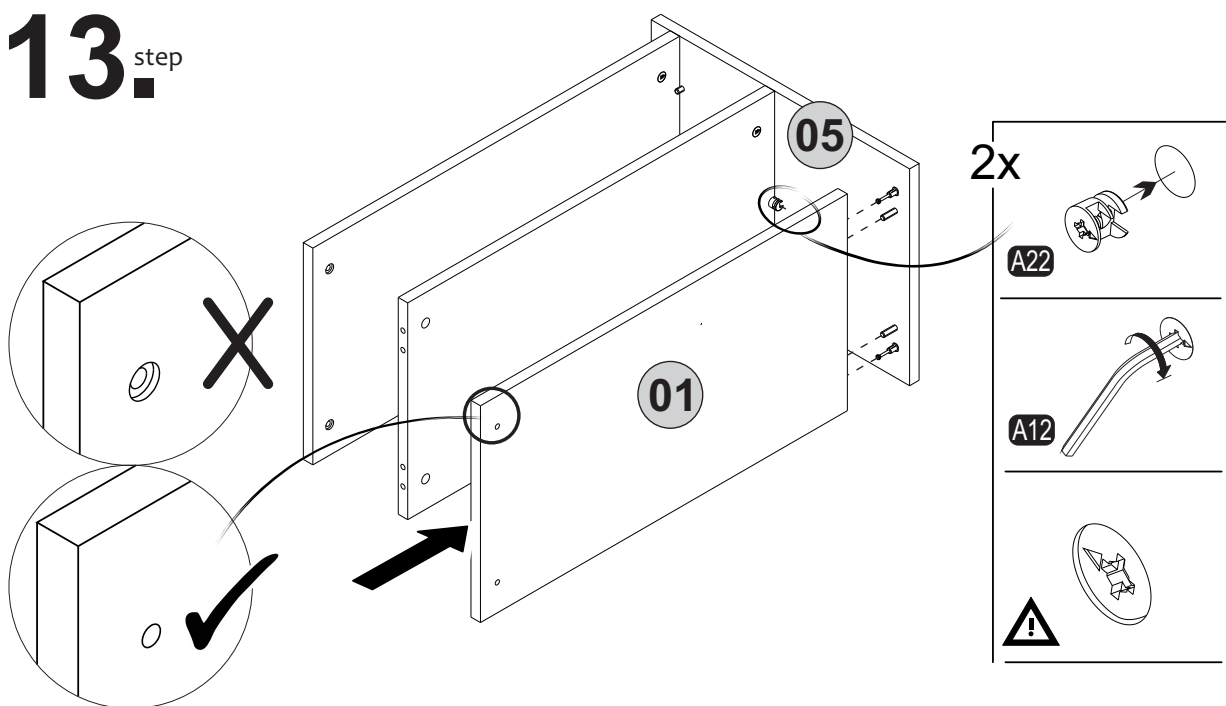
11.^{step}



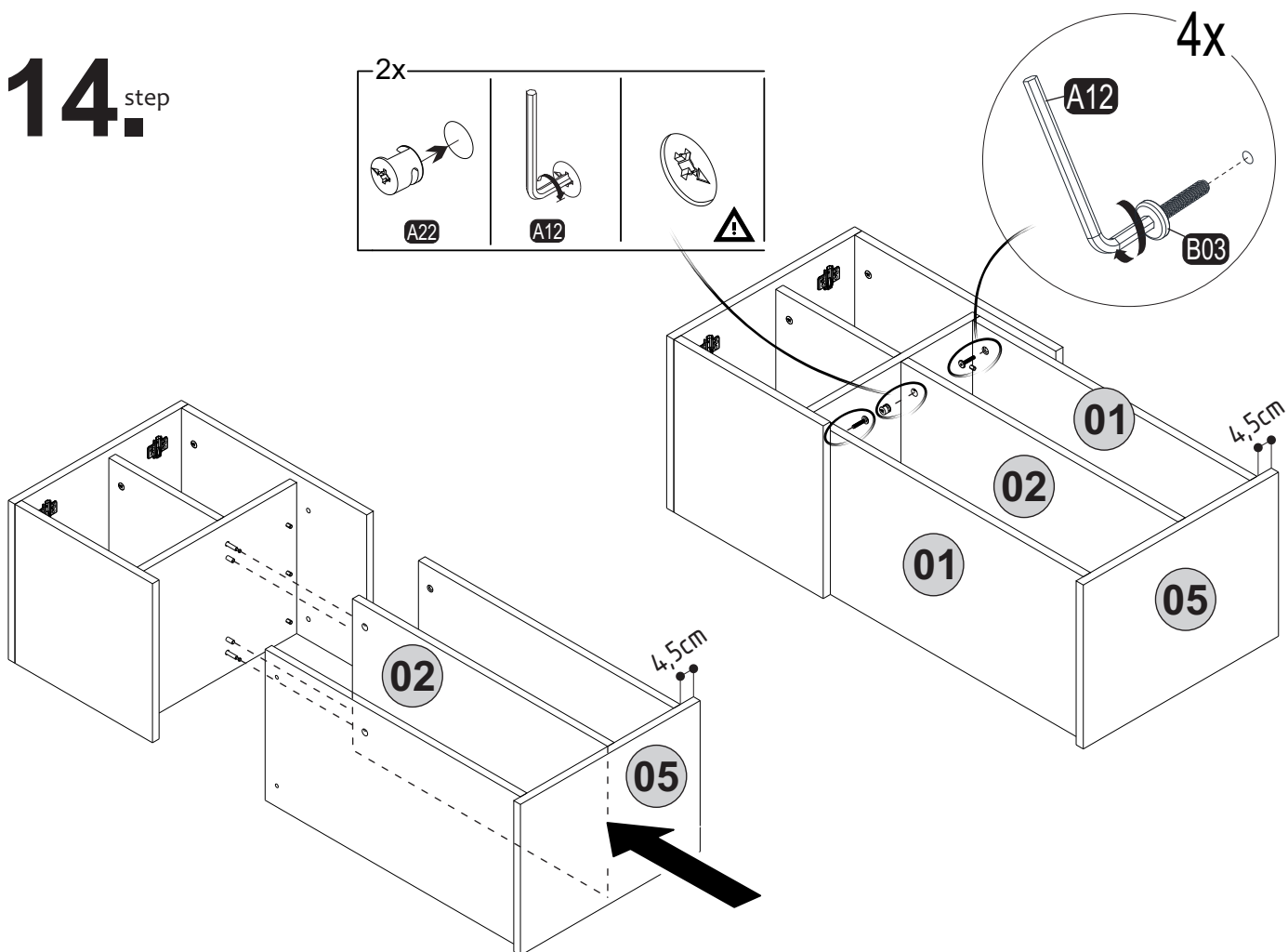
12.^{step}



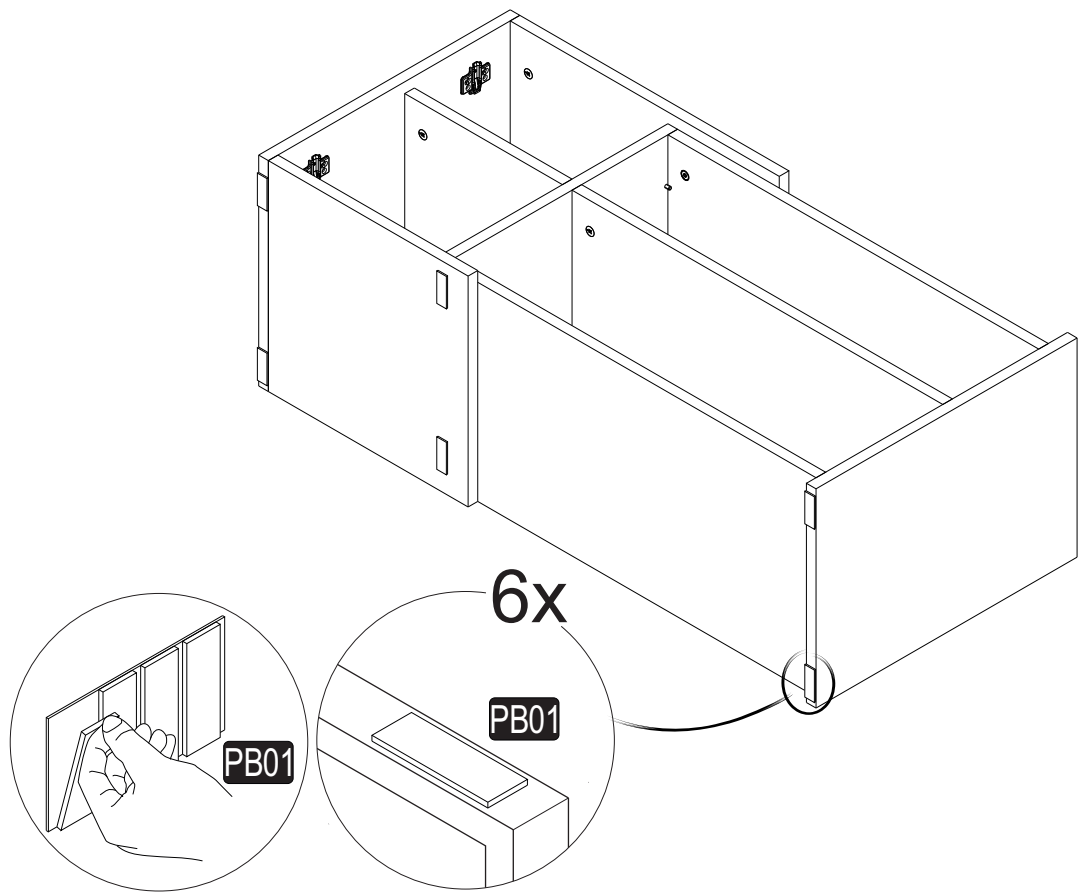
13.^{step}



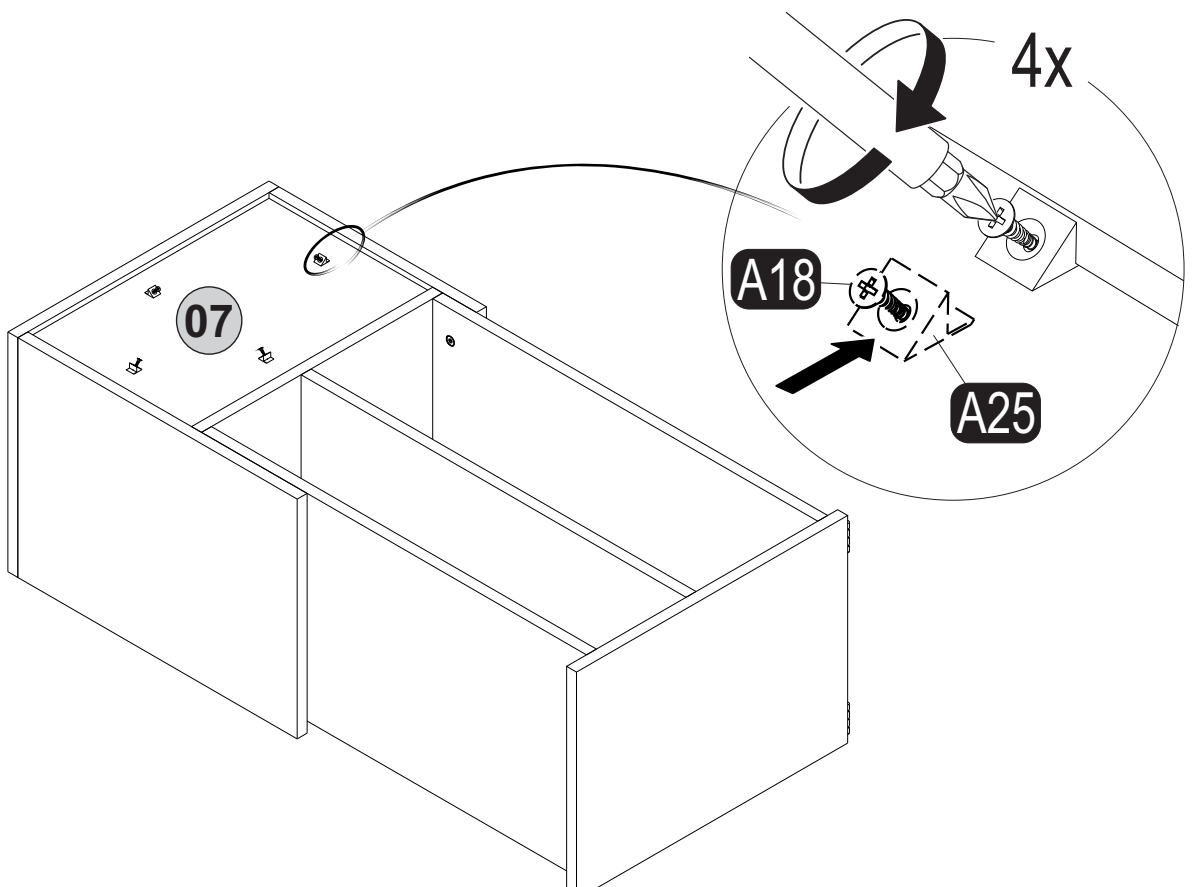
14.^{step}



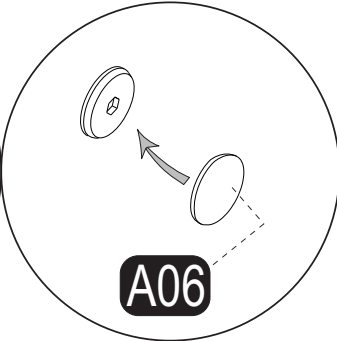
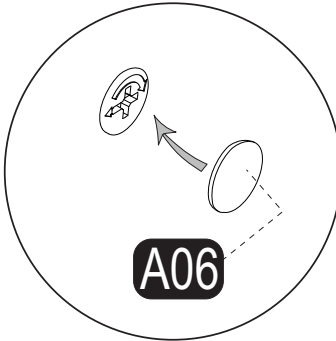
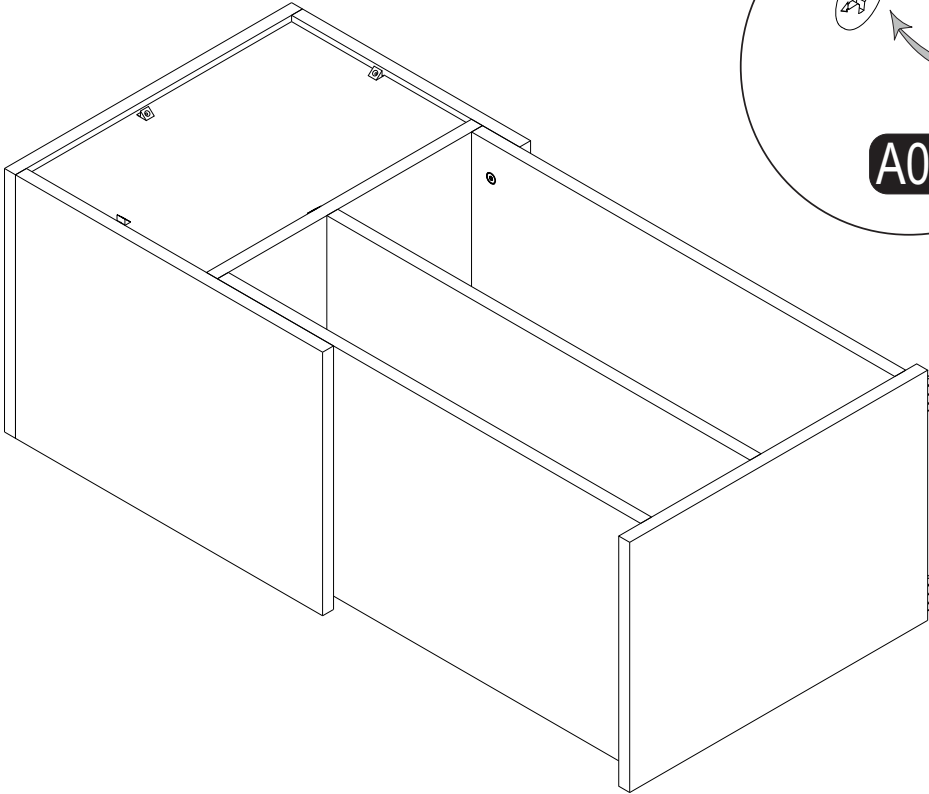
15.^{step}



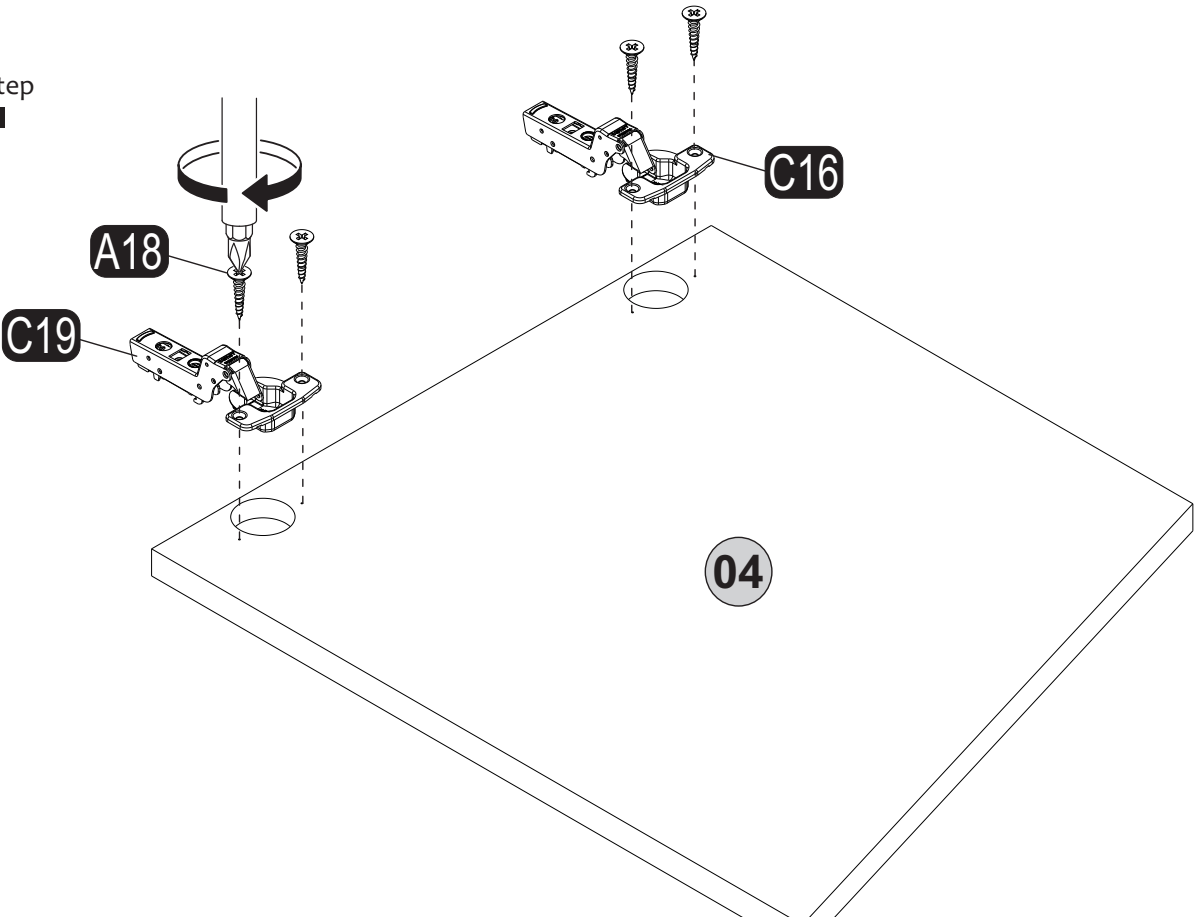
16.^{step}



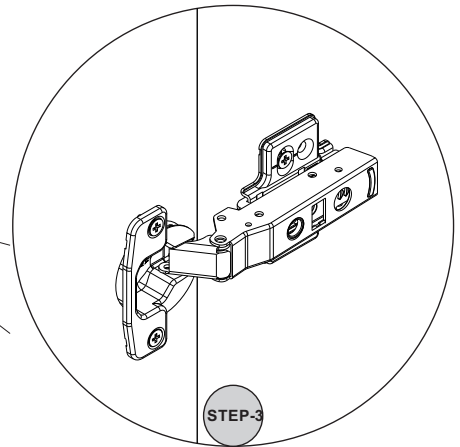
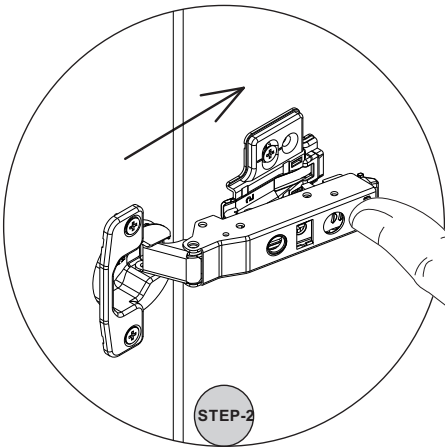
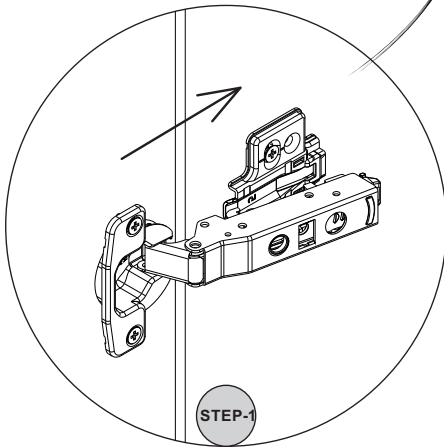
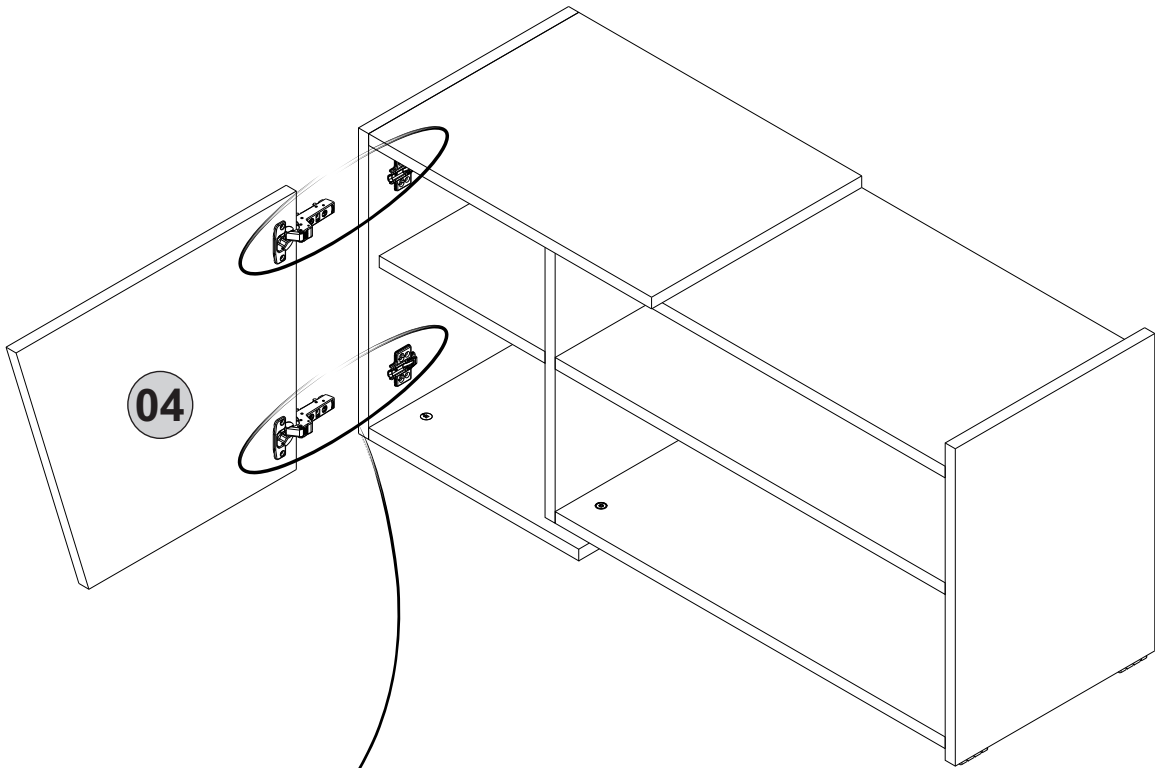
17. step



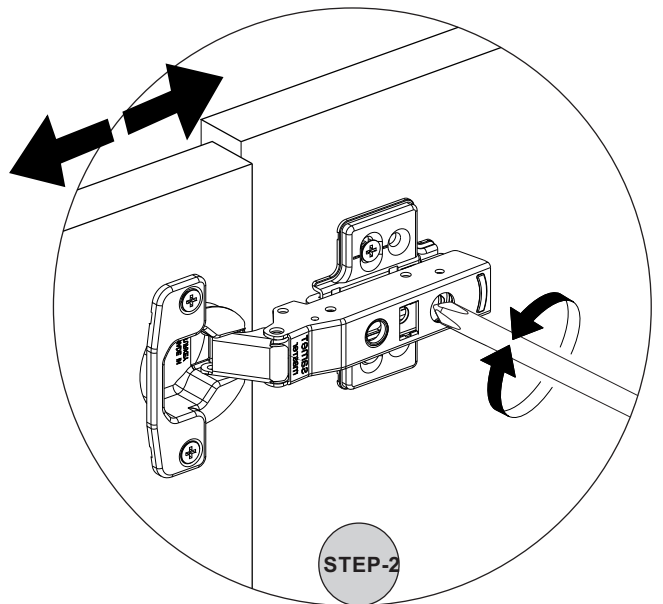
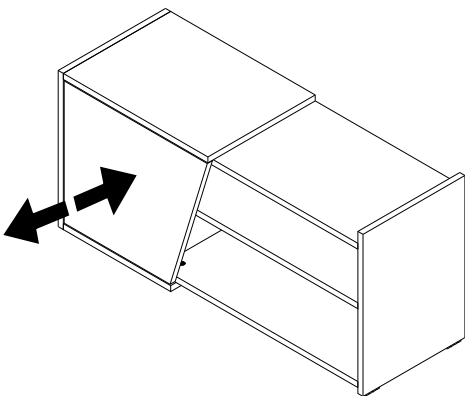
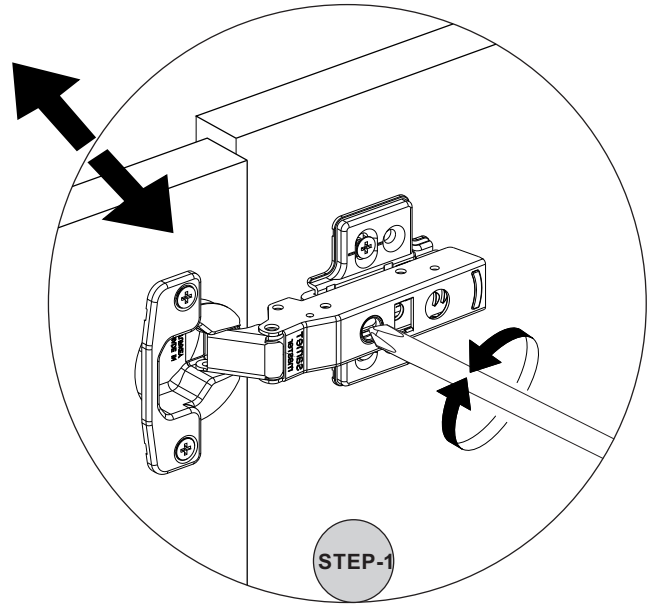
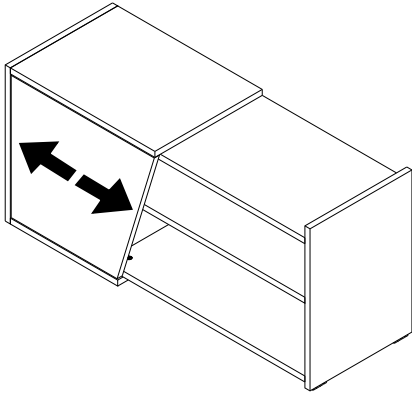
18. step



19^{step}



20_{step}



21^{step}

