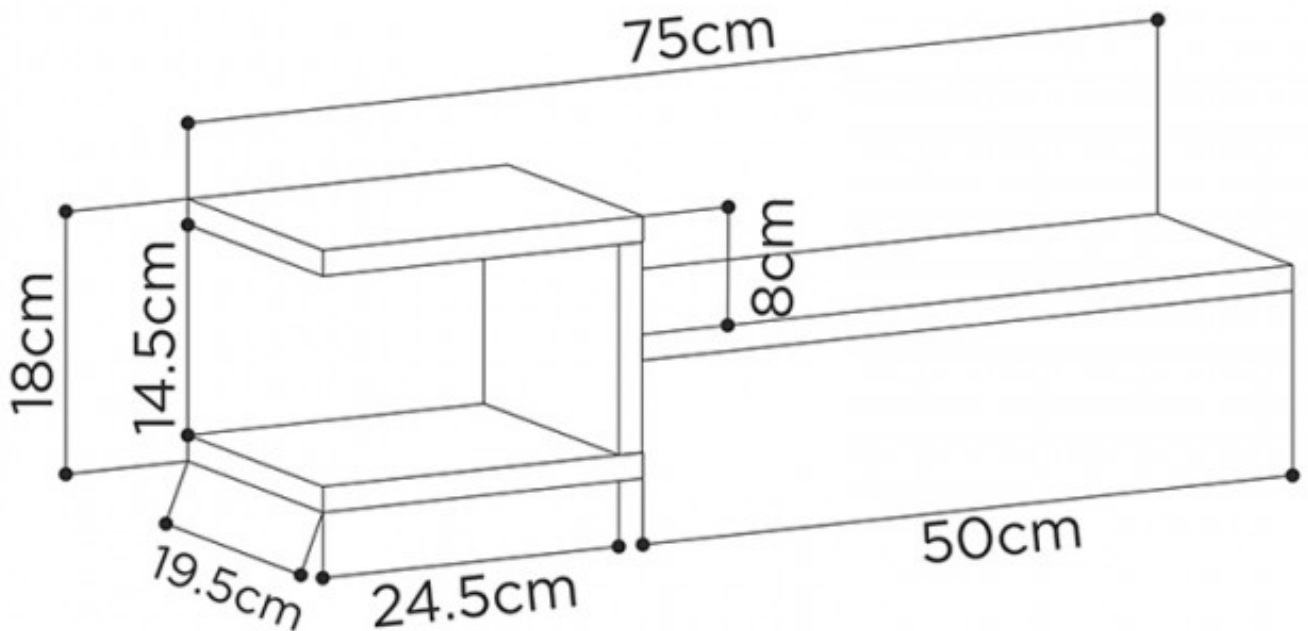





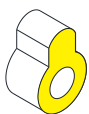


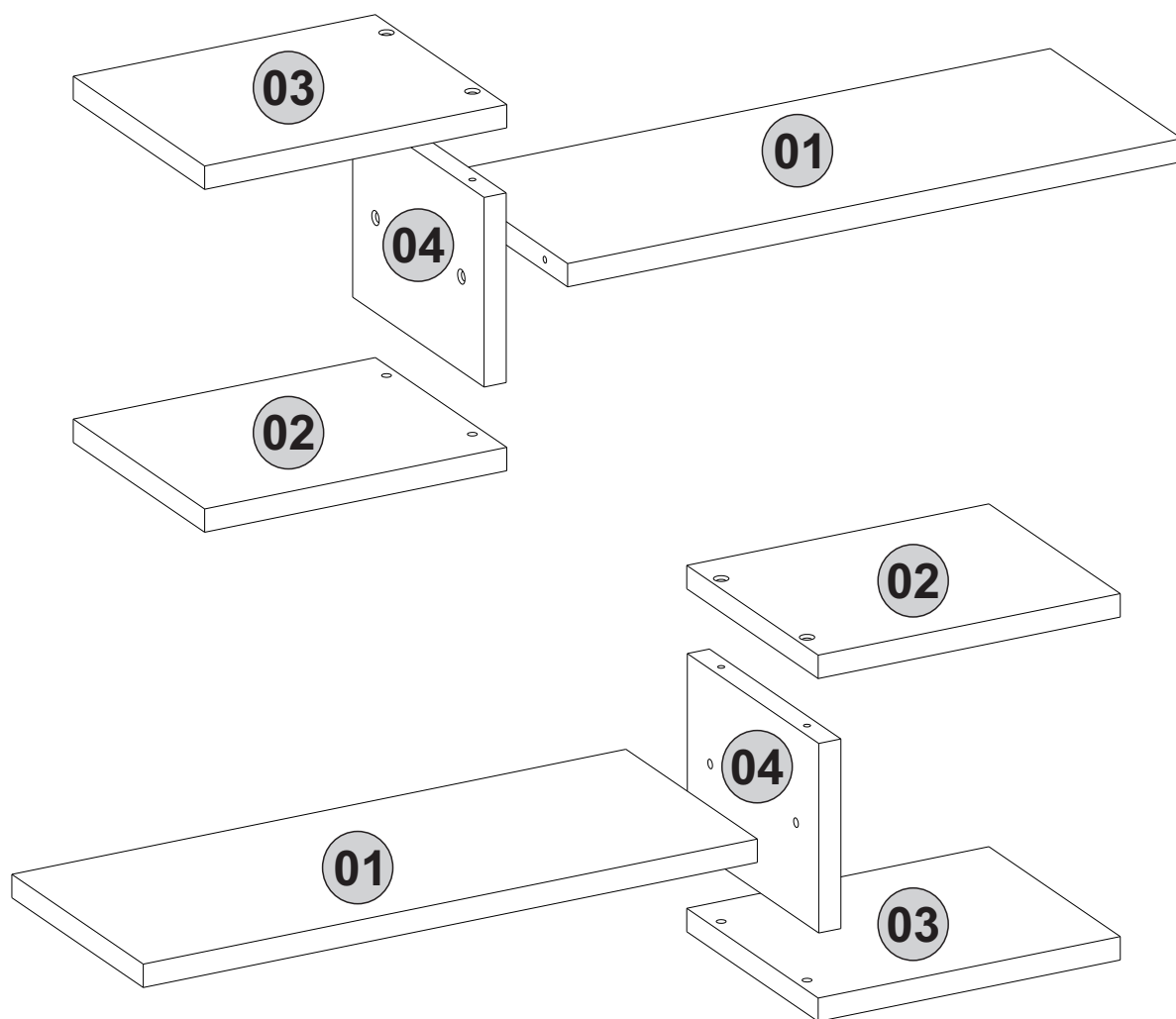


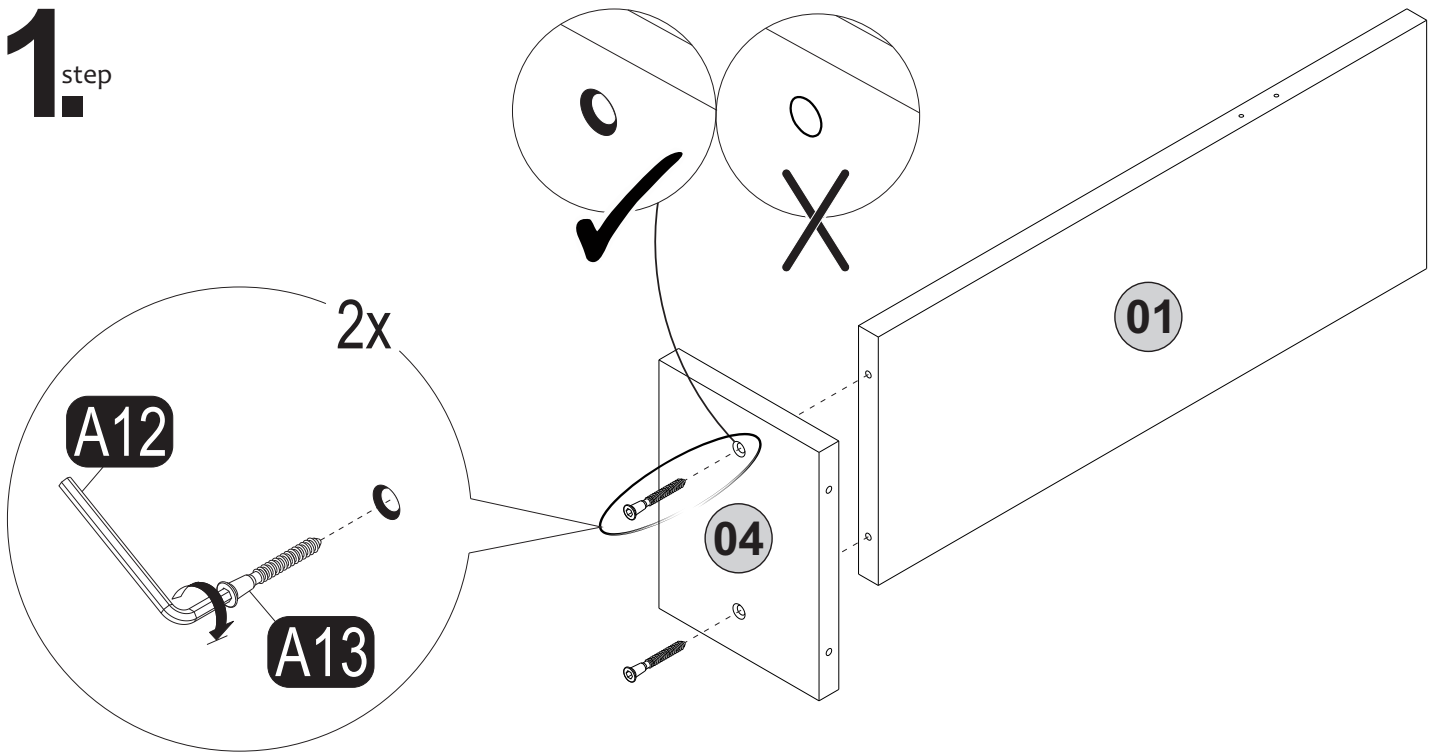
i GP037-0076,4



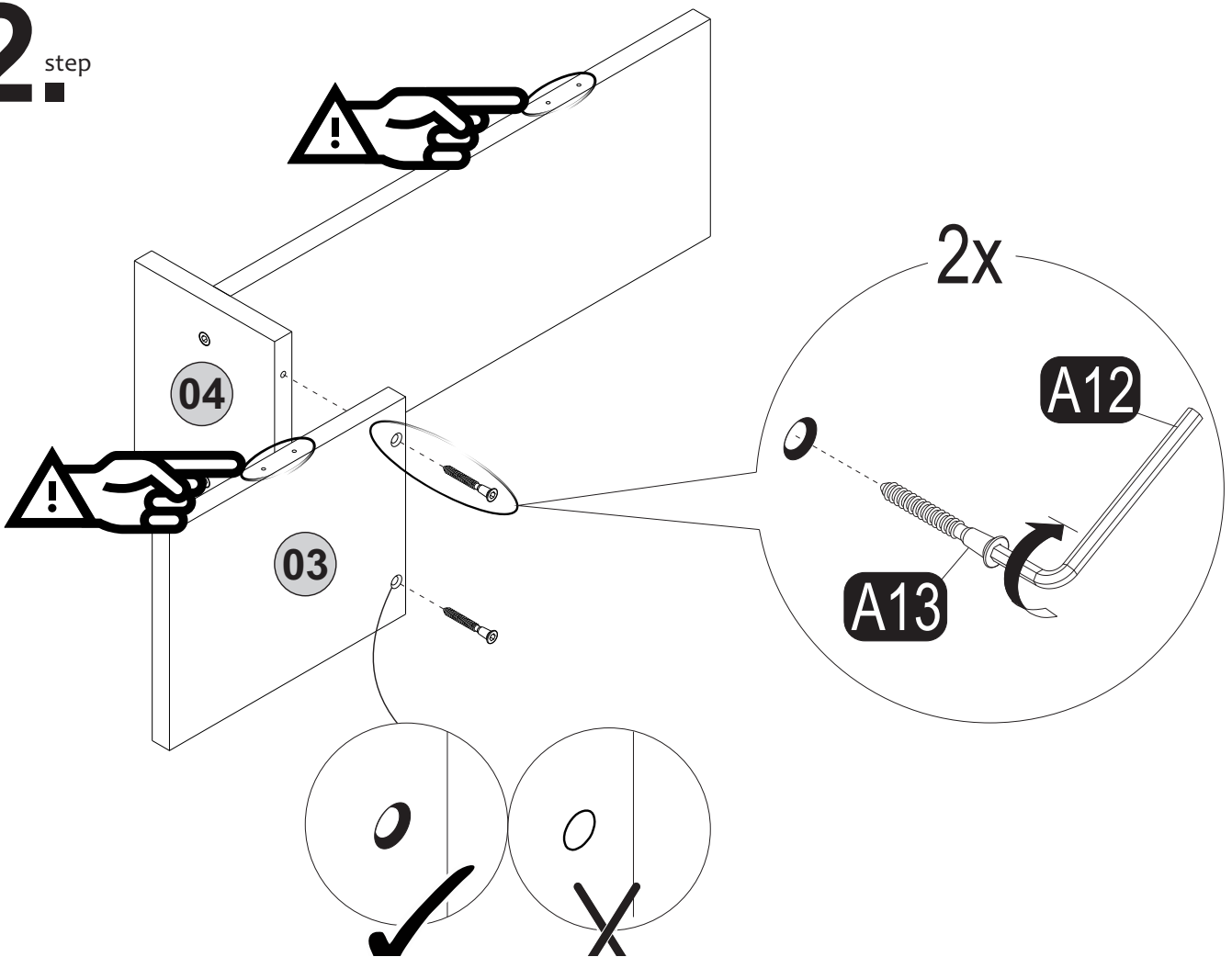
A13  50mm 12x	A12  Allen 1x	A06  18mm 12x	A37  45/16 mm 6x	A11  3,5x30 12x
Z19  Gbdy 6x	A16  DbØ8 6x	A17  4x50 6x		



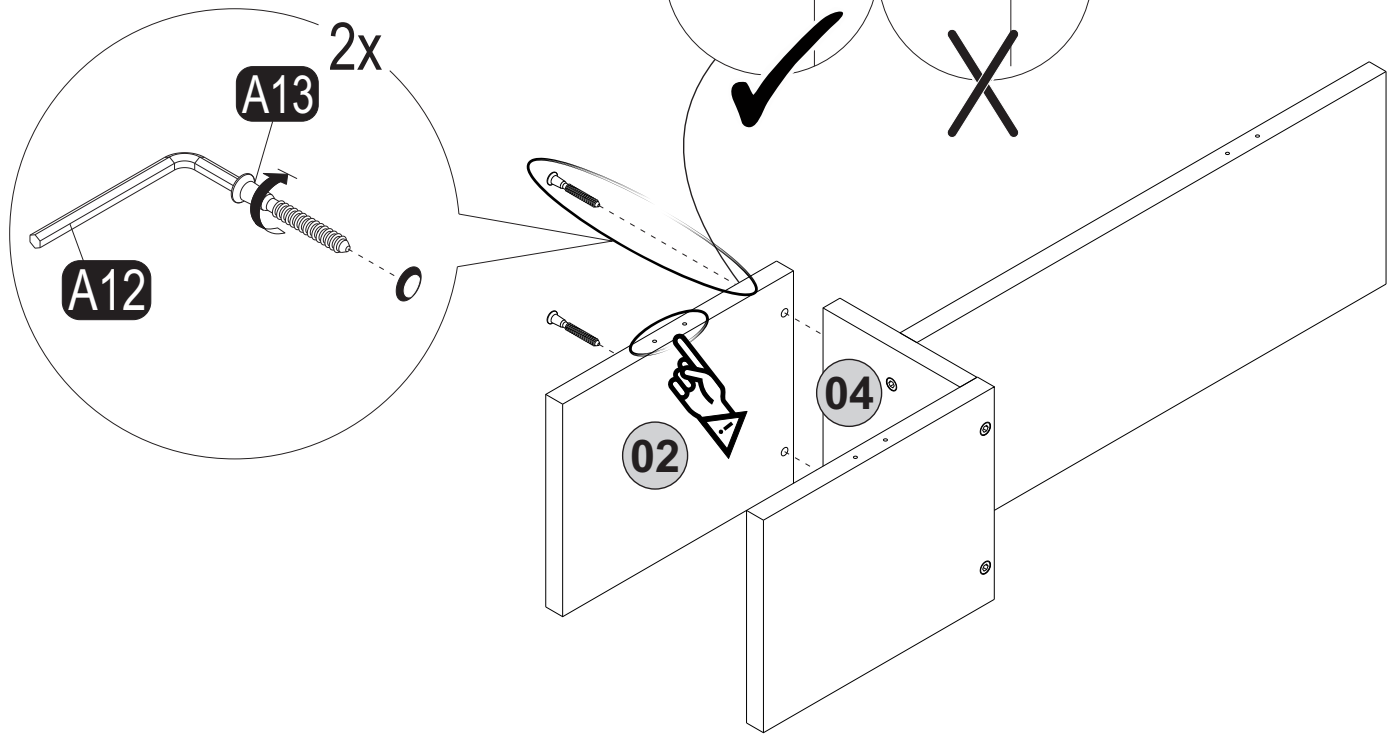
1. step



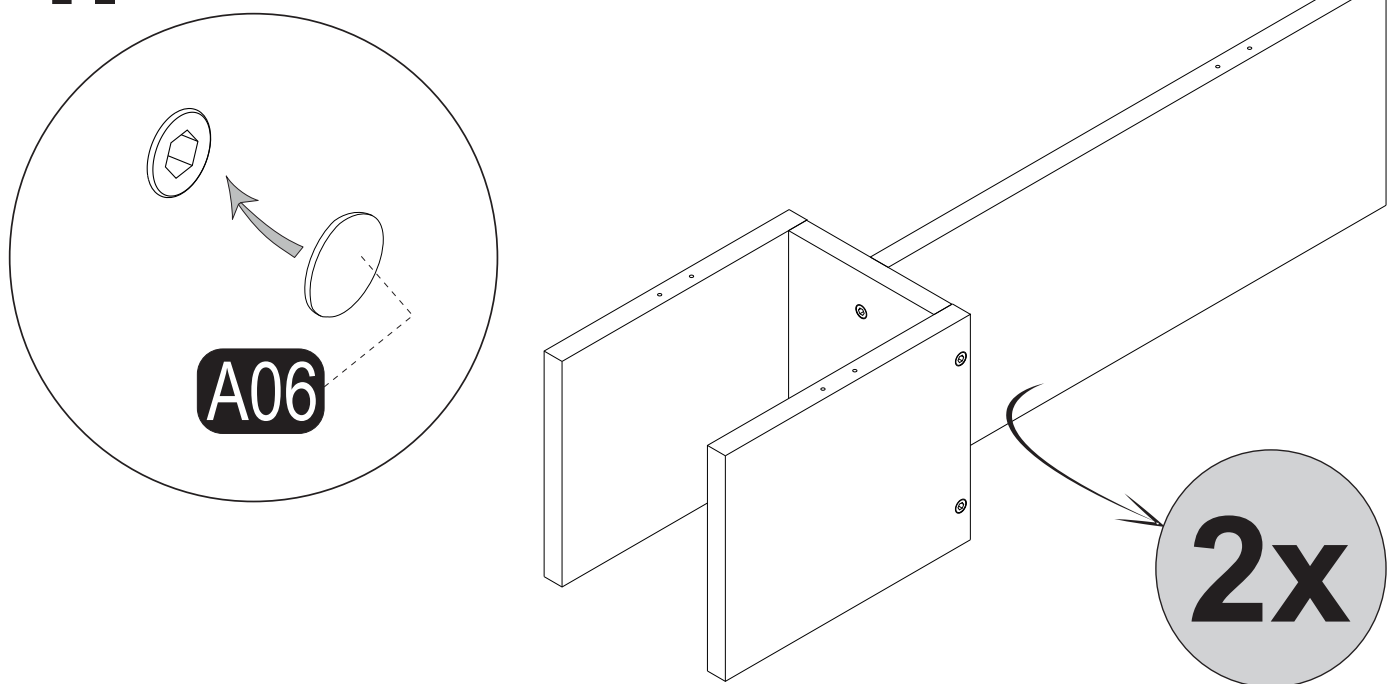
2. step



3^{step}

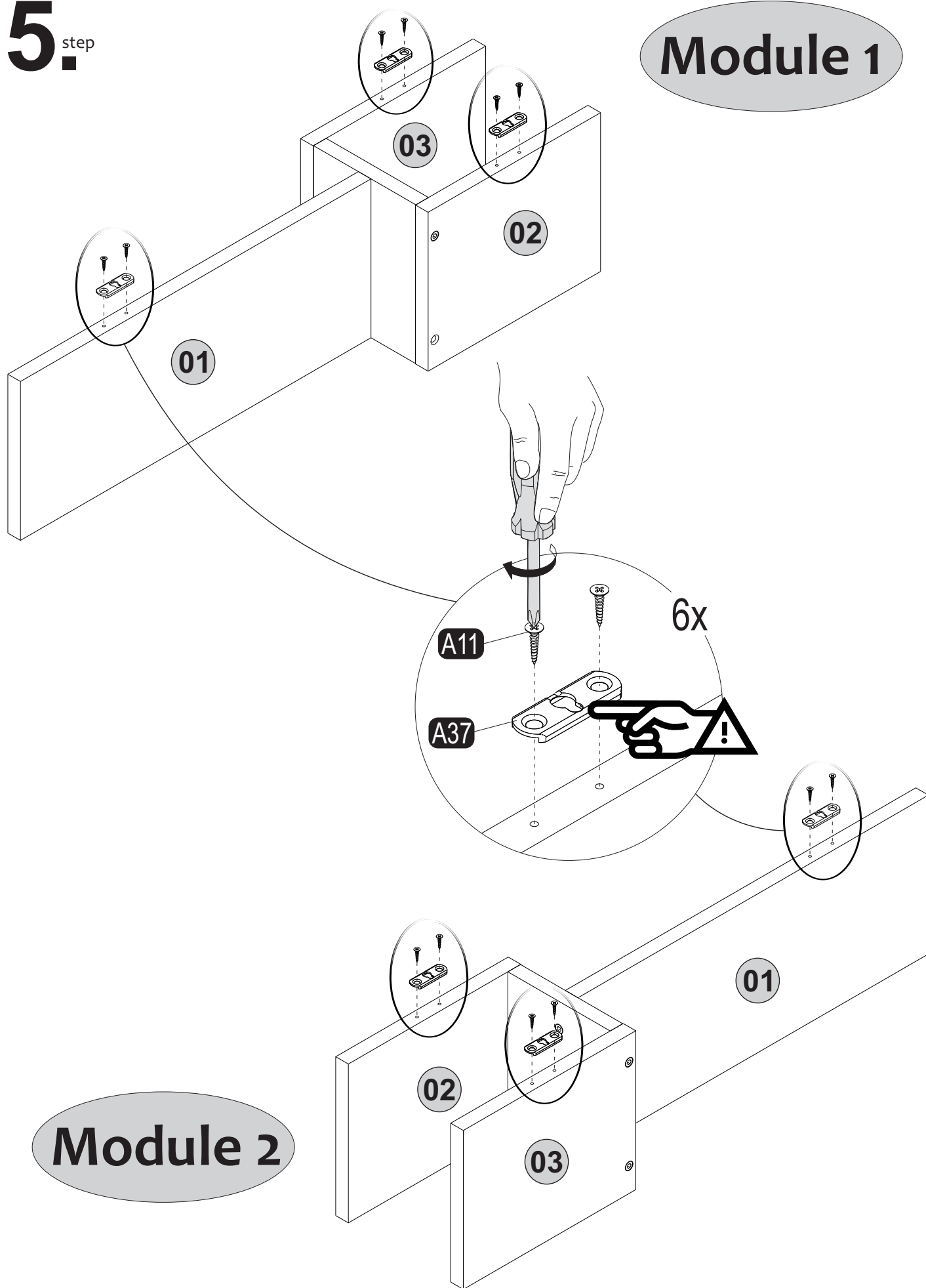


4^{step}



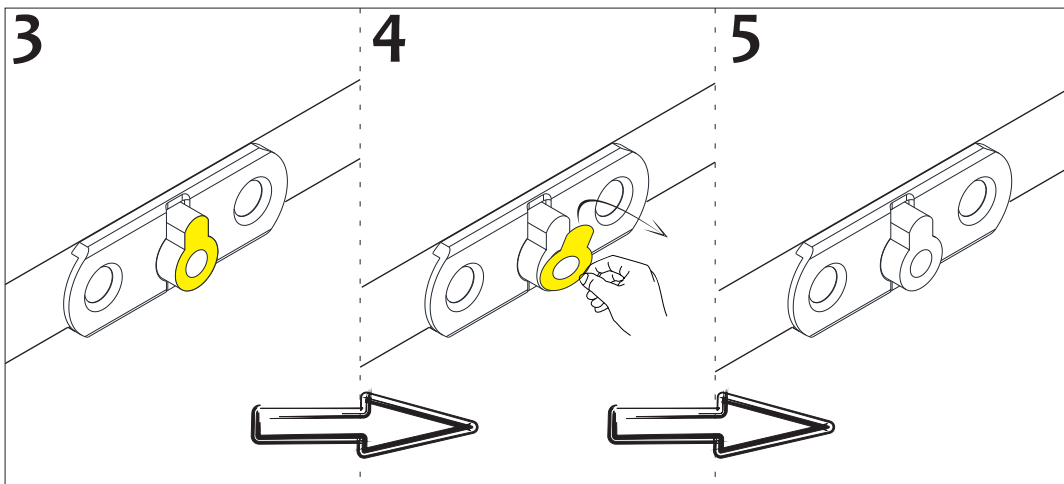
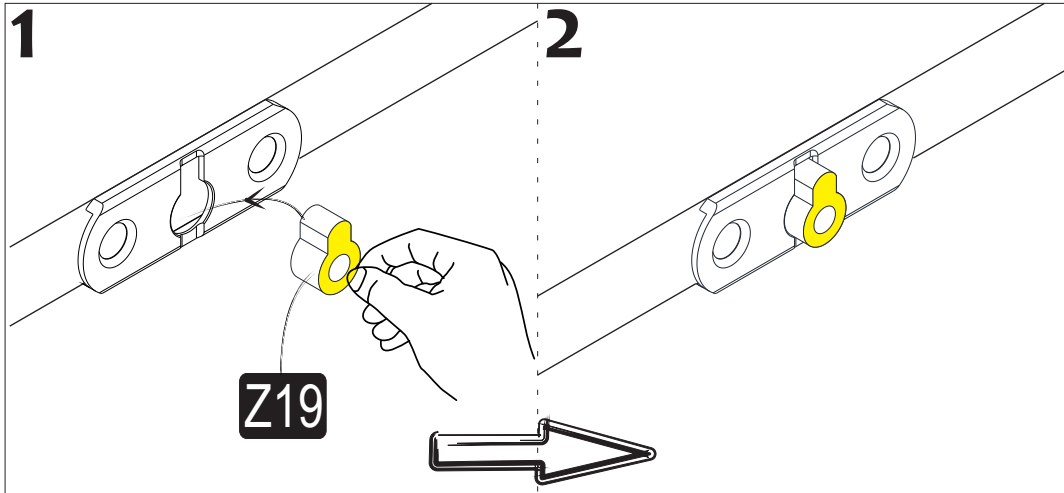
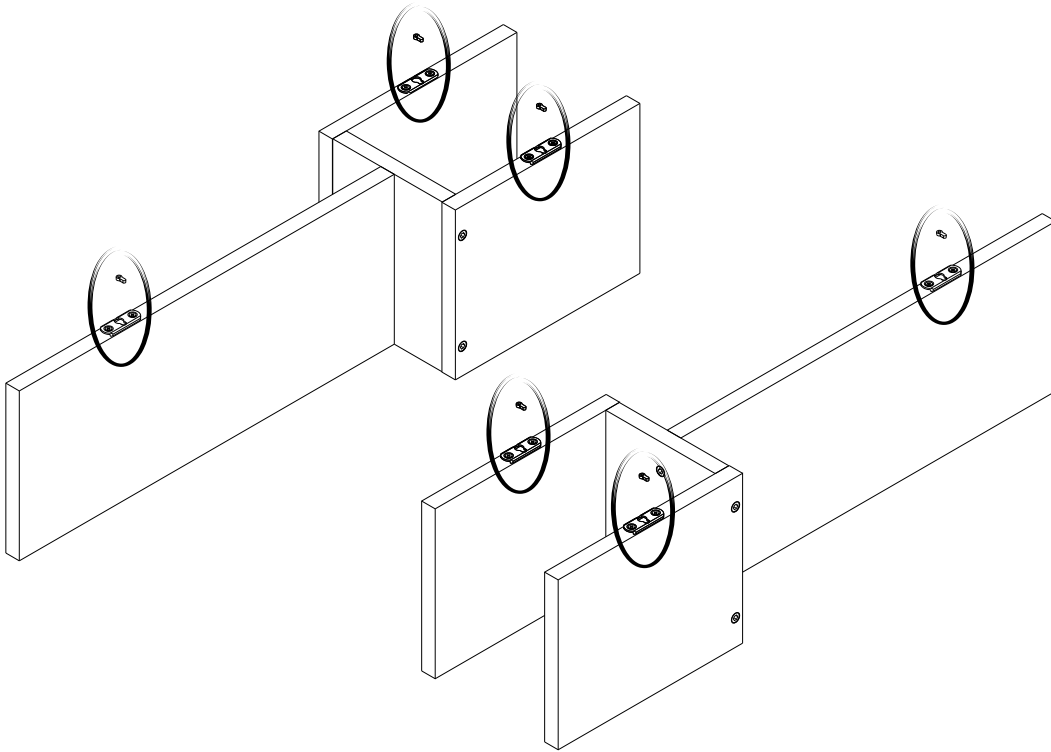
5. step

Module 1

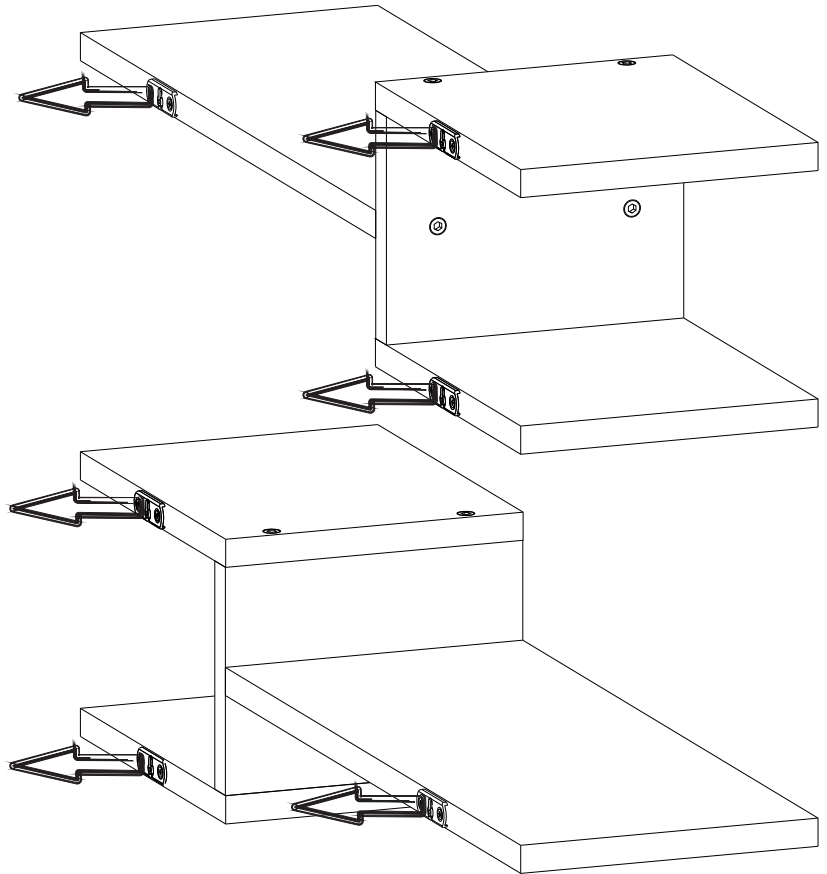
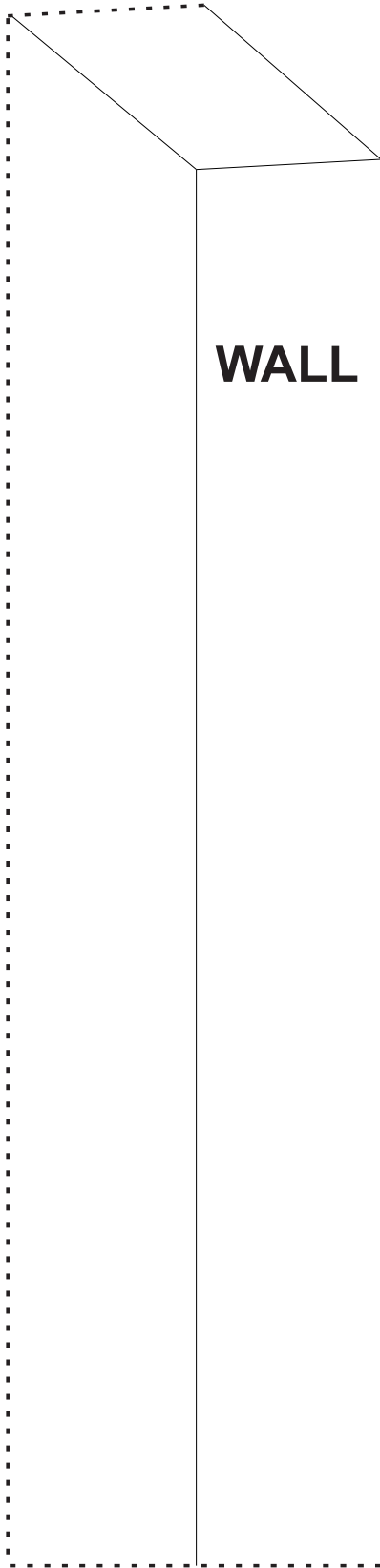


Module 2

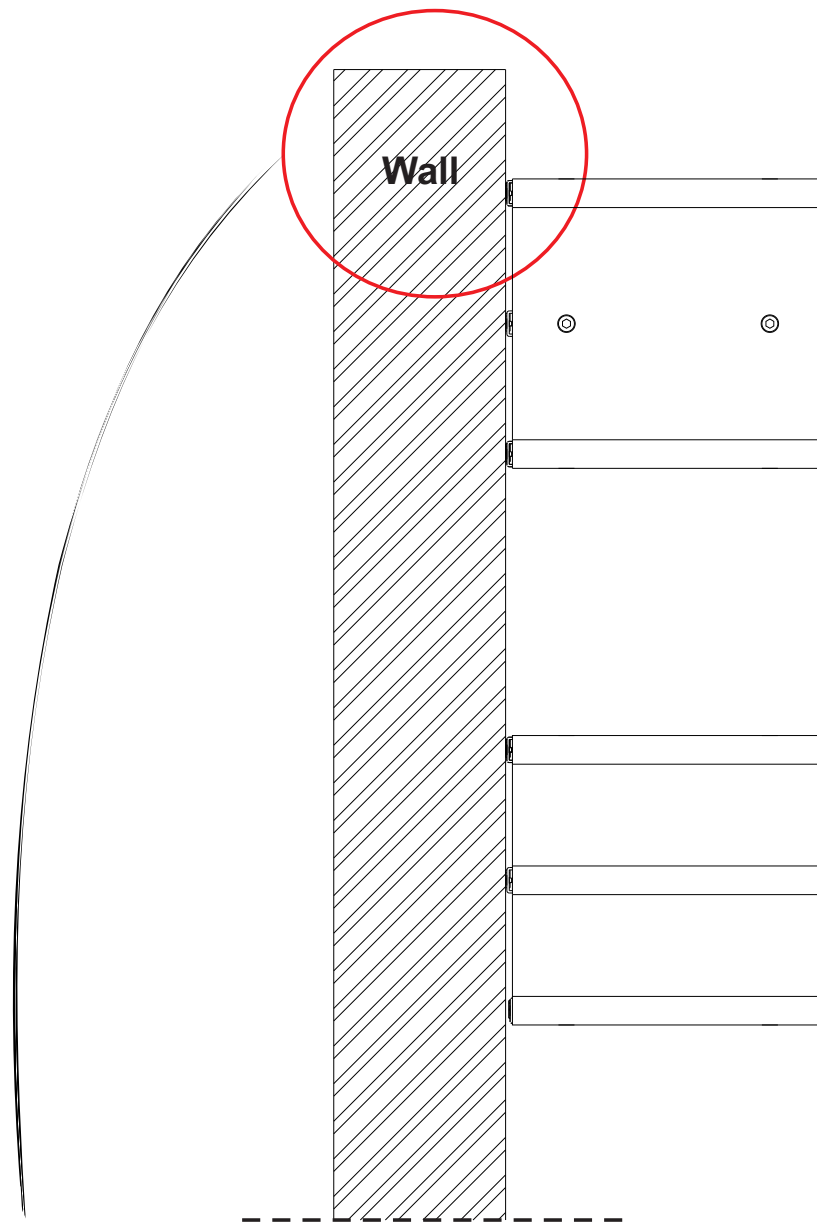
6^{step}



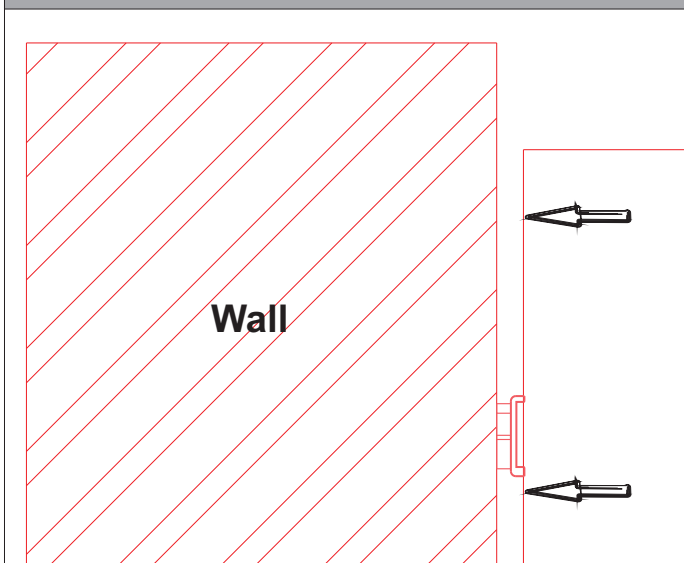
7. step



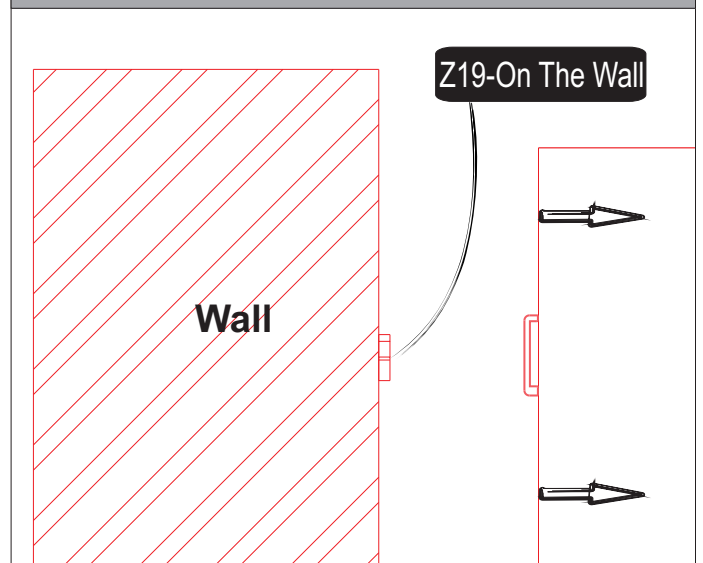
8 step



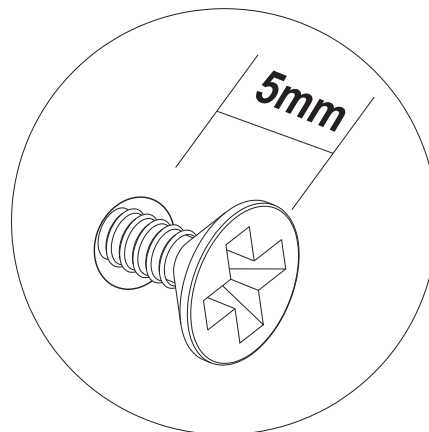
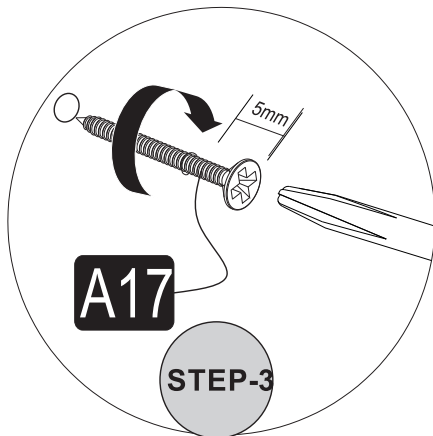
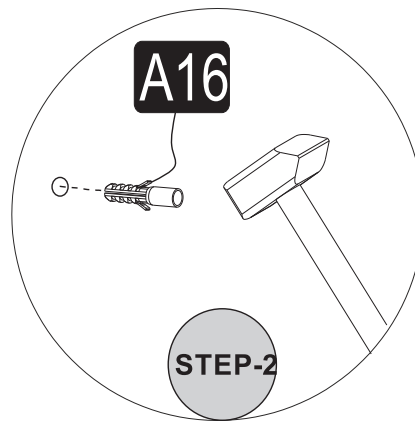
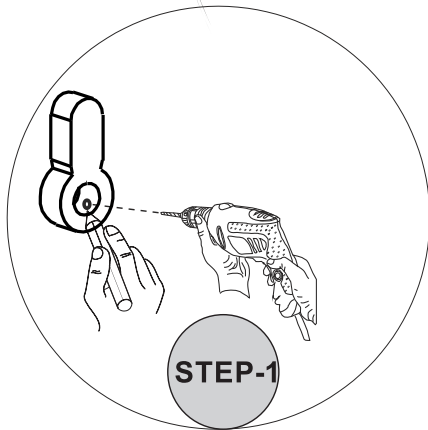
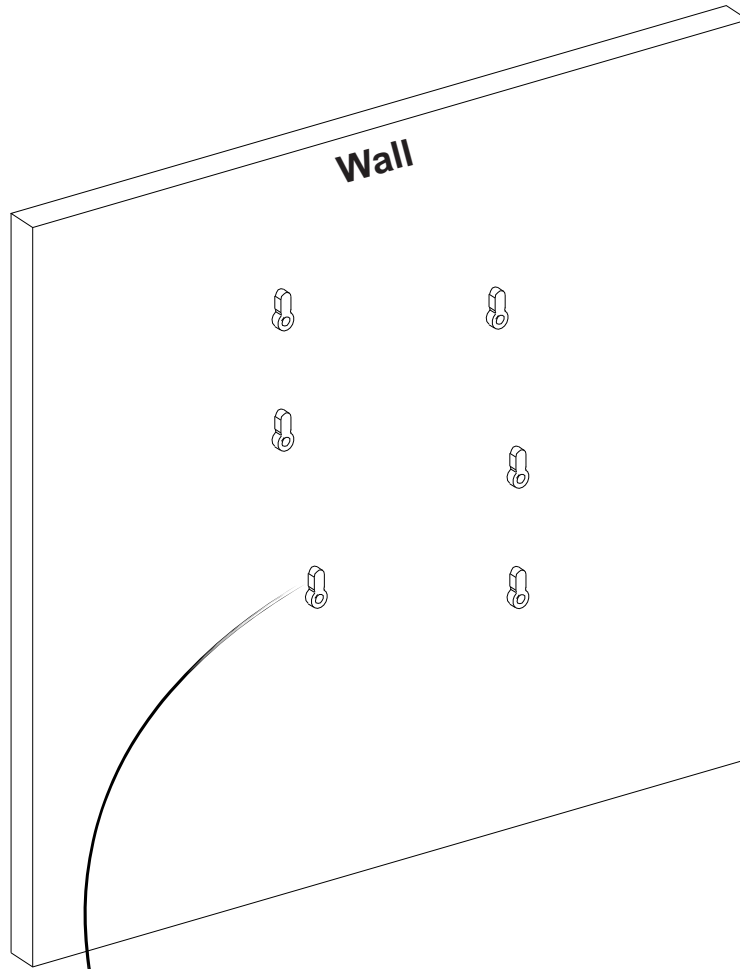
Step - 1



Step - 2



9^{step}



10^{step}

