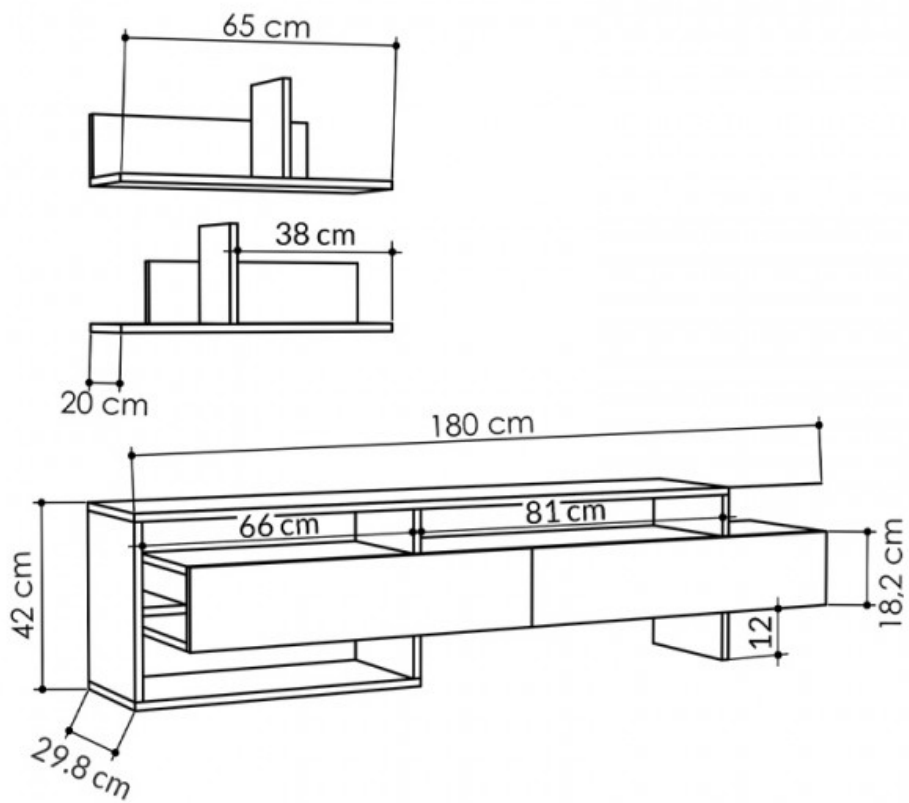
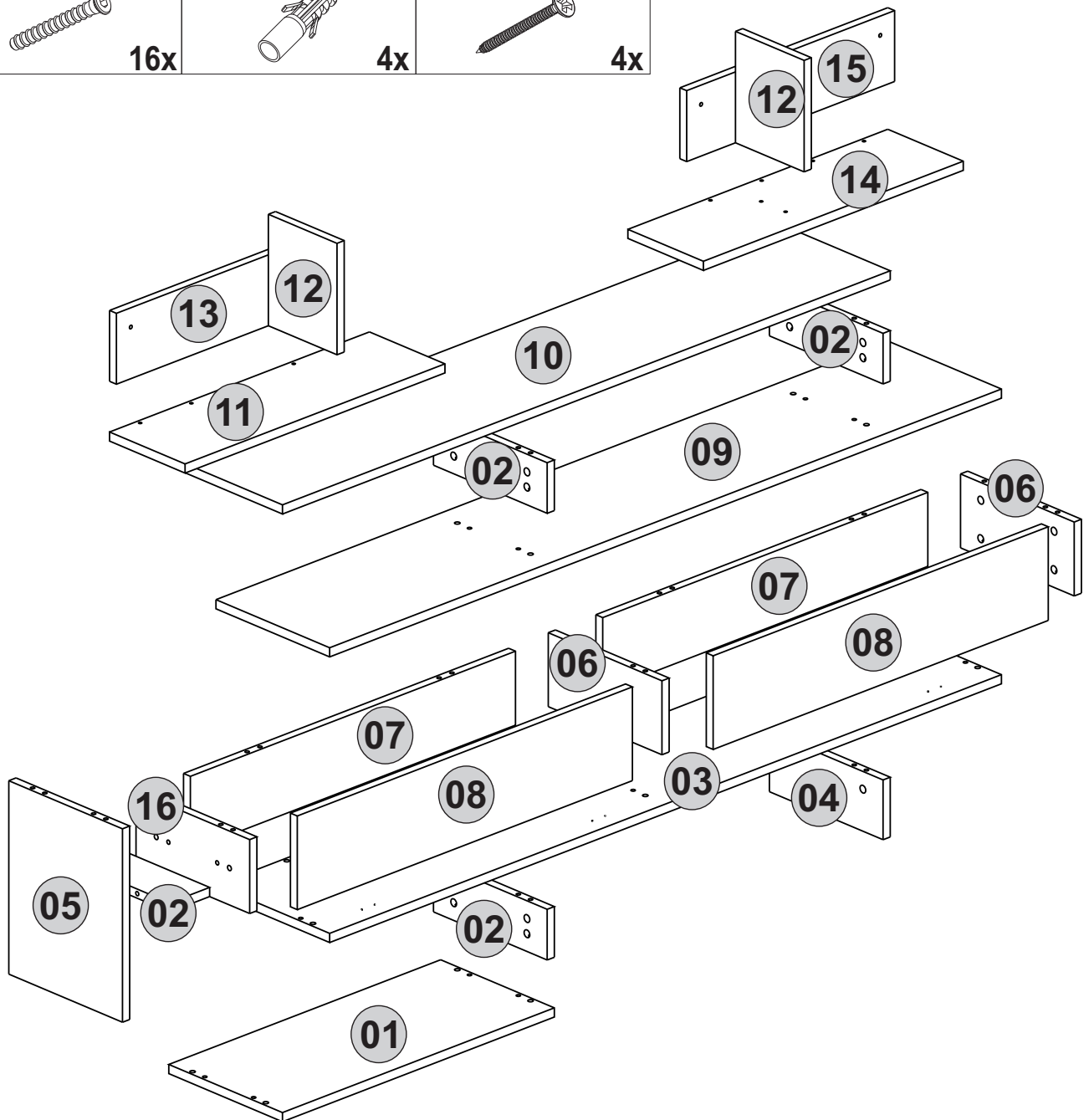




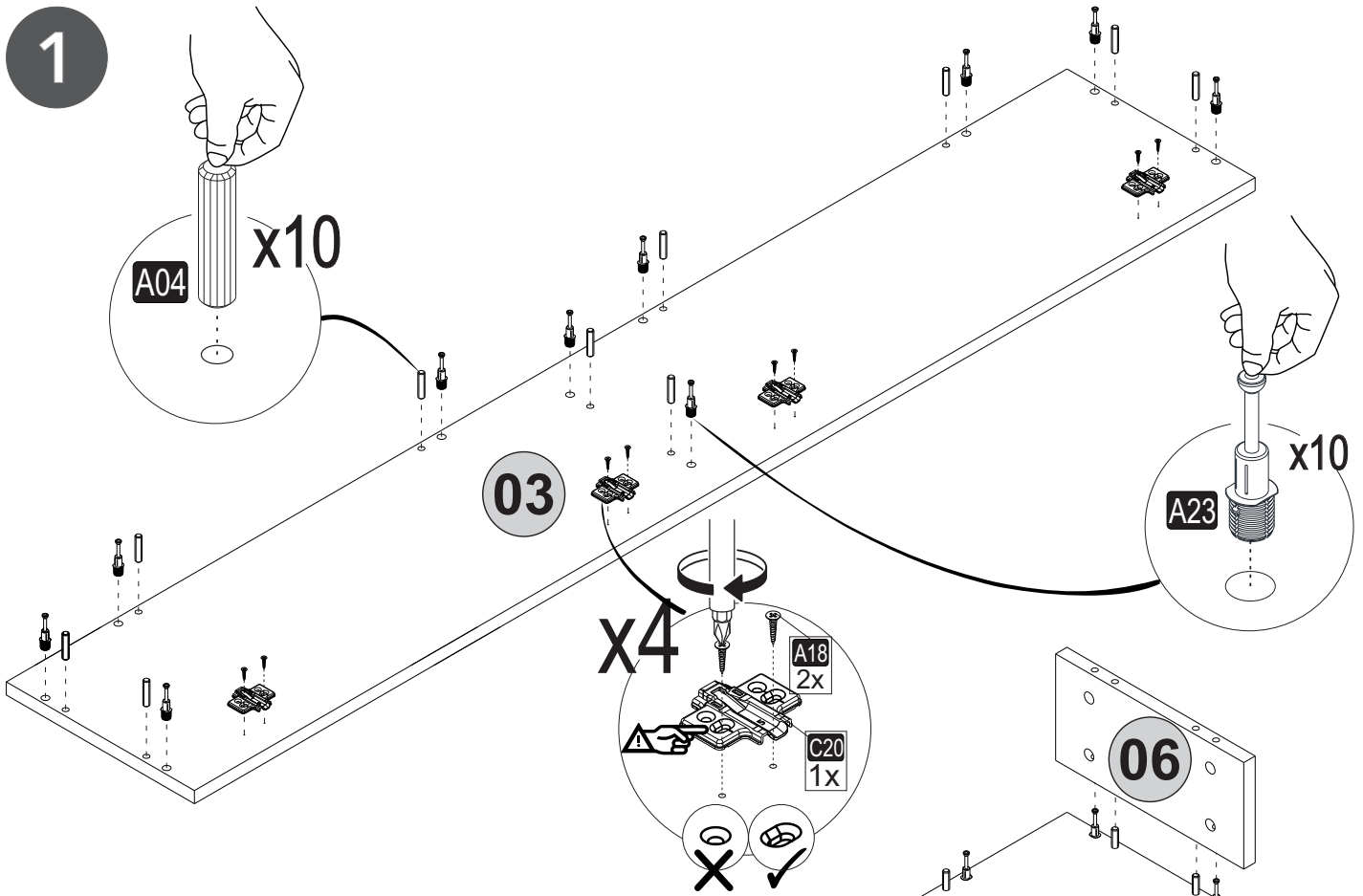
GP037-0079,1



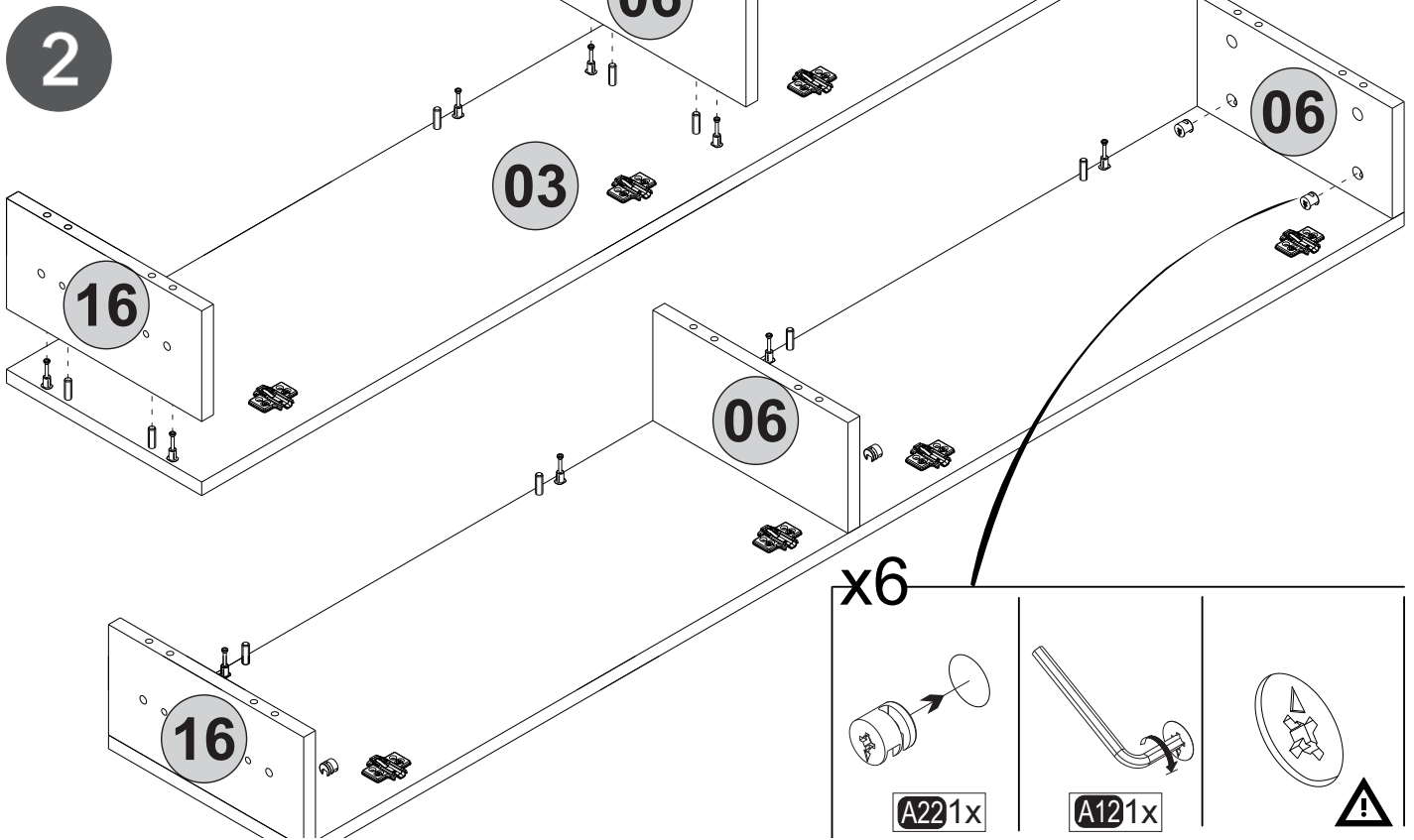
A04 Ø8x30 42x	A06 18mm C1-58x	A12 Allen 1x	A18 3,5x18 24x	A22 Minifix k18 42x
A23 Minifix M10 42x	PB01 Kece 6x	C14 Dm(S) 2x	C17 DmF(S) 2x	C20 Mtk(S) 4x
A13 50mm 16x	A16 DbØ8 4x	A33 4x60 4x		



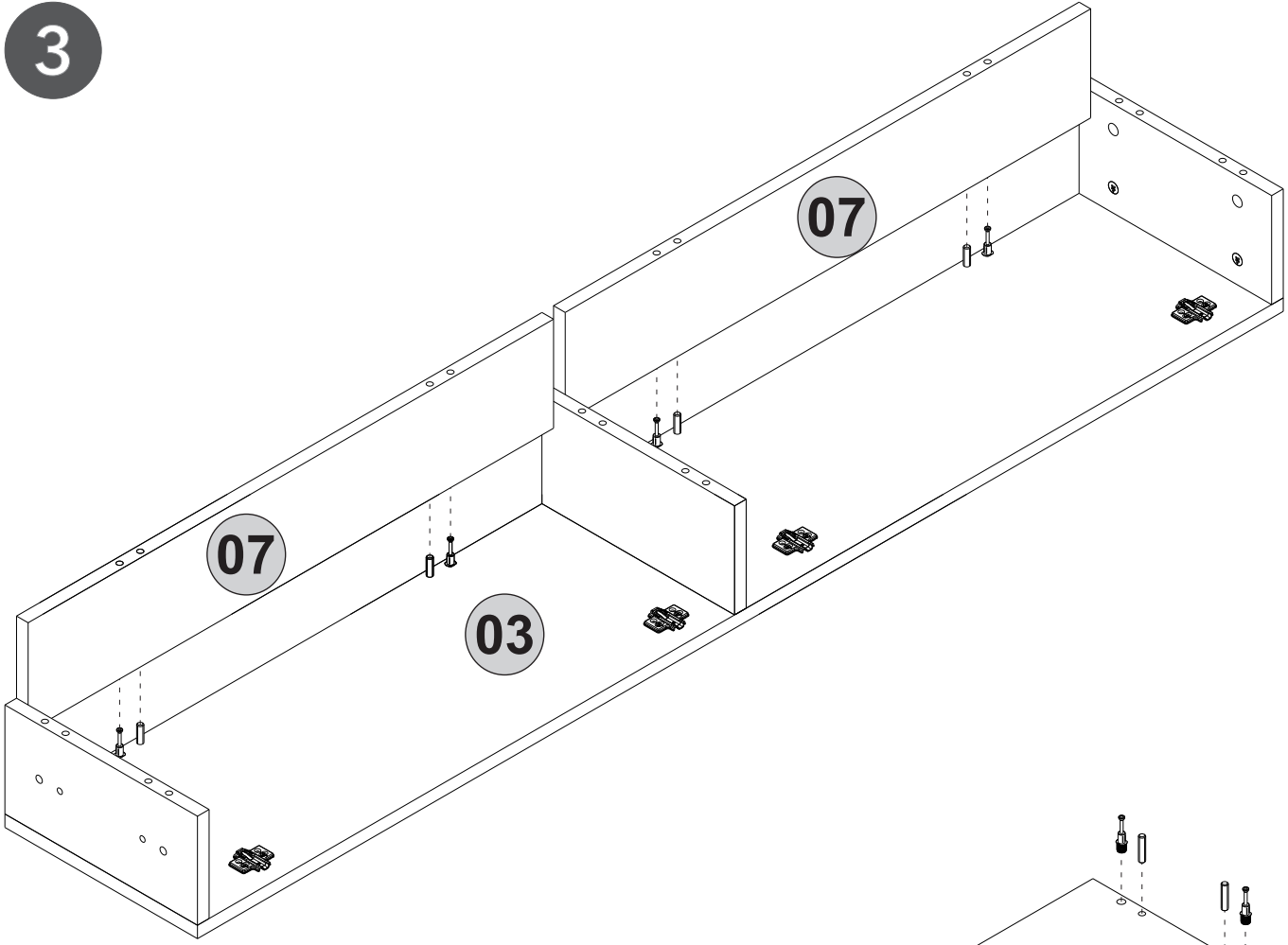
1



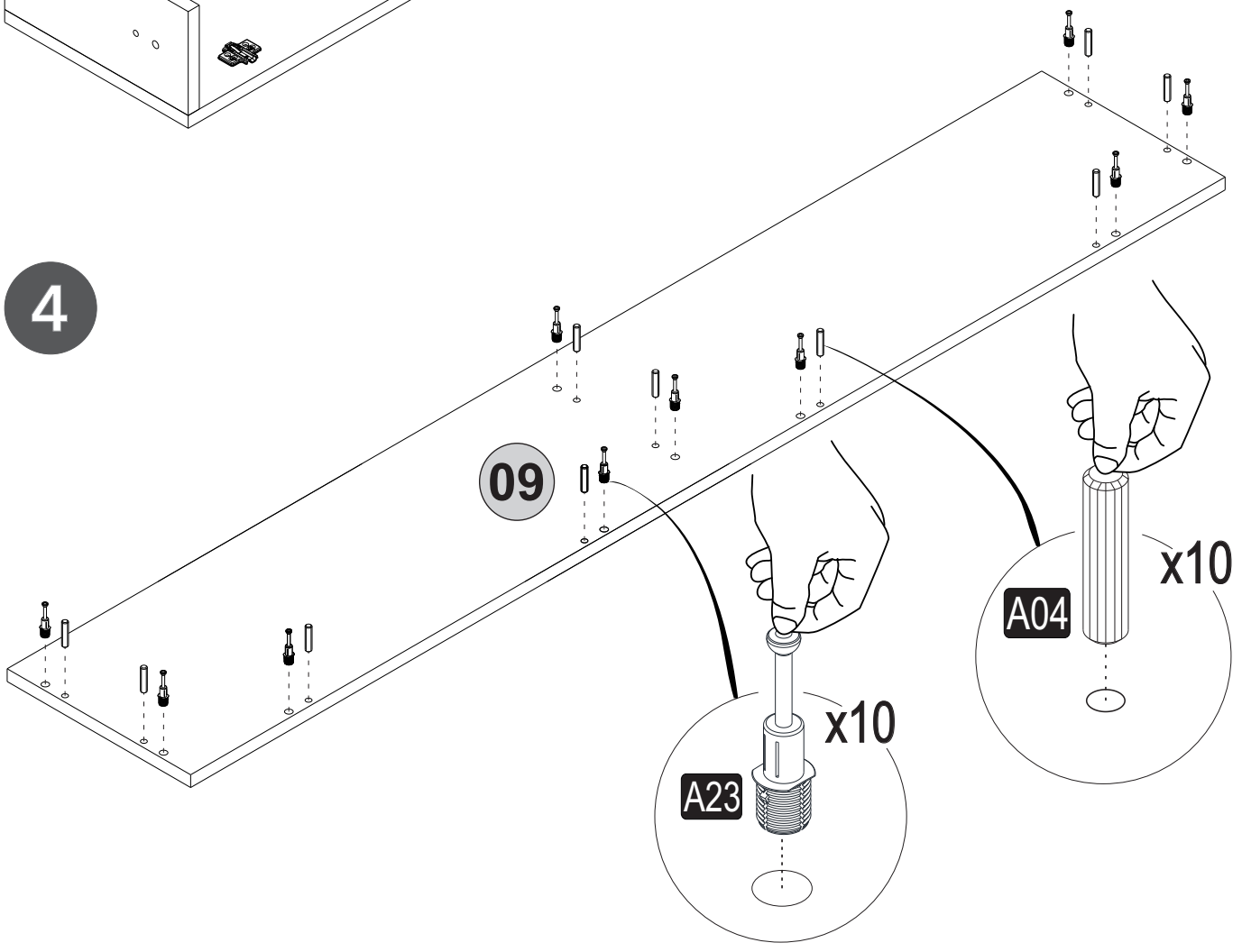
2



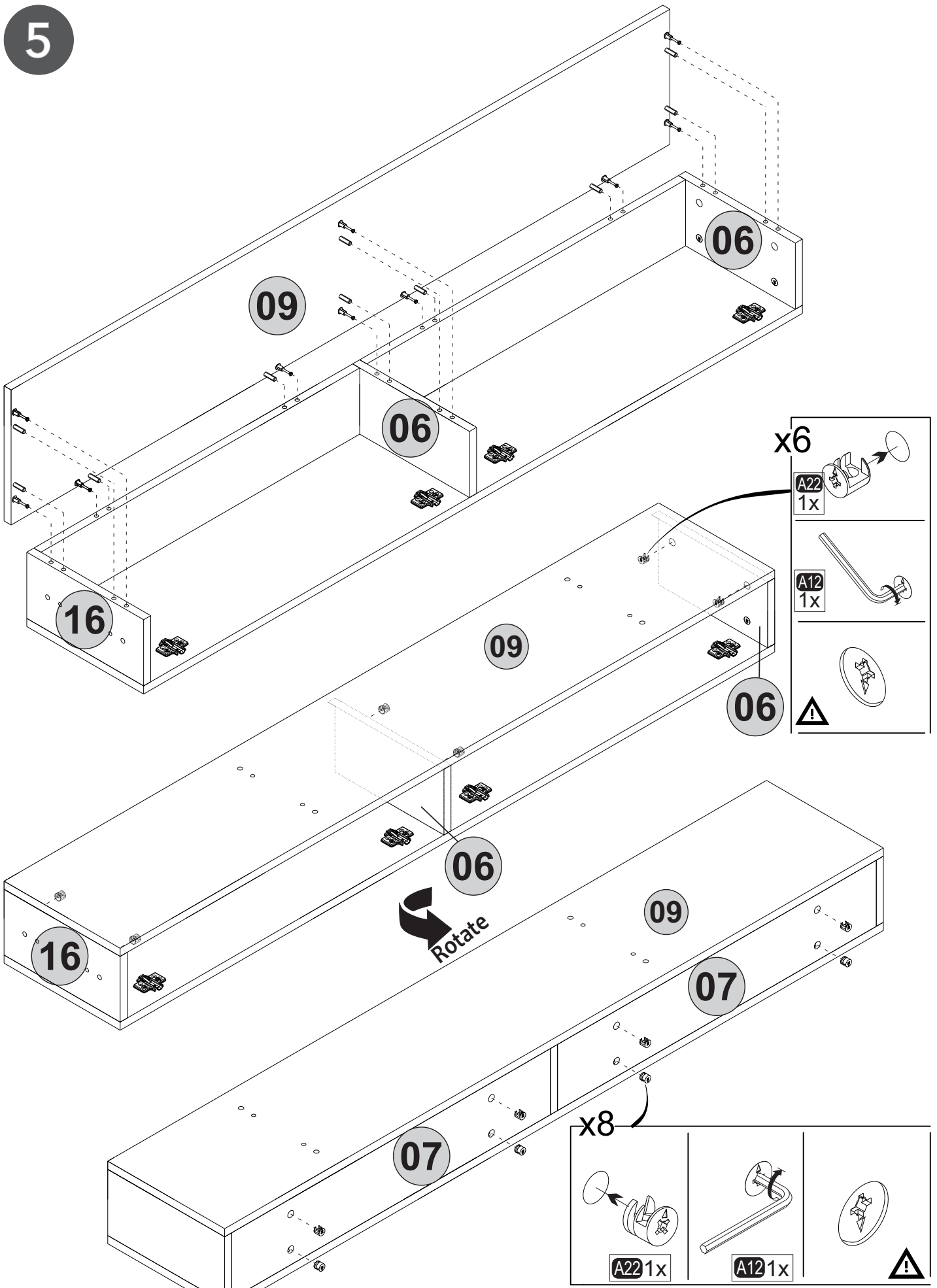
3



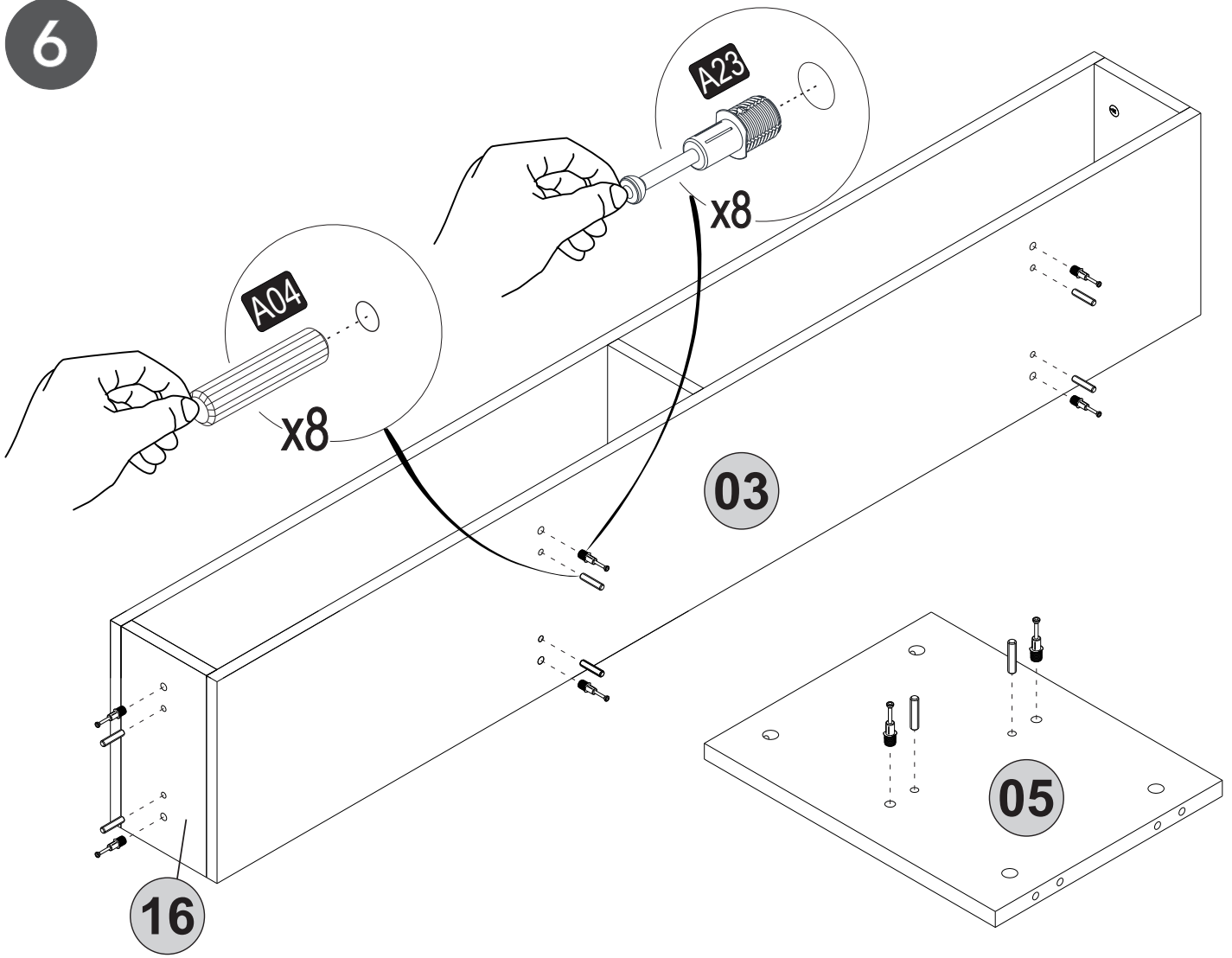
4



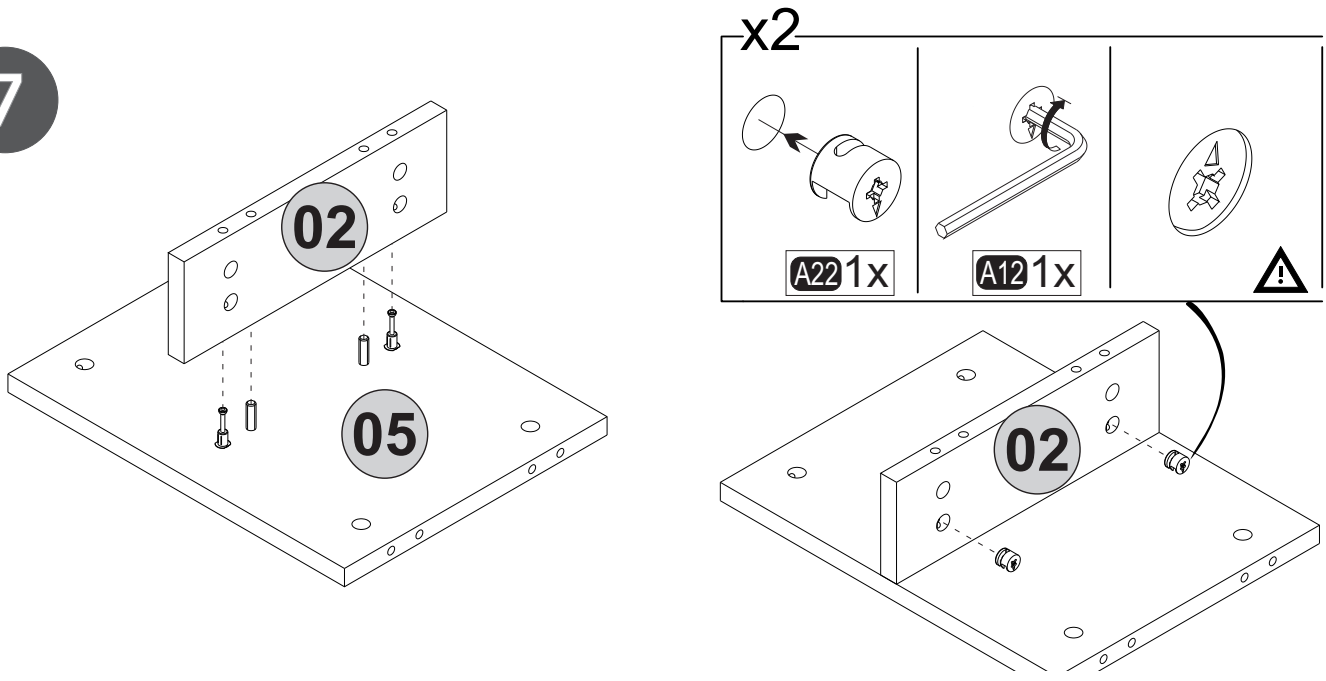
5



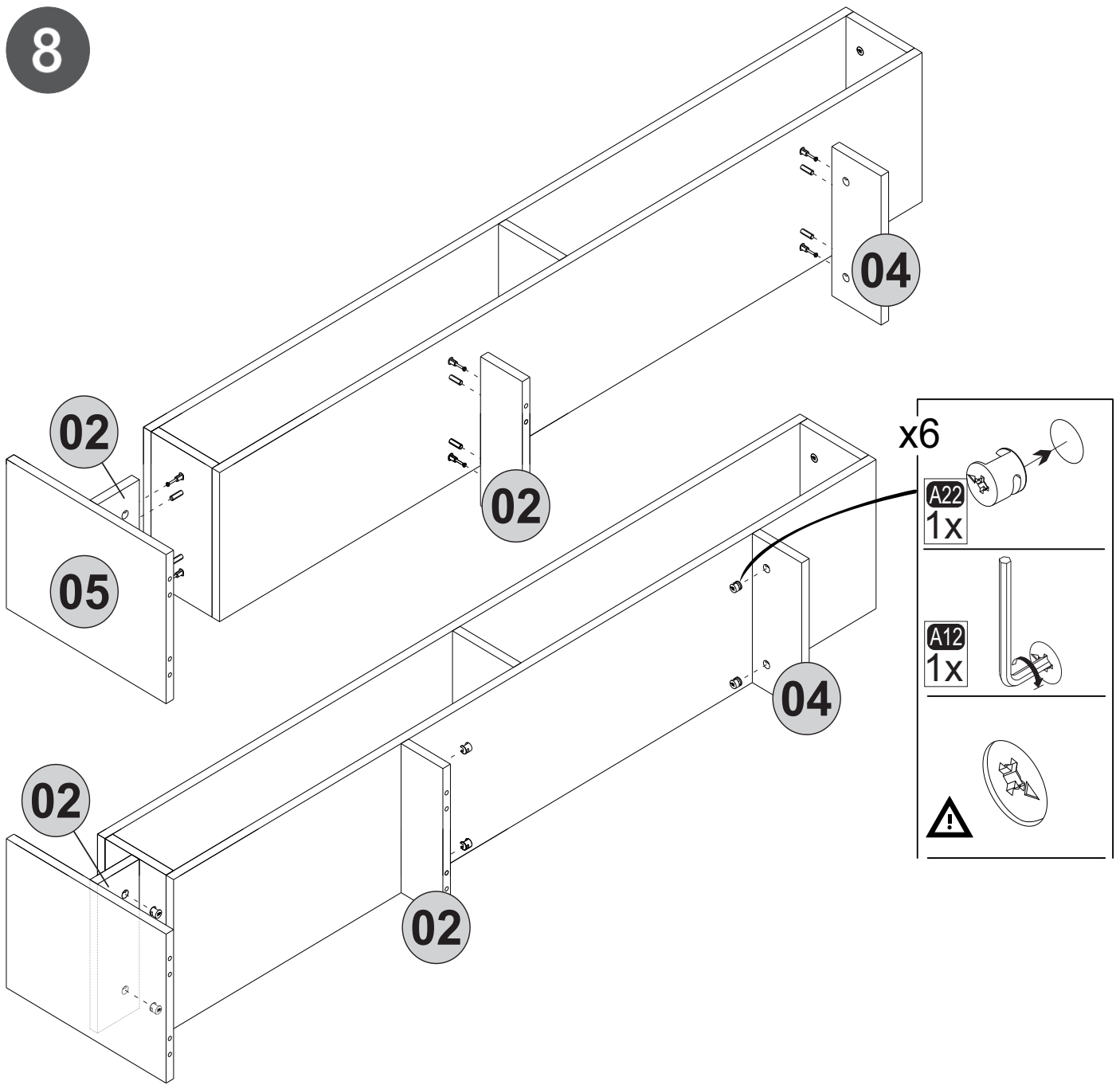
6



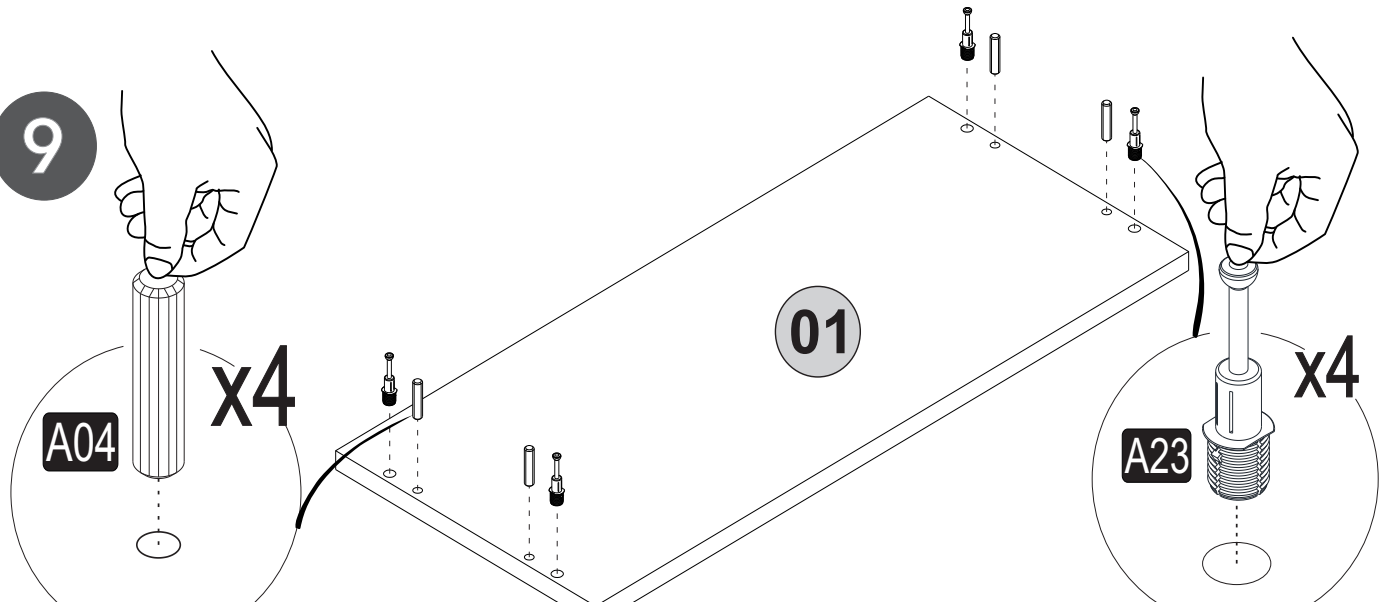
7



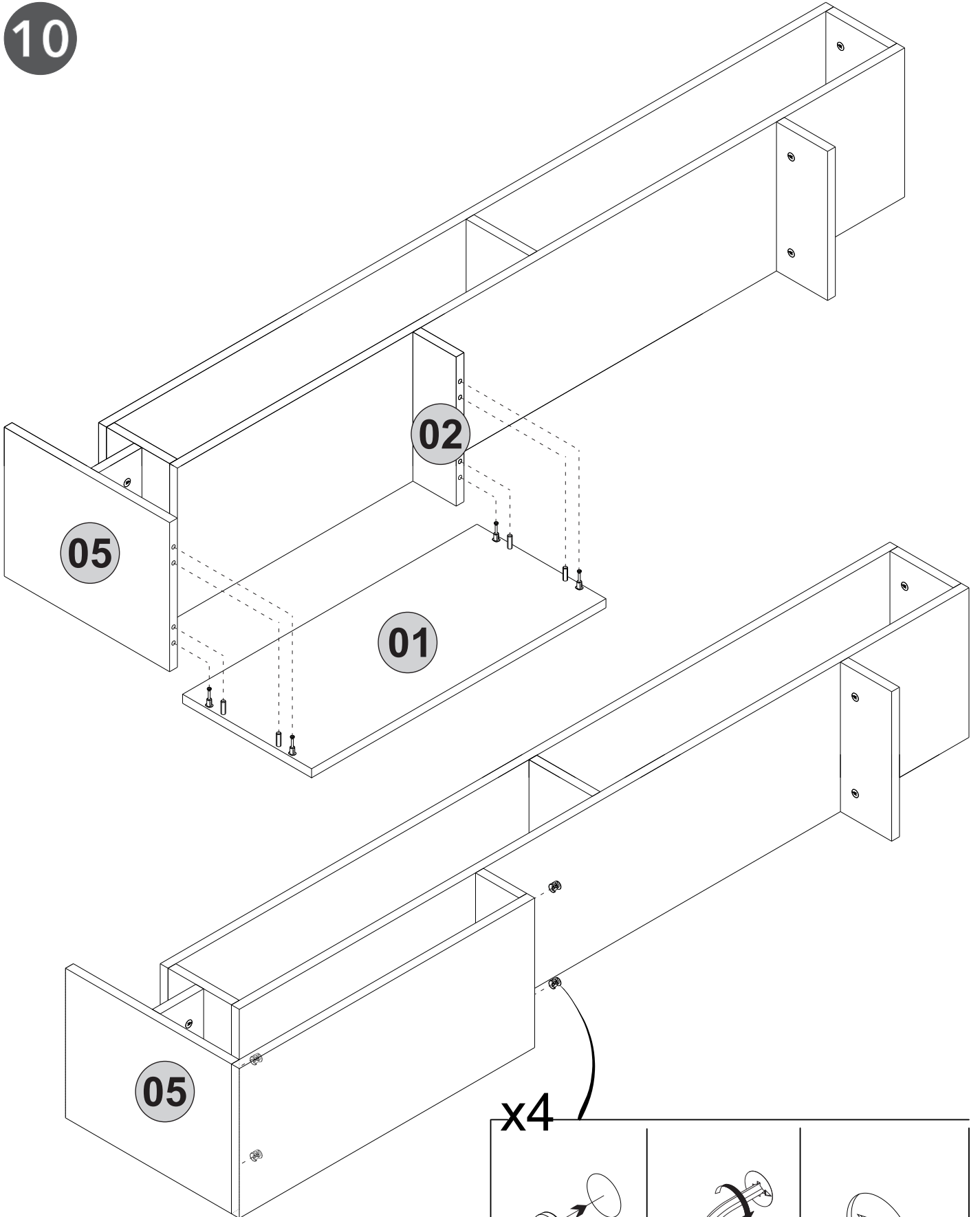
8



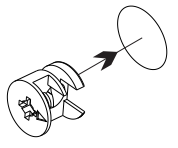

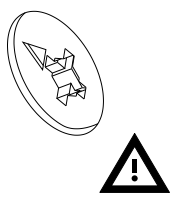
9



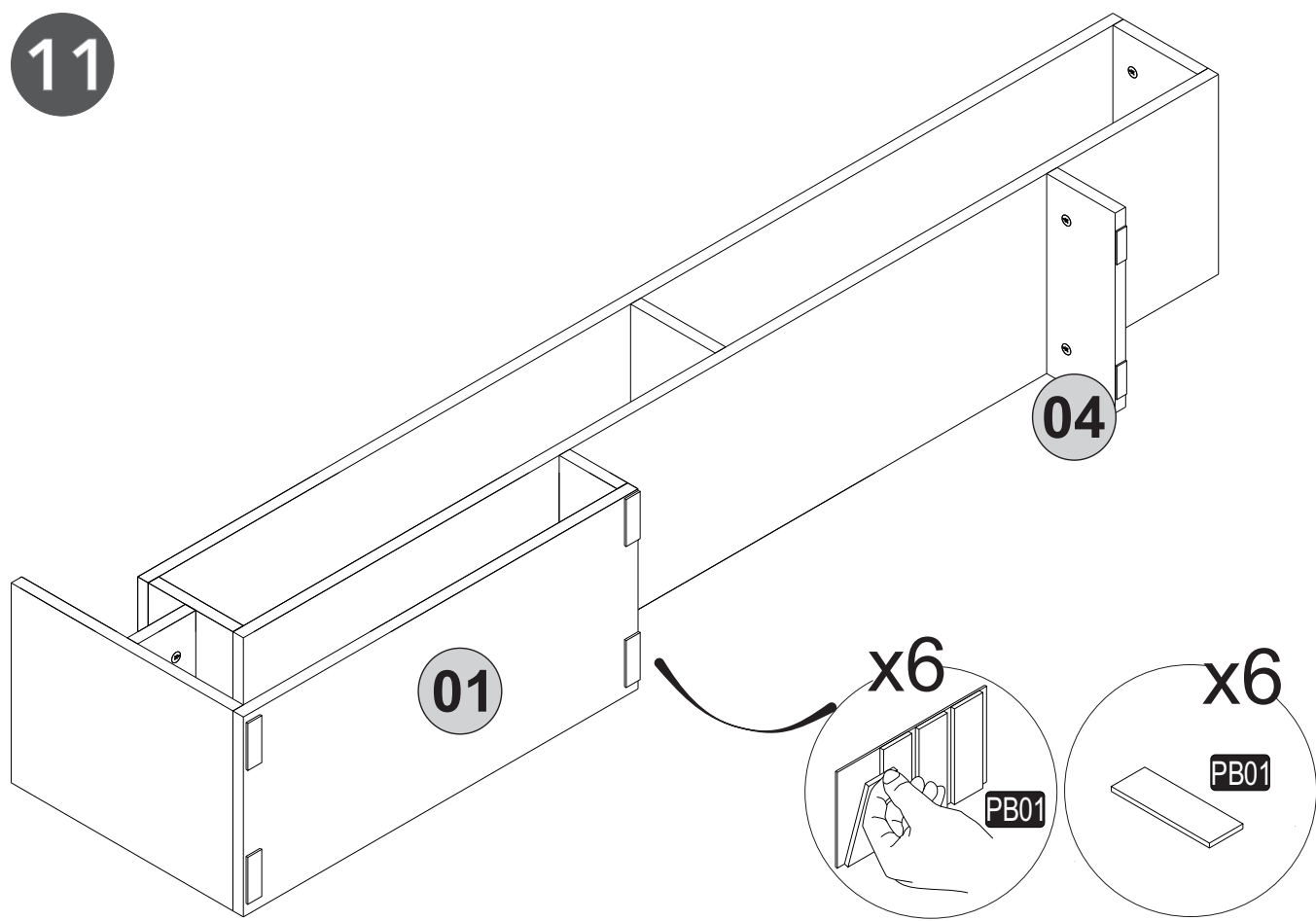
10



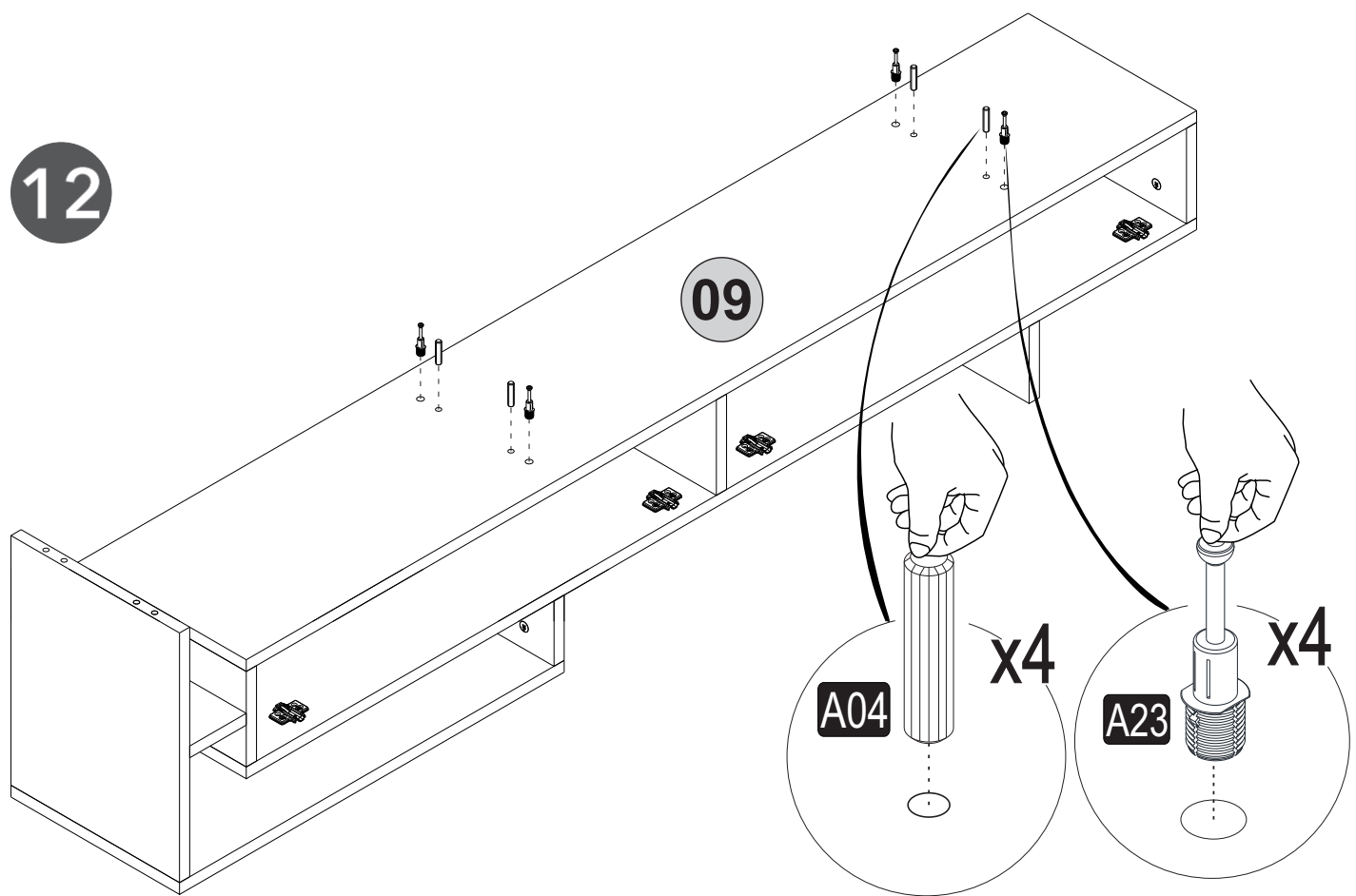
x4

 <p>A221x</p>	 <p>A121x</p>	 <p>!</p>
--	--	--

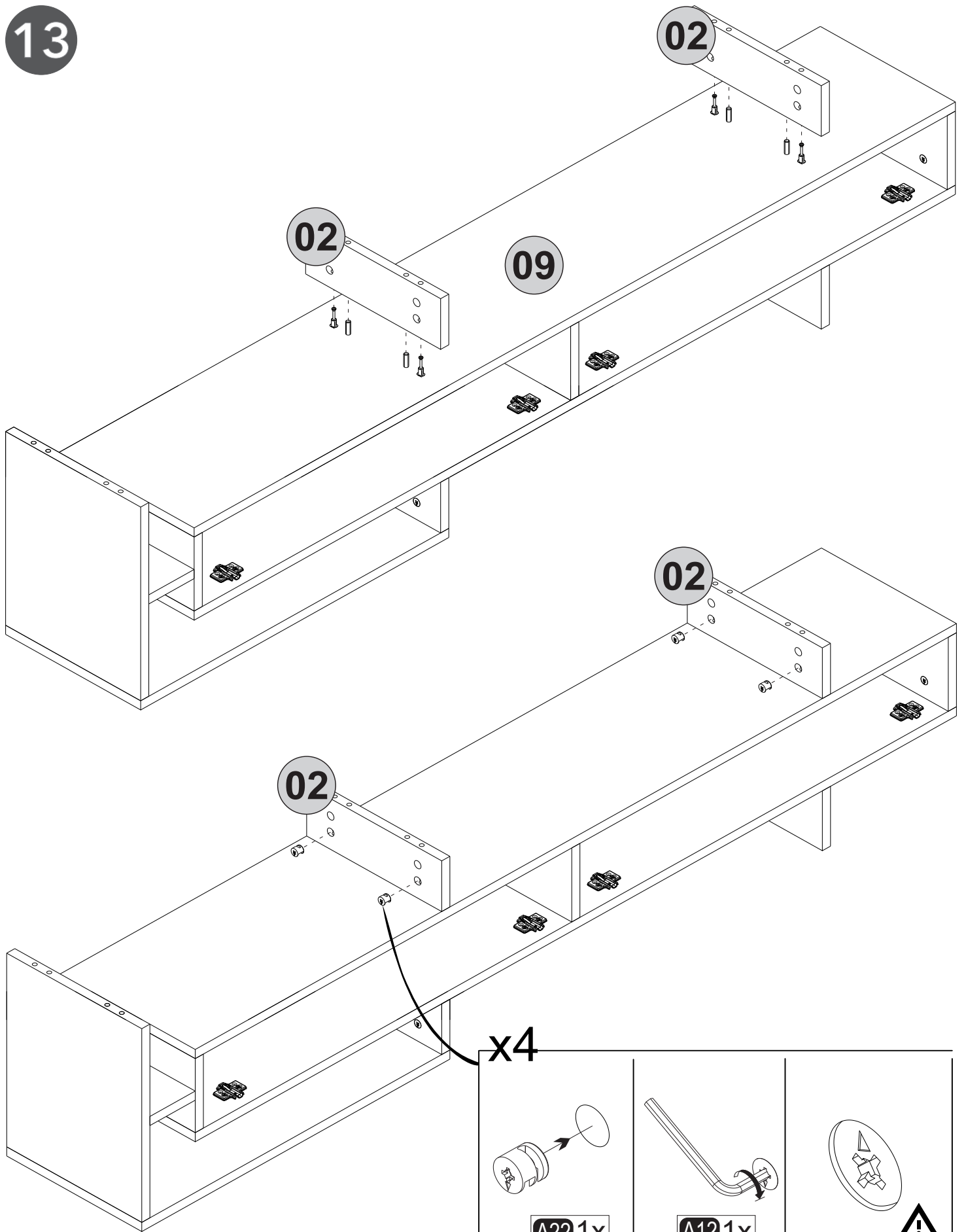
11



12



13



02

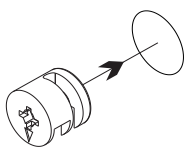
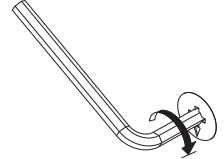
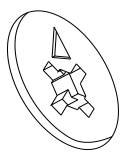
02

09

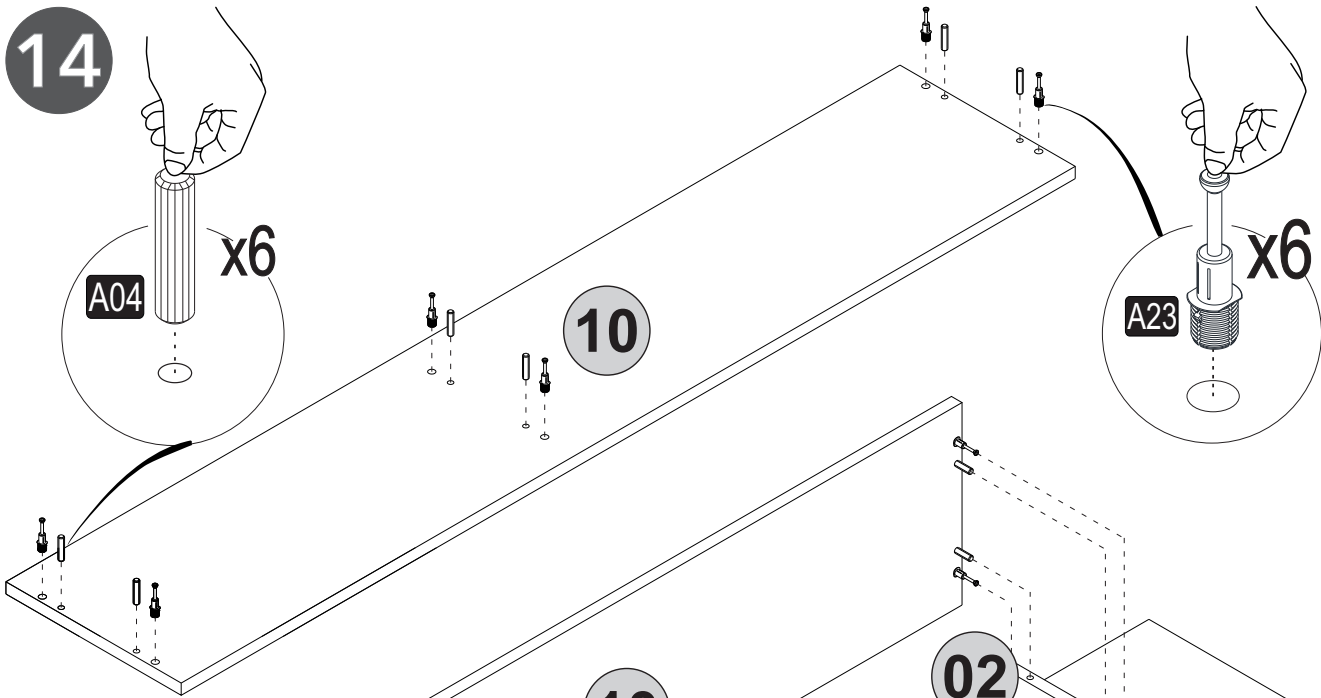
02

02

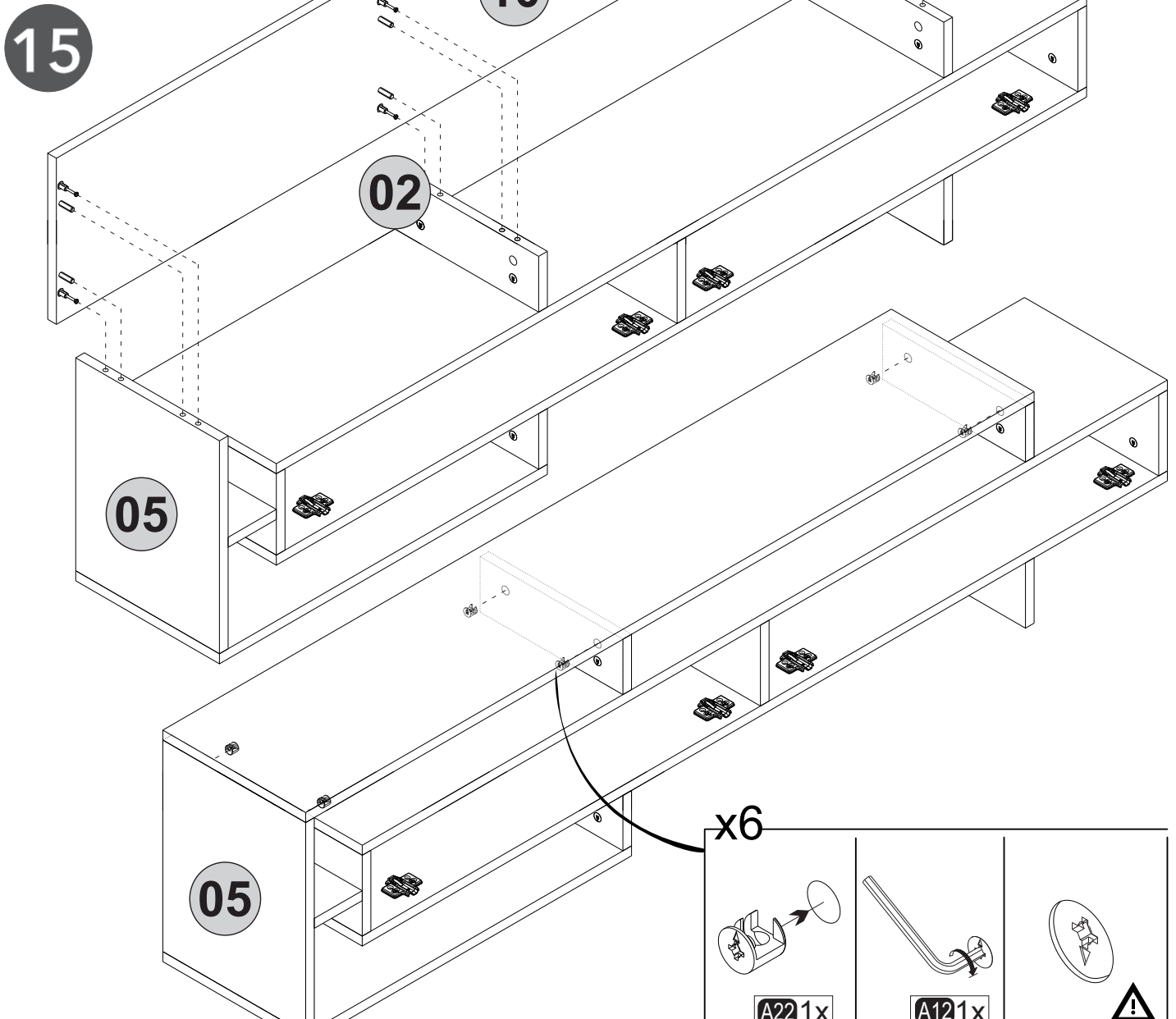
x4

 A22 1x	 A12 1x	 !
---	--	--

14



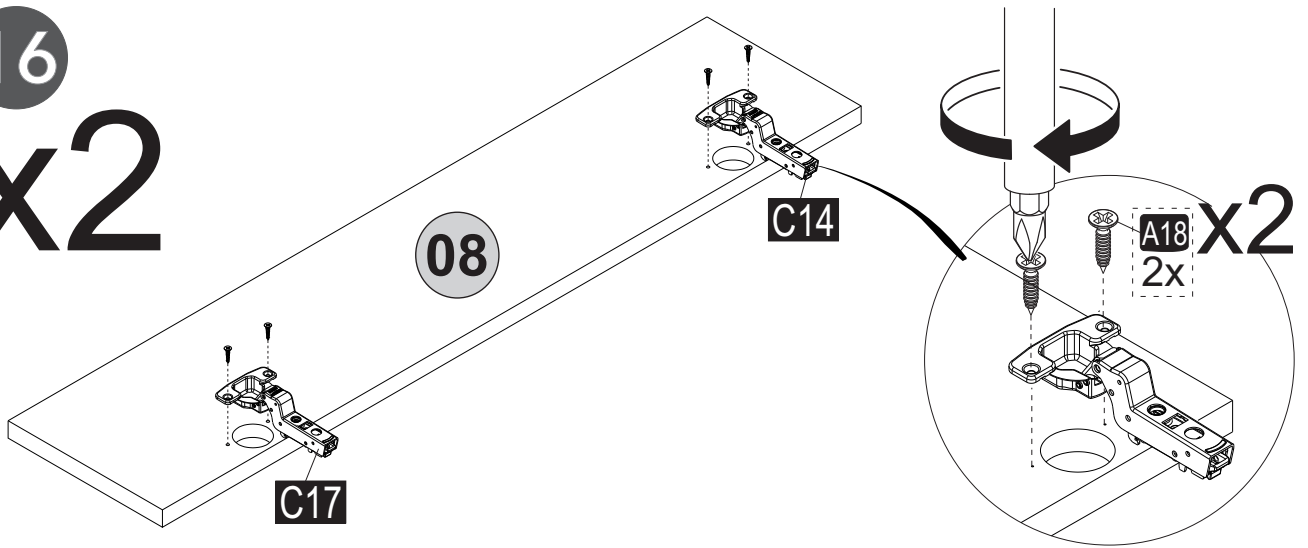
15



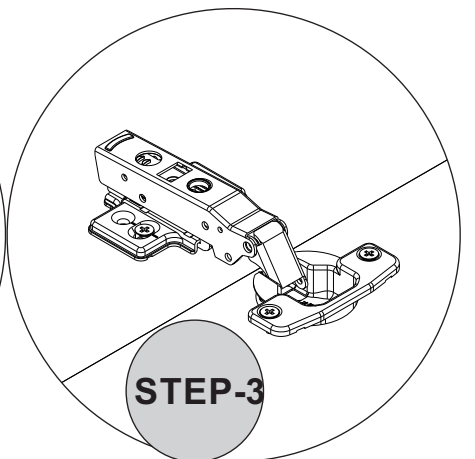
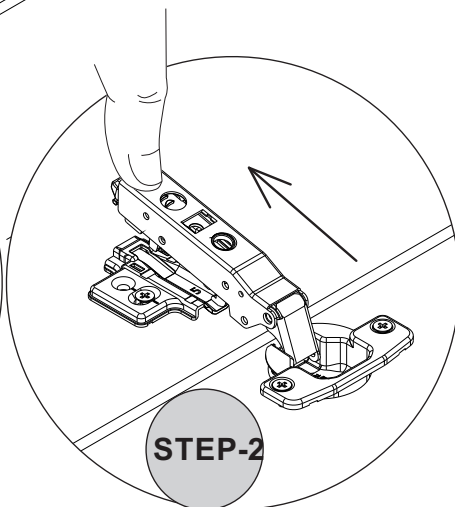
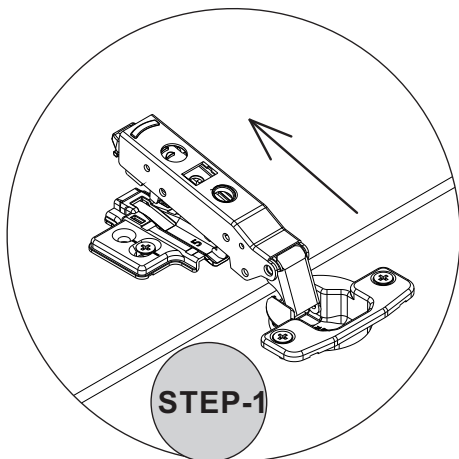
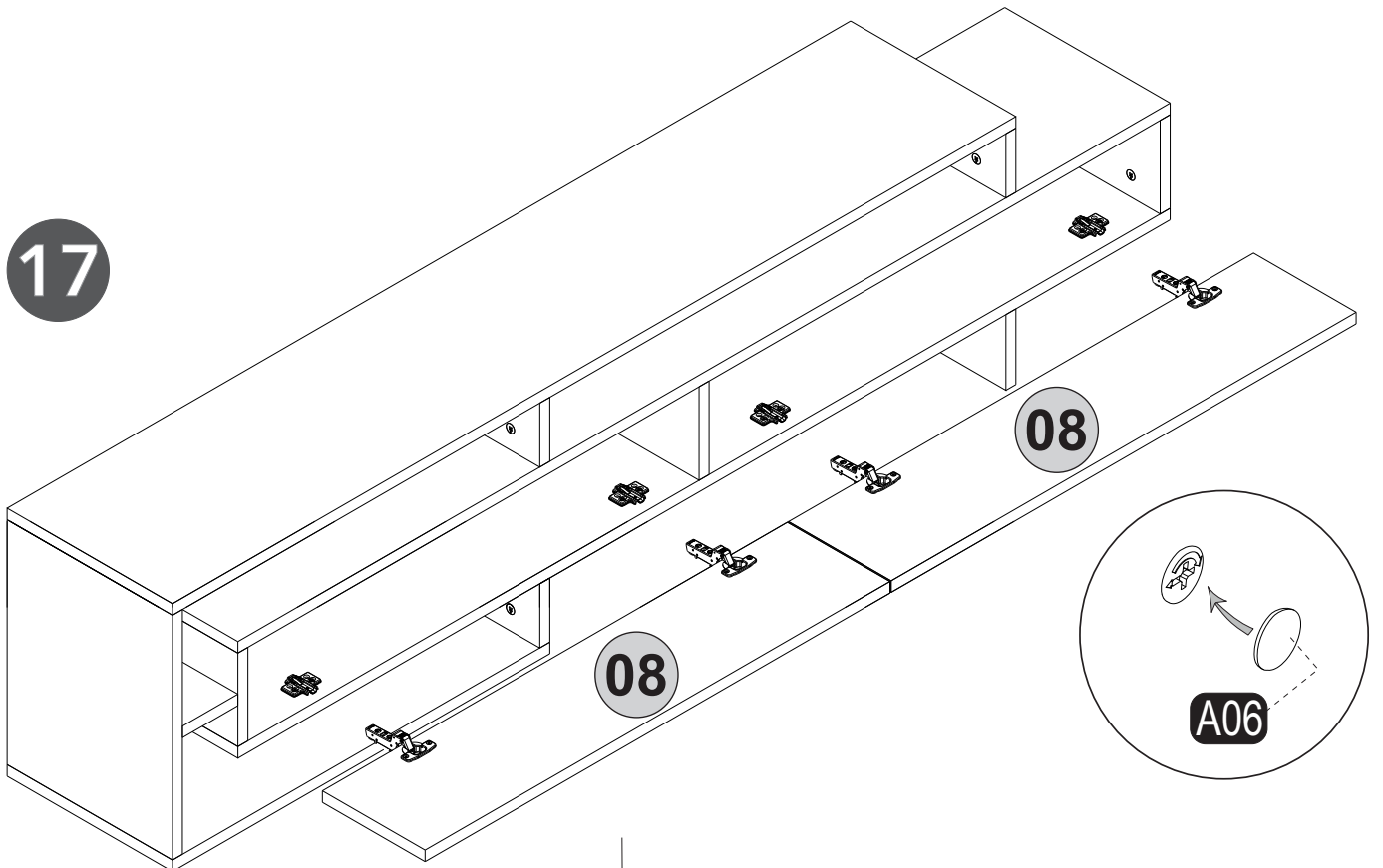
x6

A22 1x	A12 1x	

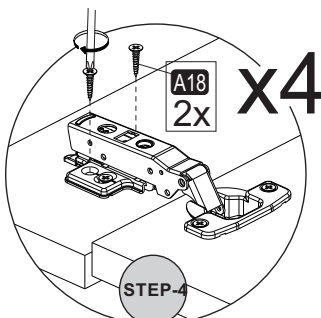
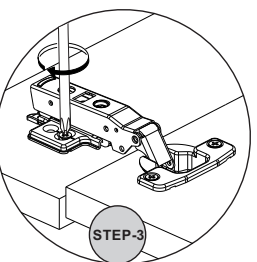
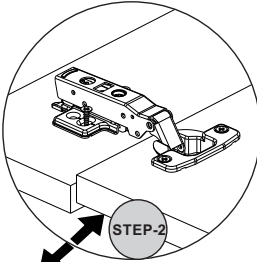
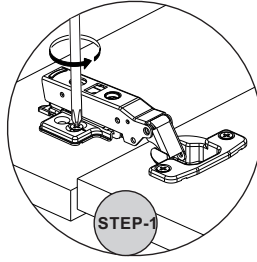
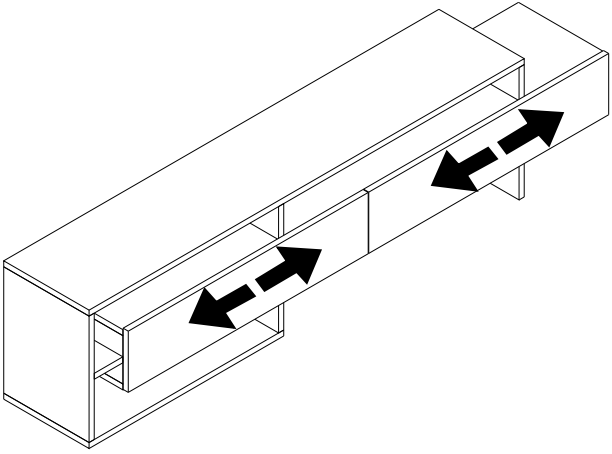
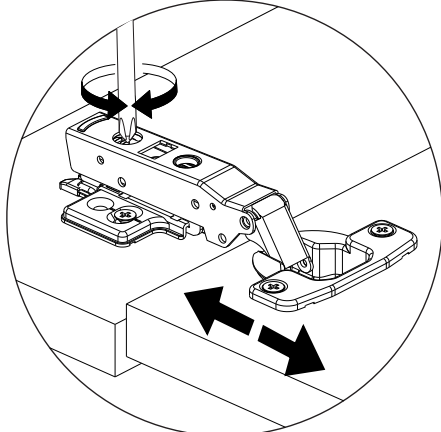
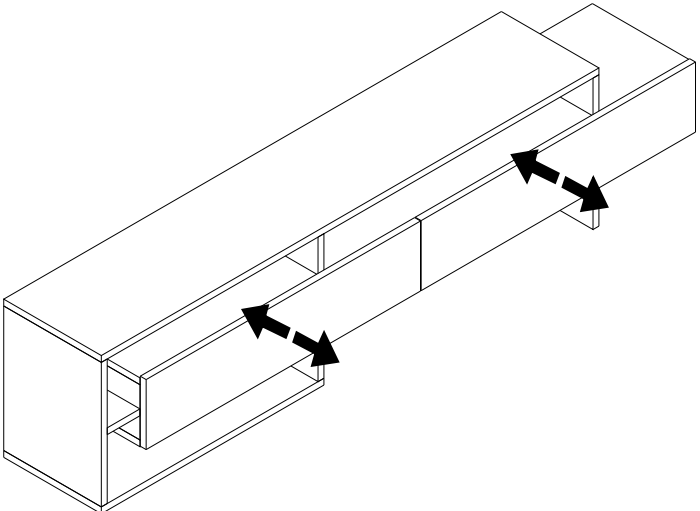
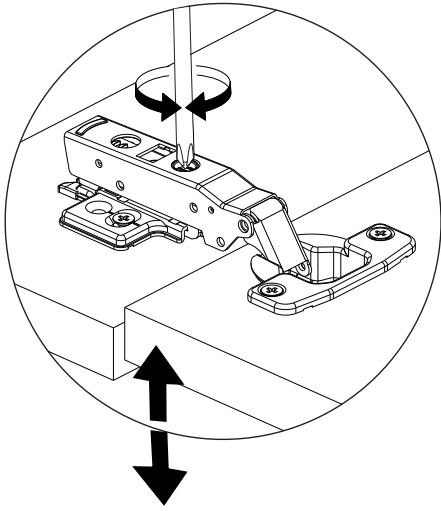
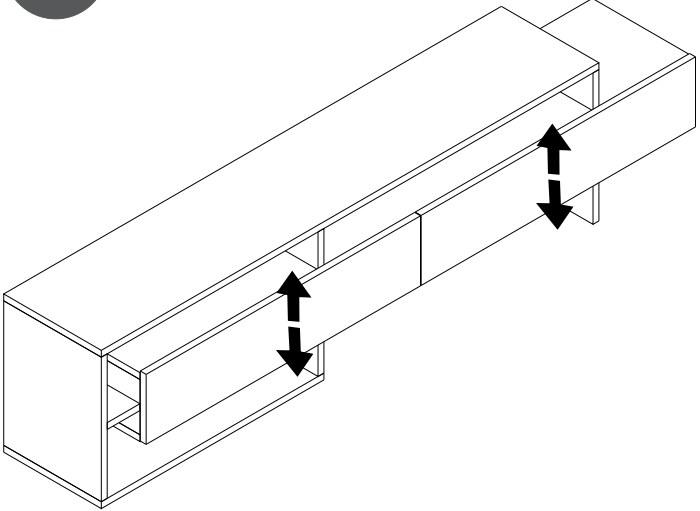
16
x2



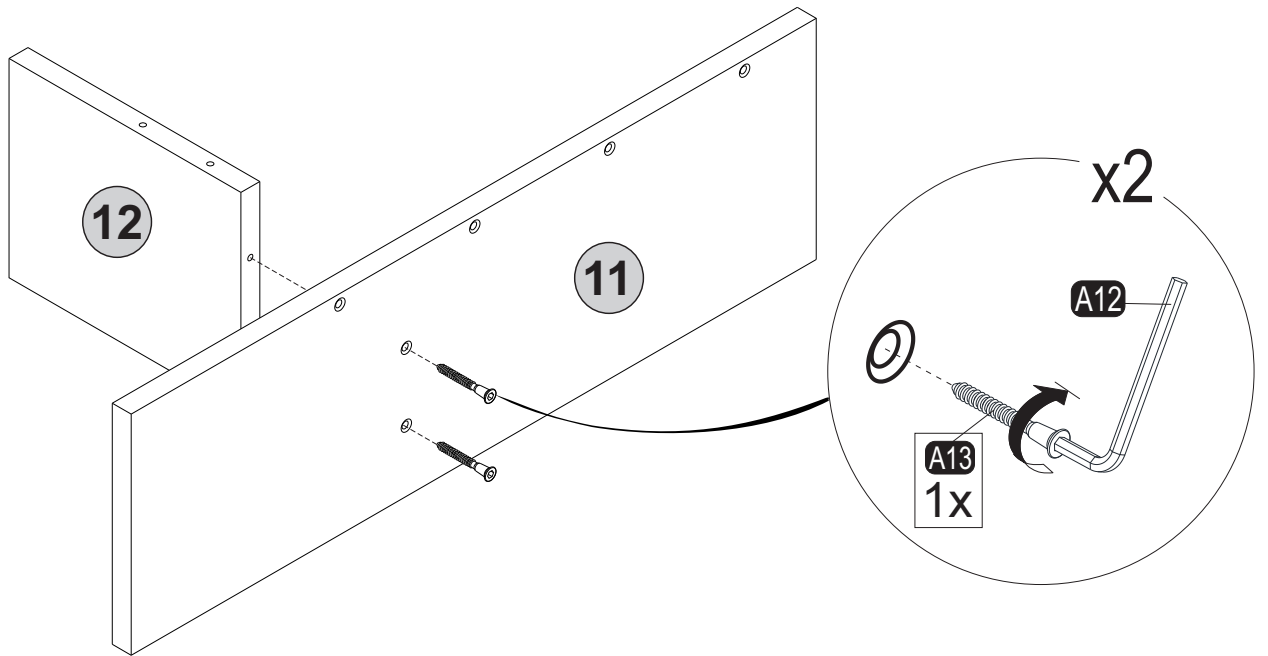
17



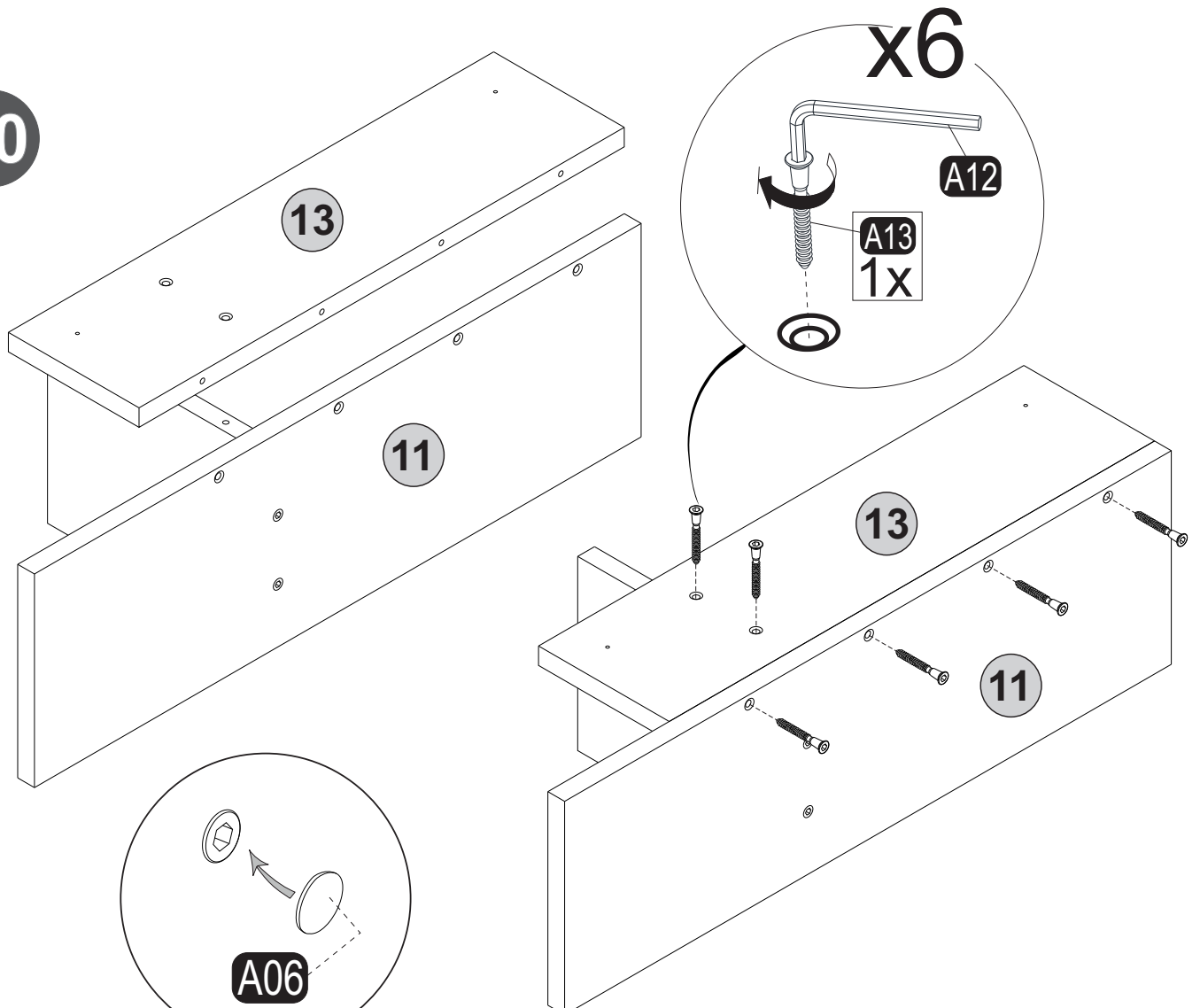
18



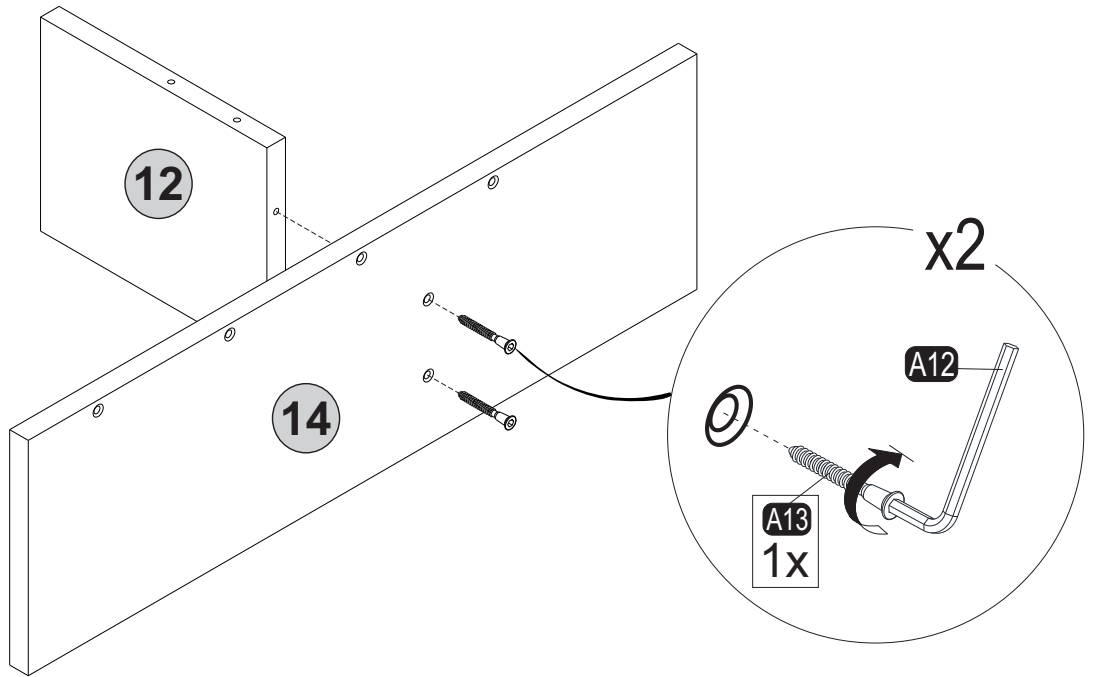
19



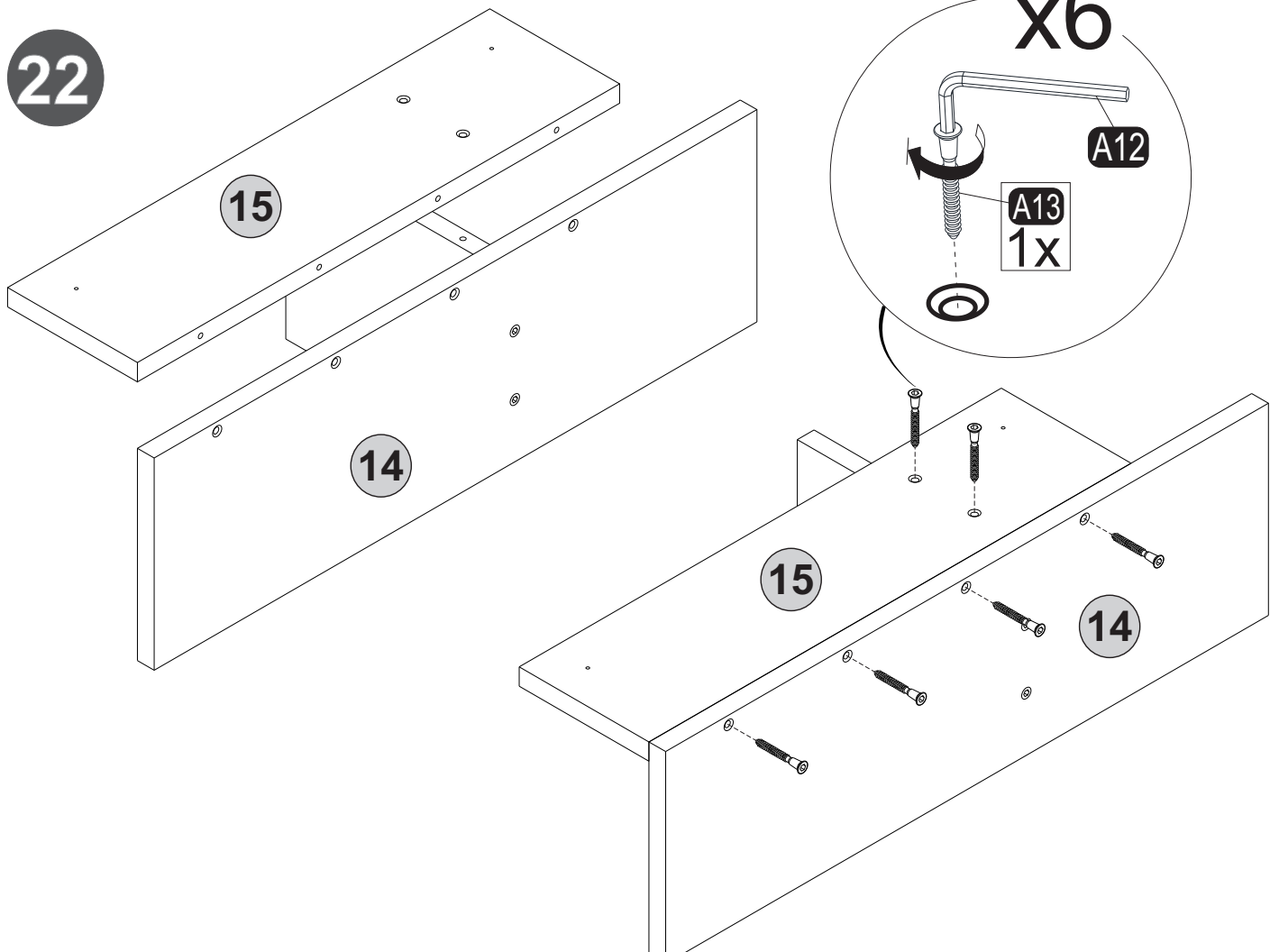
20



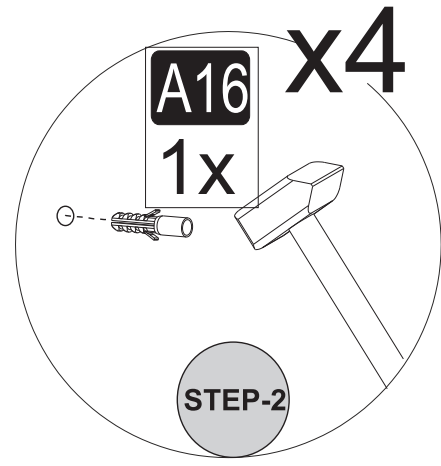
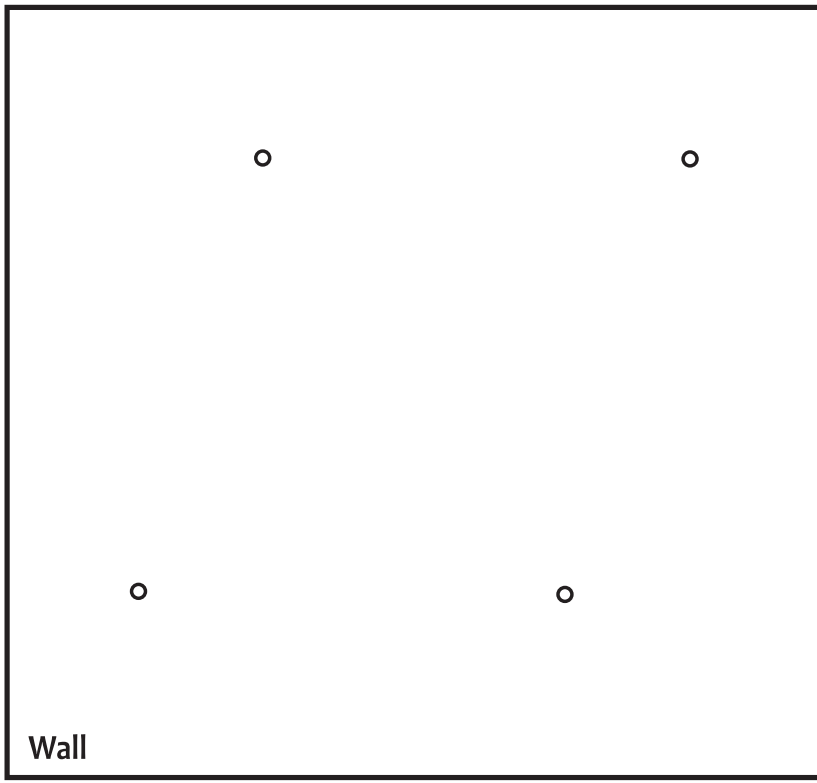
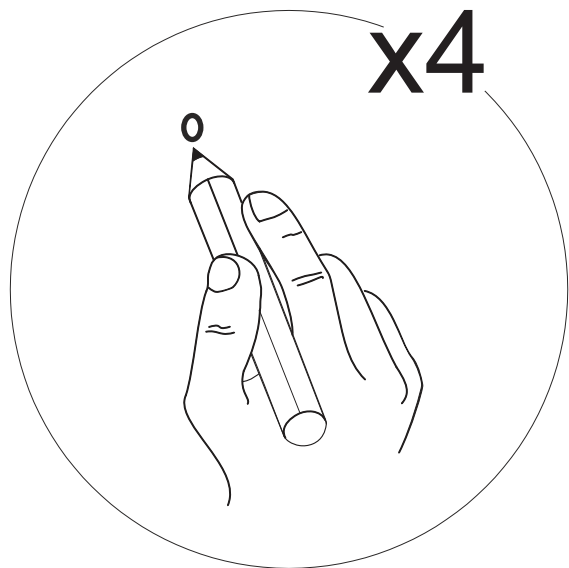
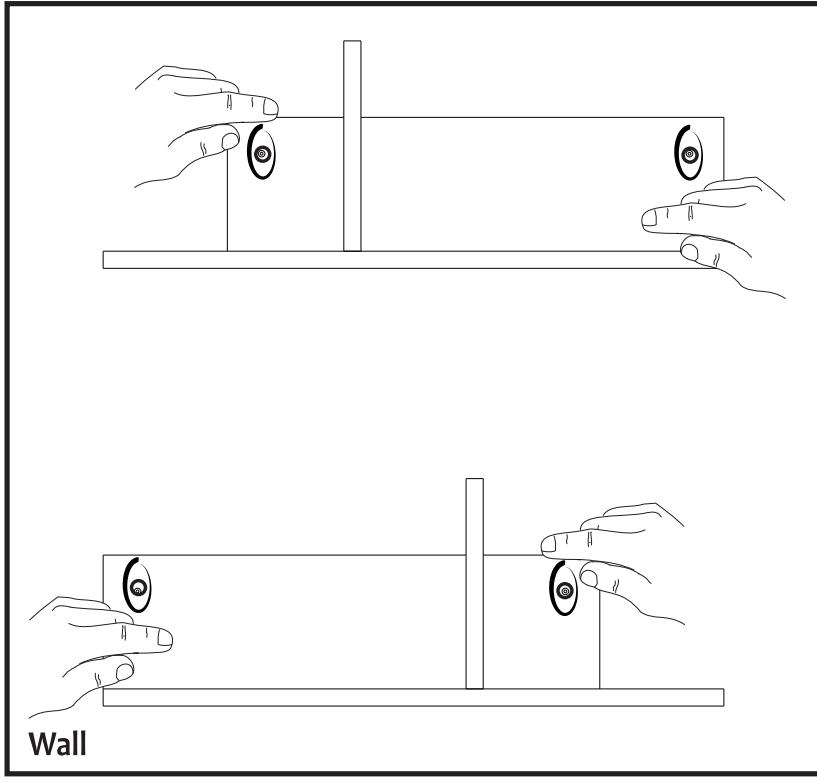
21



22



23



24

