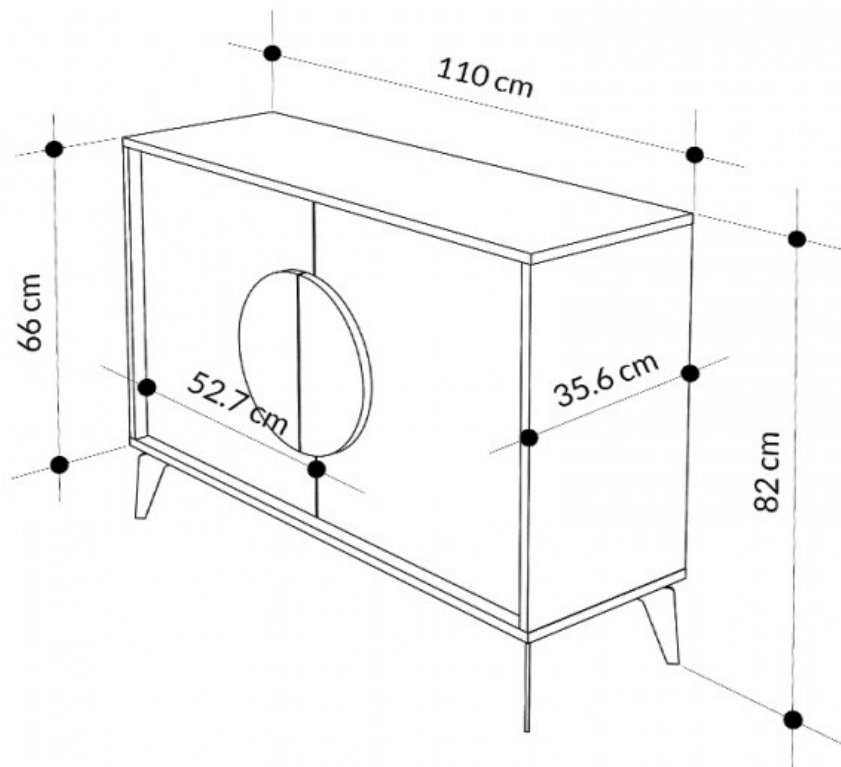
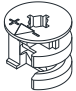
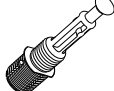
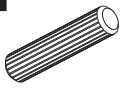
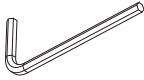

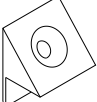

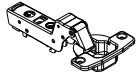


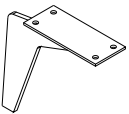




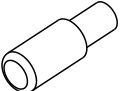

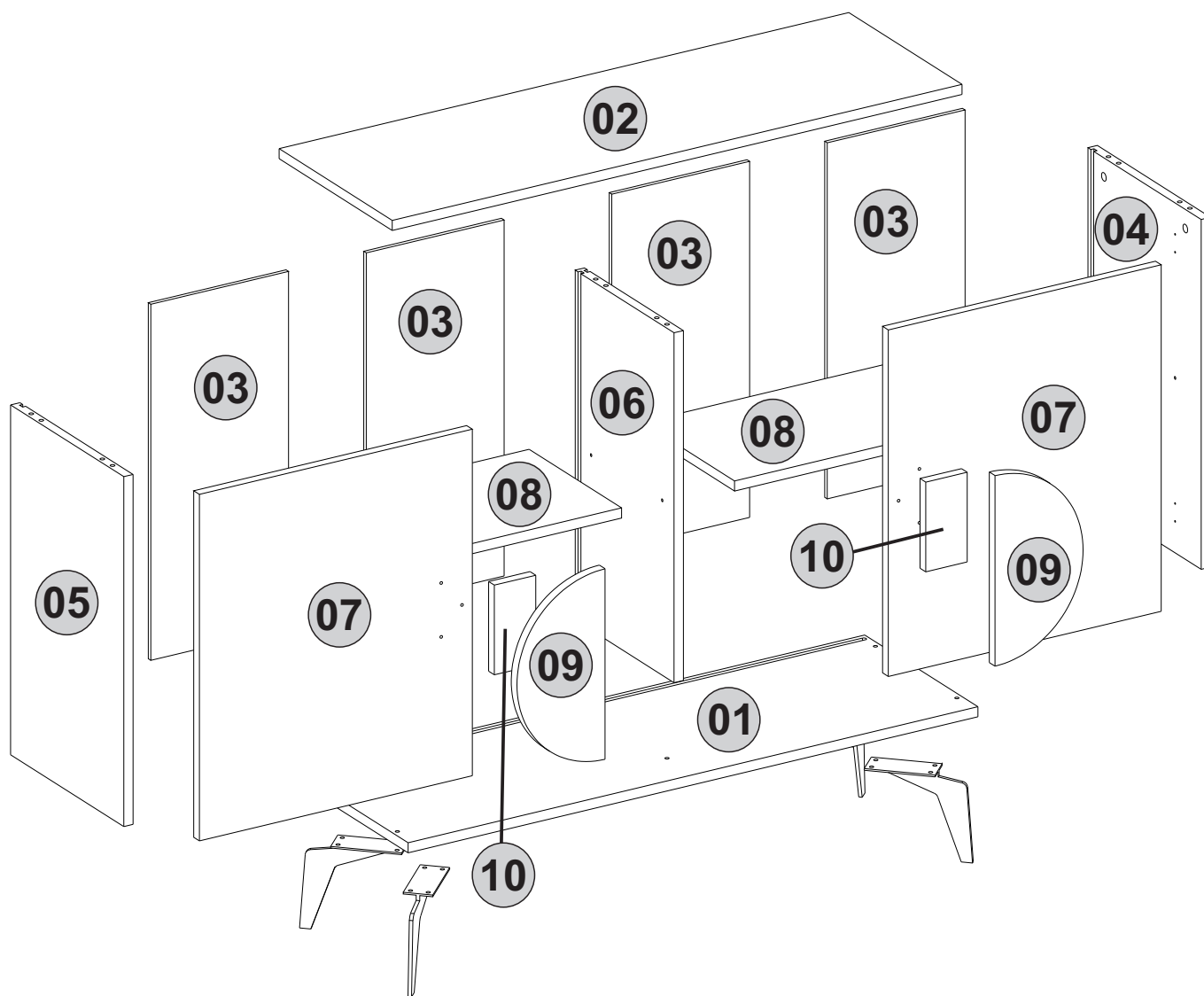
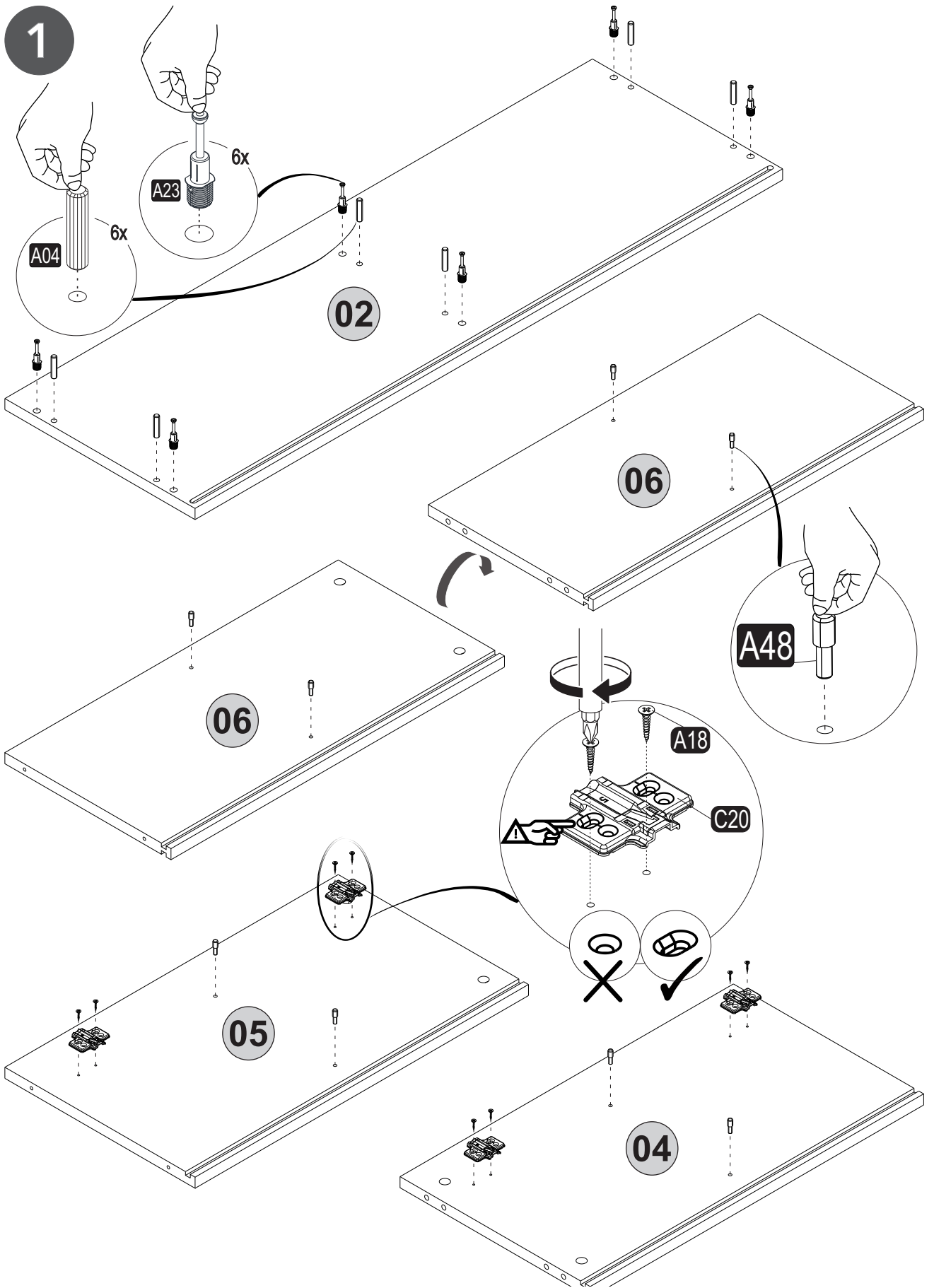


**i** GP037-0082,3

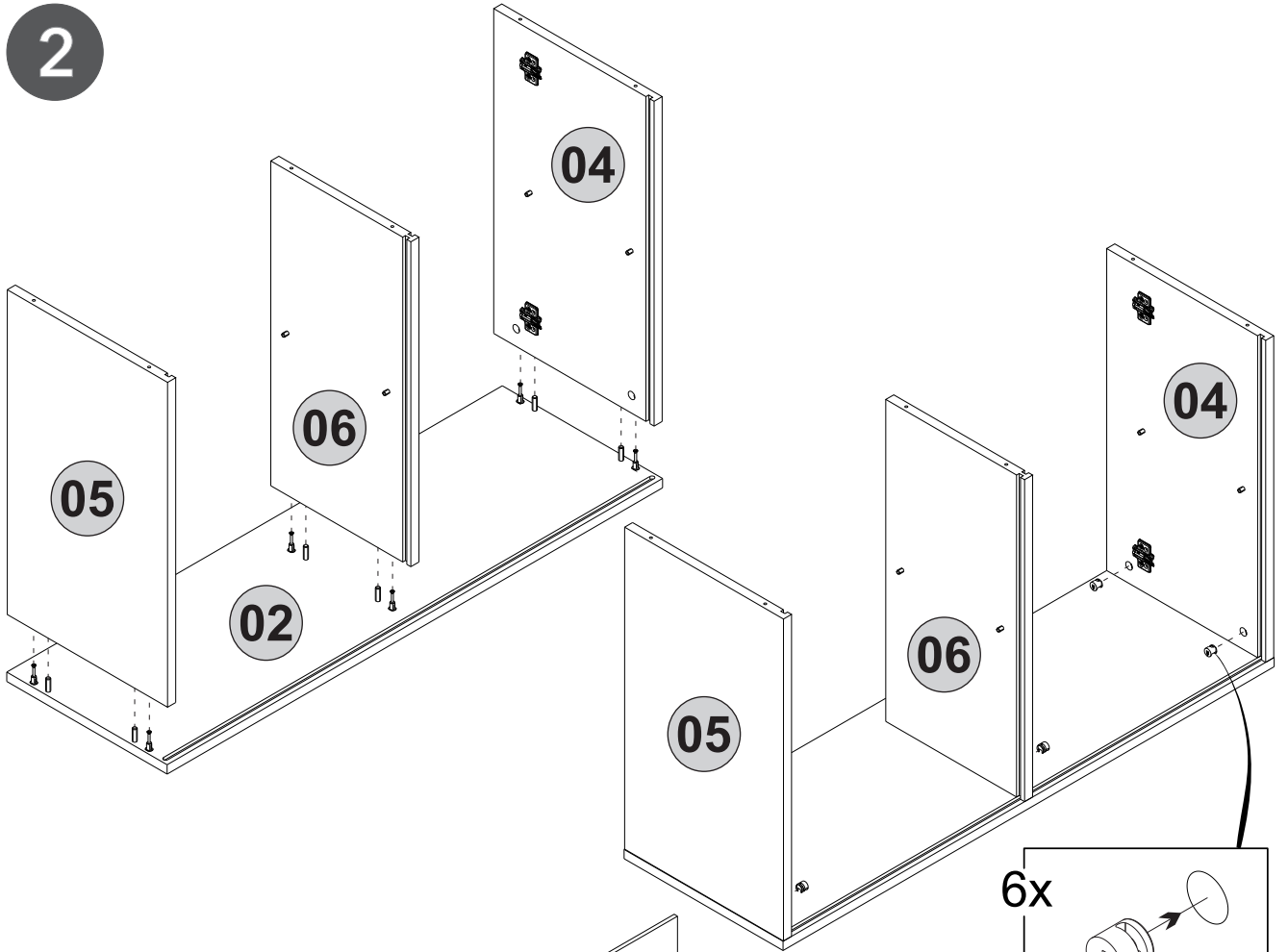


<b>A22</b> Minifix k18  6x	<b>A23</b> Minifix M10  6x	<b>A04</b> Ø8  6x	<b>A12</b> Allen  1x	<b>A13</b> 50mm  6x
<b>A25</b> ARK.PL  16x	<b>A18</b> 3,5x18  40x	<b>C16</b> Sdb(S)  2x	<b>C19</b> SdbF(S)  2x	<b>C20</b> Mtk(S)  4x
<b>Z71</b> LEG  4x	<b>B15</b> 15 (black)mm  16x	<b>A69</b> P.D.  16x	<b>A75</b> 5x13  6x	<b>A17</b> 4X50  6x
<b>A48</b> Raf Pimi  8x	<b>A06</b> 18mm  C1-12x C2-06x			

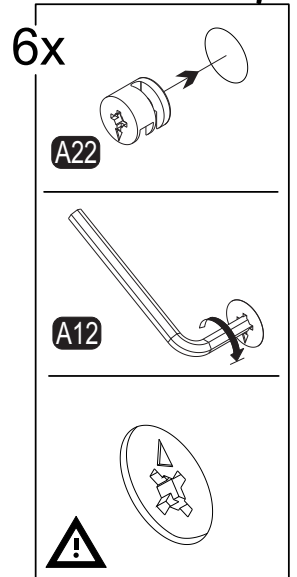
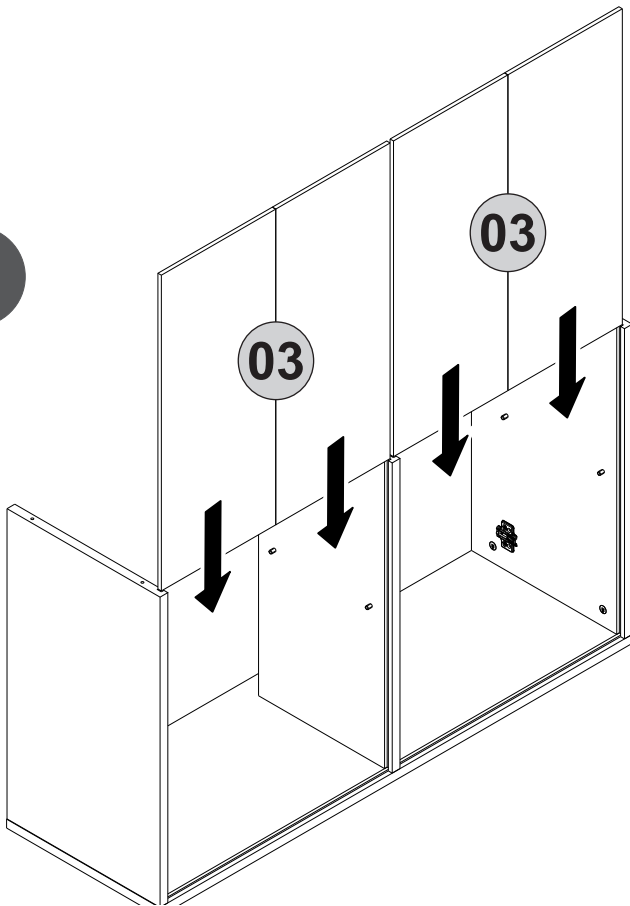




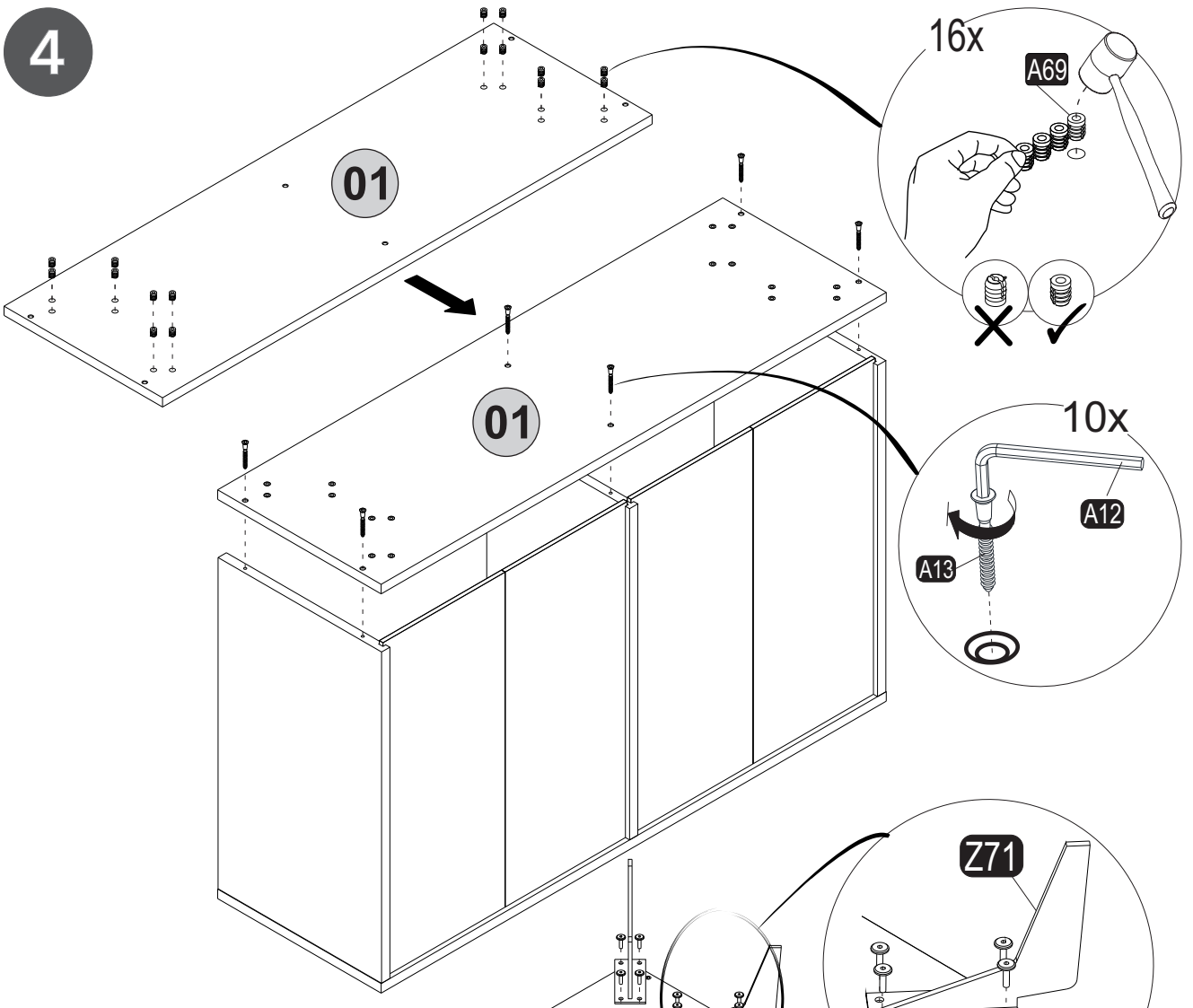
2



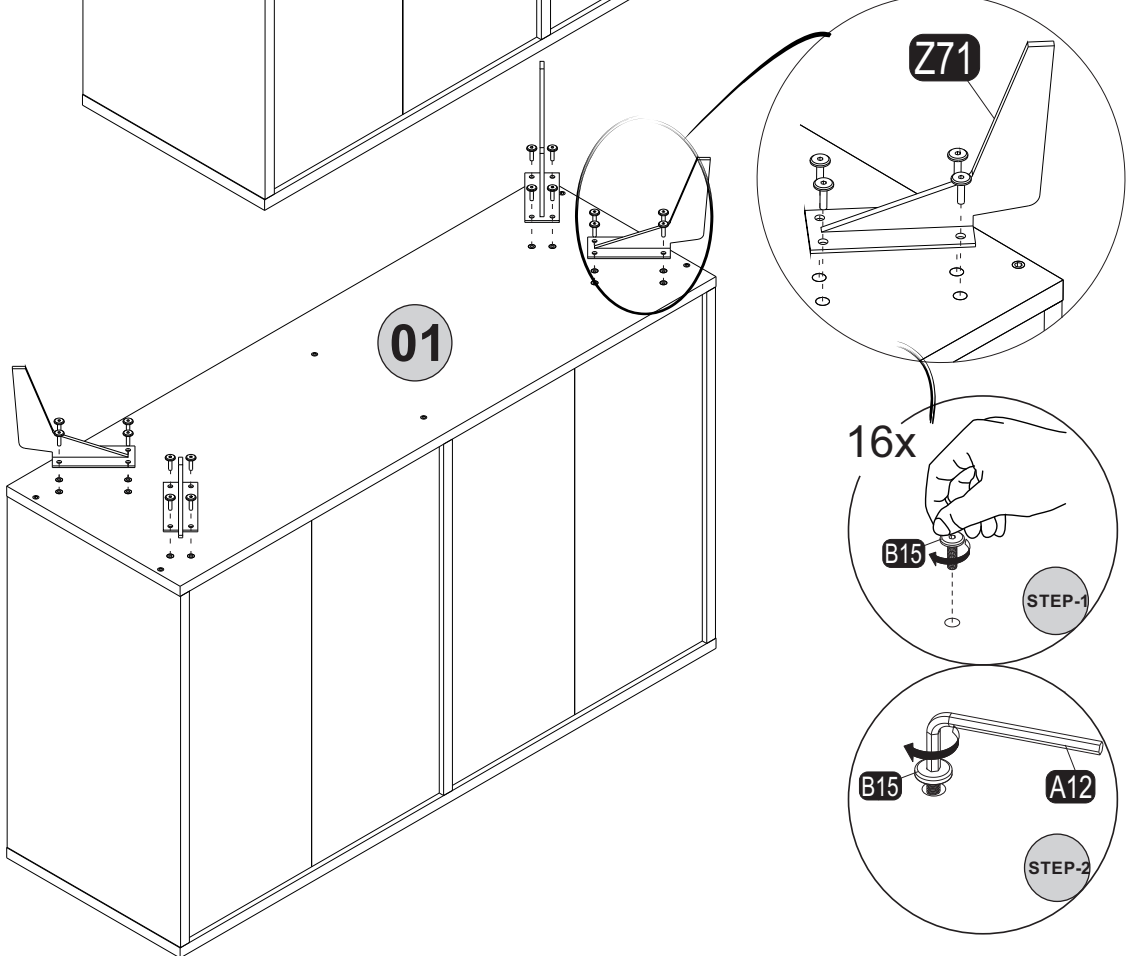
3

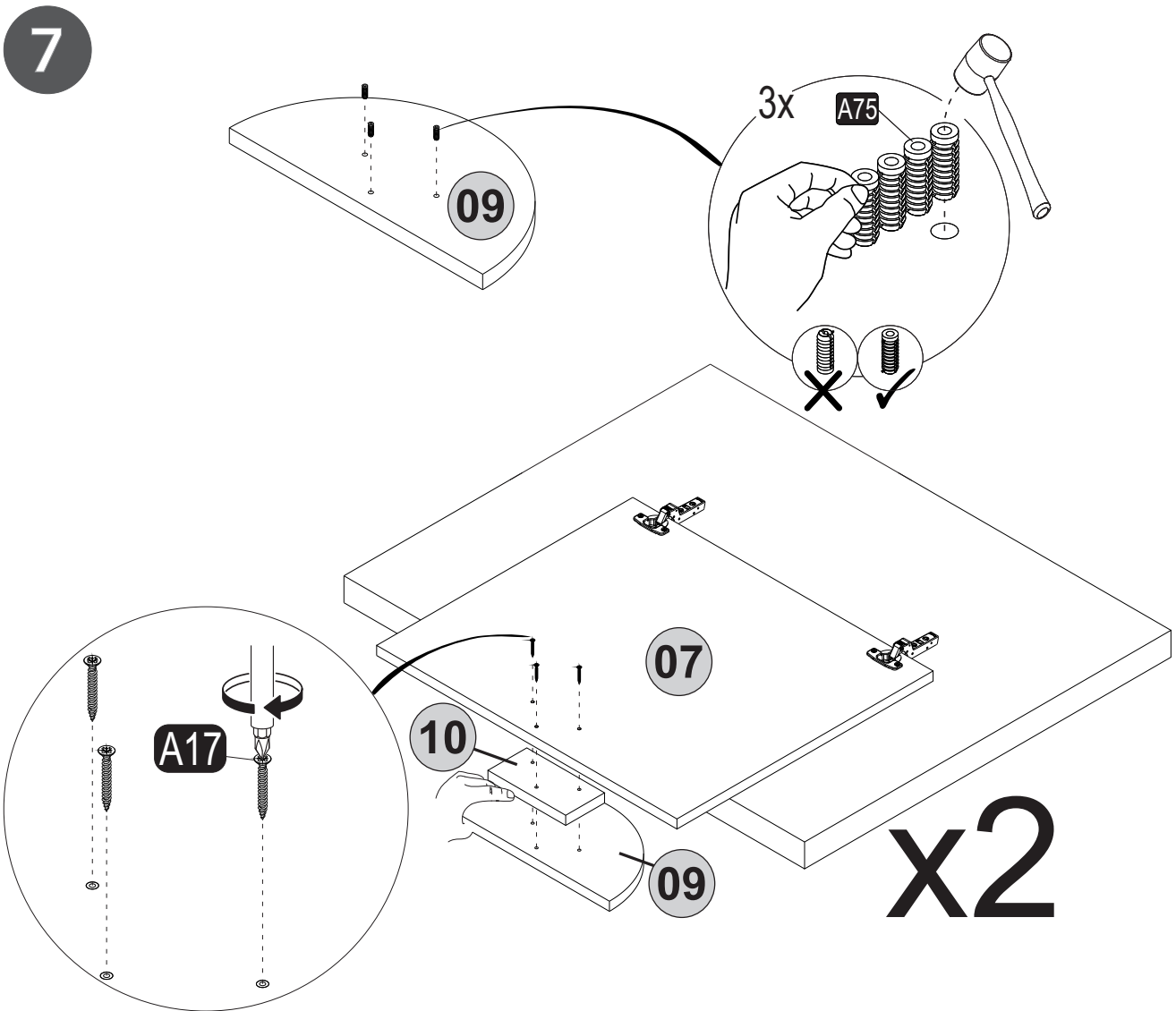
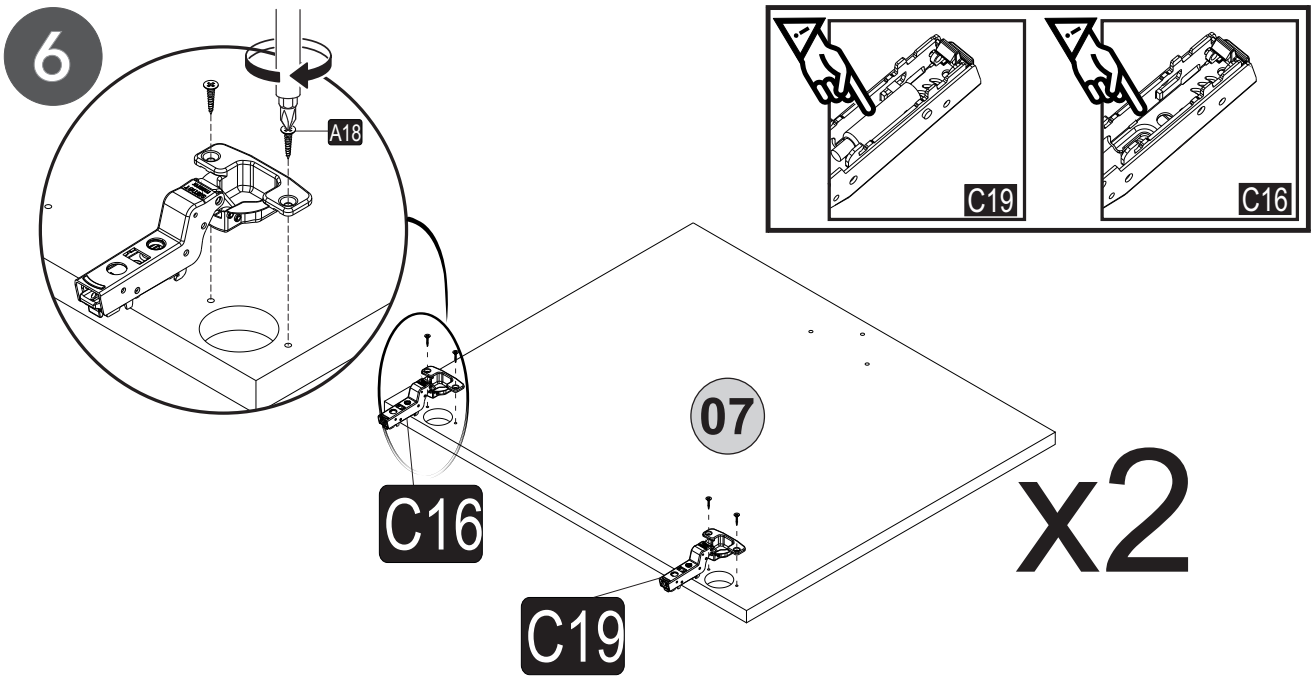


4

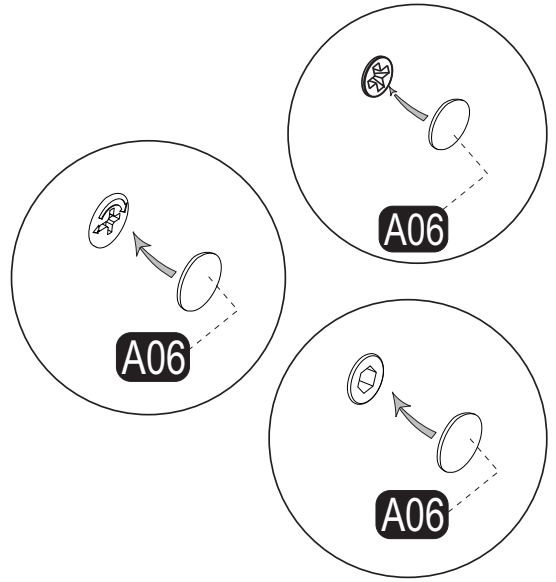
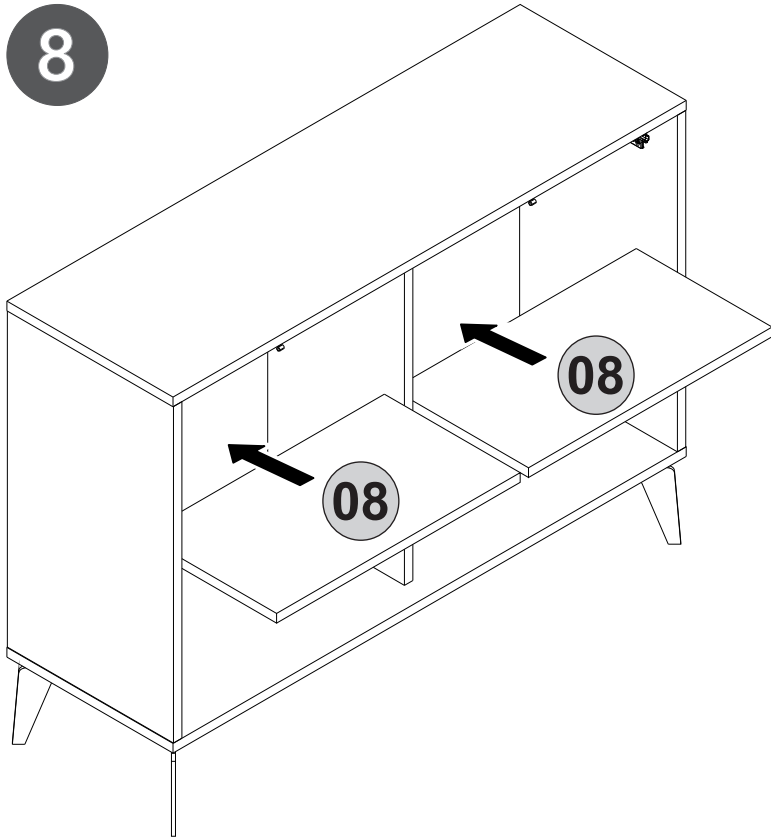


5

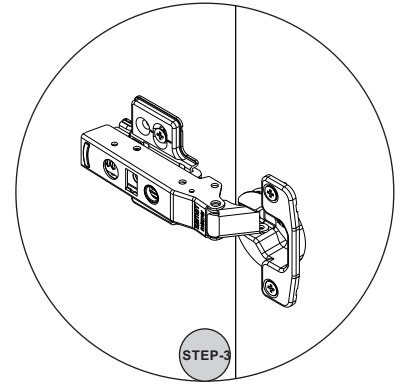
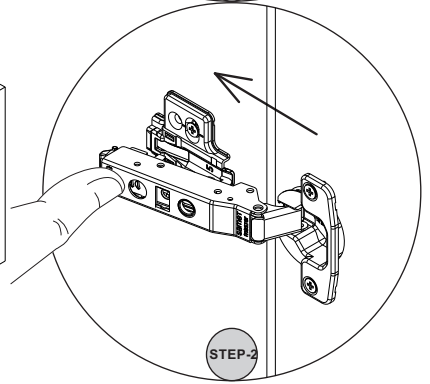
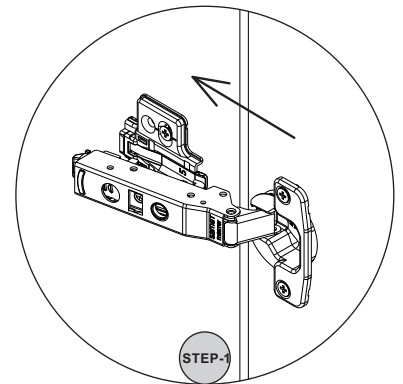
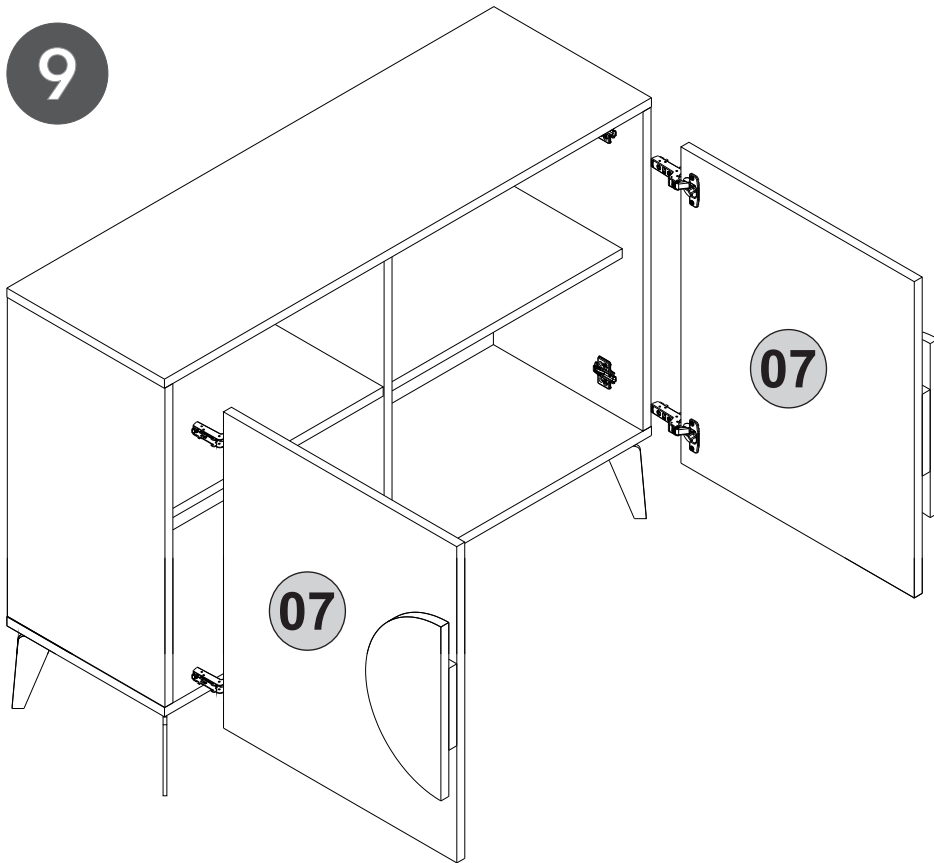




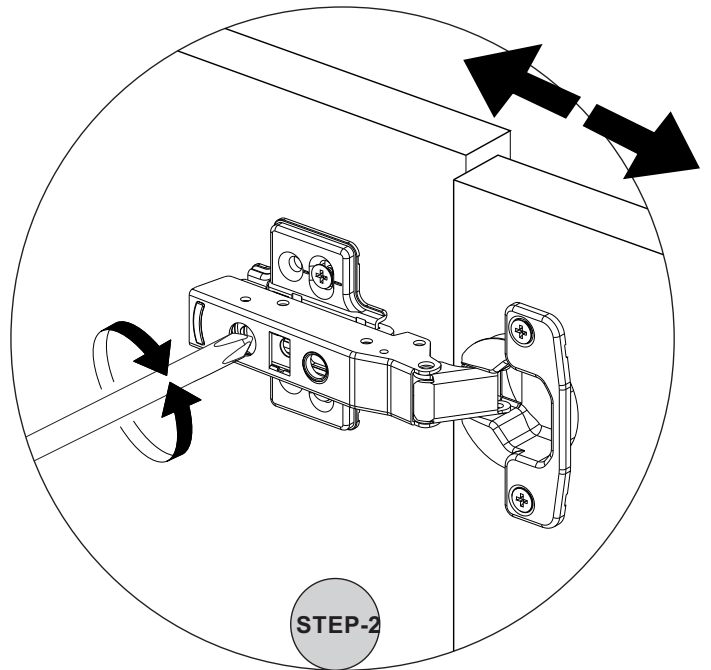
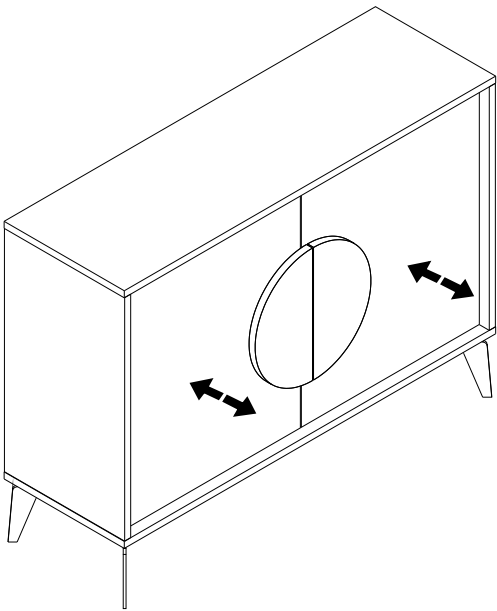
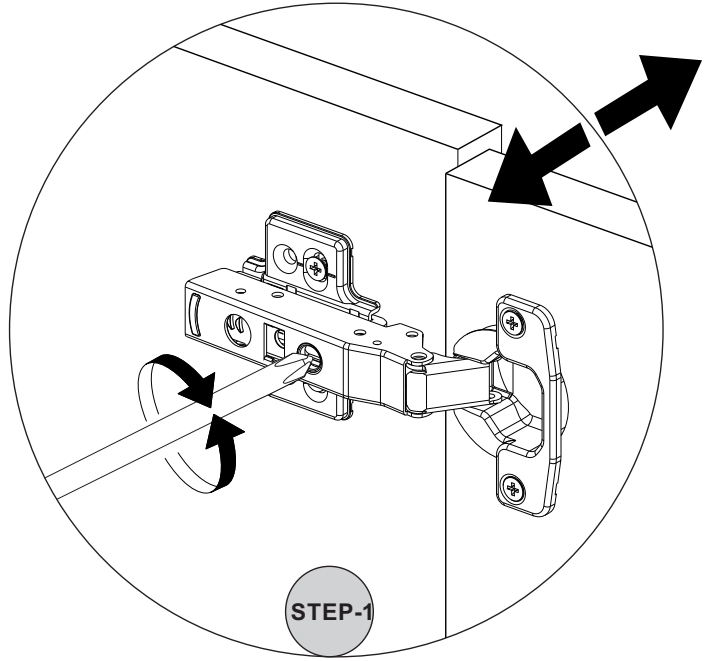
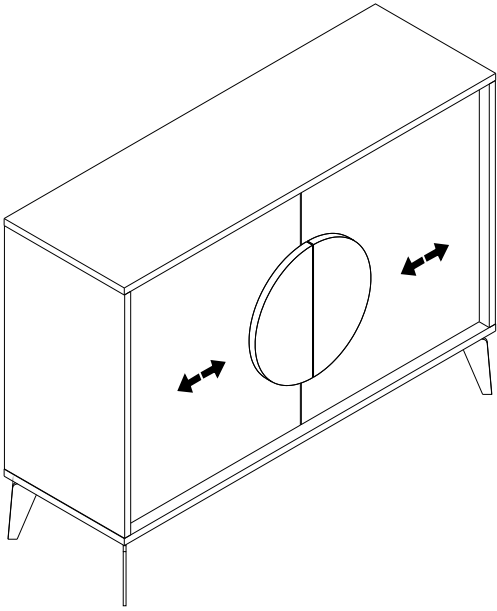
8



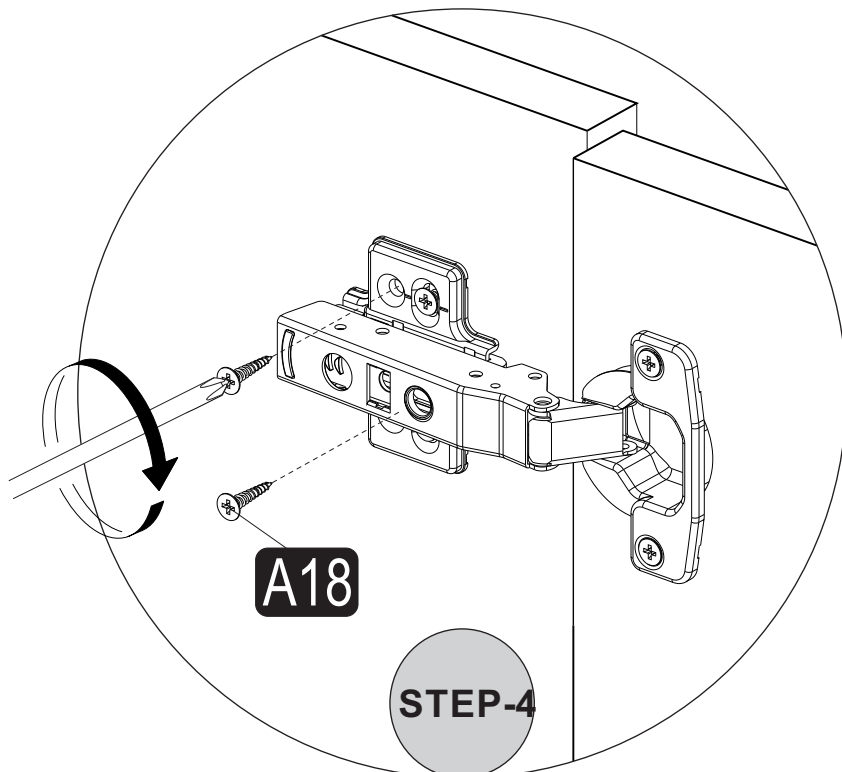
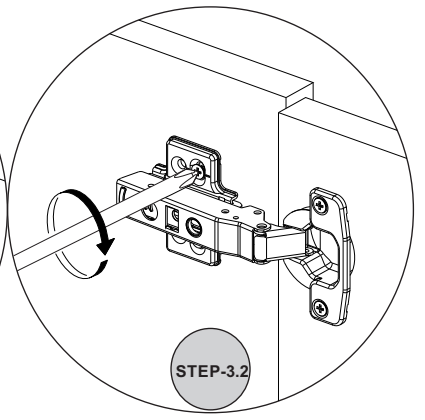
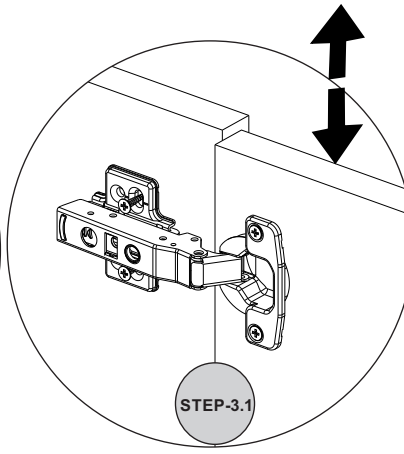
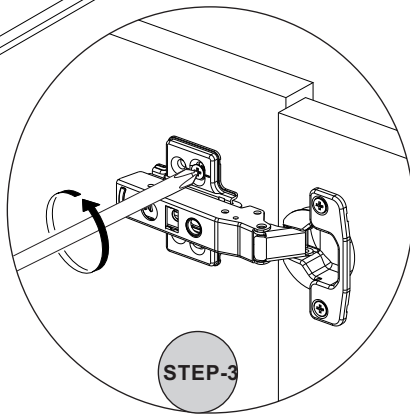
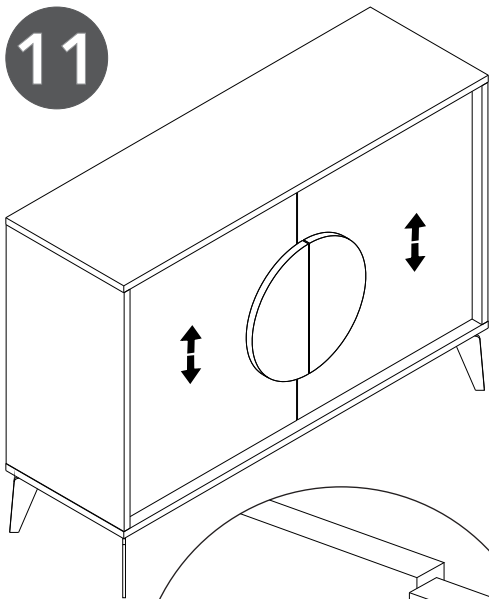
9



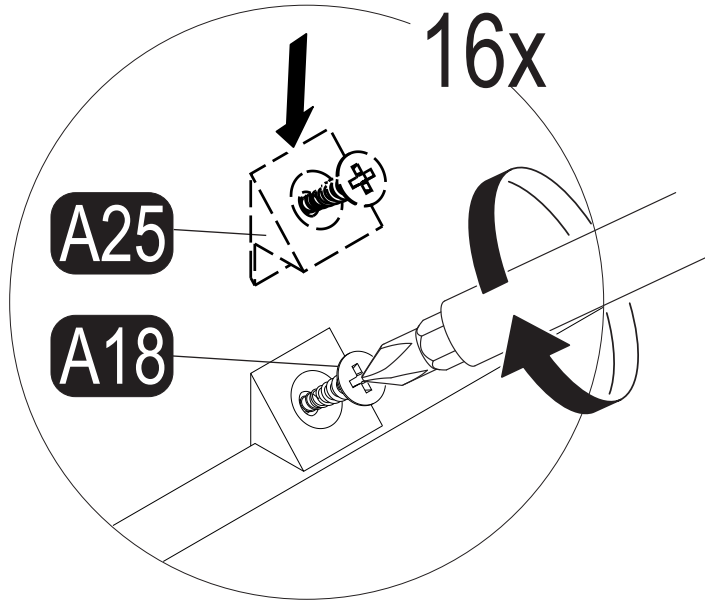
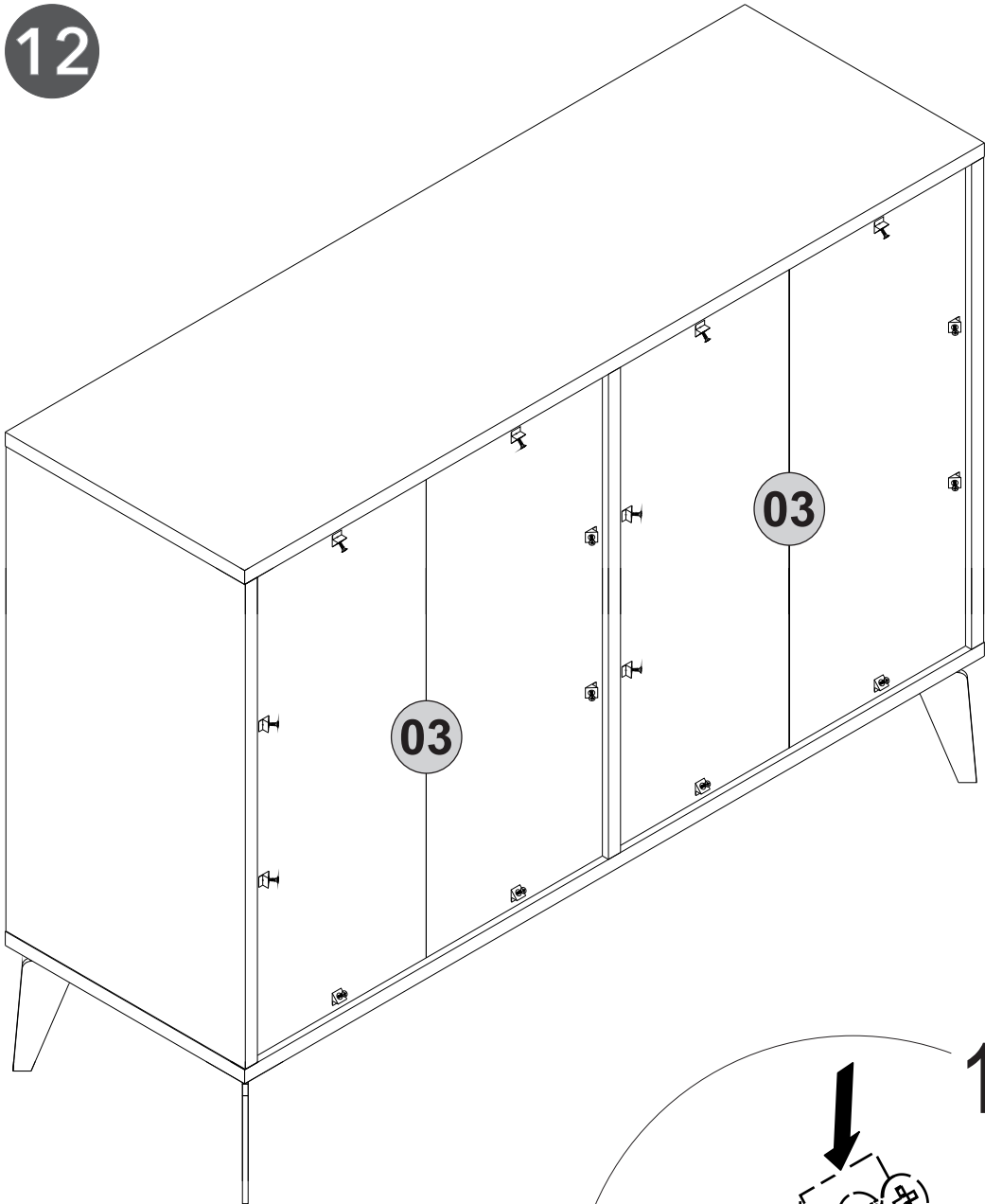
10





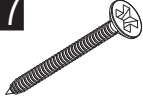


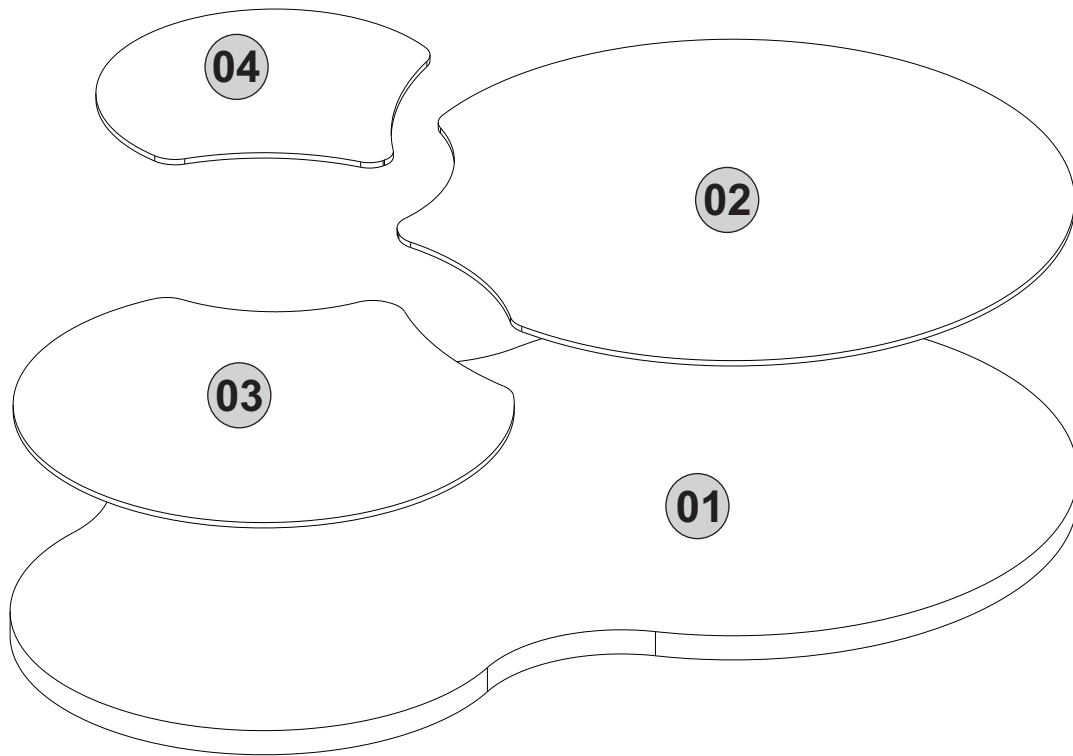
11

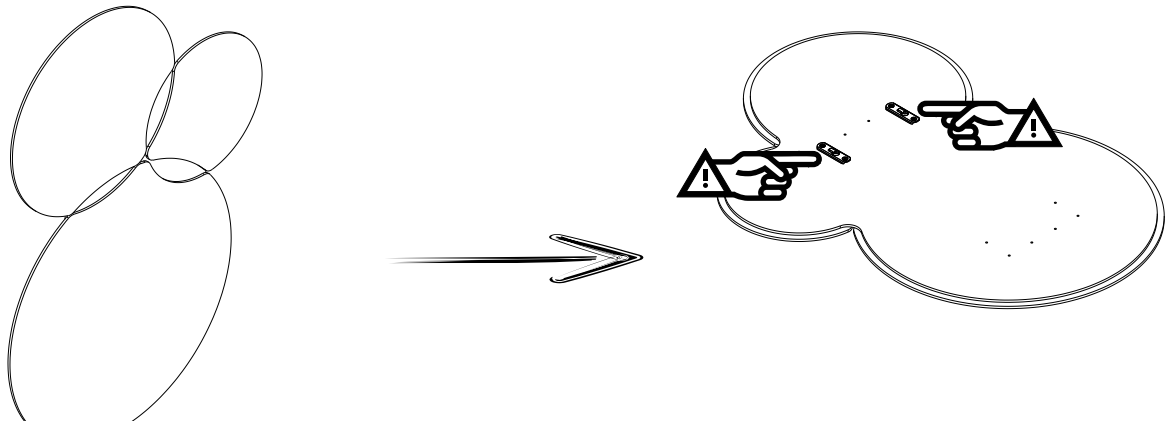
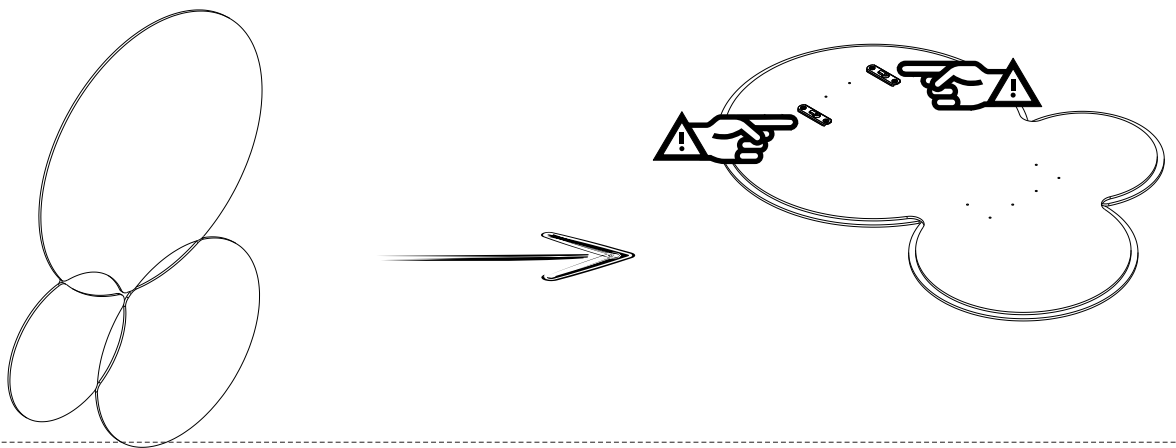
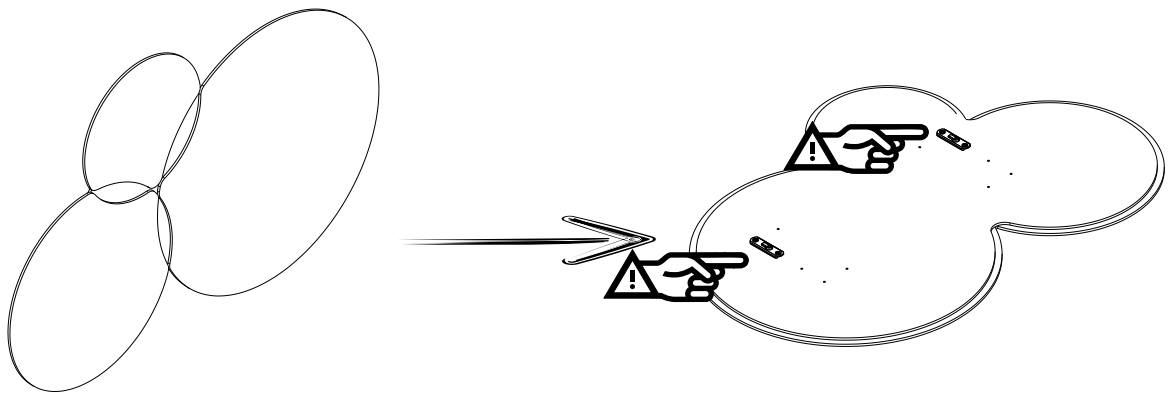
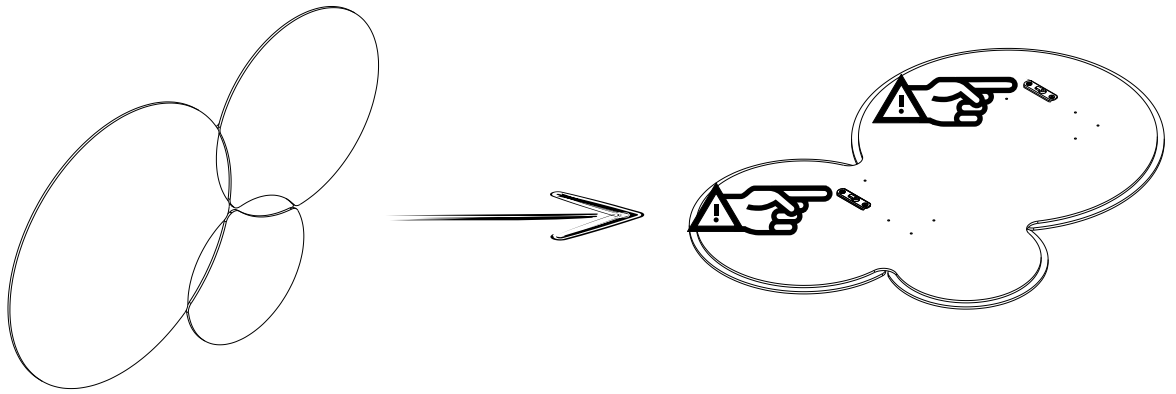


12

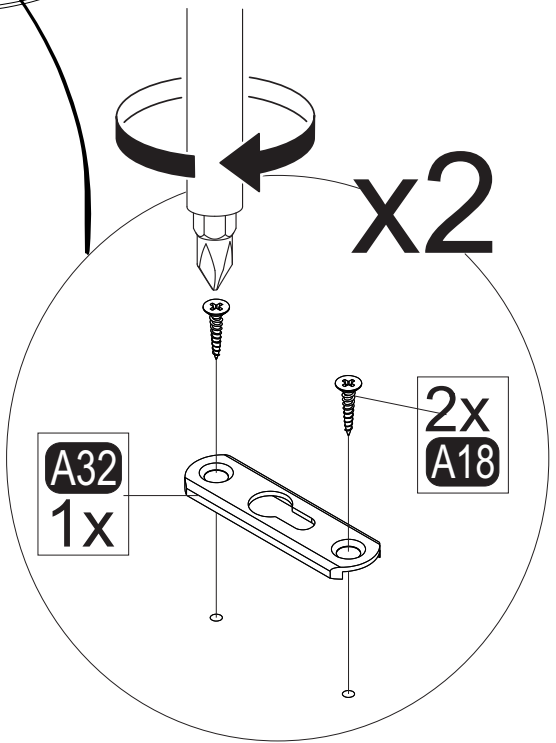
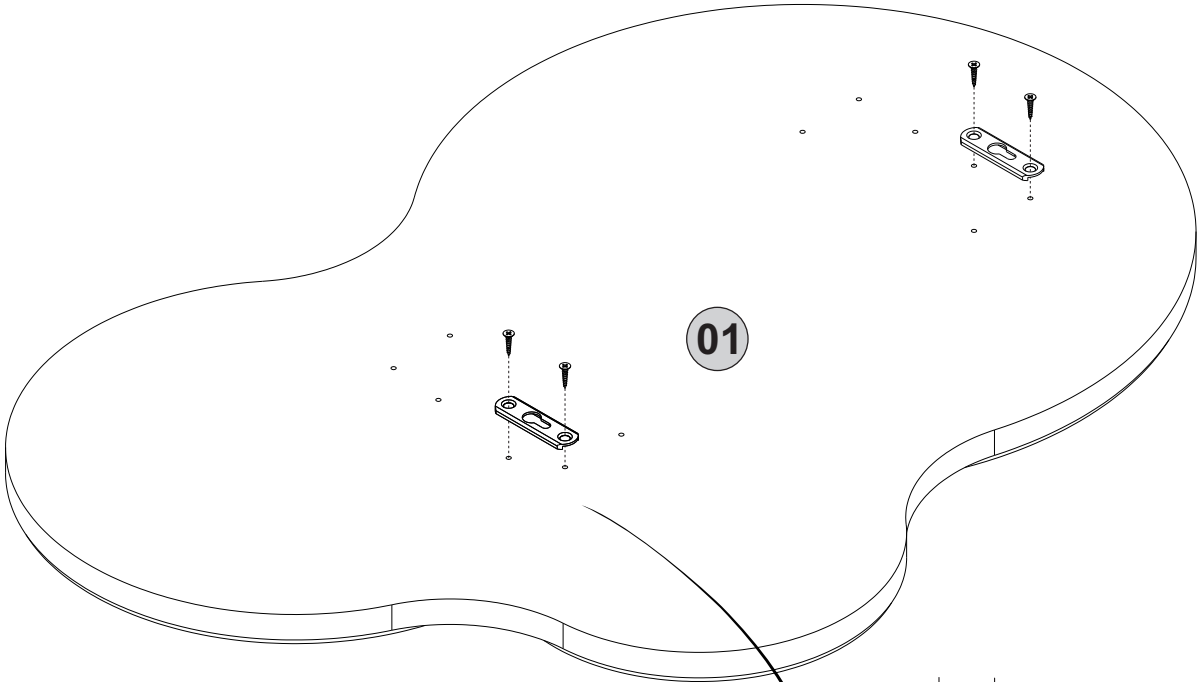


<b>A32</b>  60/16 <b>2x</b>	<b>A18</b>  3,5x18 <b>4x</b>	<b>Z18</b>  Gbdy <b>2x</b>	<b>A16</b>  DbØ8 <b>2x</b>	<b>A17</b>  4X50 <b>2x</b>
---	--	--	---	--

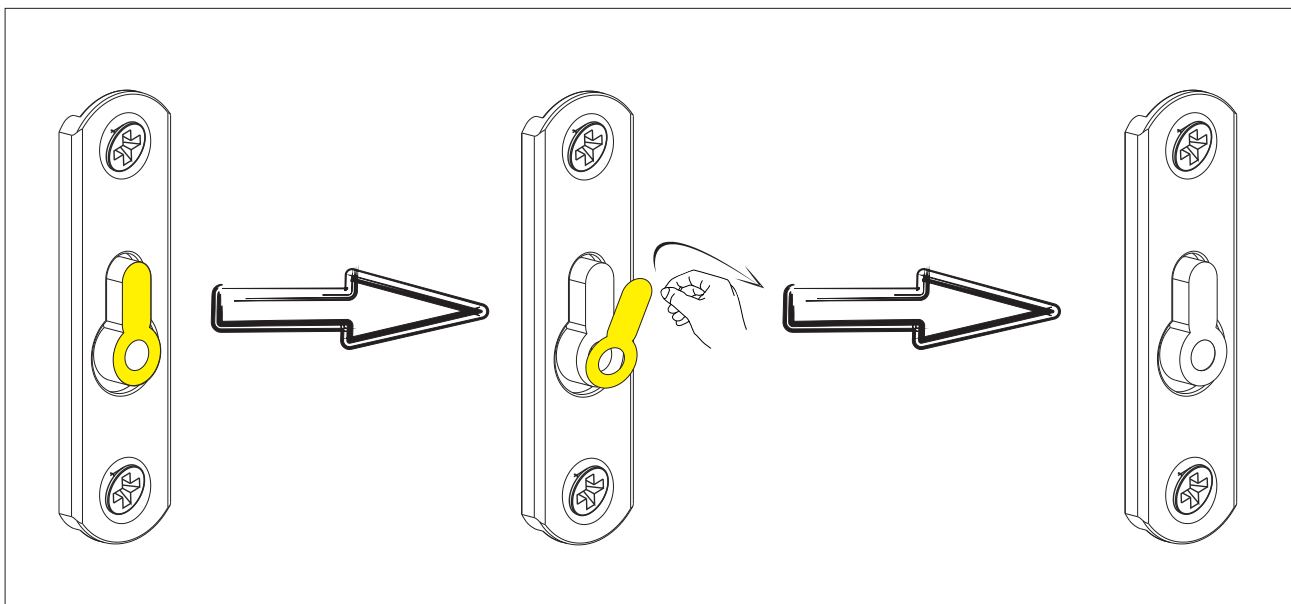
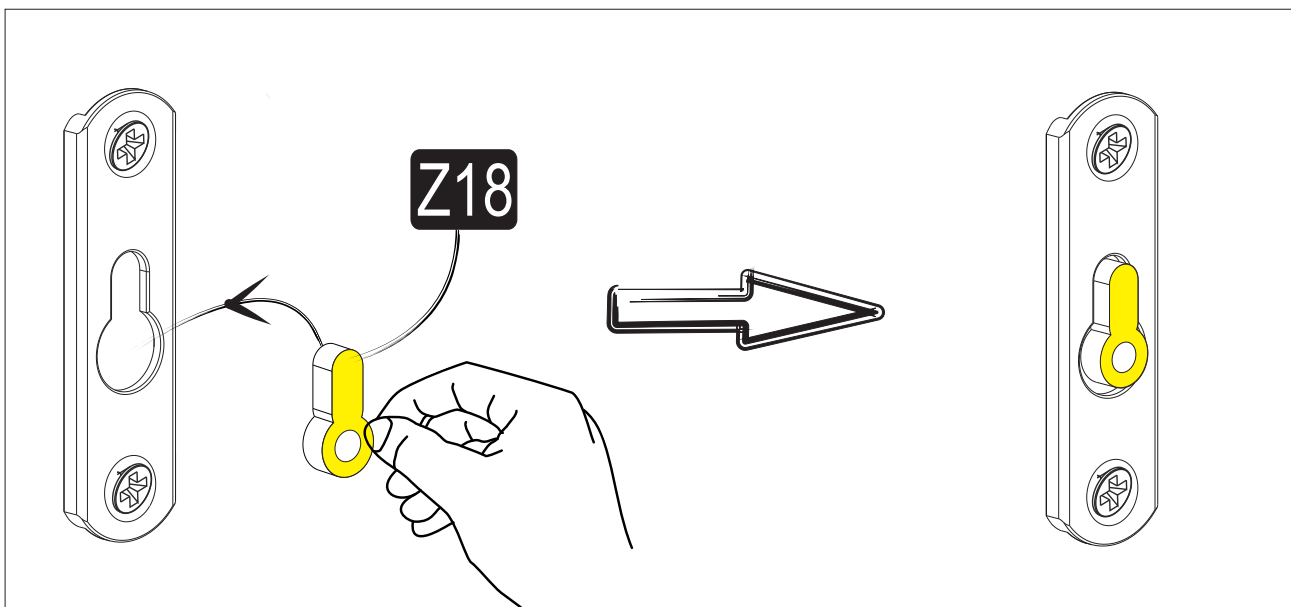




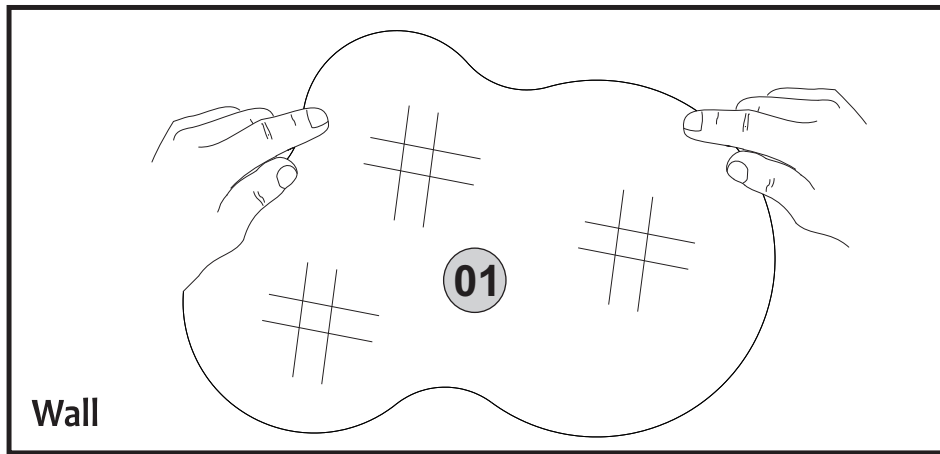
1



2  
x2

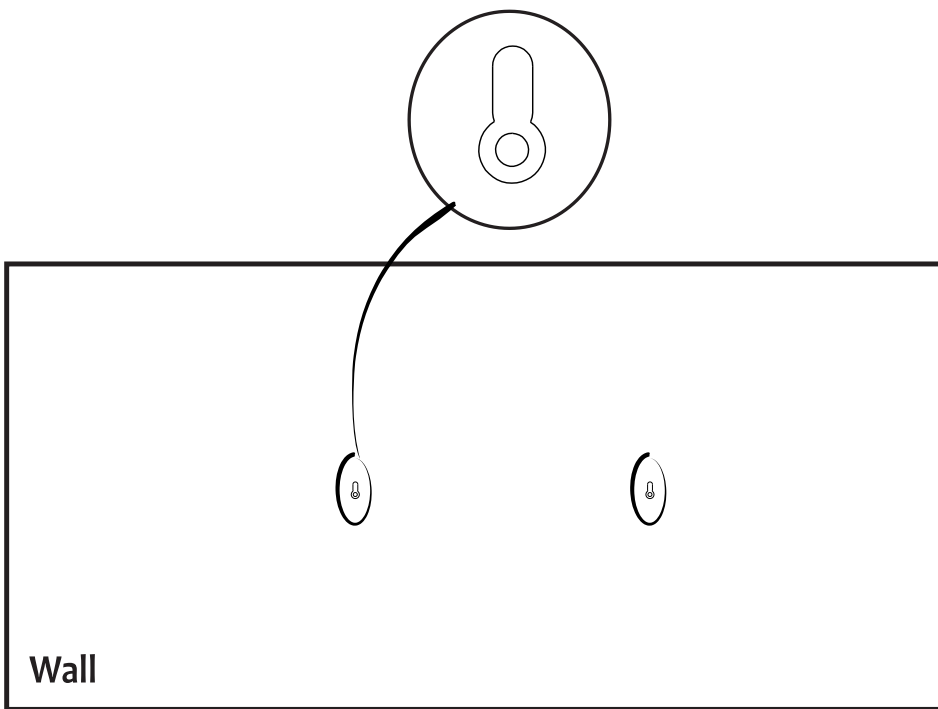


3

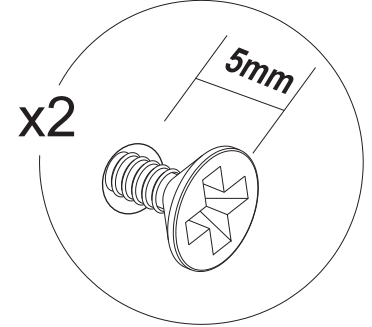
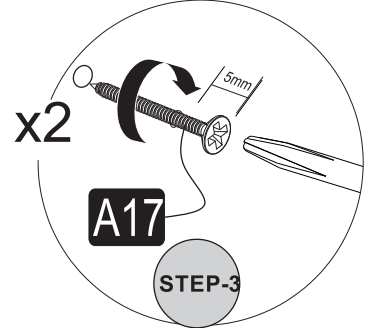
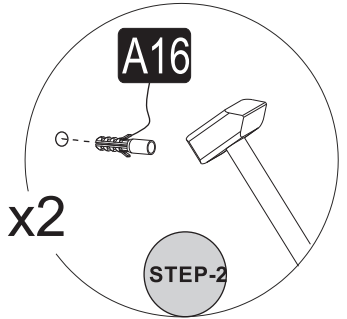
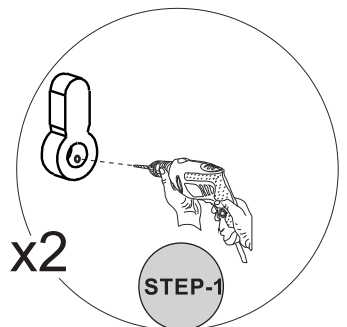


Wall

4



Wall



5

