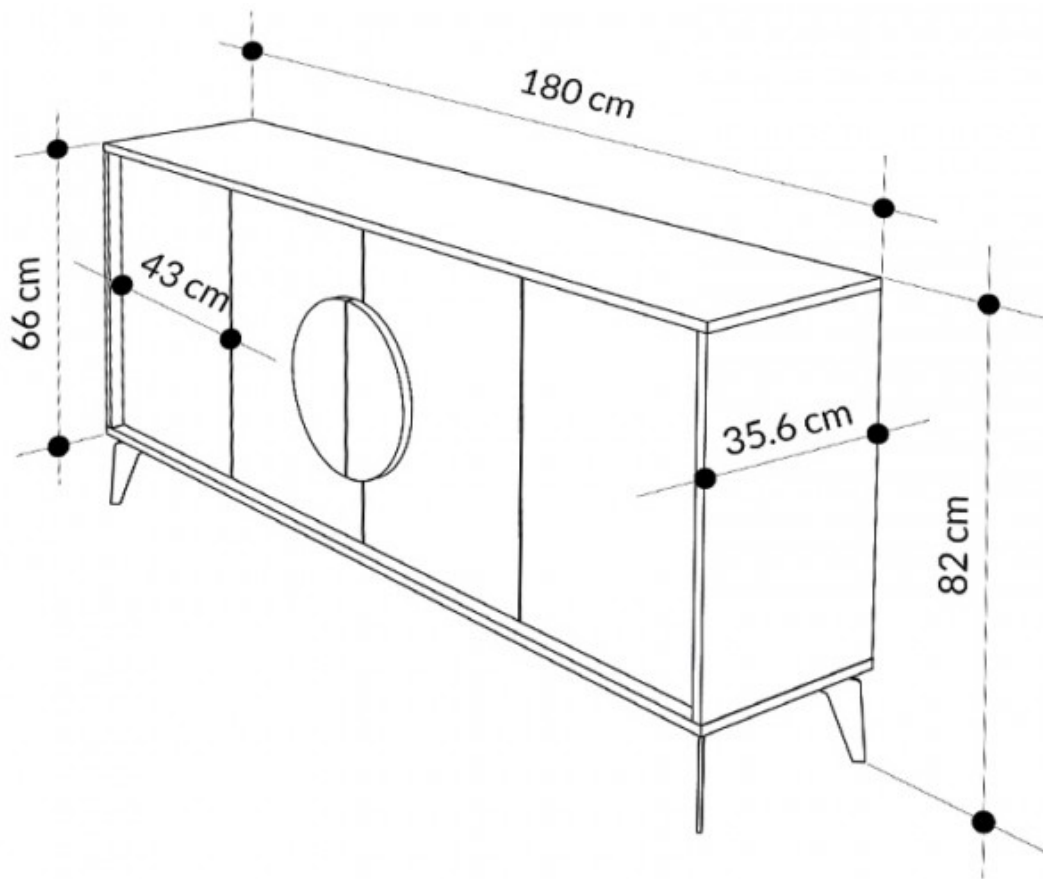





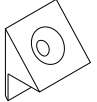





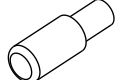
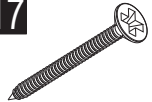
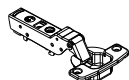

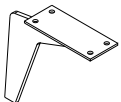



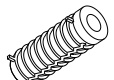
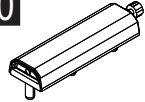
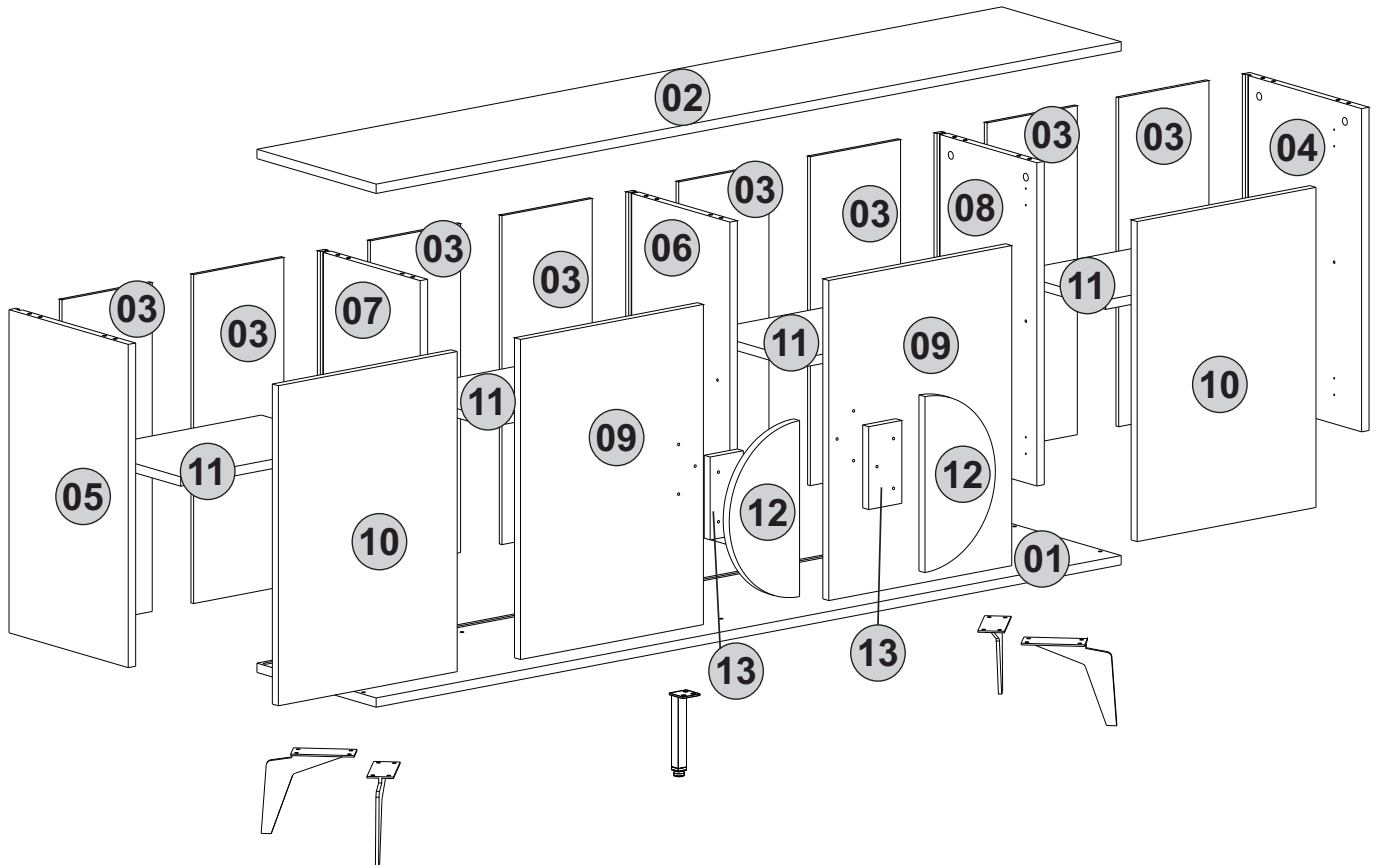
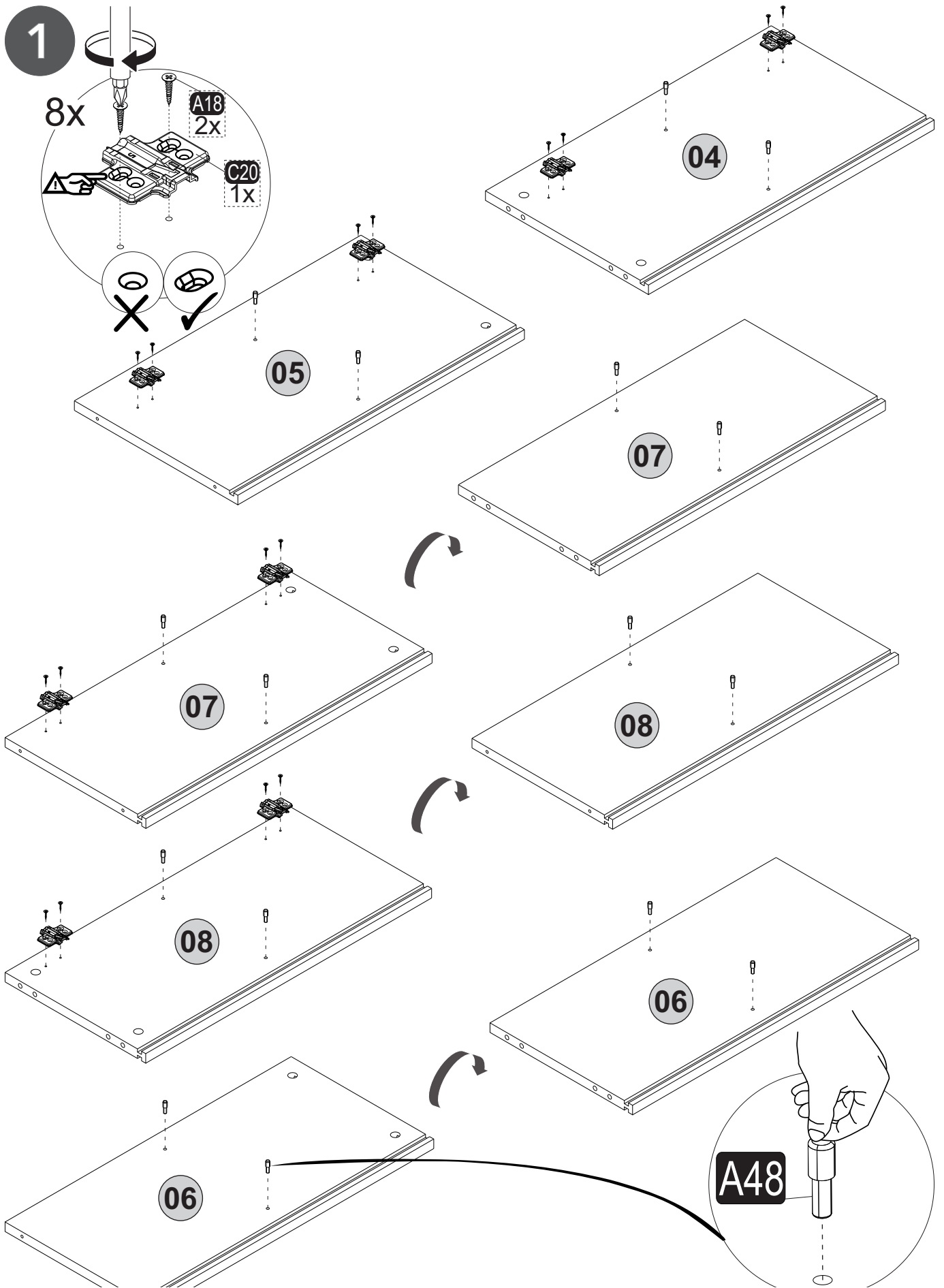


i GP037-0083,3

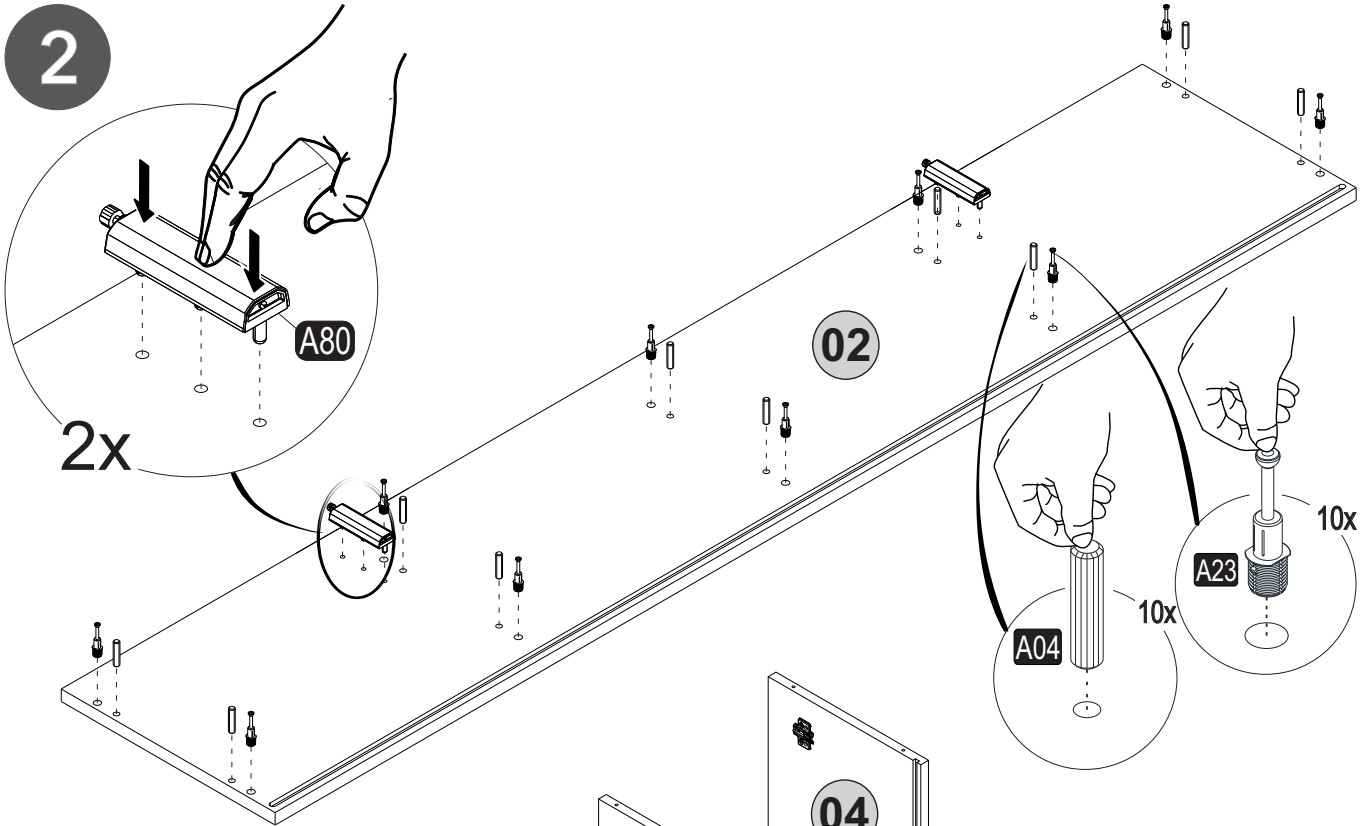


A22 Minifix k18  10x	A23 Minifix M10  10x	A04 Ø8  10x	A12 Allen  1x	A13 50mm  10x
A25 ARK.PL  32x	A18 3,5x18  80x	C16 Sdb(S)  2x	C19 SdbF(S)  2x	C20 Mtk(S)  8x
A06 18mm  C1-20x C2-06x	A48 Raf Pimi  16x	A17 4X50  6x	C15 Ydb(S)  2x	C18 YdbF(S)  2x
Z71 LEG  4x	Z102 A.M.A 160mm  1x	B15 15 (black)mm  19x	A69 P.D.  19x	A75 5x13  6x
A80 bas ac  2x				

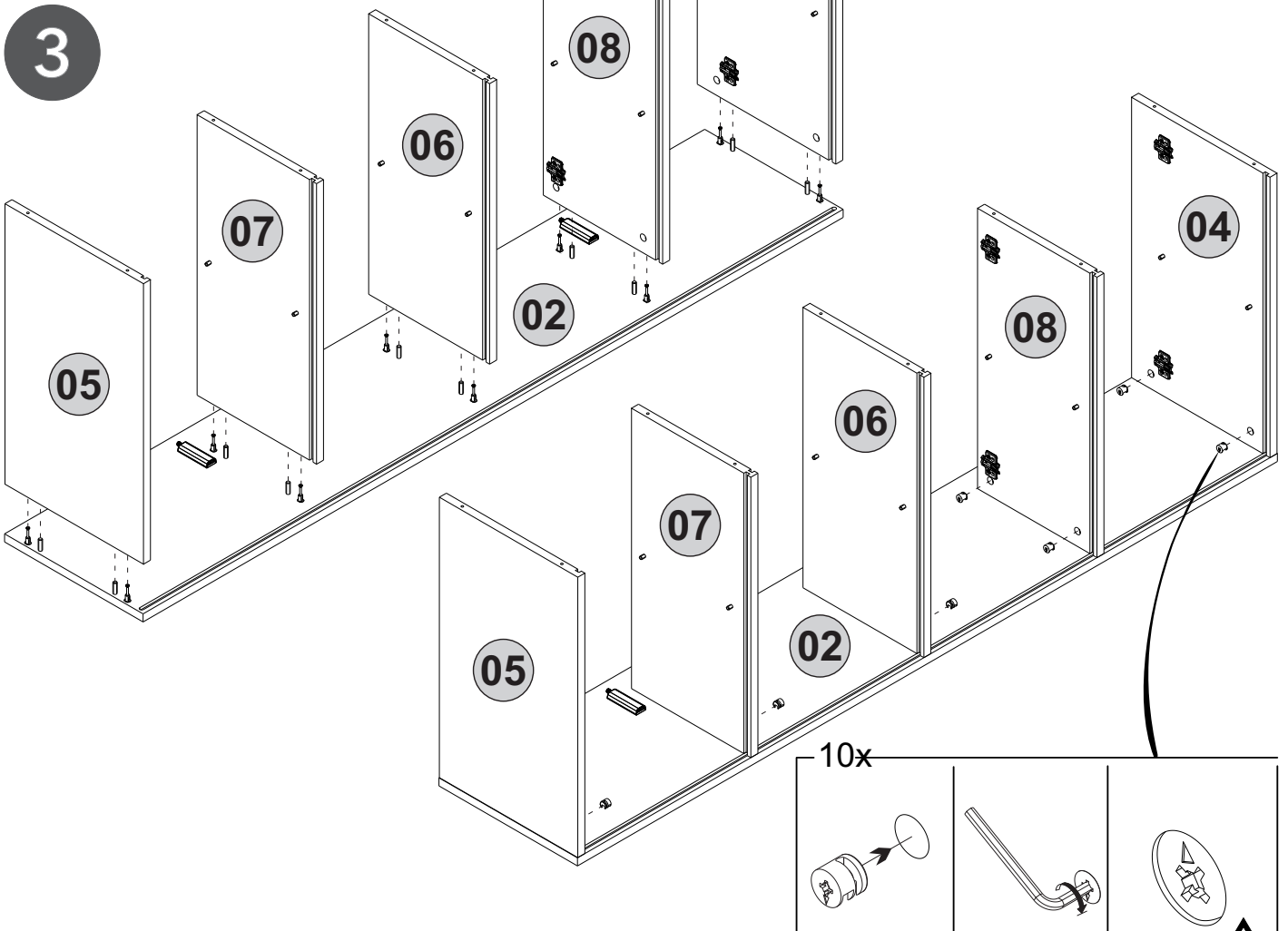




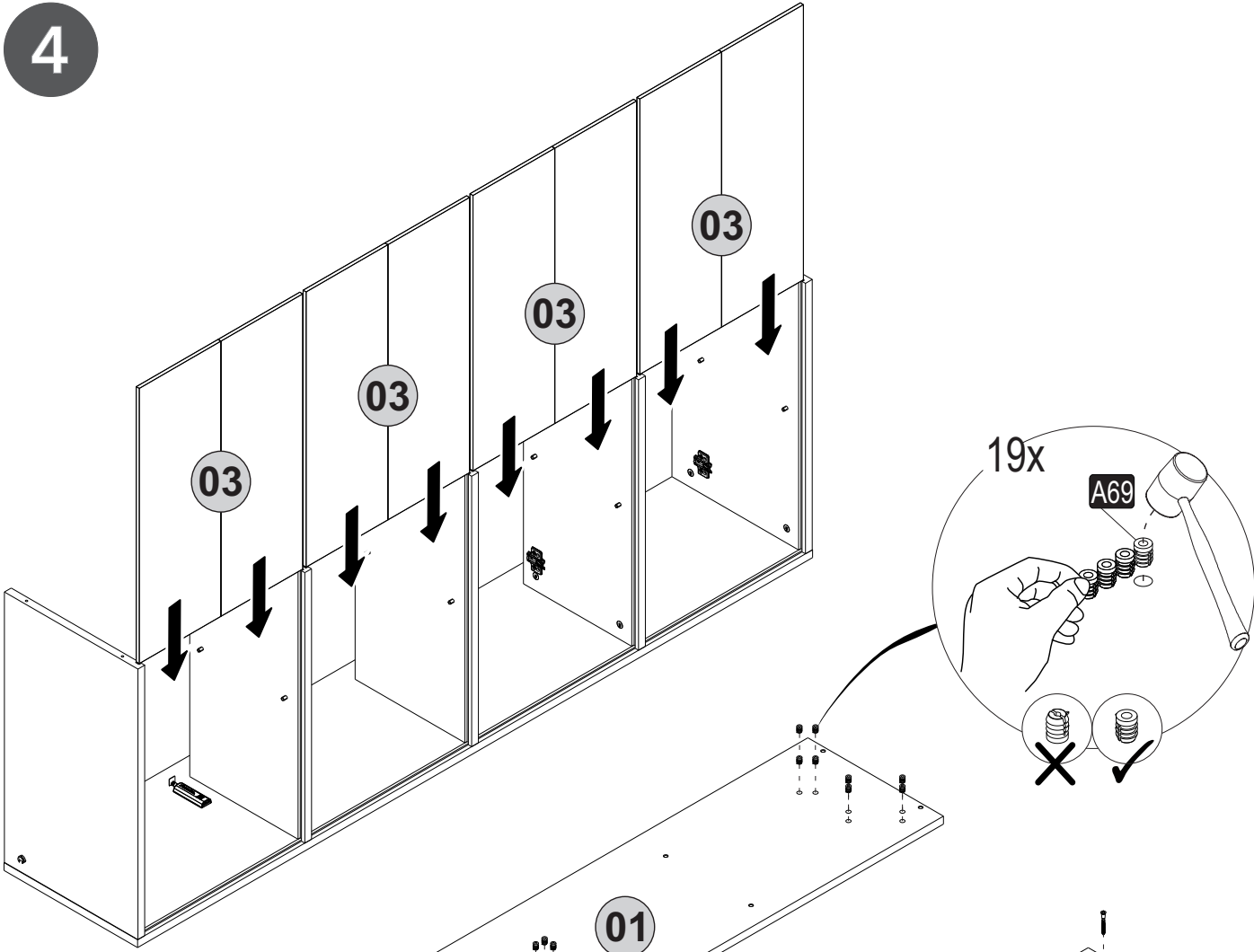
2



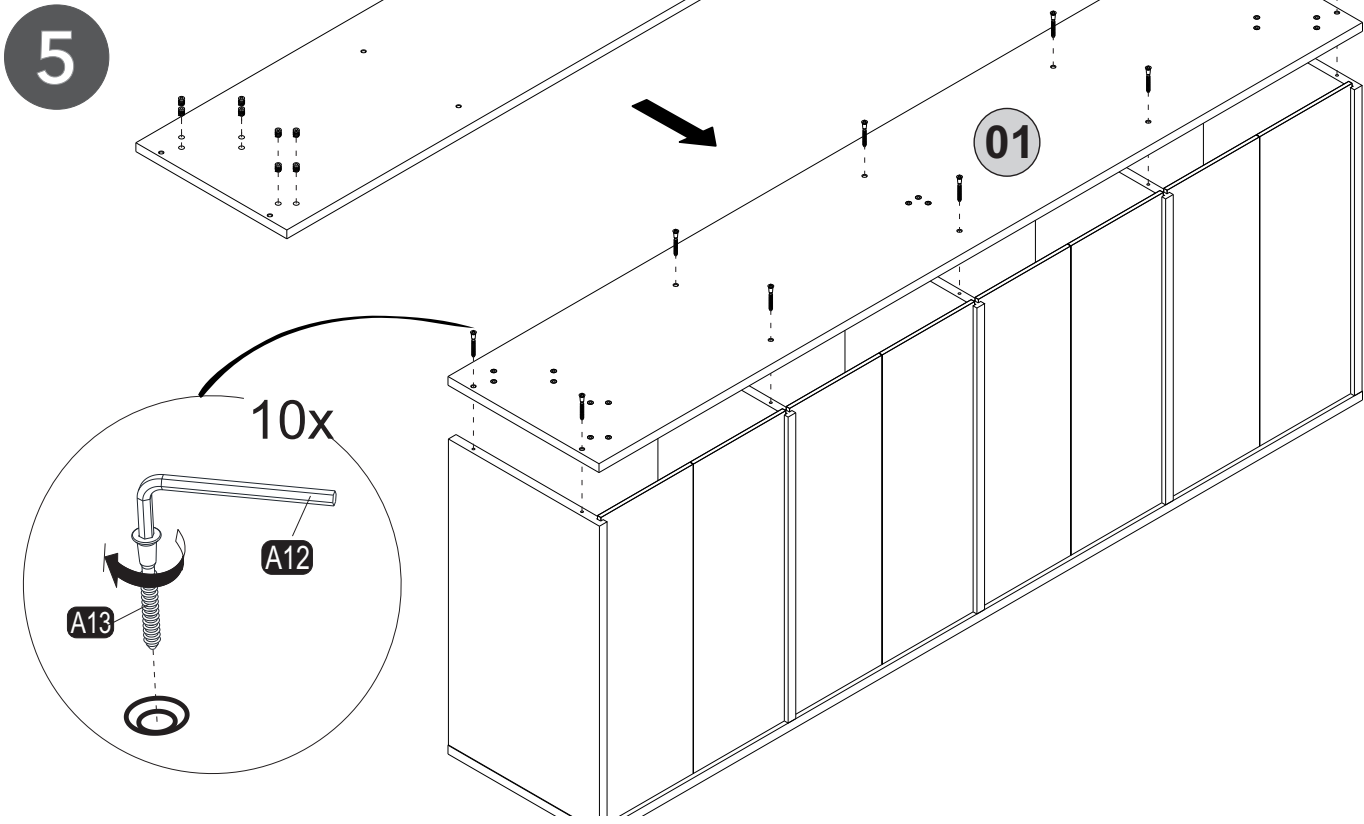
3



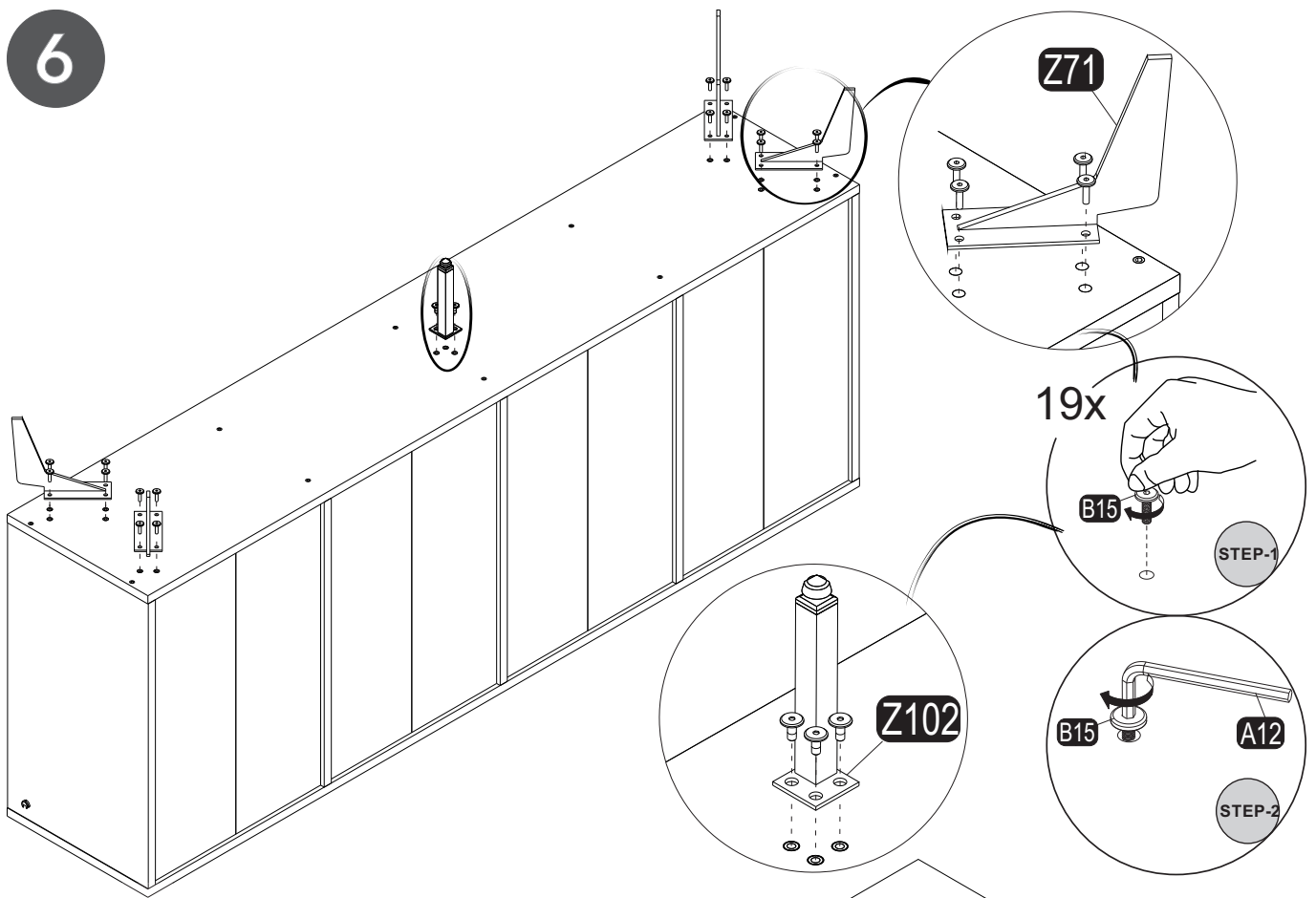
4



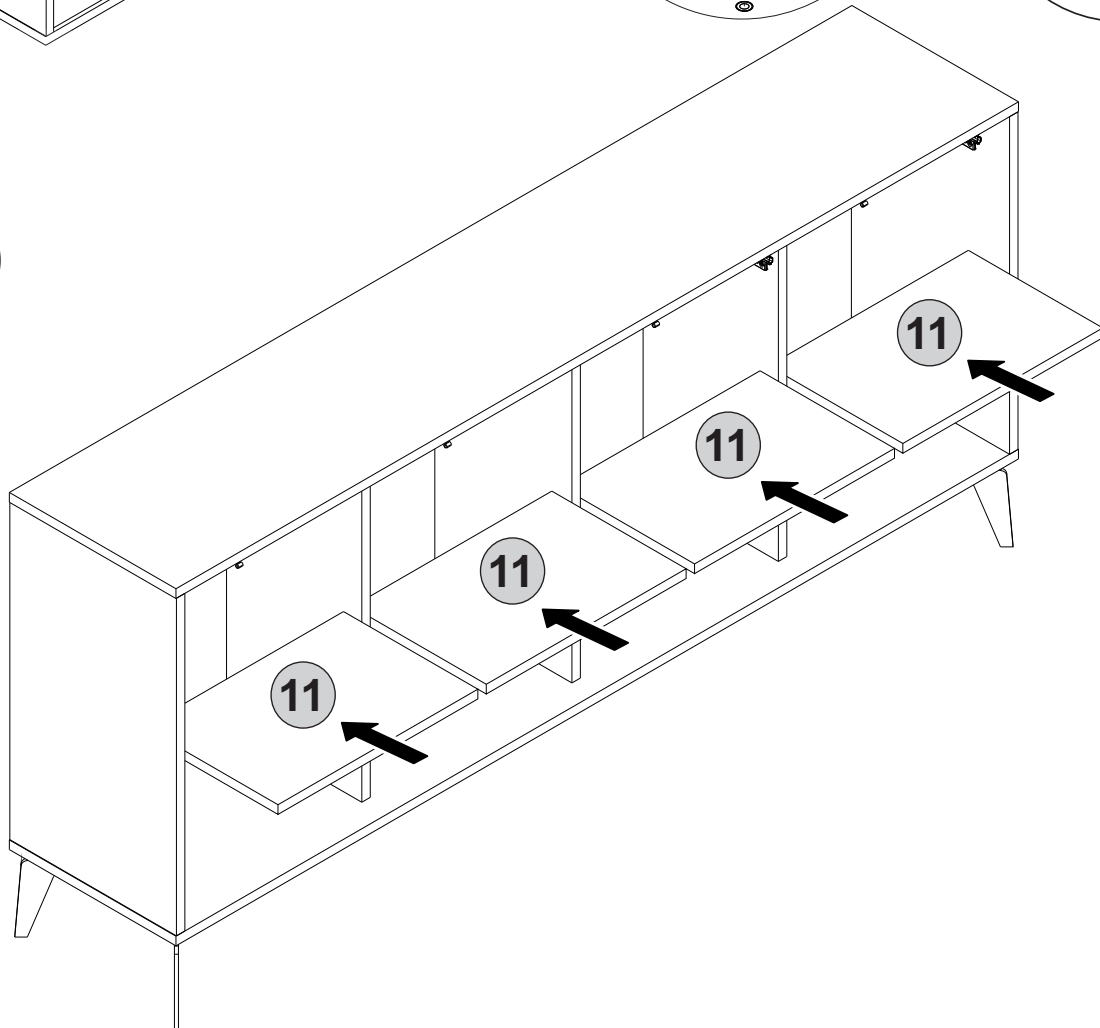
5

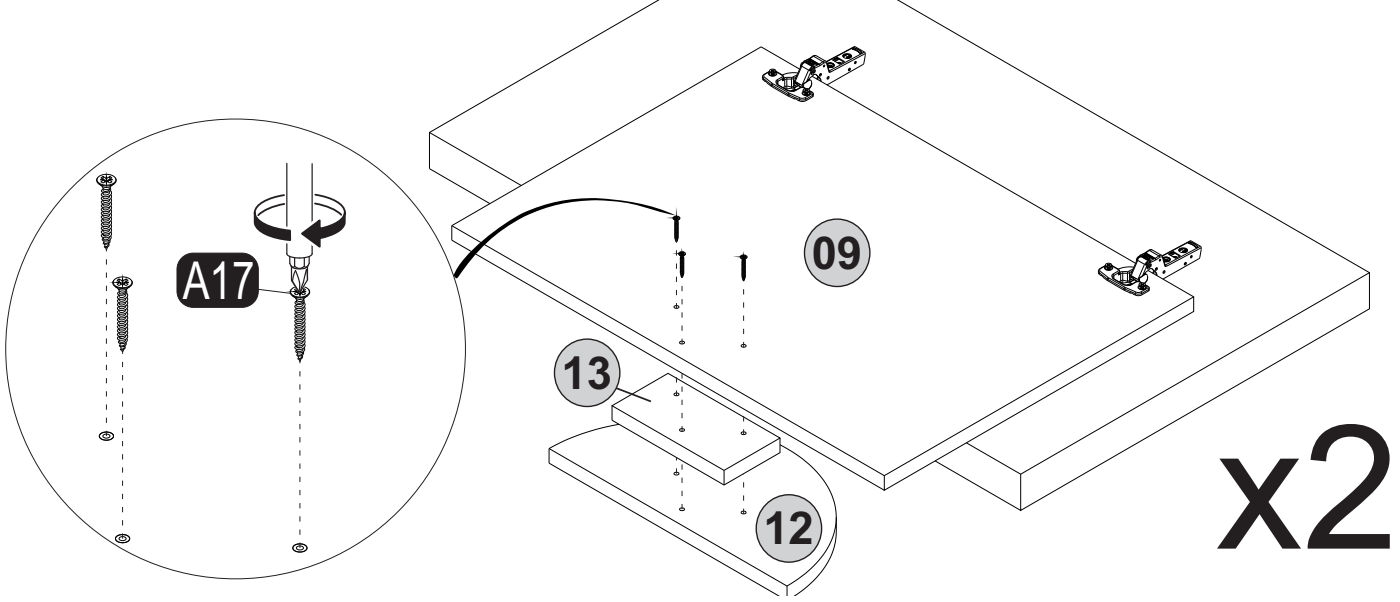
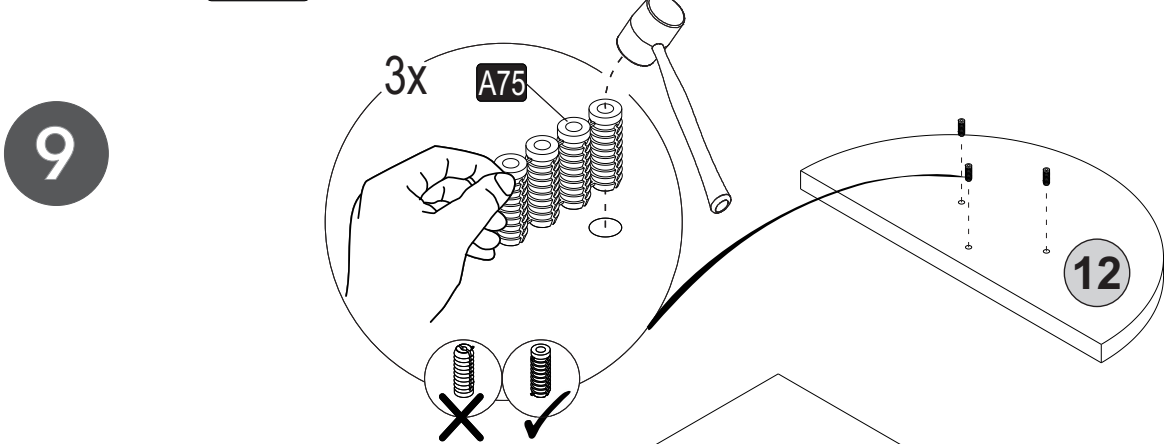
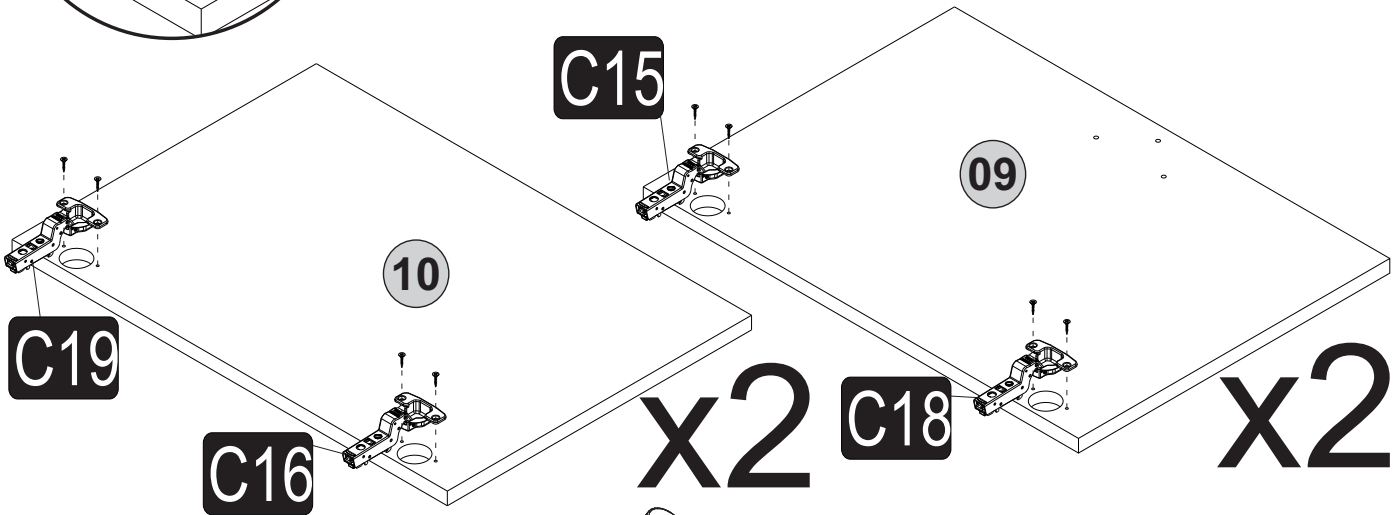
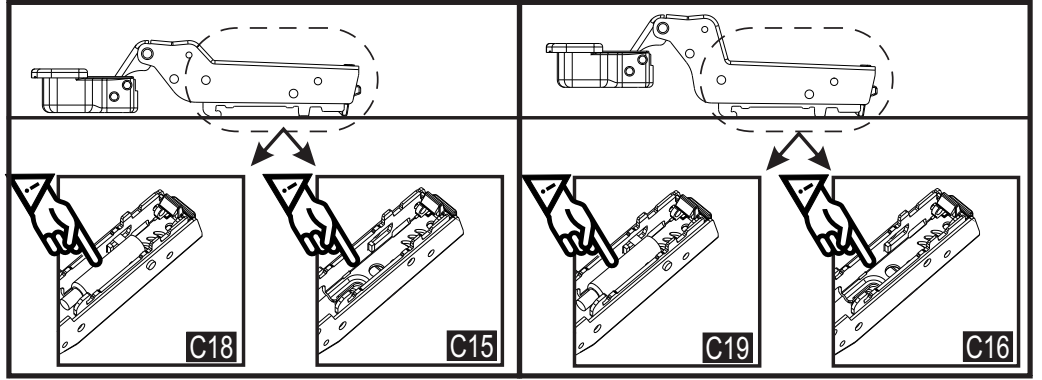
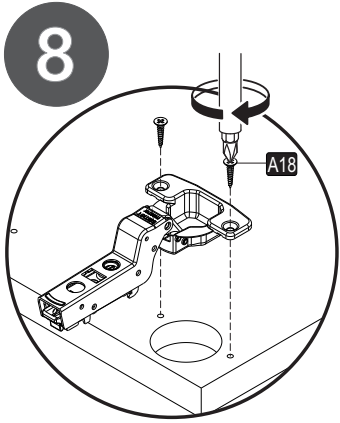


6

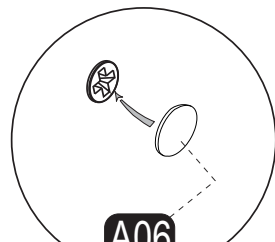
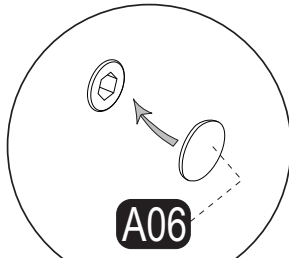
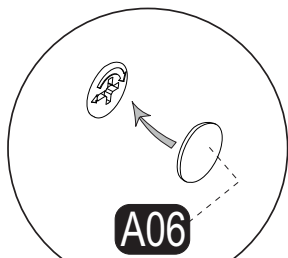
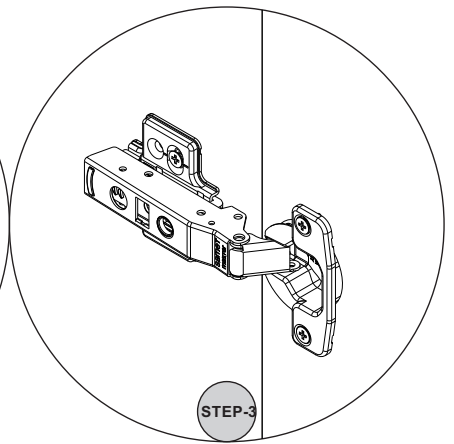
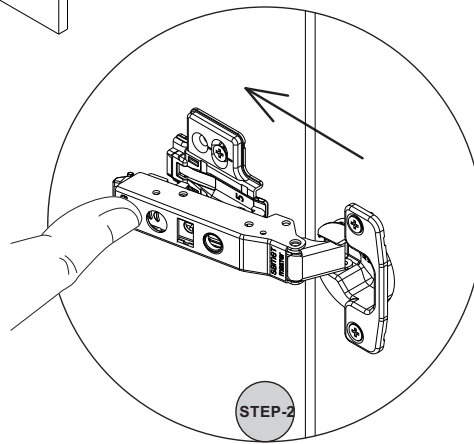
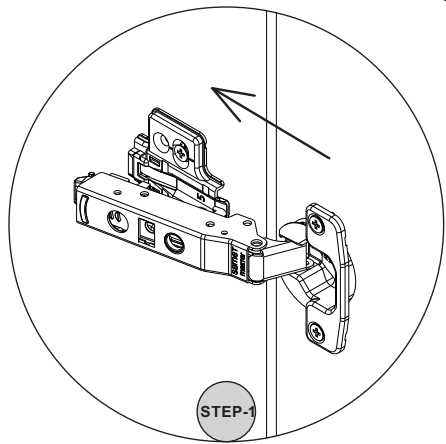
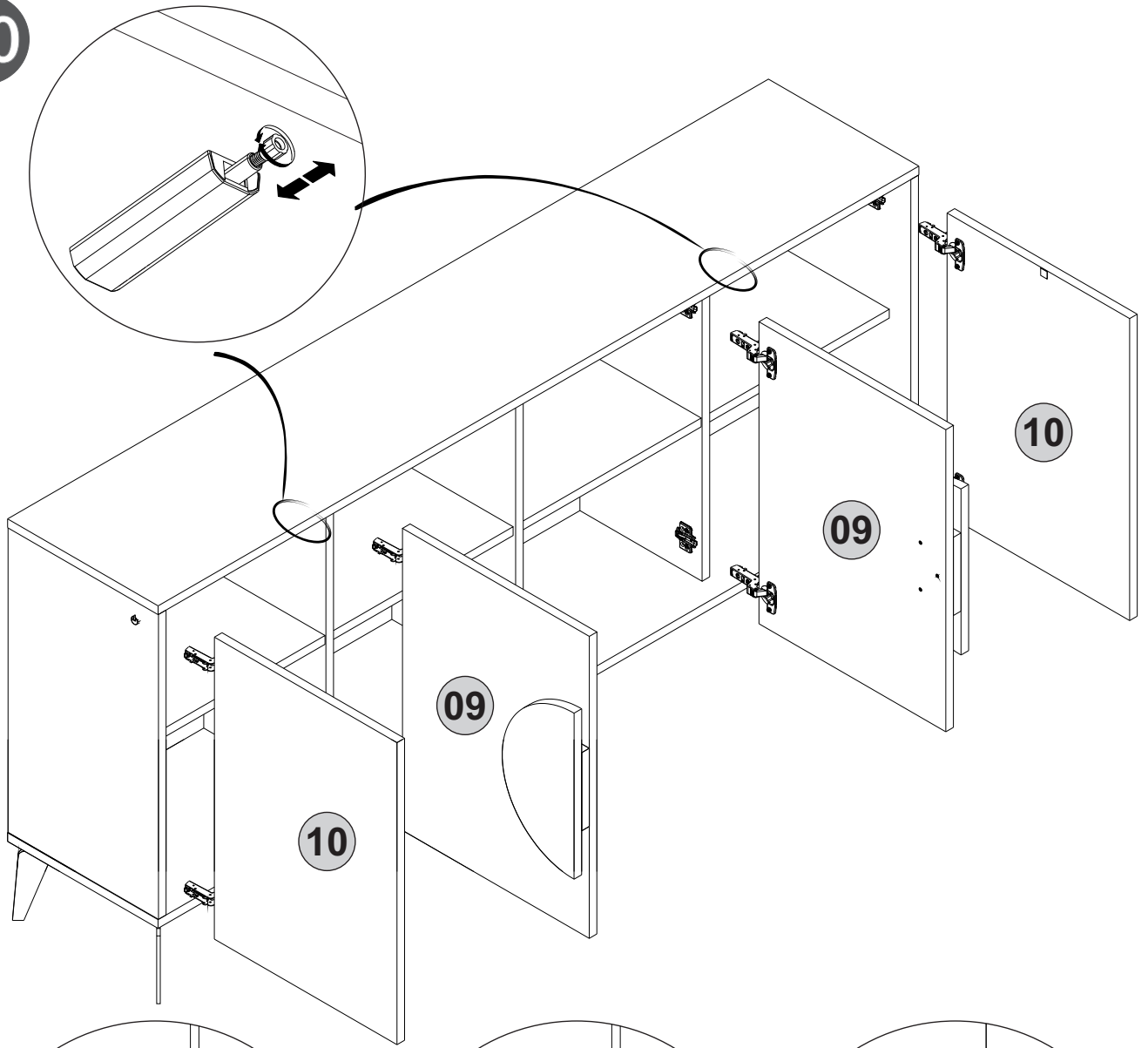


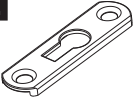



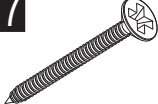
7

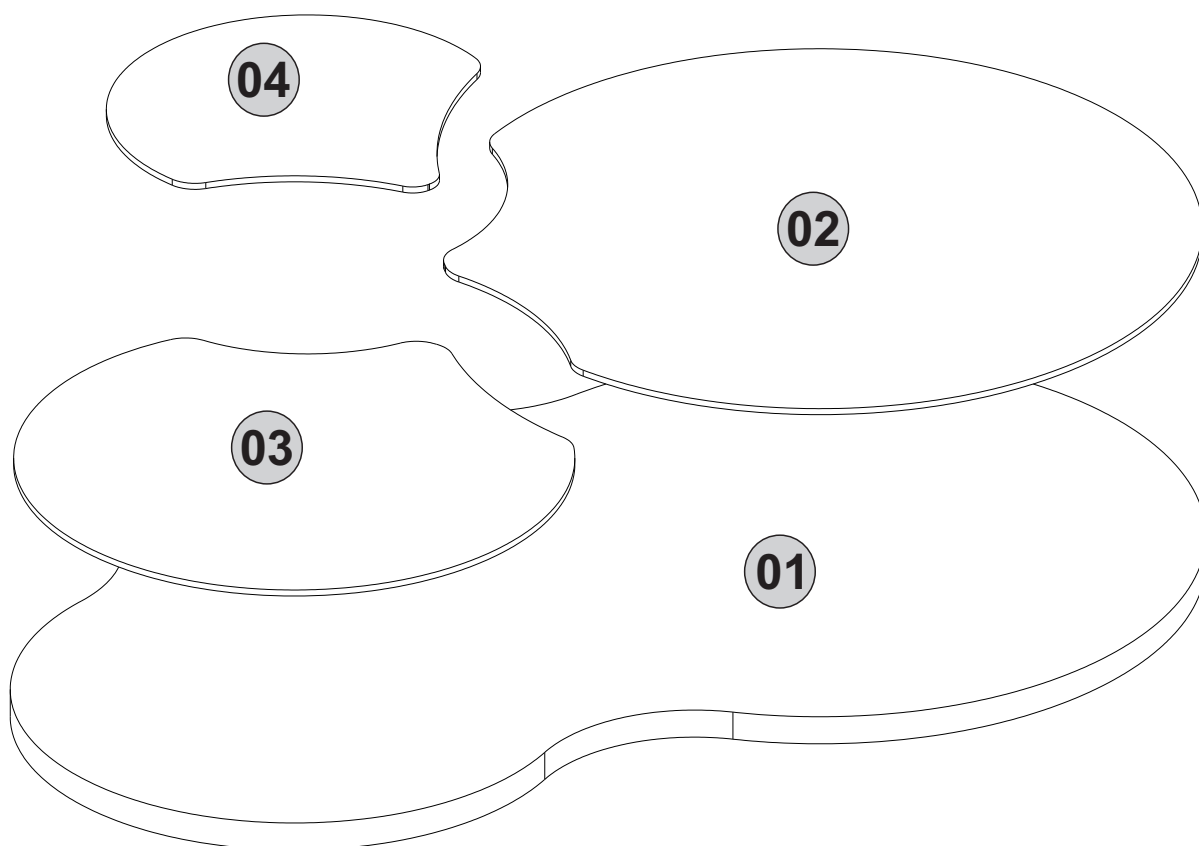


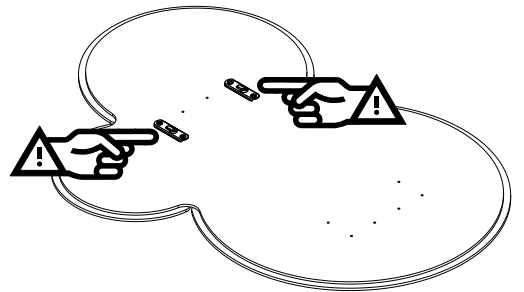
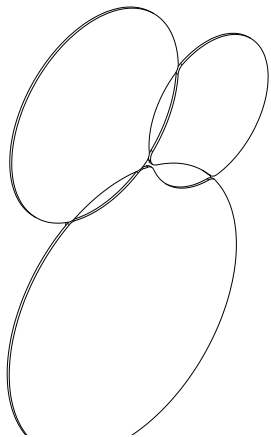
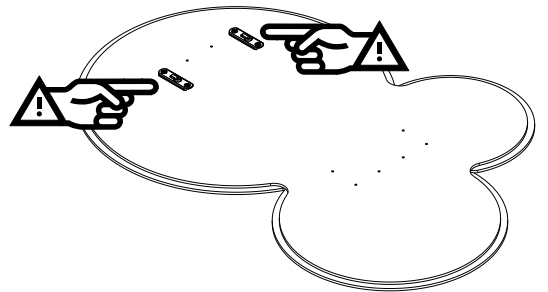
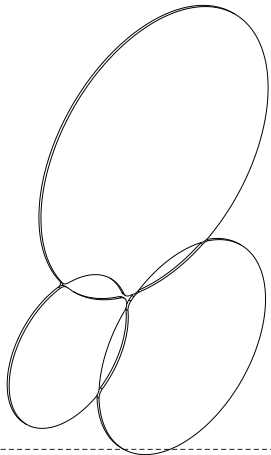
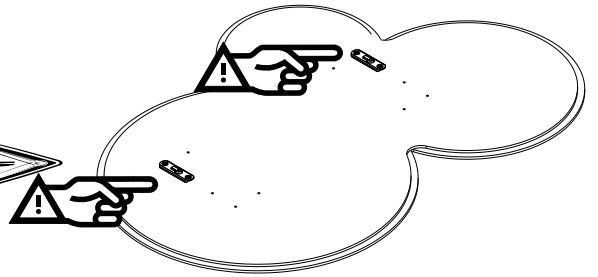
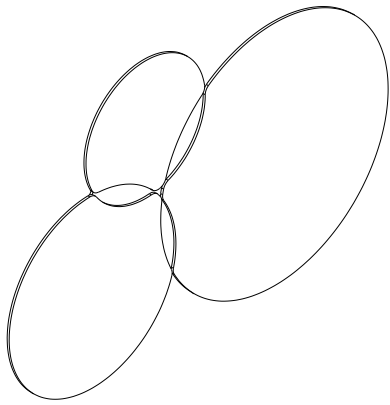
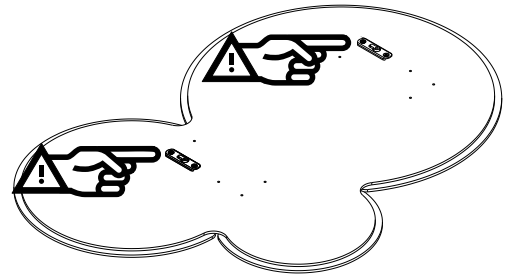
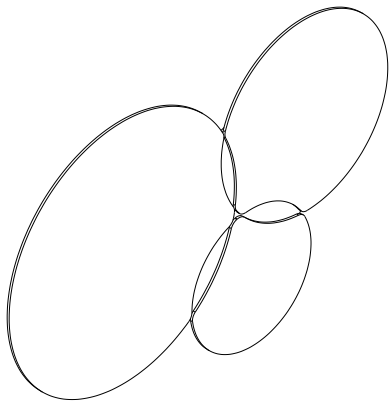


10

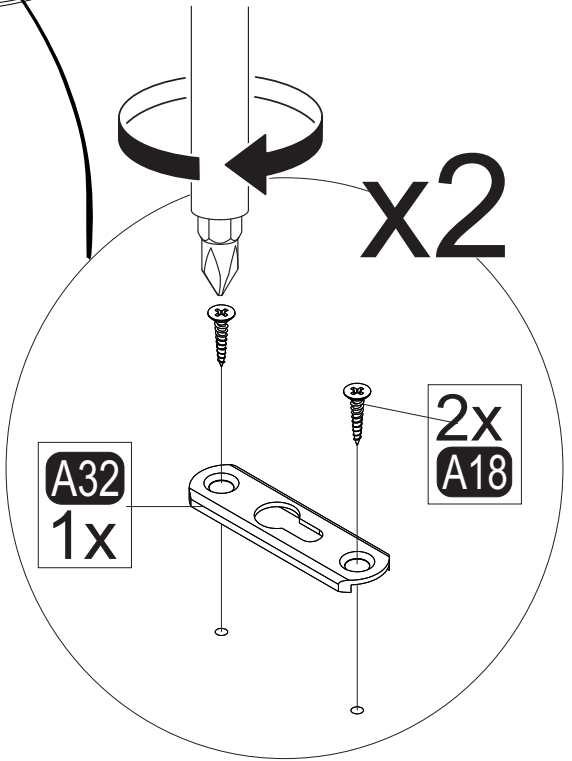
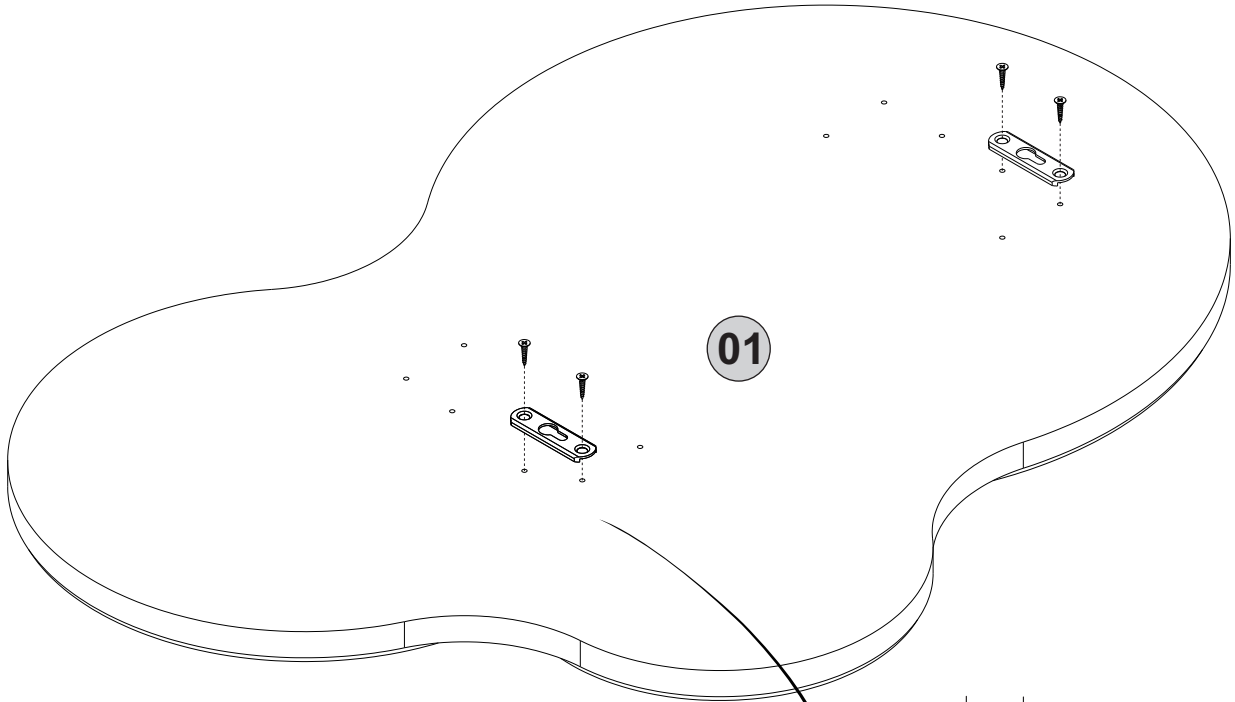


A32  60/16 2x	A18  3,5x18 4x	Z18  Gbdy 2x	A16  DbØ8 2x	A17  4X50 2x
---	--	--	--	--

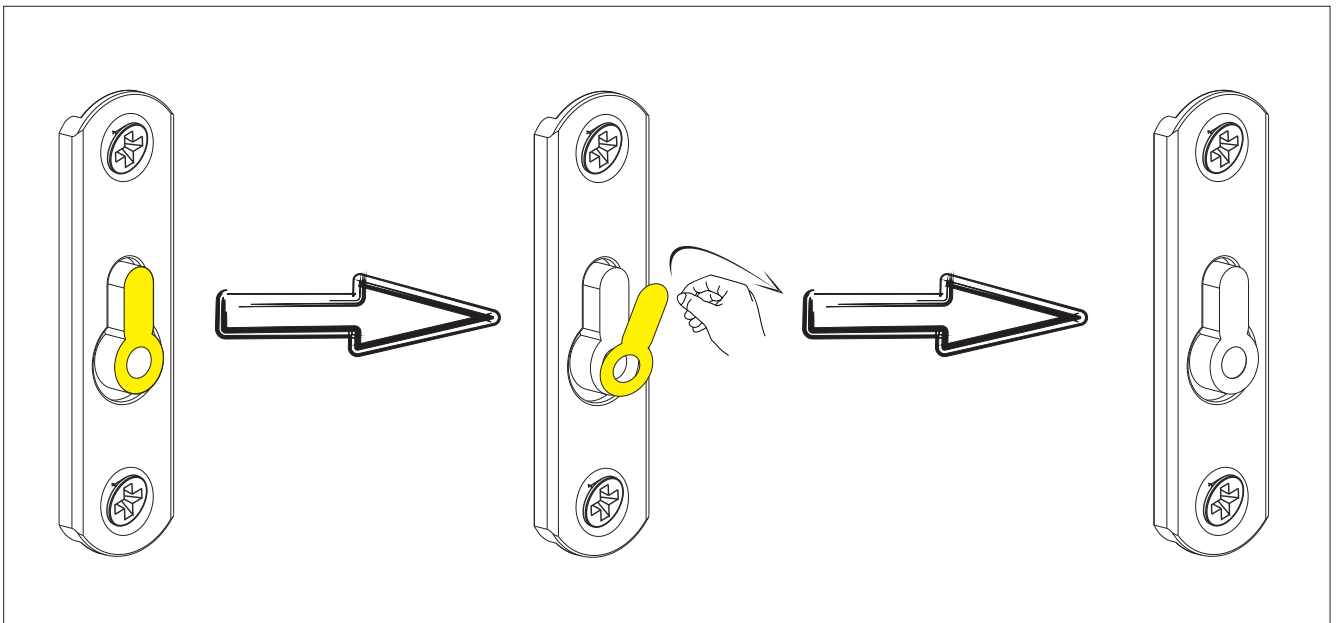
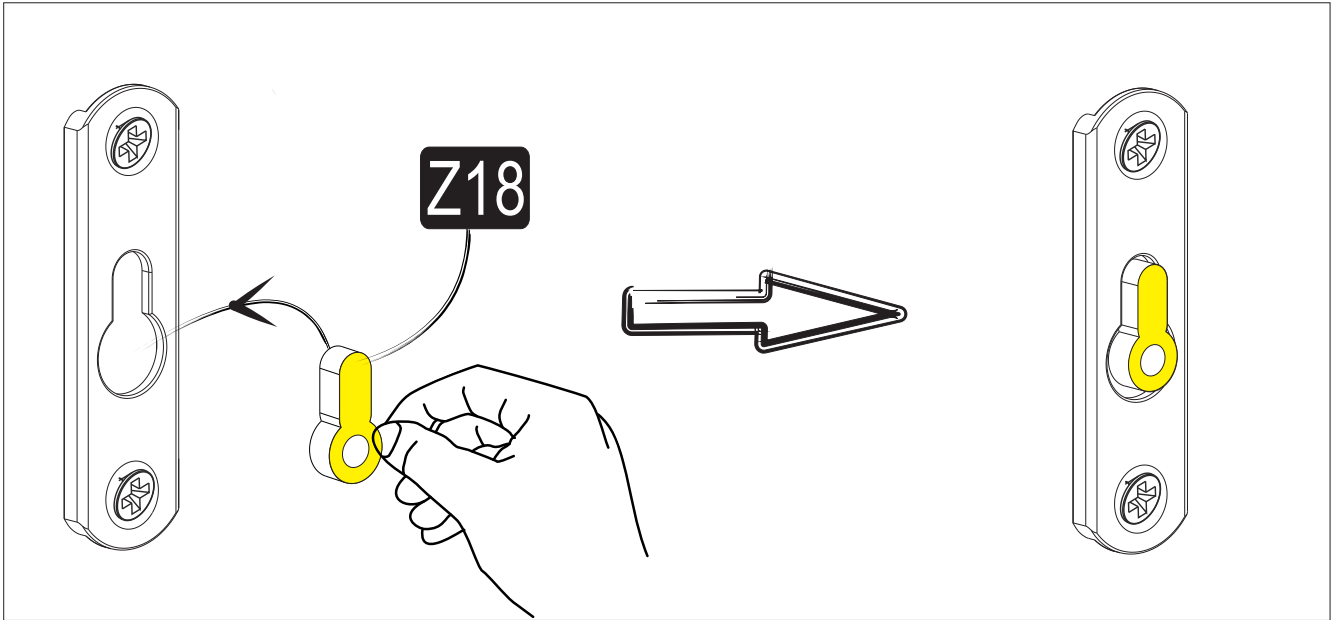




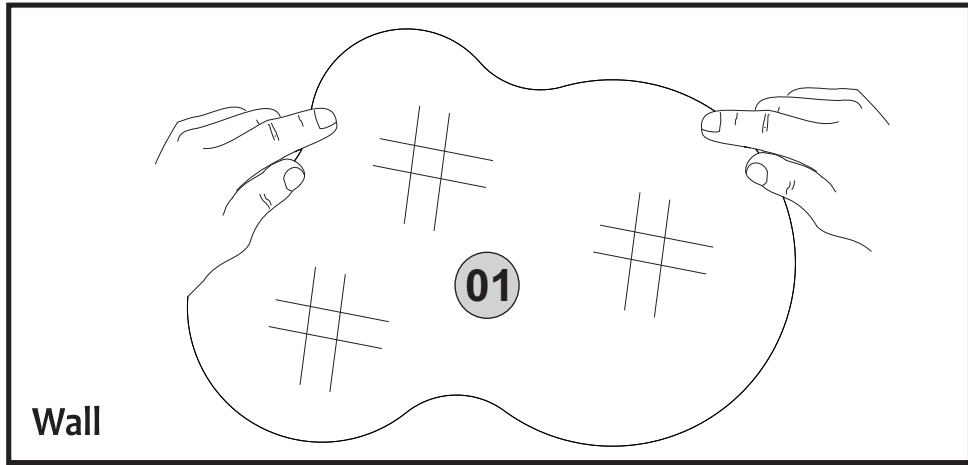
1



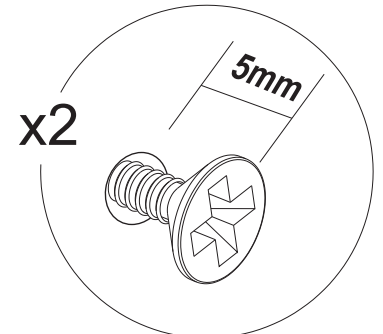
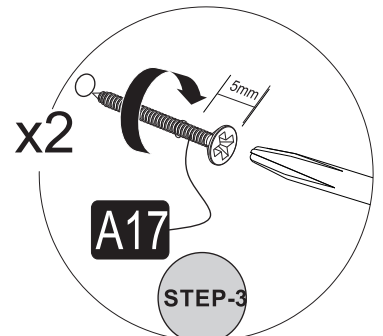
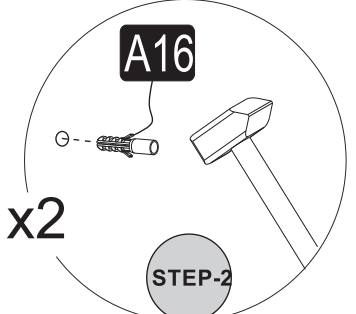
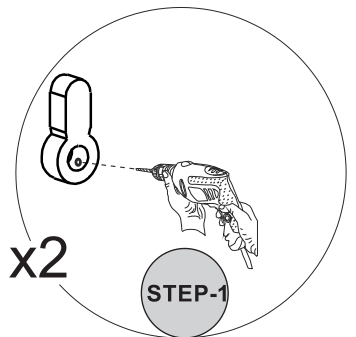
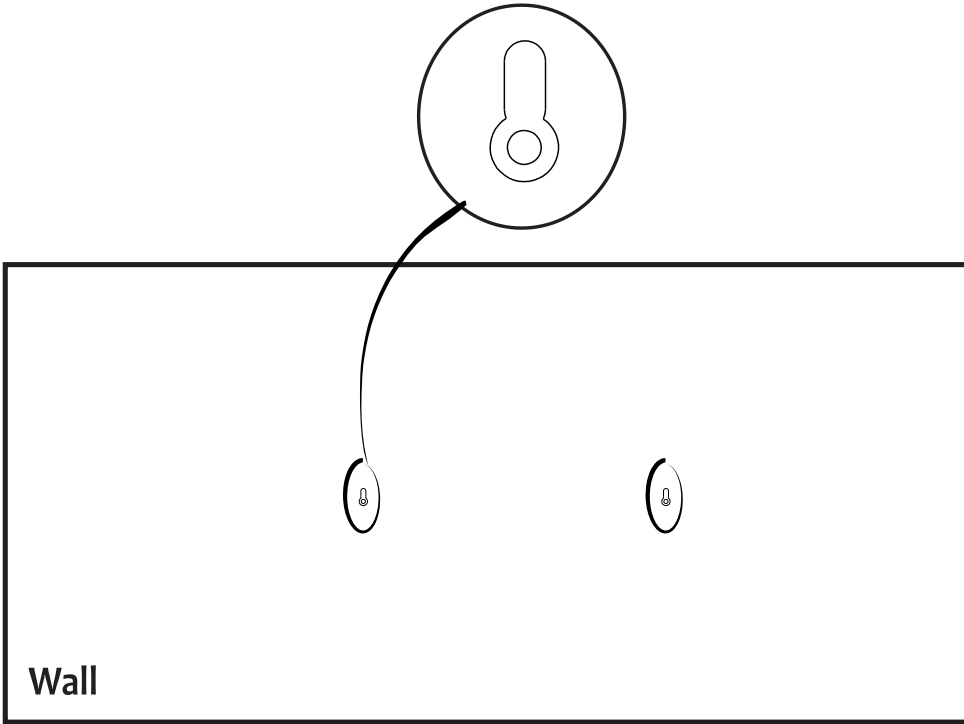
2
x2



3



4



5

