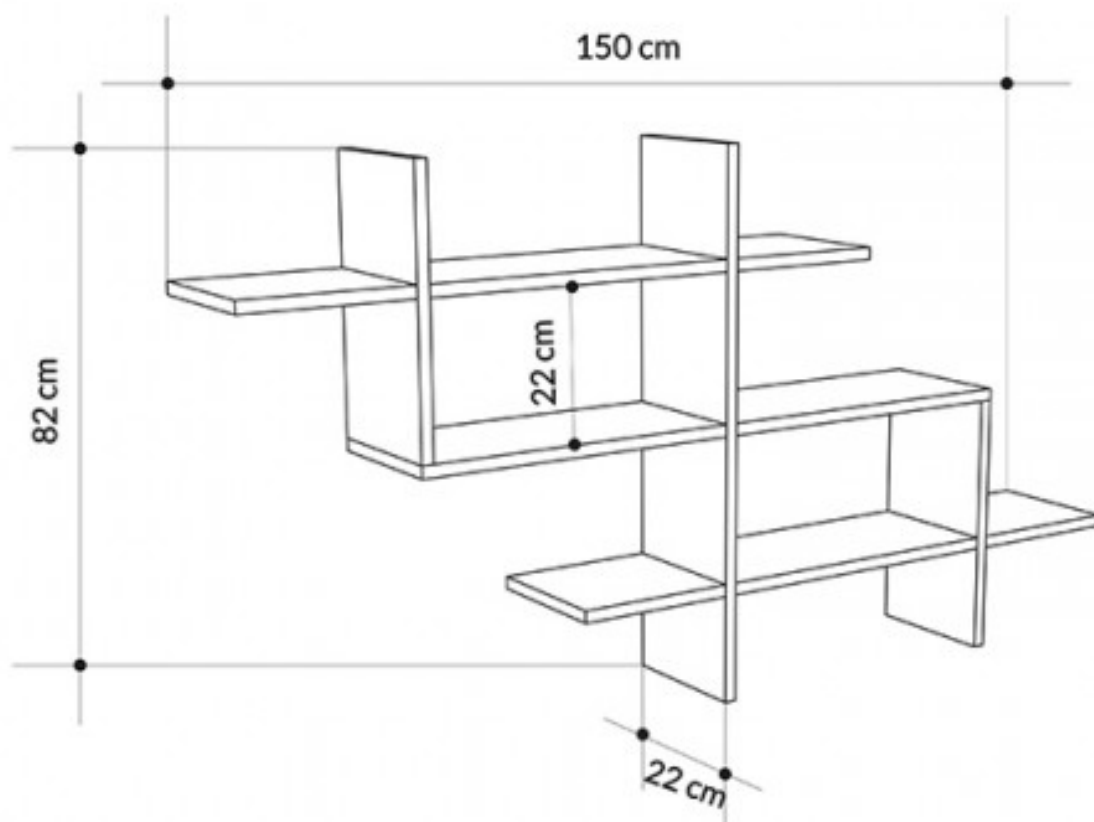

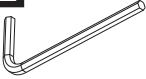
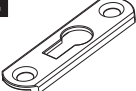

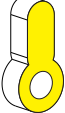

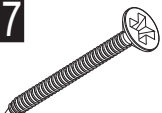

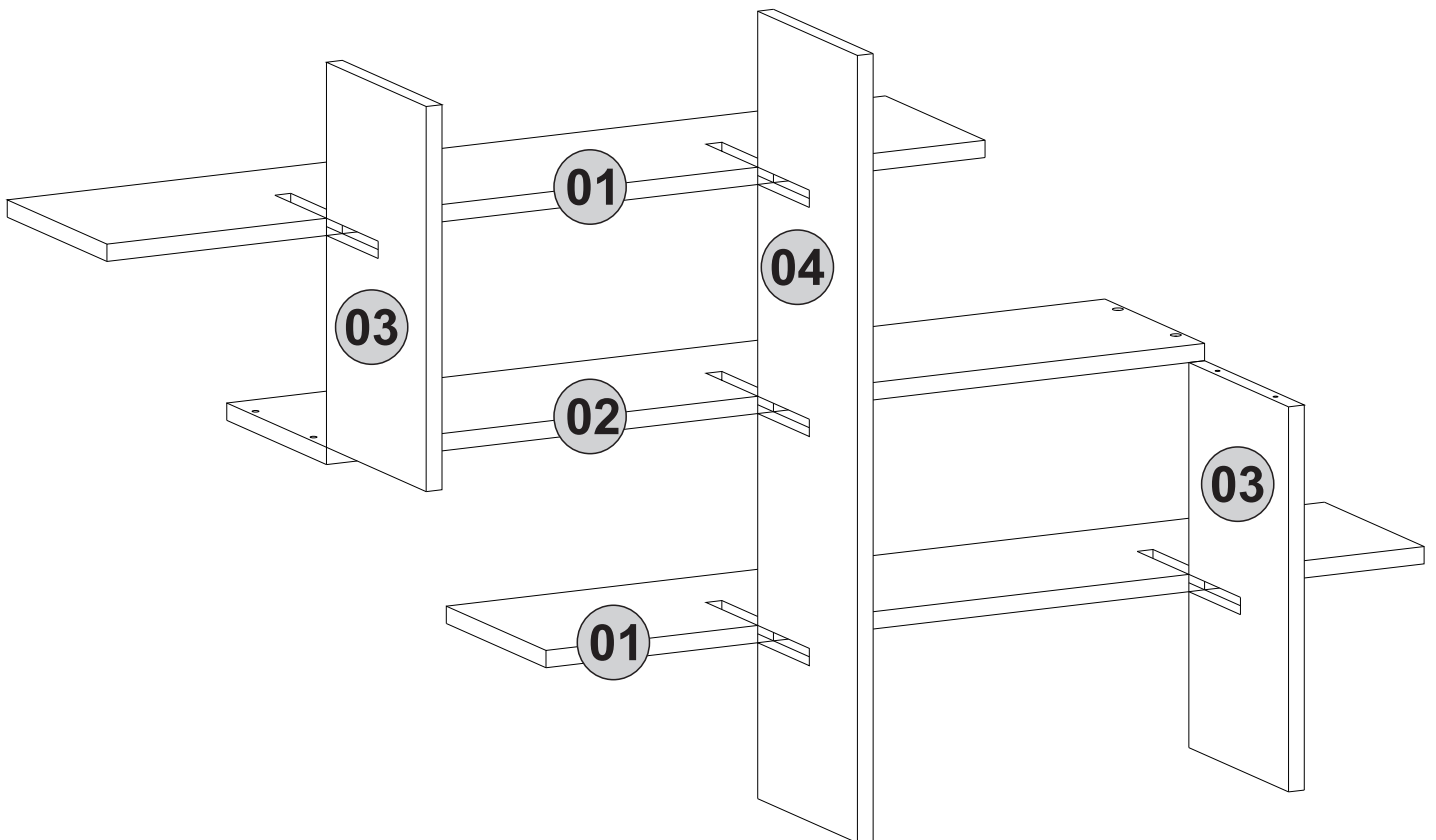


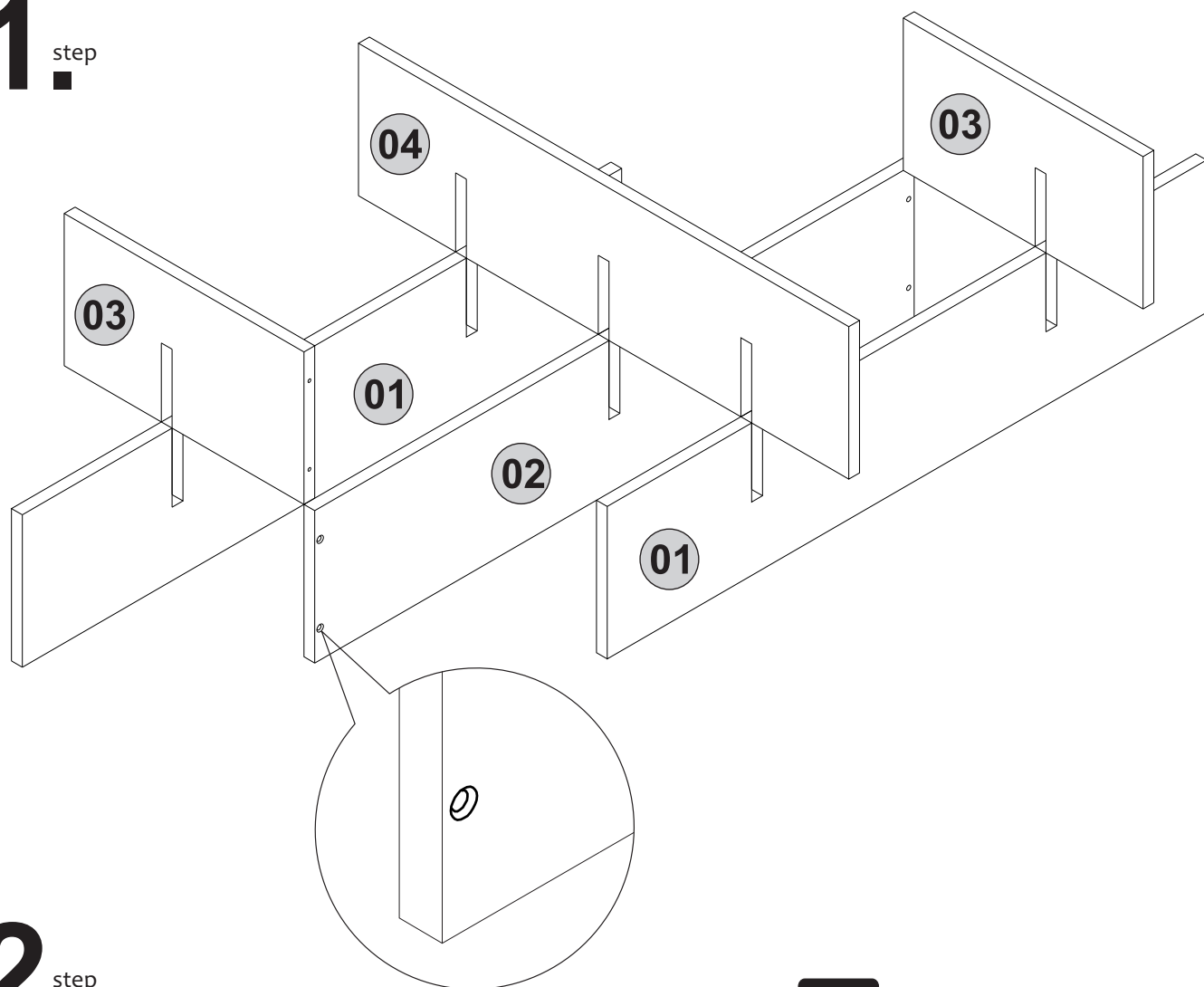
**i** GP037-0084,4



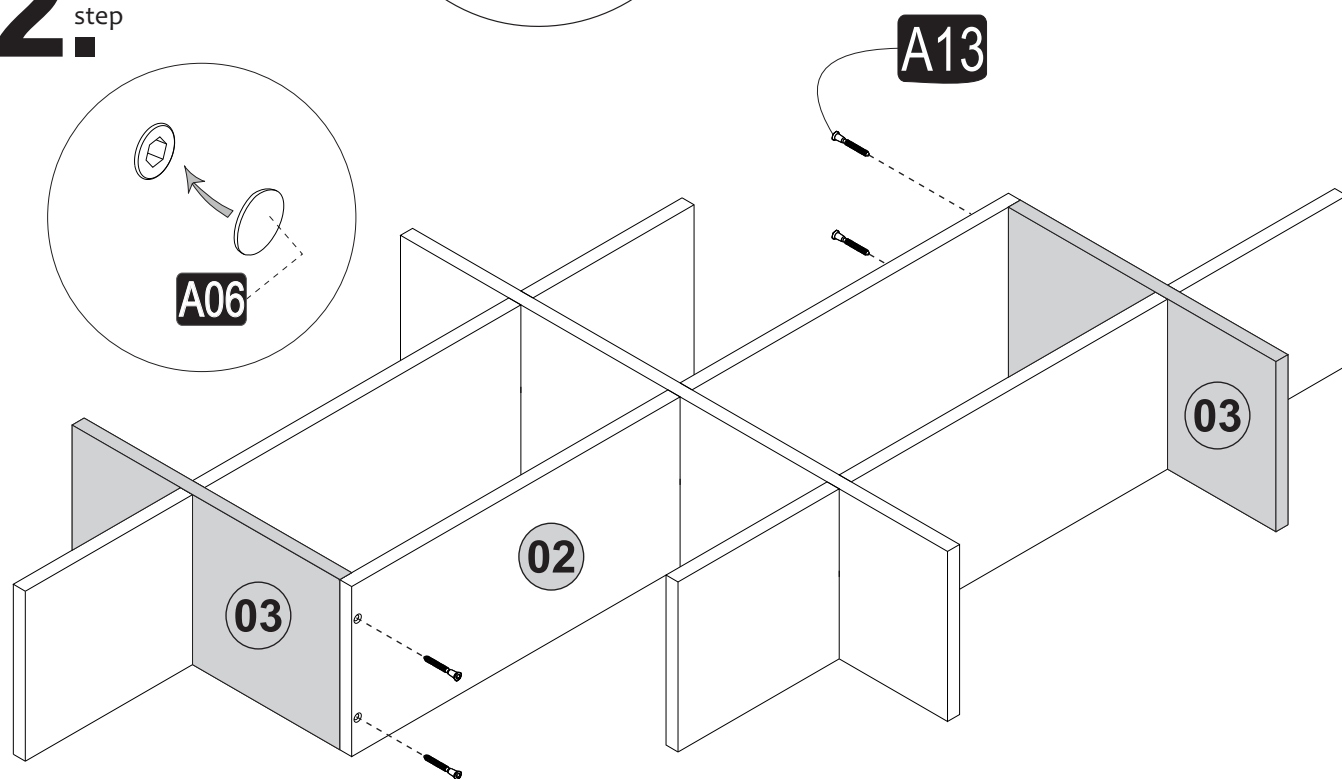
<b>A13</b>  50mm <b>4x</b>	<b>A12</b>  4 sw <b>1x</b>	<b>A32</b>  60/16 <b>3x</b>	<b>A11</b>  3,5x30 <b>6x</b>	<b>Z18</b>  Gbdy <b>3x</b>
<b>A16</b>  DbØ8 <b>3x</b>	<b>A17</b>  4x50 <b>3x</b>	<b>A06</b>  18mm <b>4x</b>		



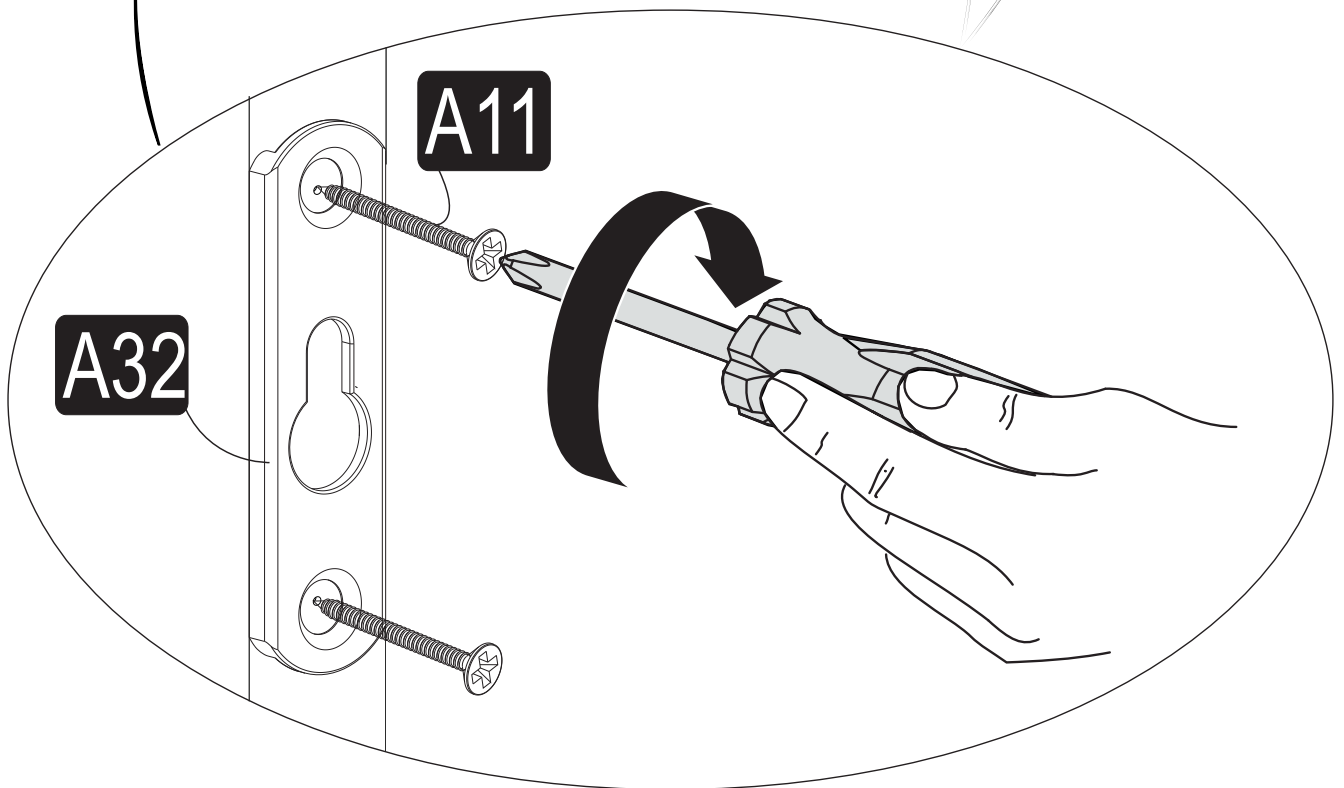
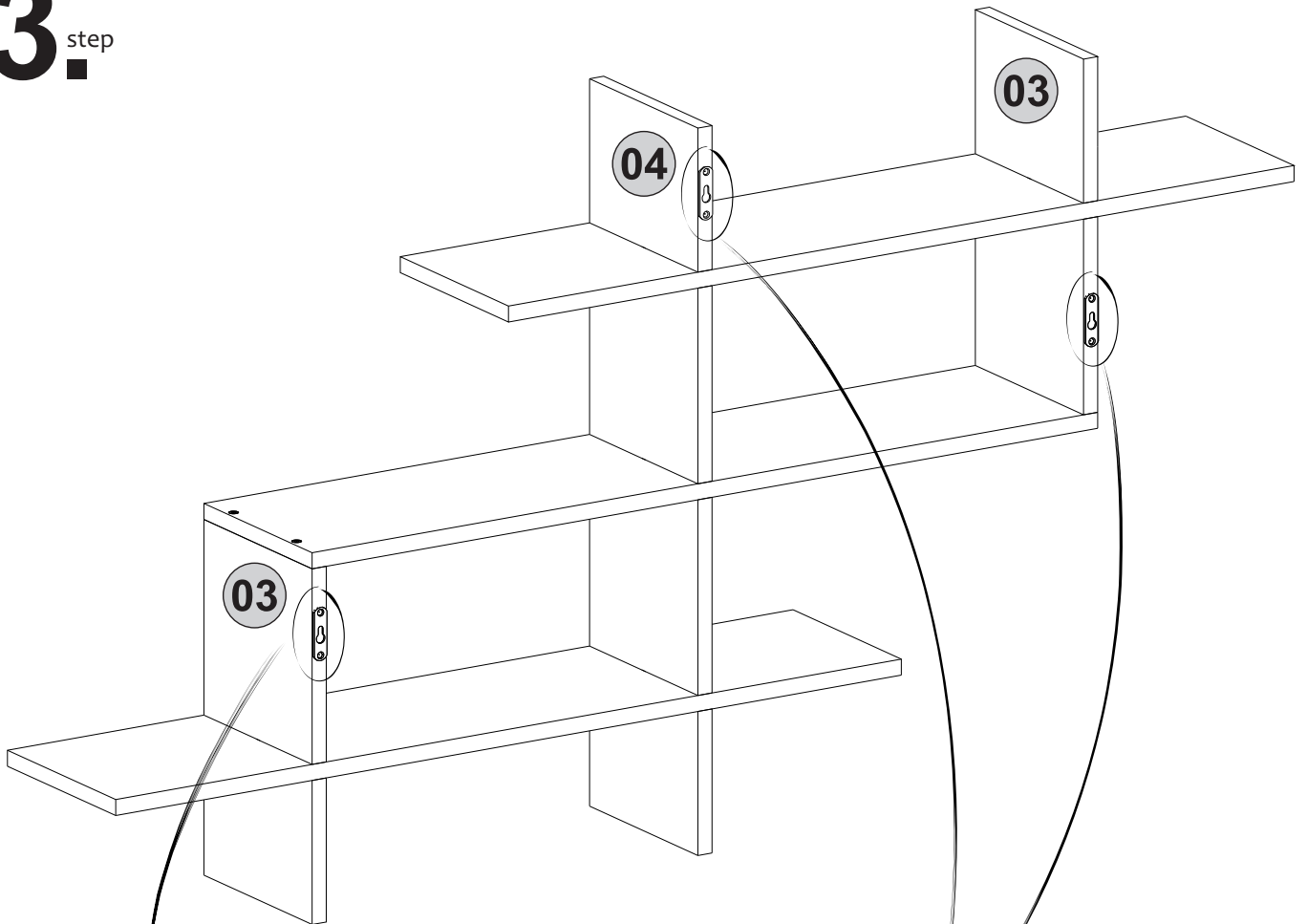
# 1. step



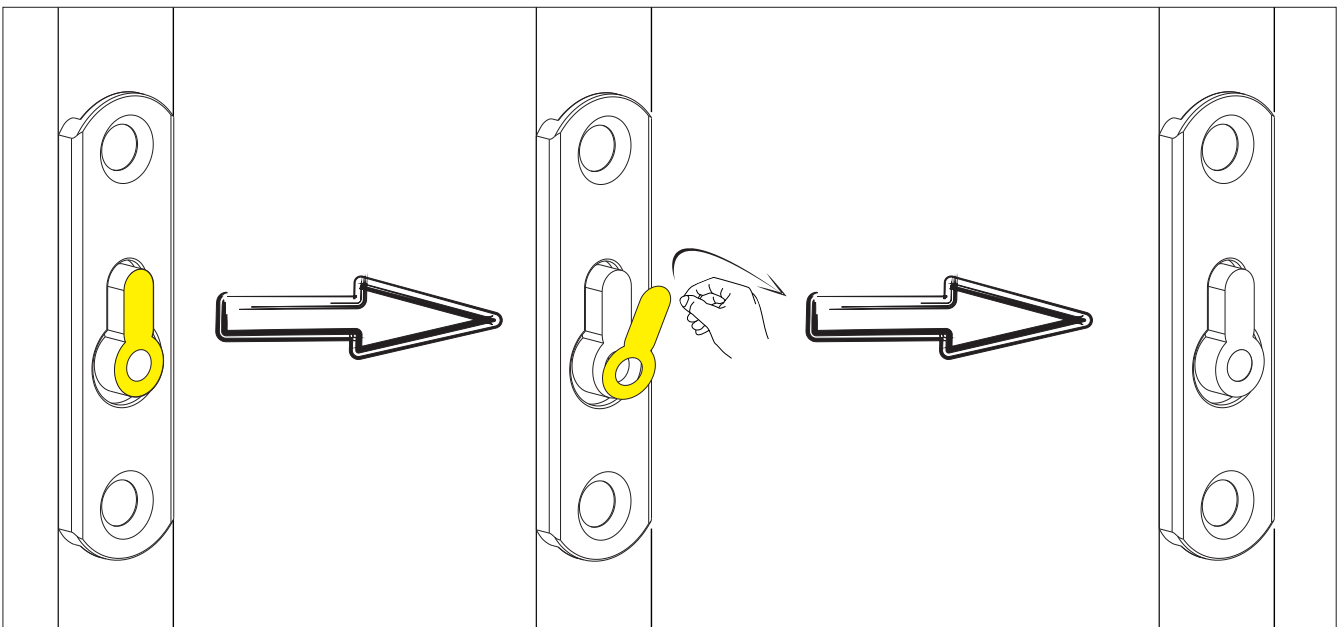
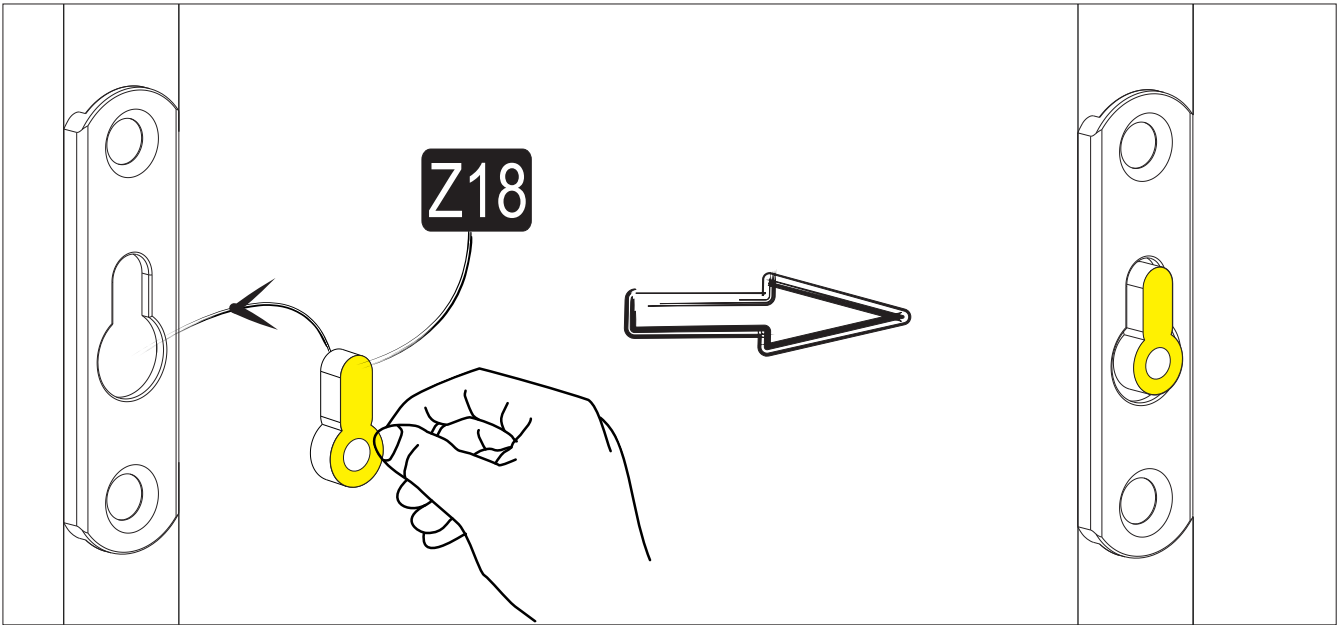
# 2. step



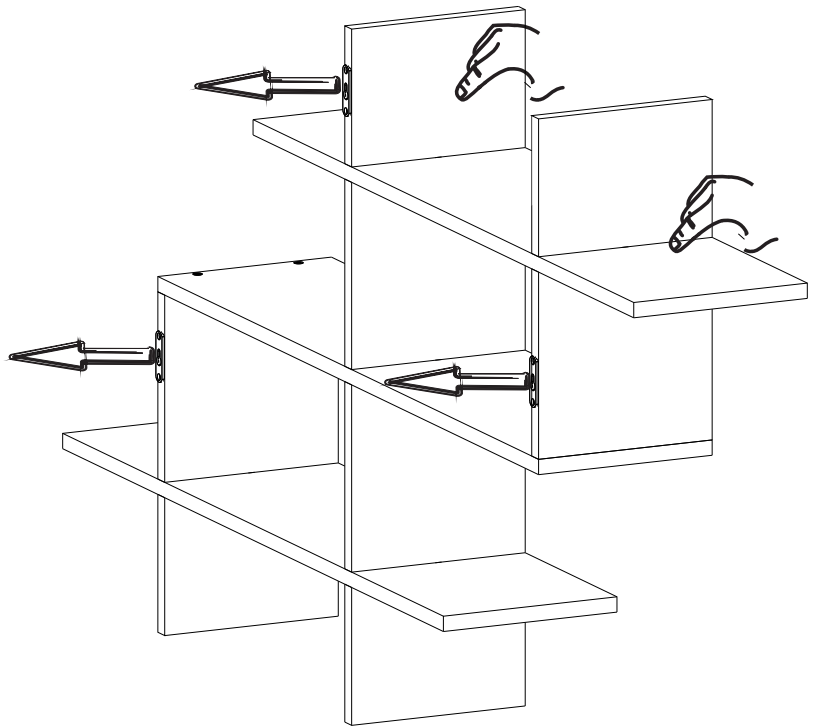
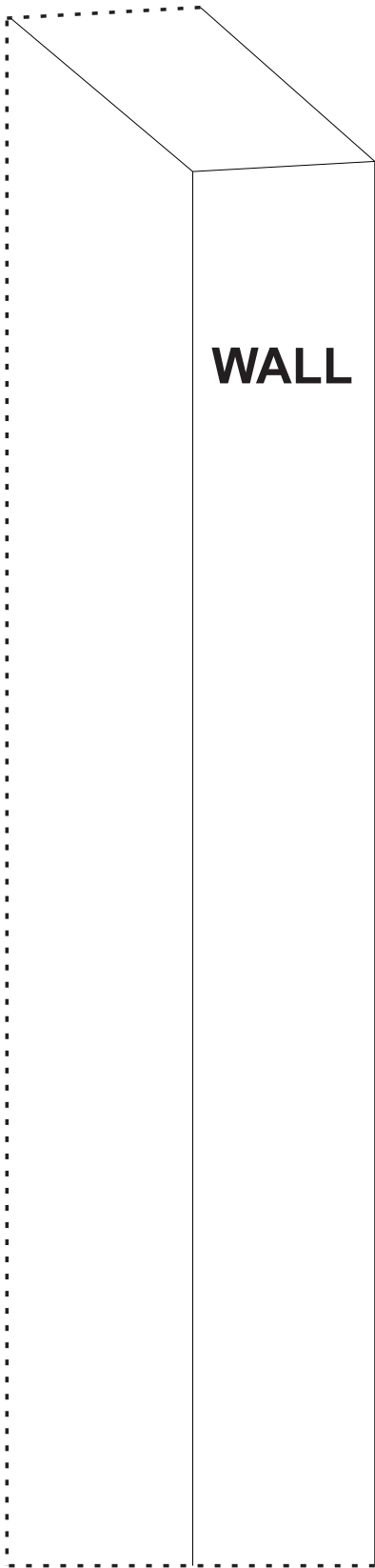
# 3<sub>step</sub>



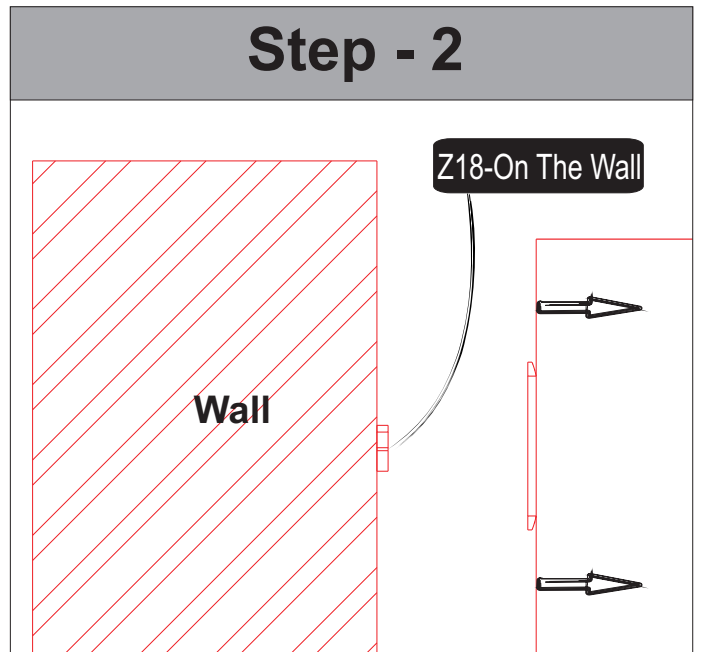
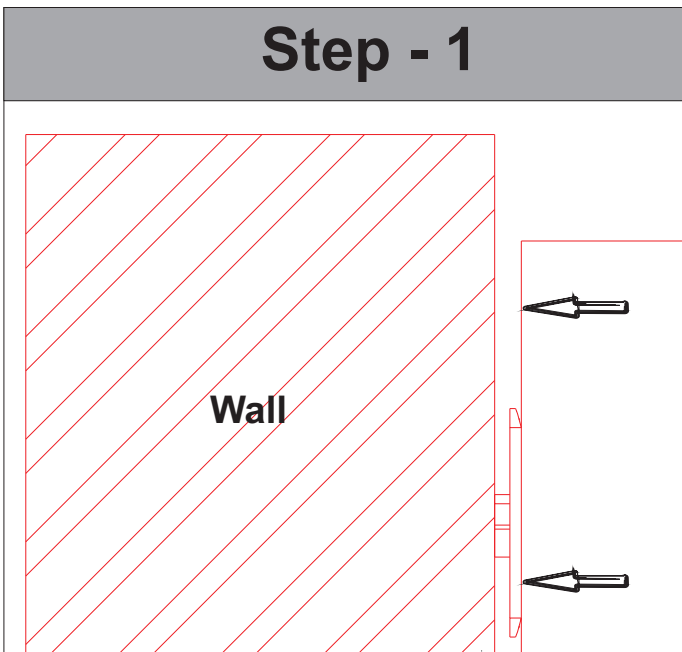
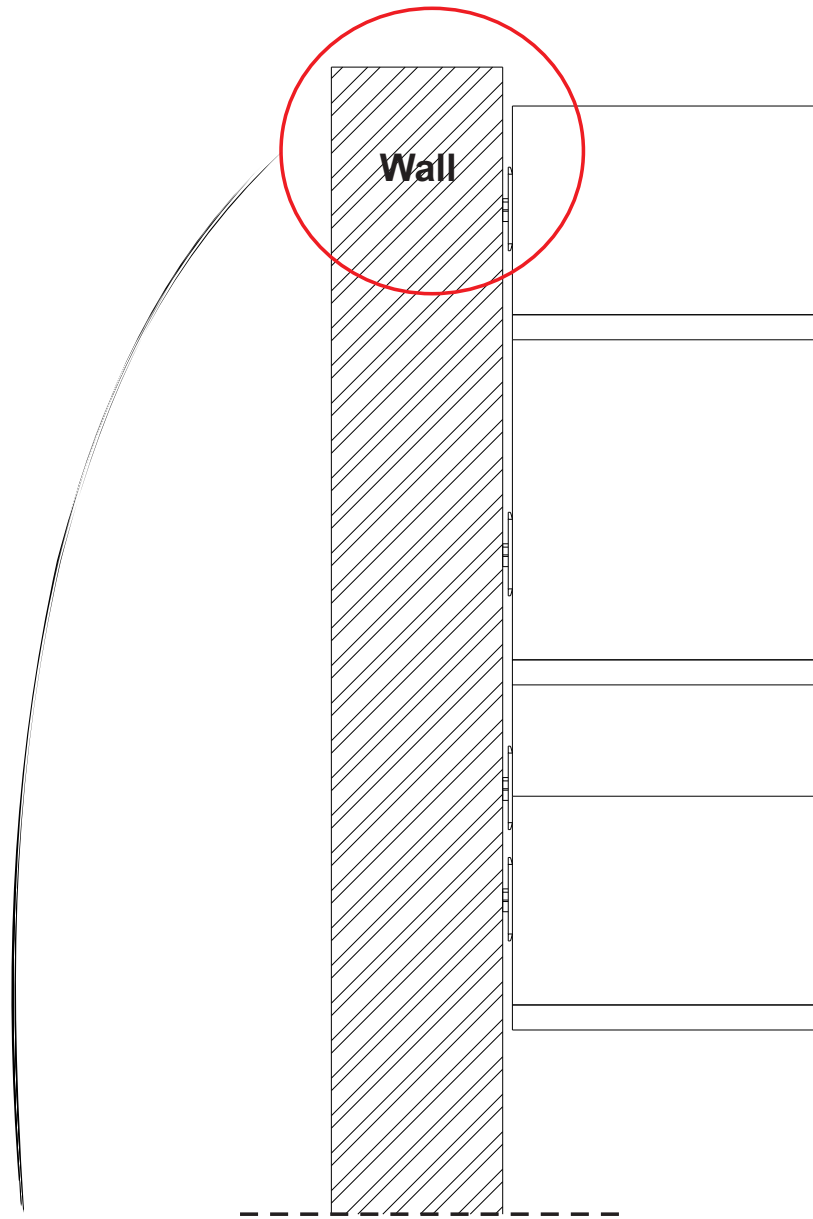
# 4<sub>step</sub>



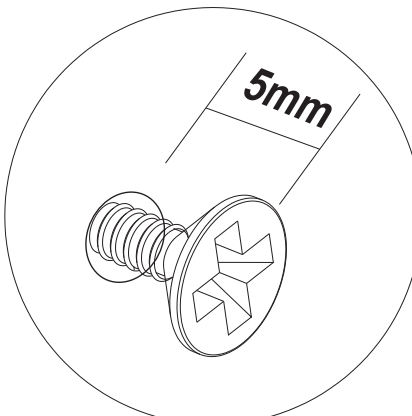
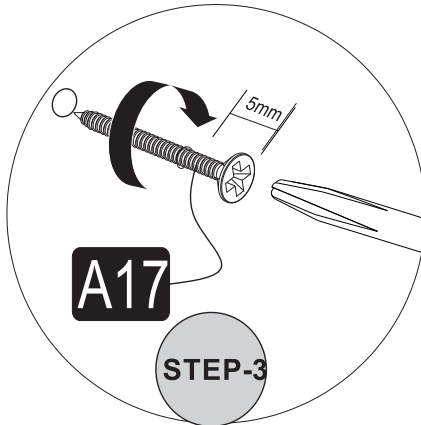
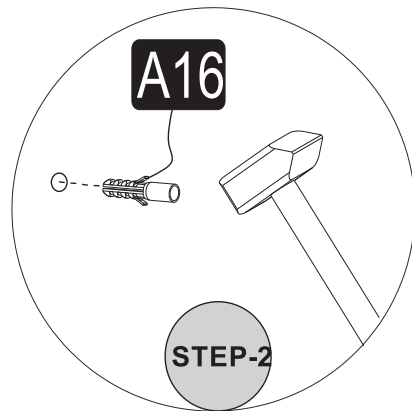
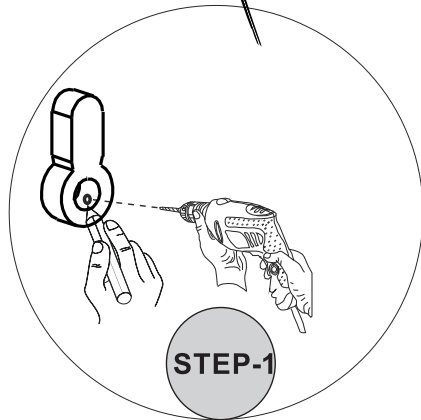
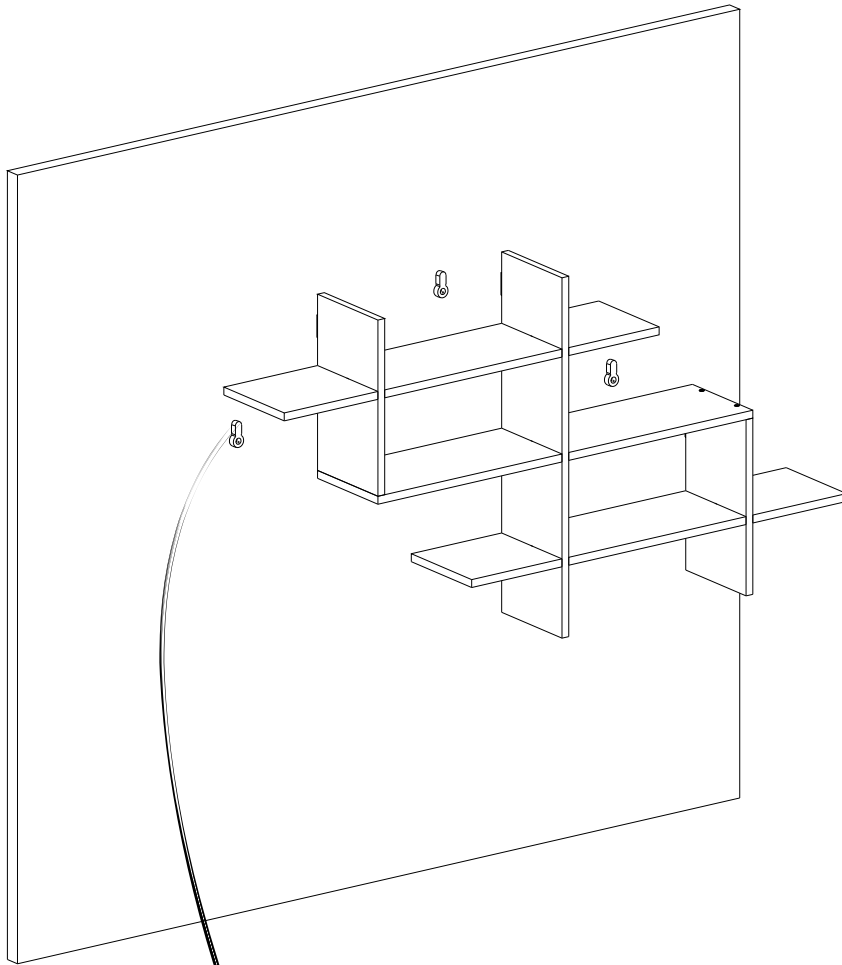
# 5<sup>step</sup>



# 6<sup>step</sup>



# 7<sup>step</sup>



# 8<sub>step</sub>

