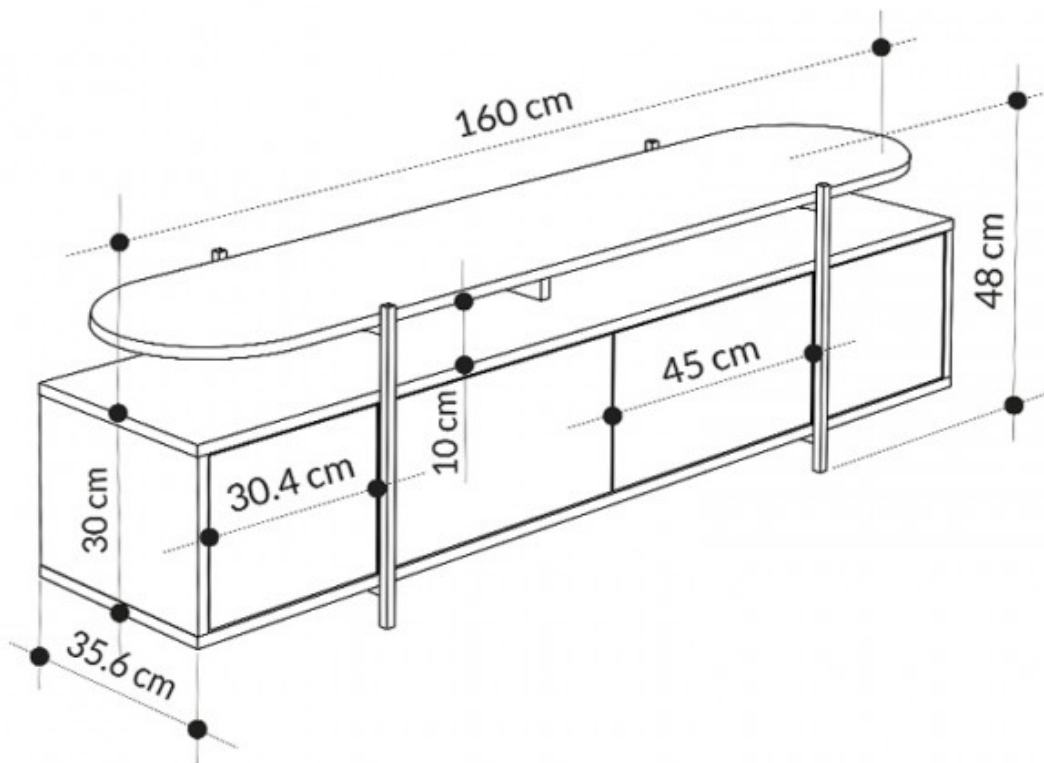
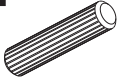

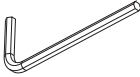


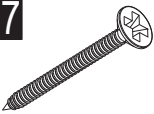


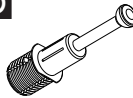
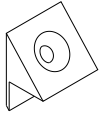


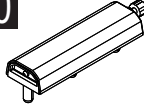
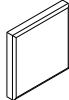
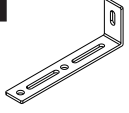

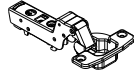


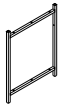
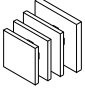
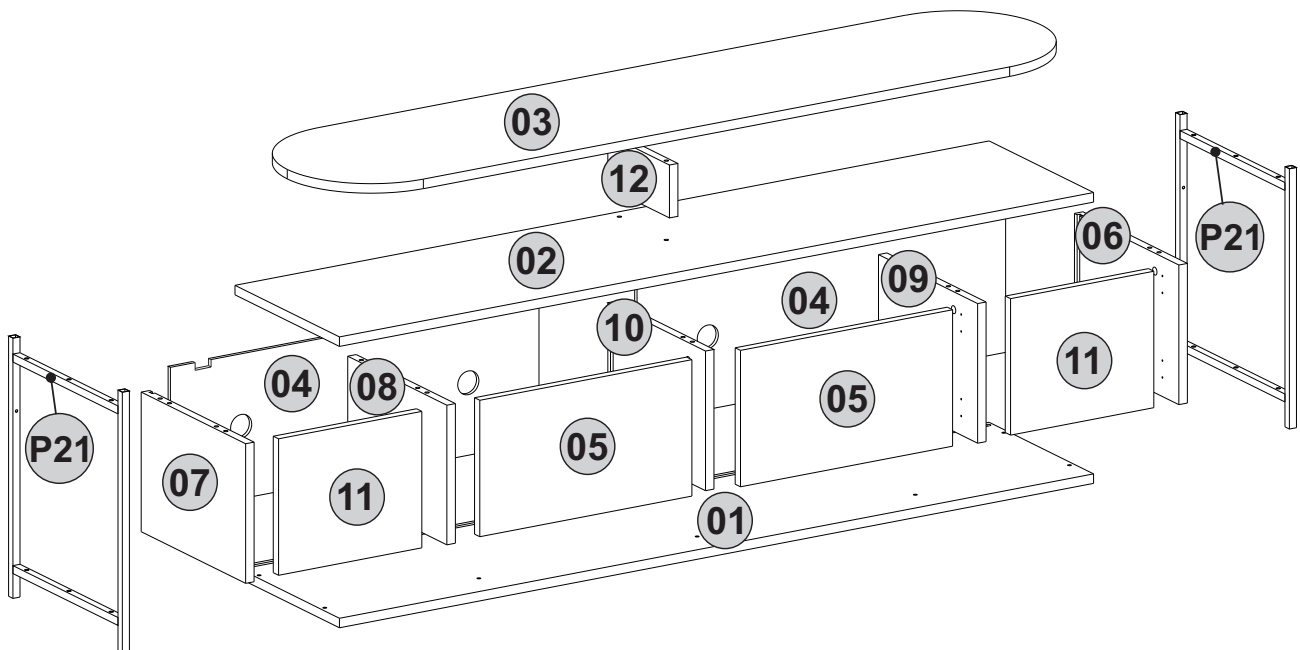
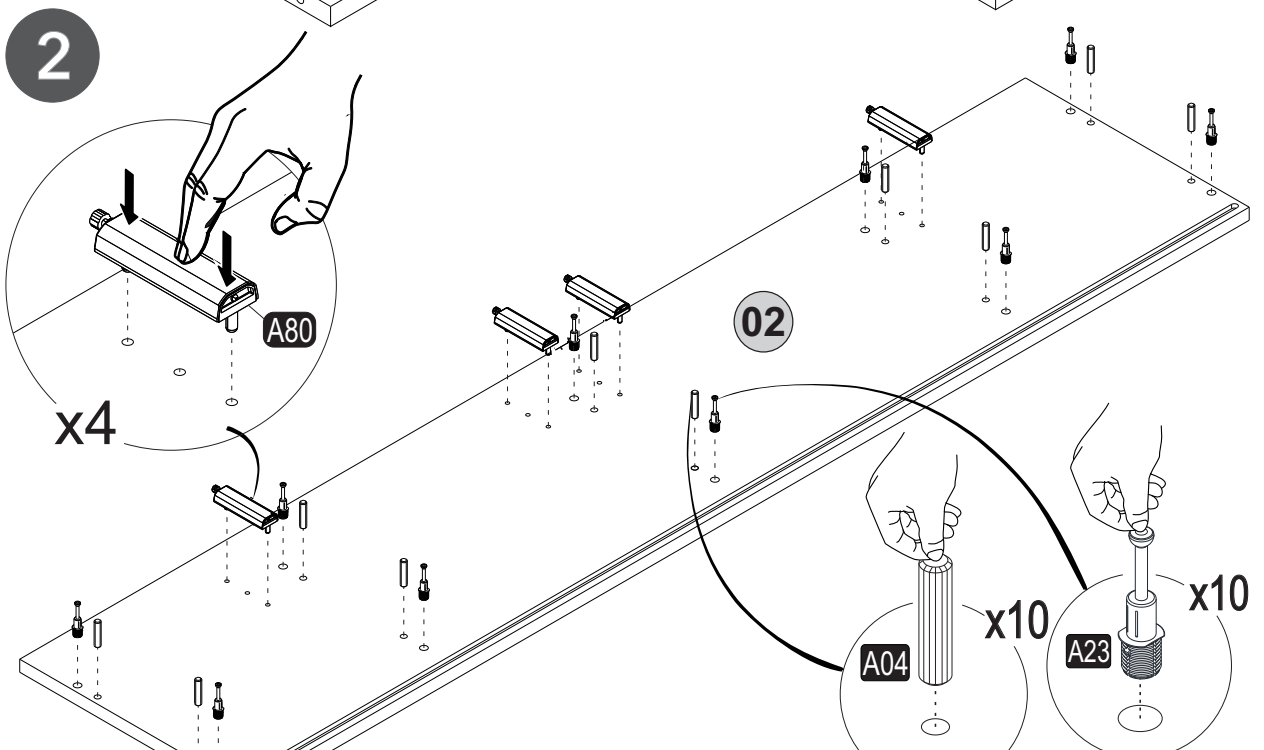
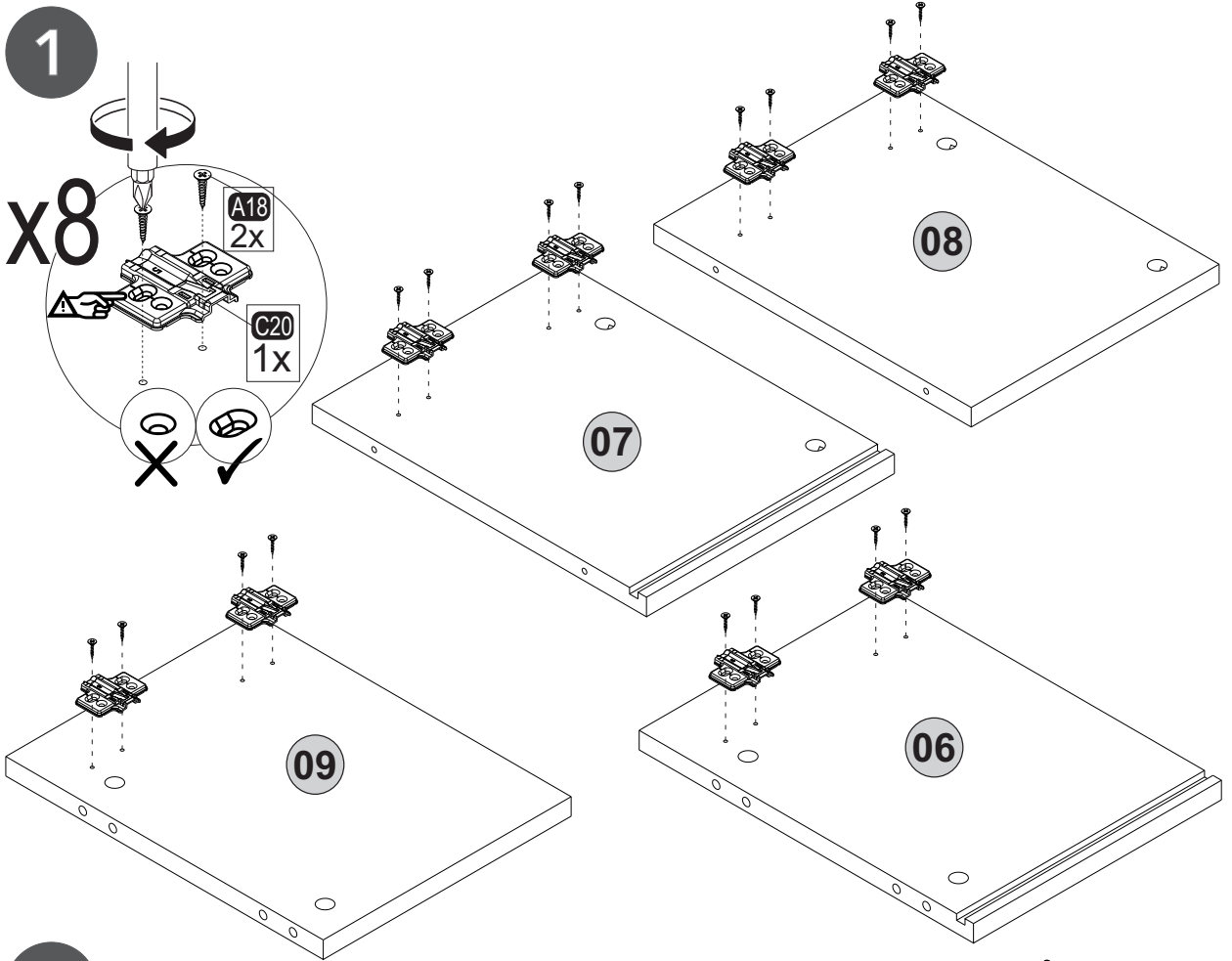


i GP037-0086,1

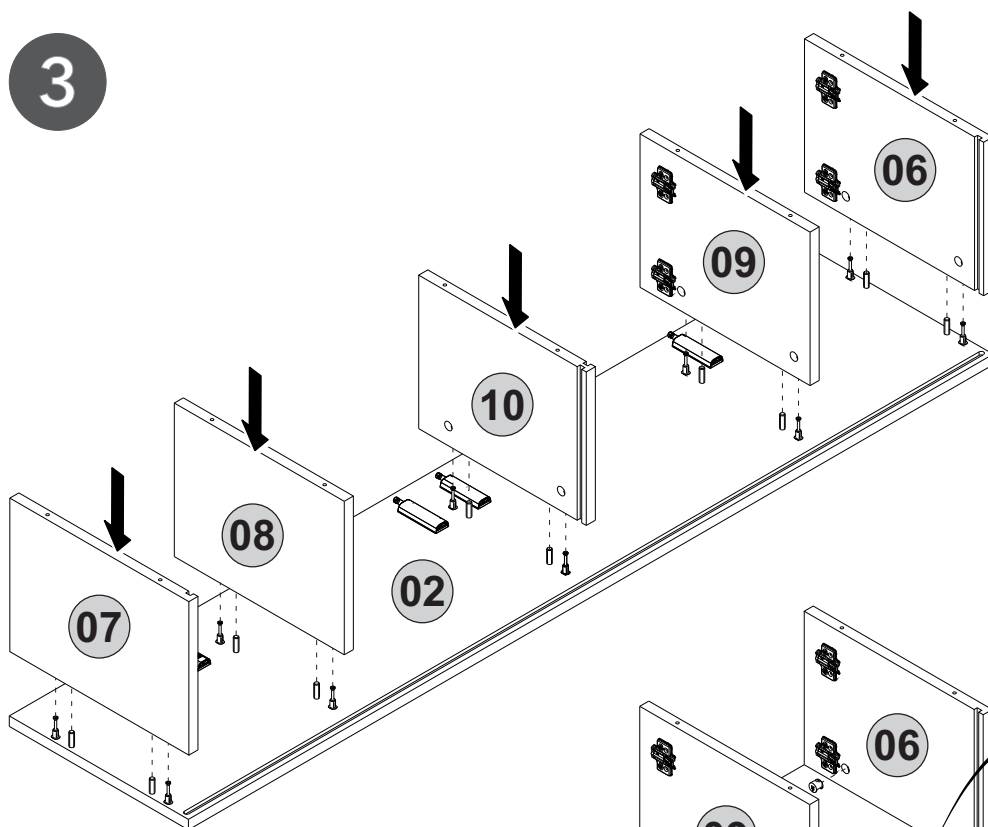


A04  Ø8x30 14x	A06  18mm C1-20x	A12  Allen 1x	A13  50mm 10x	A16  DbØ8 2x
A17  4x50 2x	A18  3,5x18 60x	A22  Minifix k18 10x	A23  Minifix M10 10x	A25  ARK.PL 8x
A54  4x30 2x	A69  P.D. 12x	A80  bas ac 4x	A82  bas ac k. 4x	A87  15x90x30 2x
B13  25 (black)mm 12x	C16  Sdb(S) 4x	C19  SdbF(S) 4x	C20  Mtk(S) 8x	P21  htm 2x
Z21  15x15x18 4x				



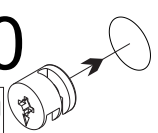


3

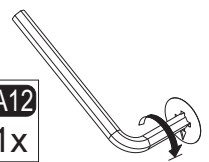


x10

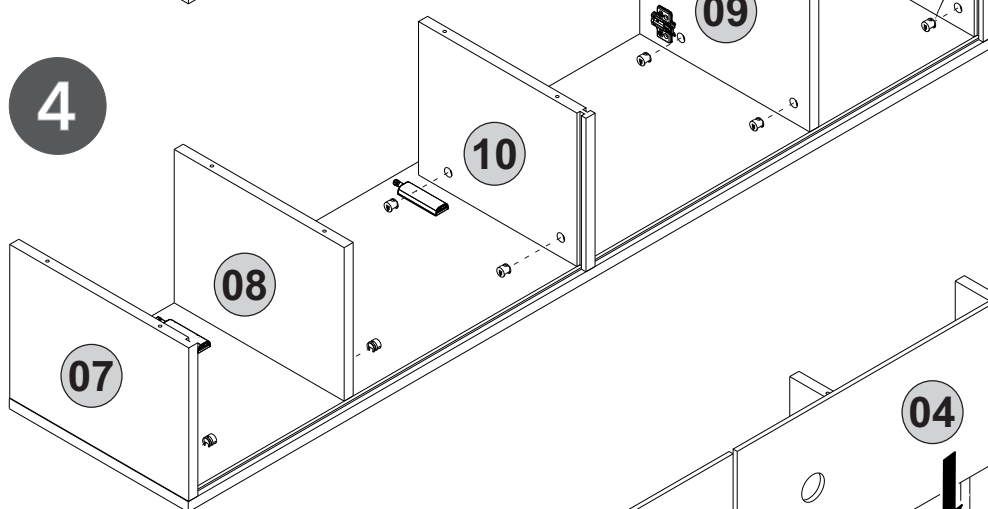
A22
1x



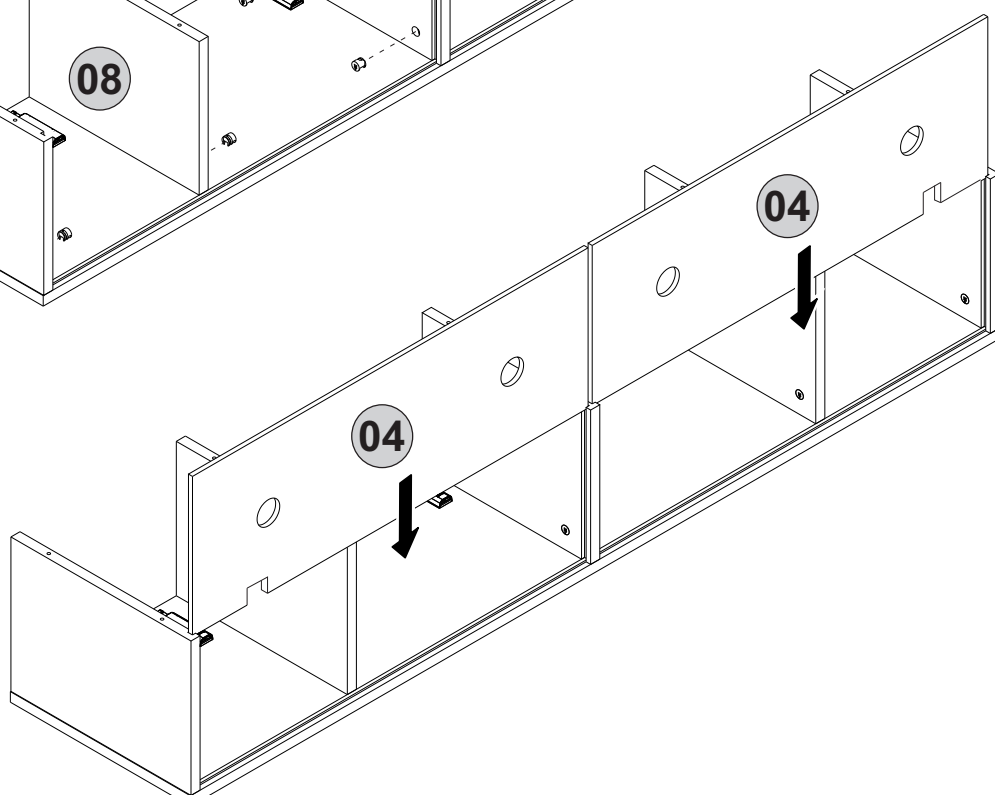
A12
1x



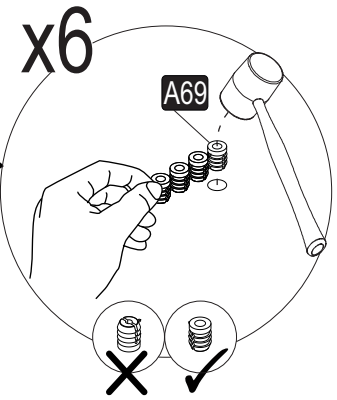
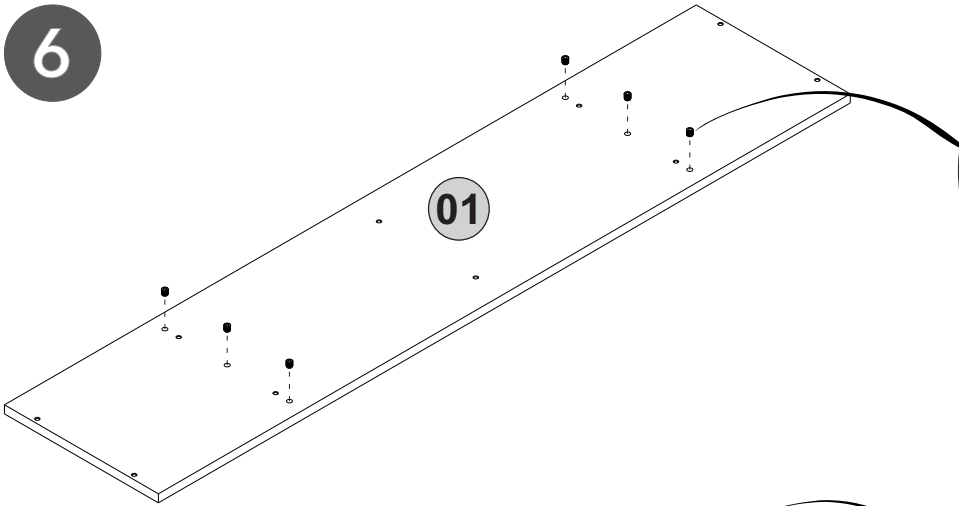
4



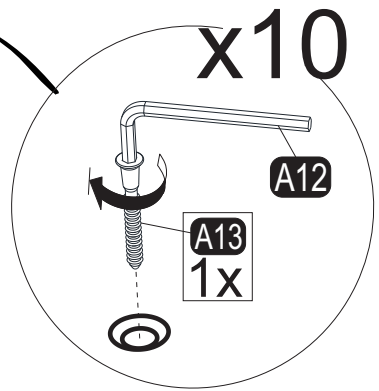
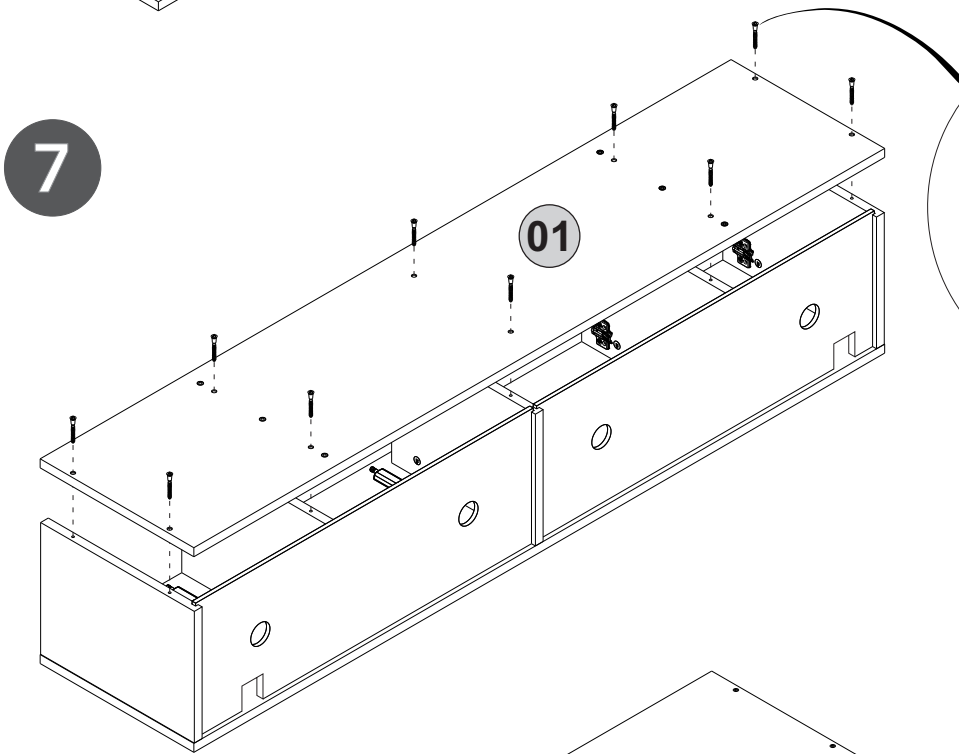
5



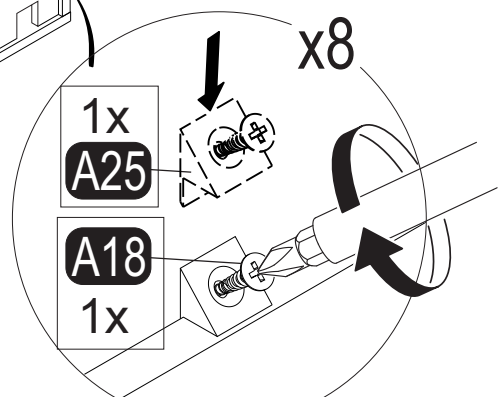
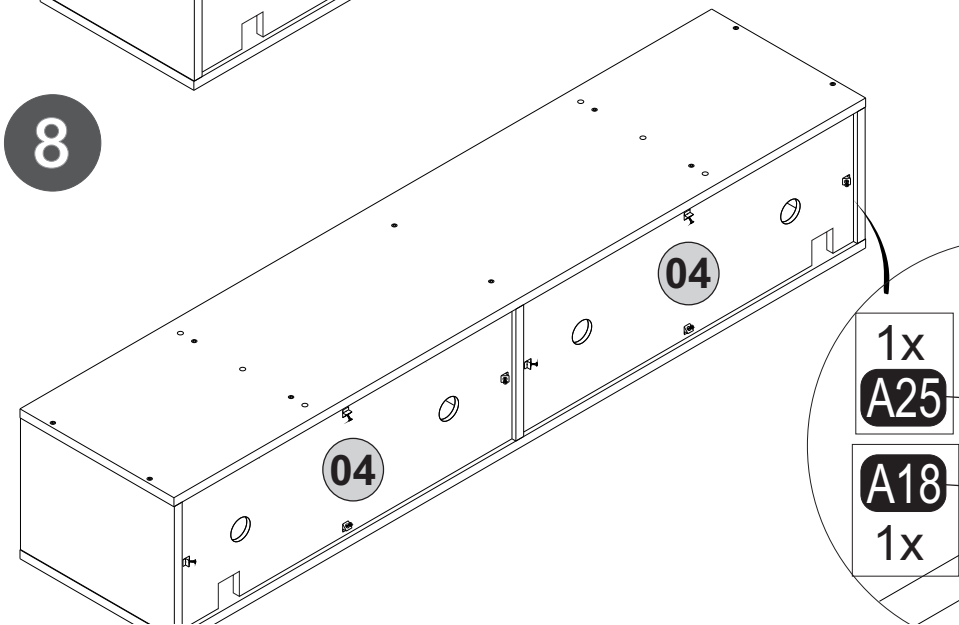
6

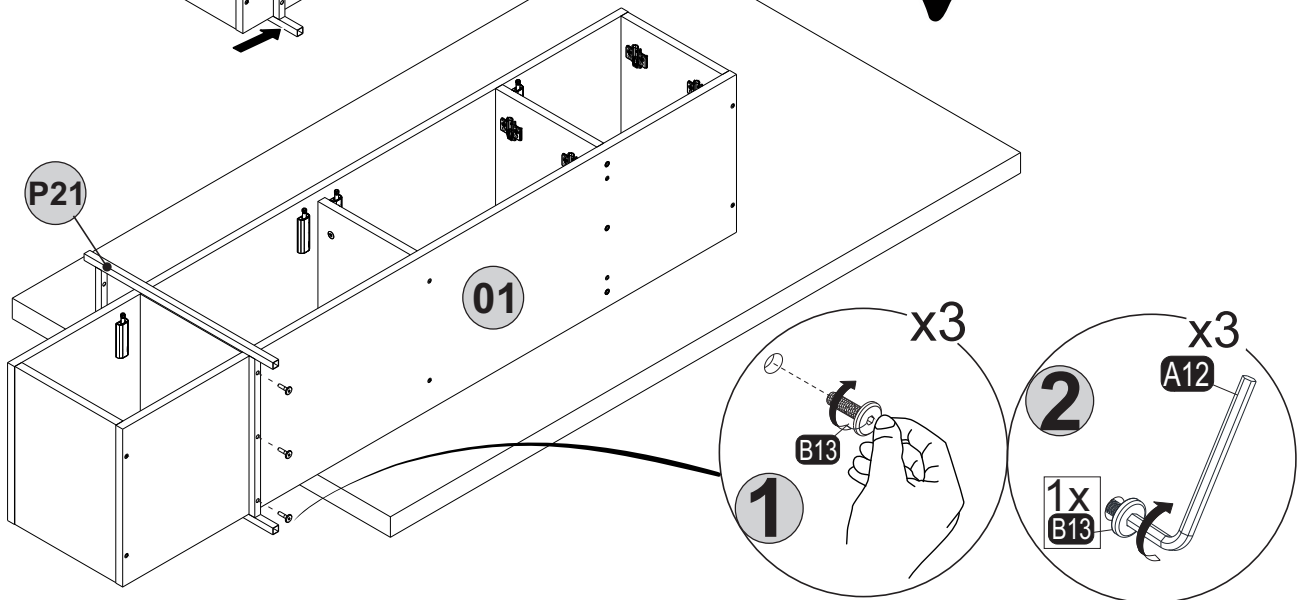
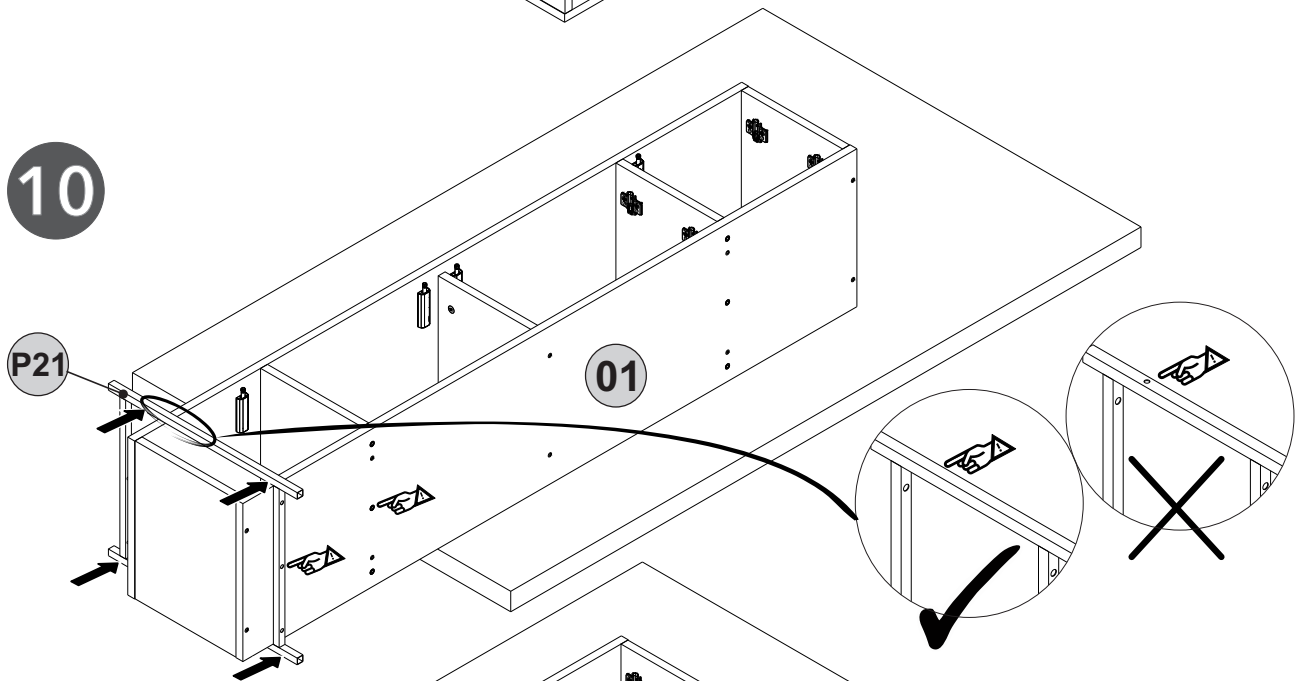
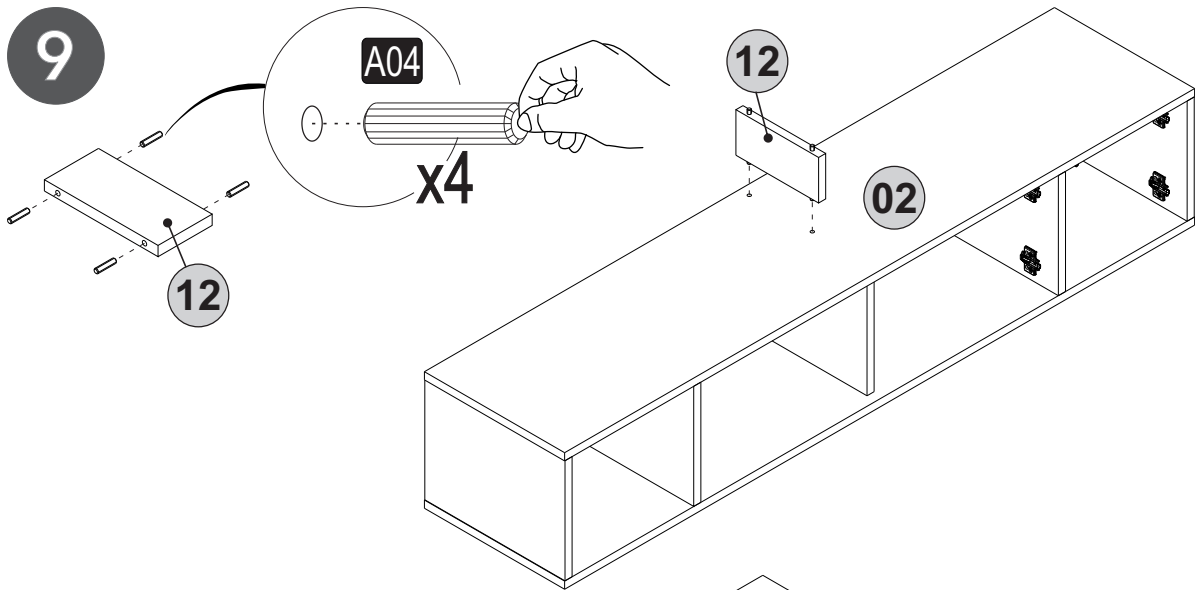


7

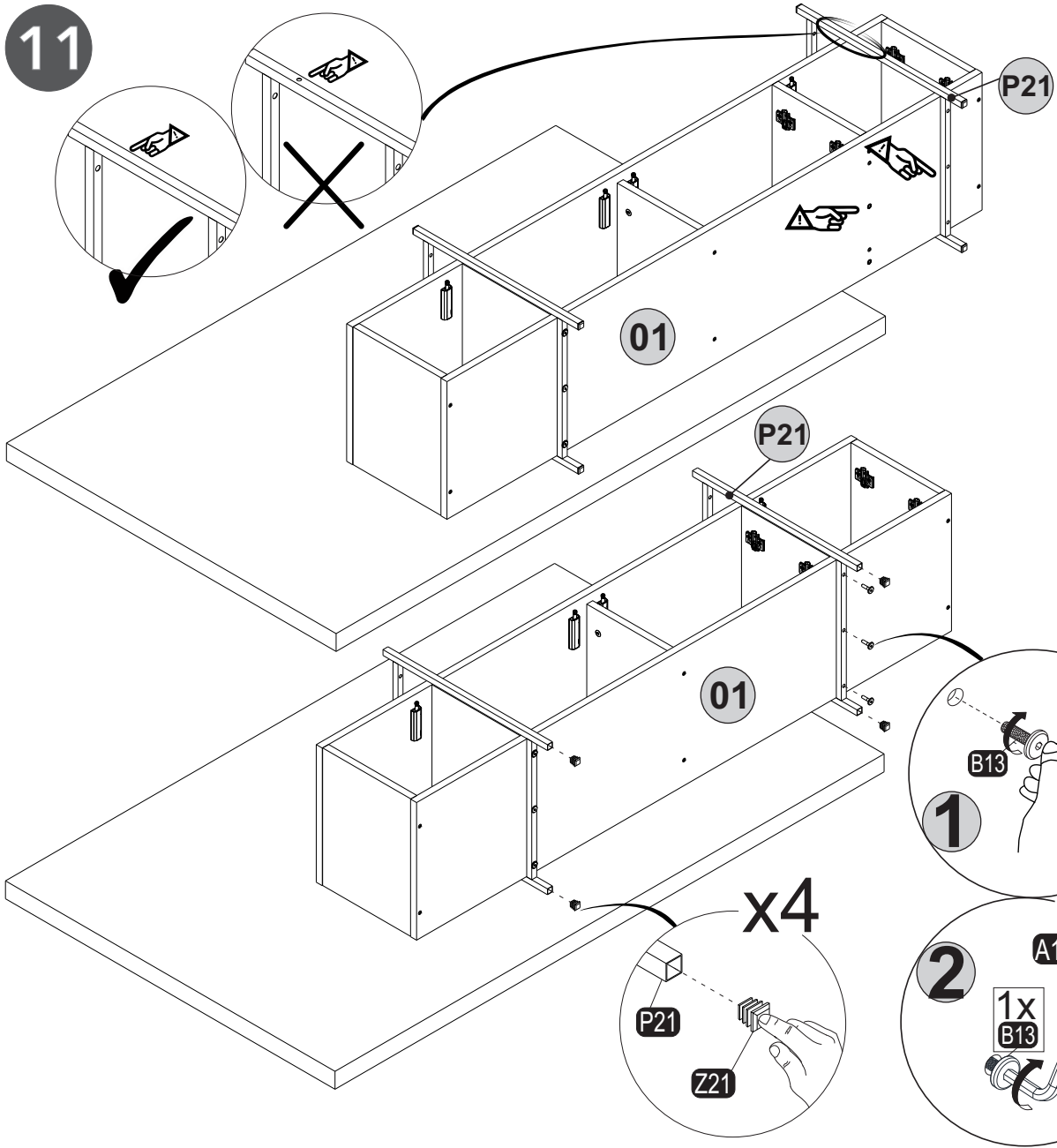


8

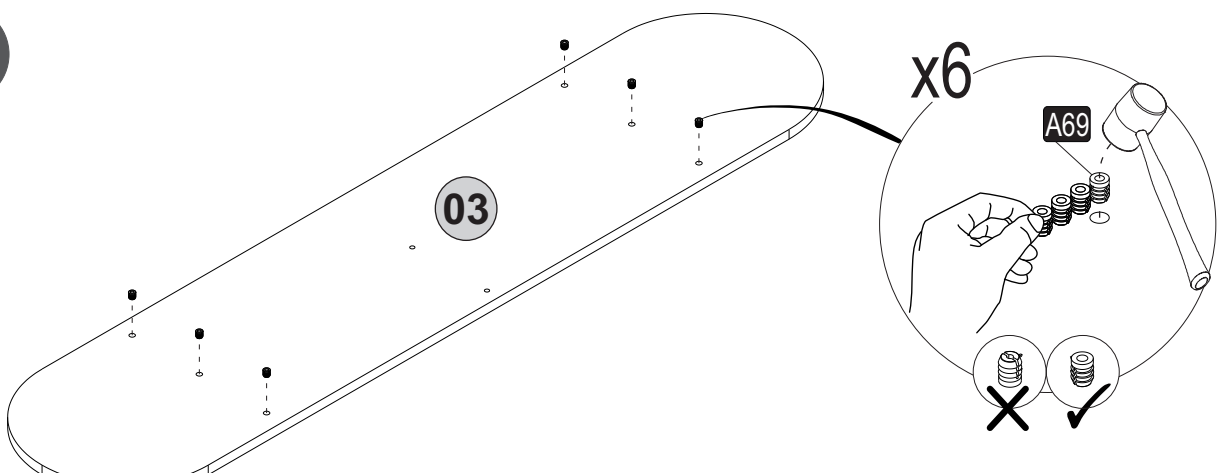




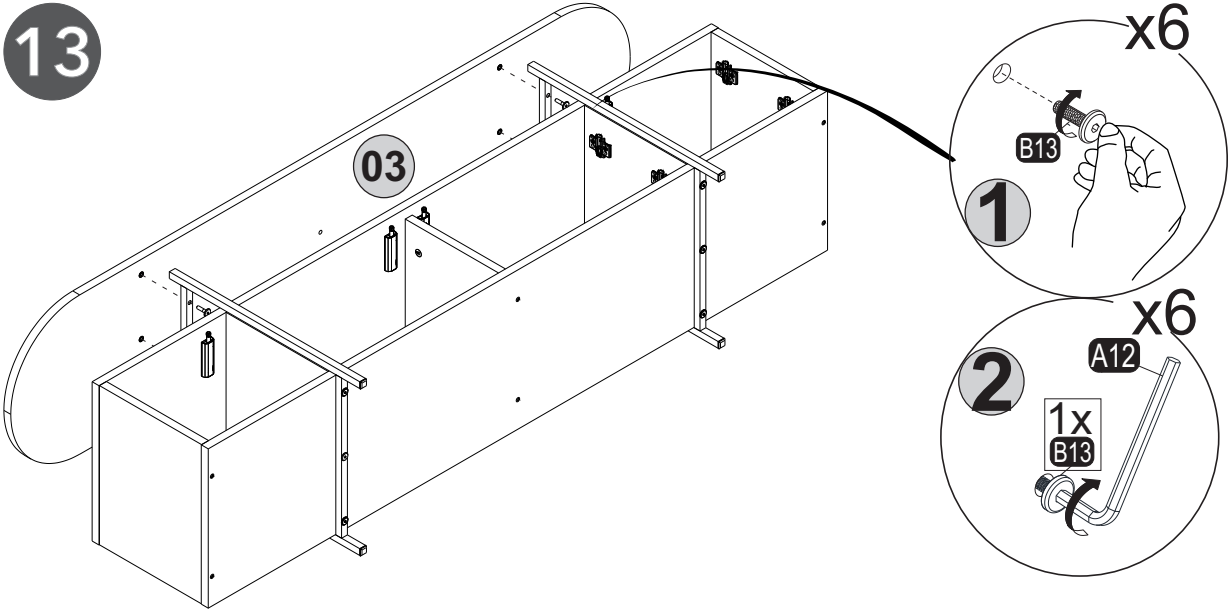
11



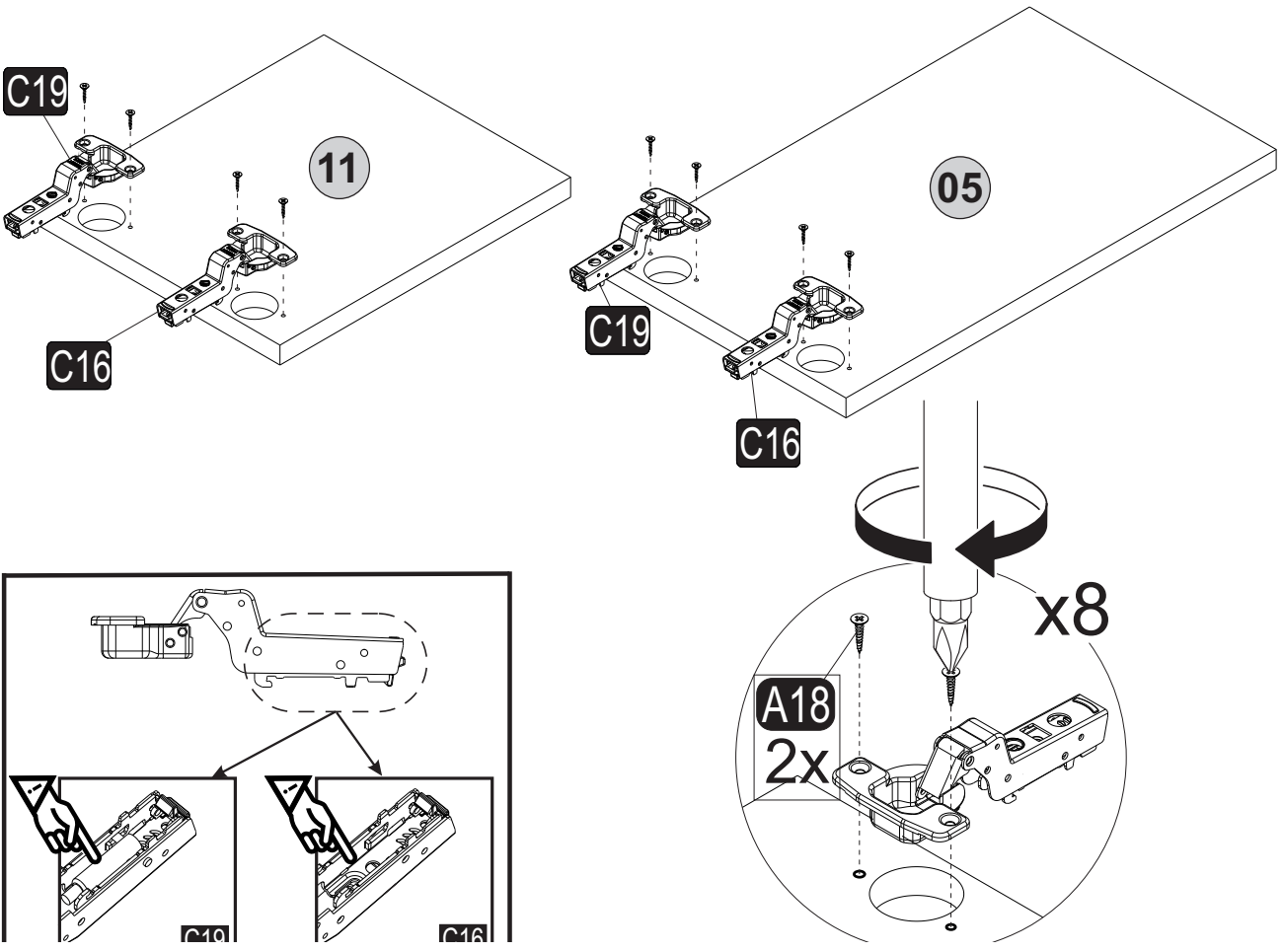
12



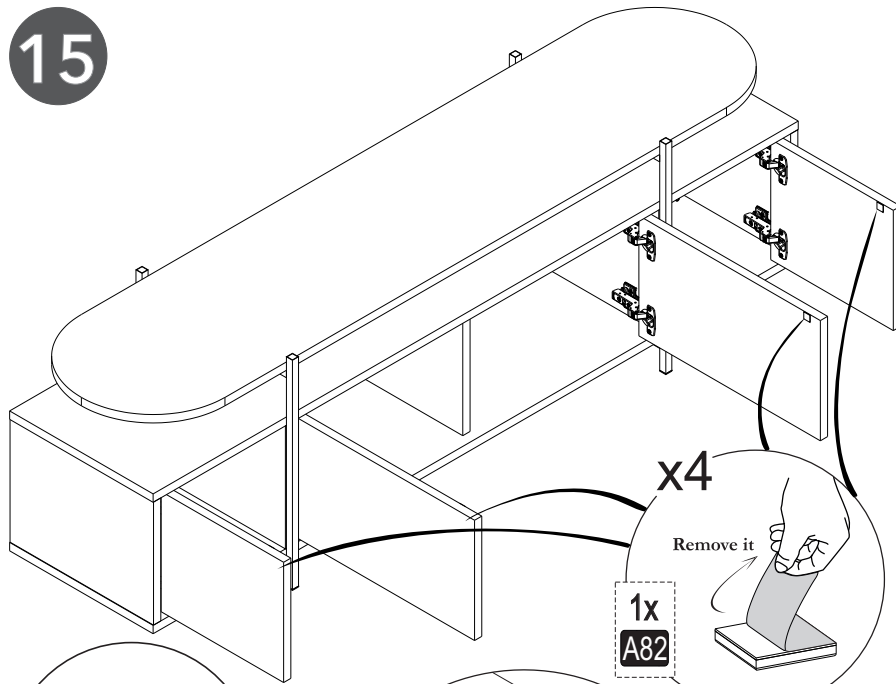
13



14 x2

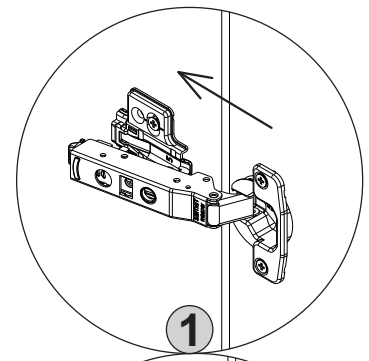


15

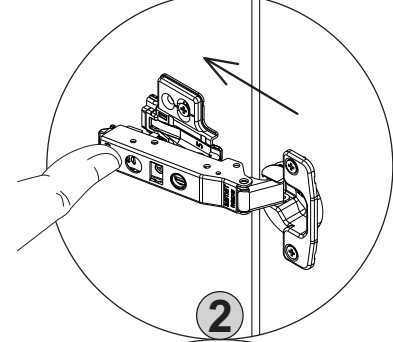


x4
Remove it

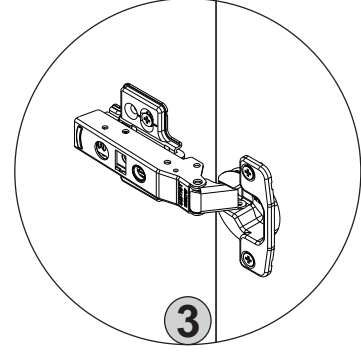
1x
A82



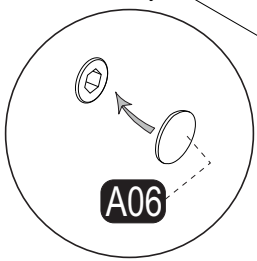
1



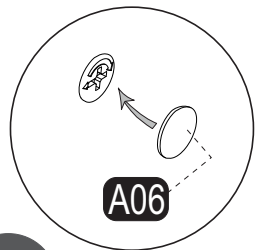
2



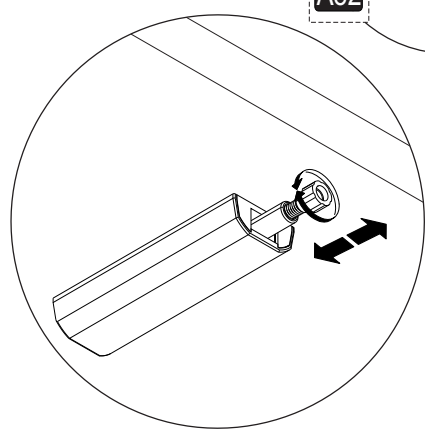
3



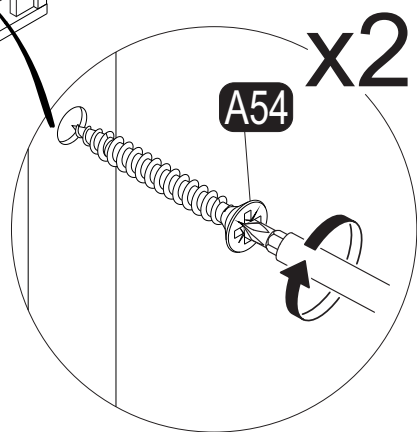
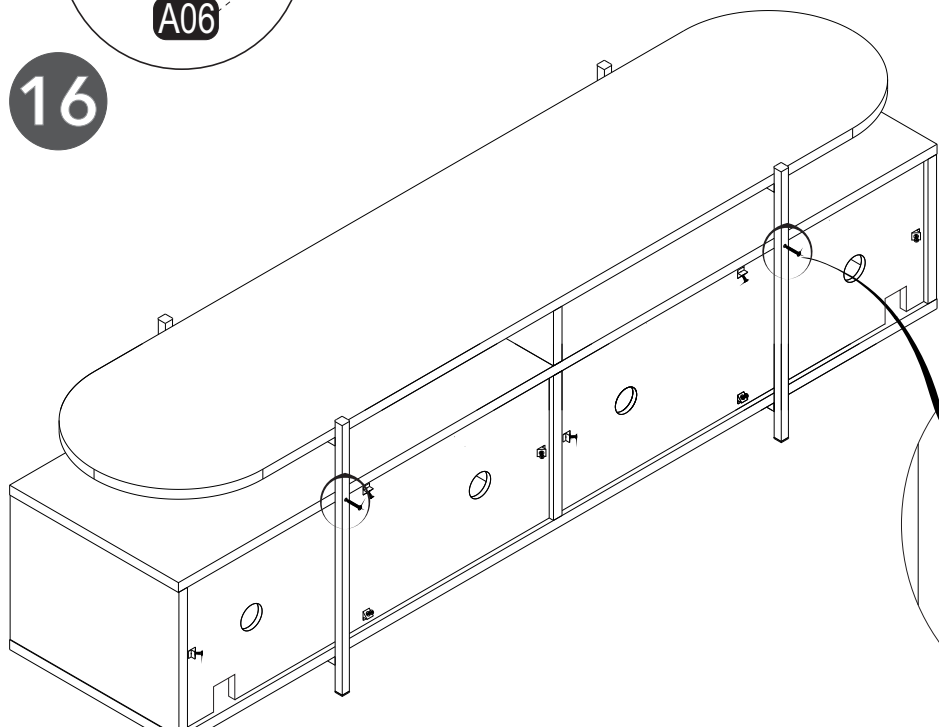
A06



A06



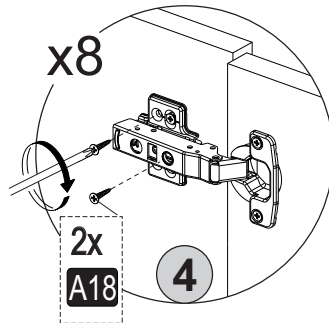
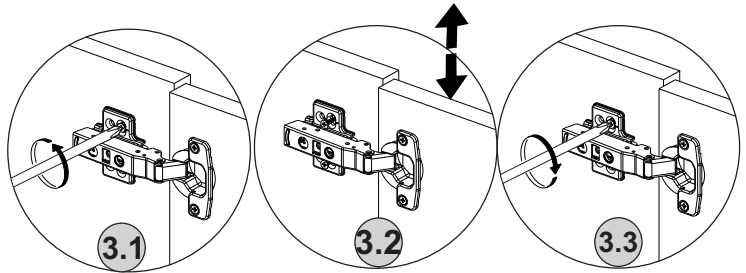
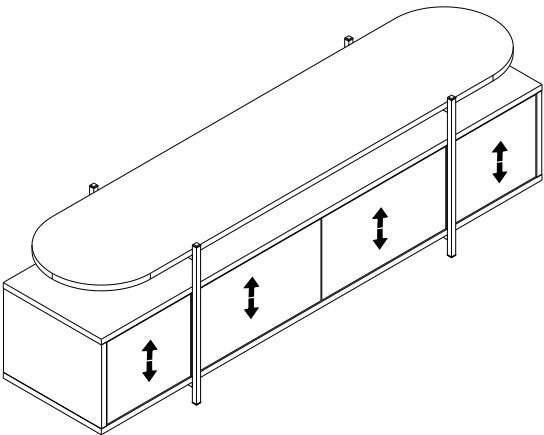
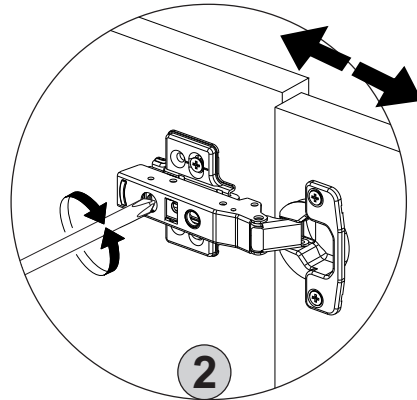
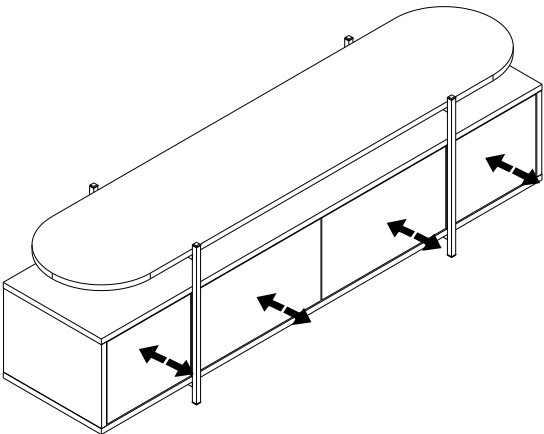
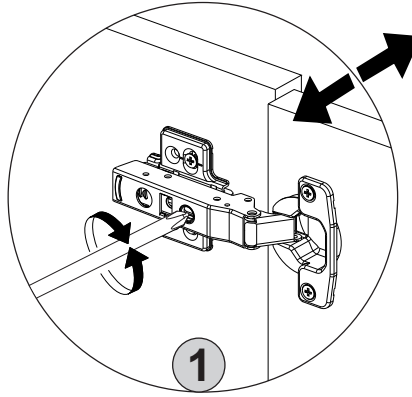
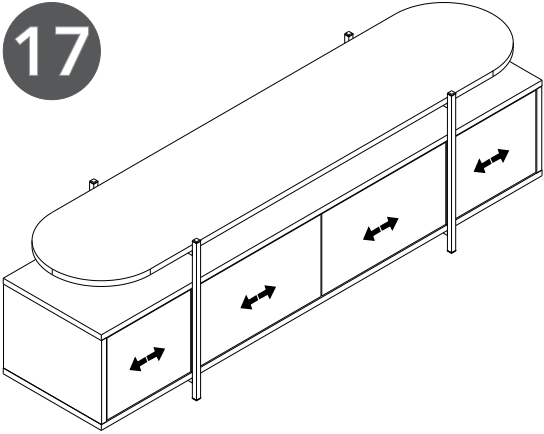
16



A54

x2

17



18

