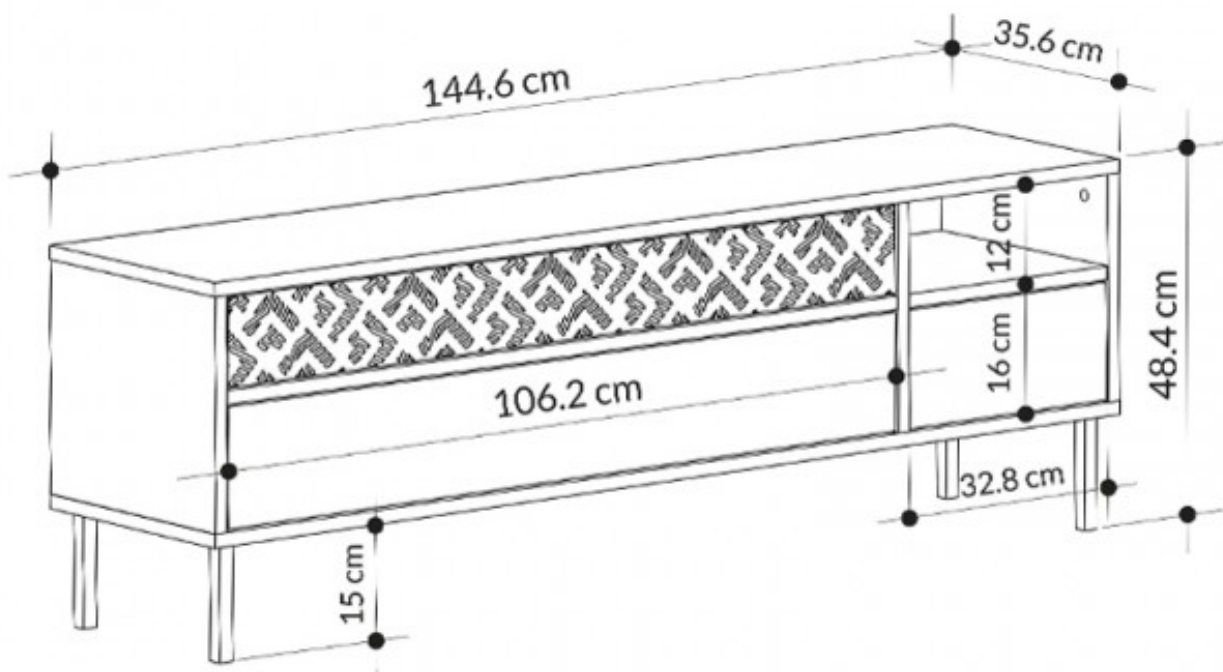

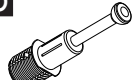




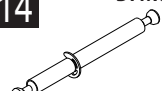

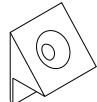



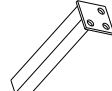
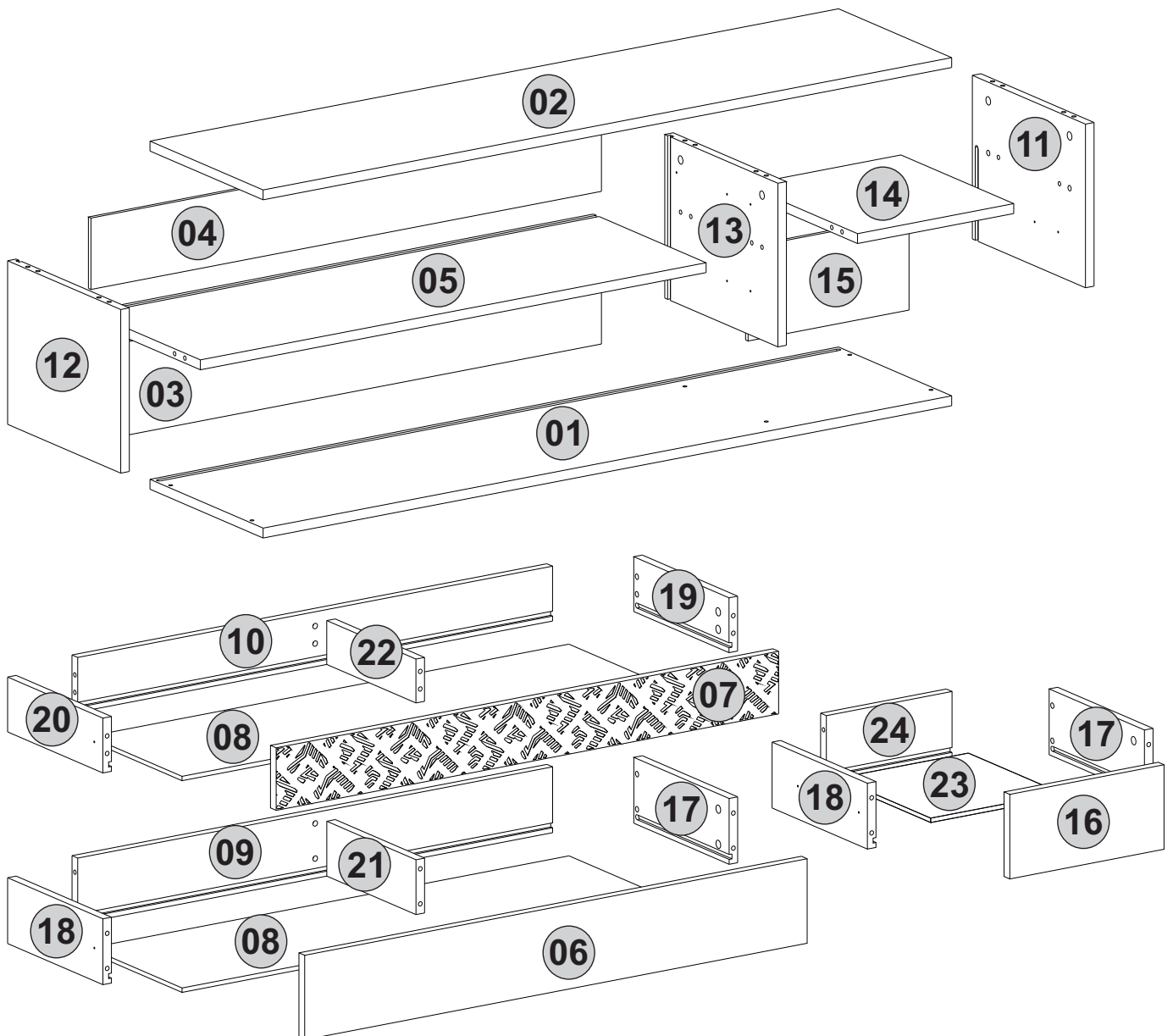


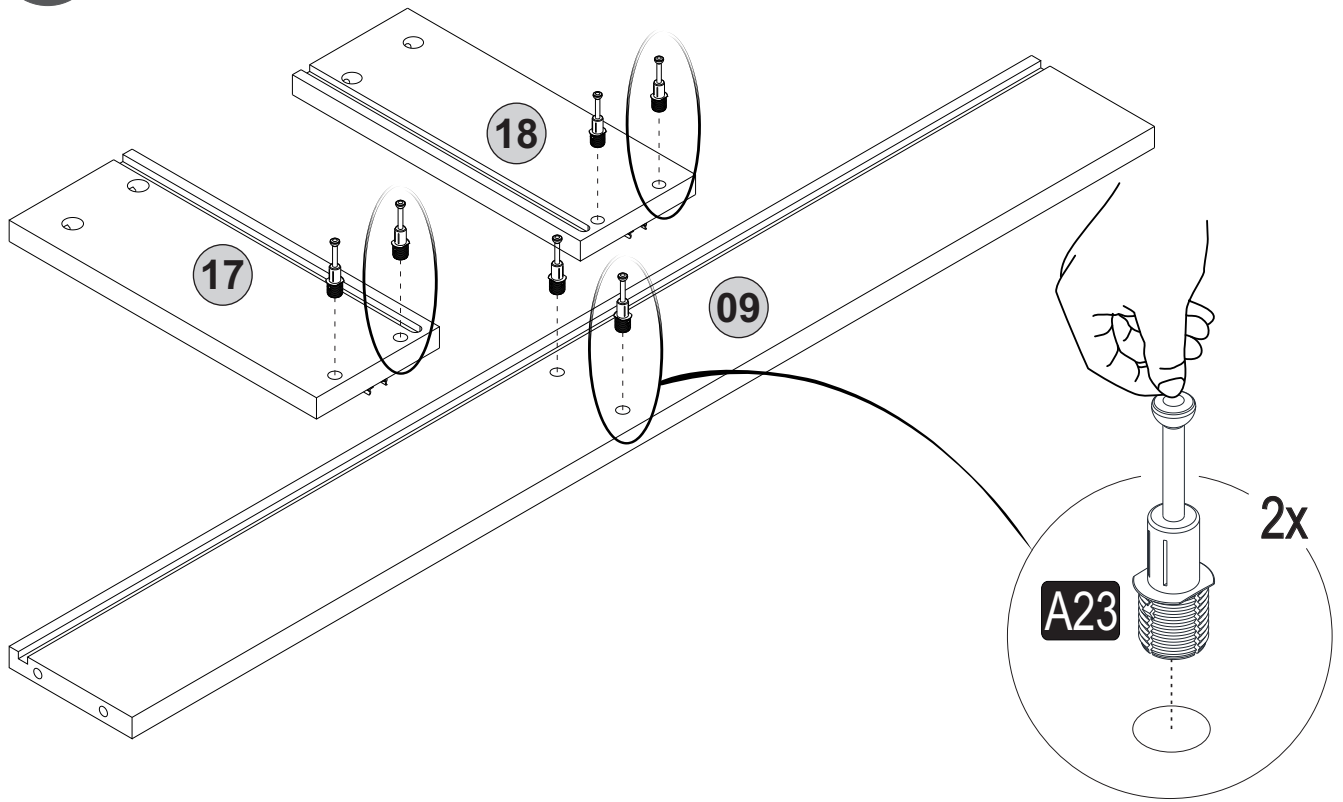
**i** GP037-0087,1



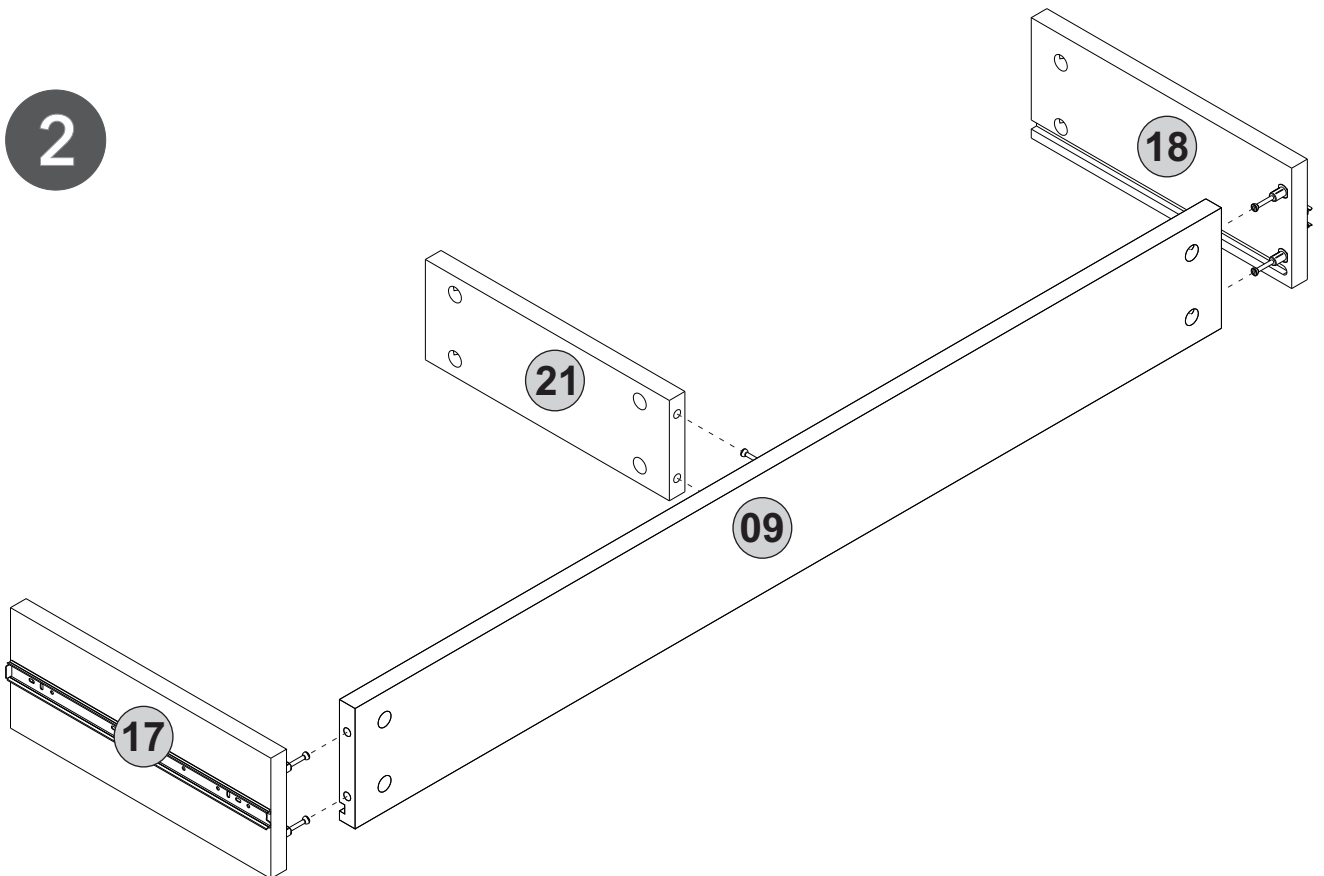
<b>A04</b> Ø8x30 10x 	<b>A23</b> Minifix M10 42x 	<b>A22</b> Minifix k18 42x 	<b>A12</b> Allen 1x 	<b>A06</b> 18mm C1-52x 
<b>A41</b> Ø8x55 2x 	<b>A14</b> DFM6-86 2x 	<b>A18</b> 3,5x18 32x 	<b>A25</b> ARK.PL 32x 	<b>A13</b> 50mm 6x 
<b>B15</b> 15 (black)mm 15x 	<b>A69</b> P.D. 15x 	<b>Z74</b> A.M.A.S 5x 		



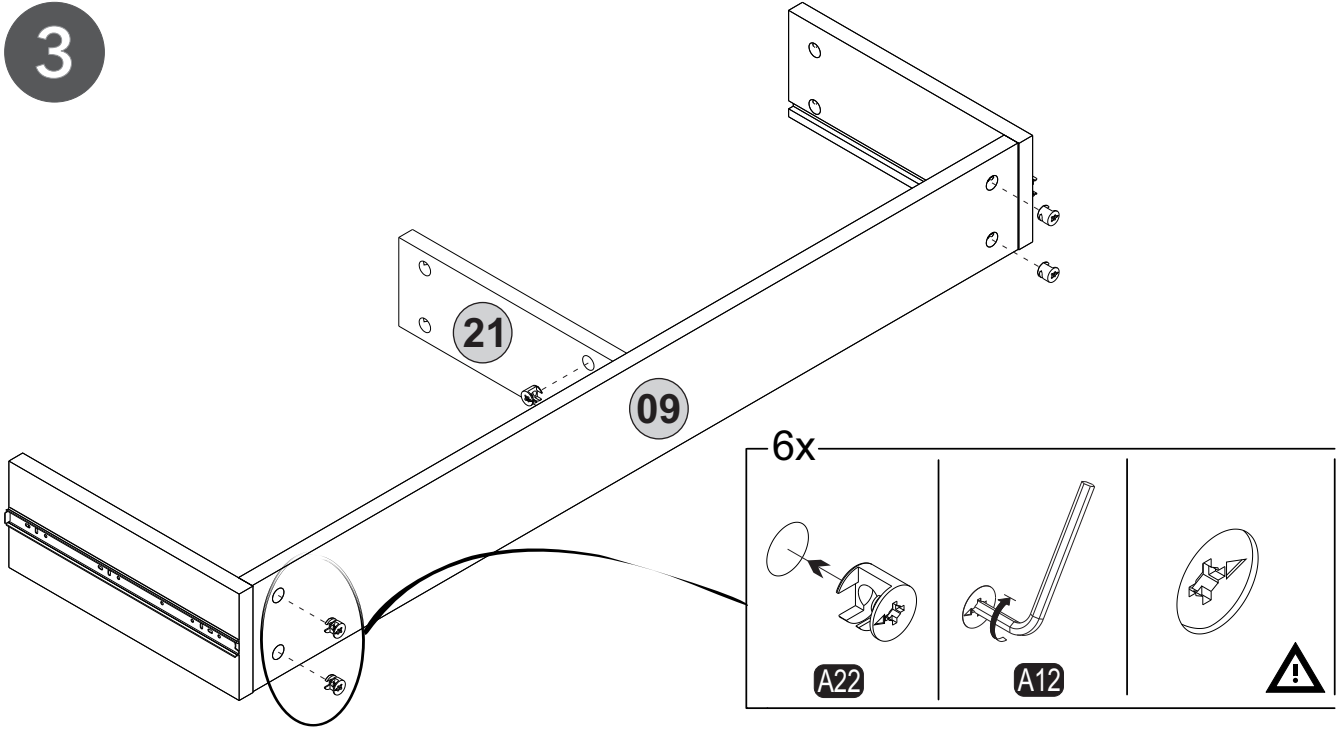
1



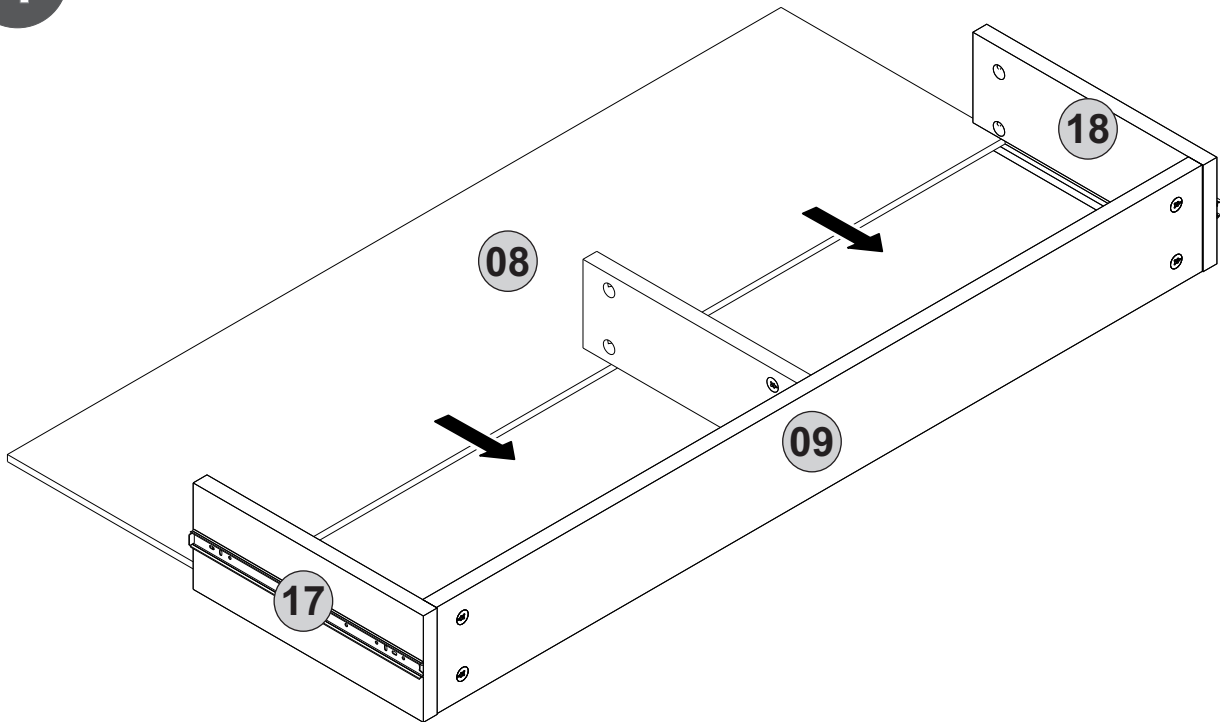
2



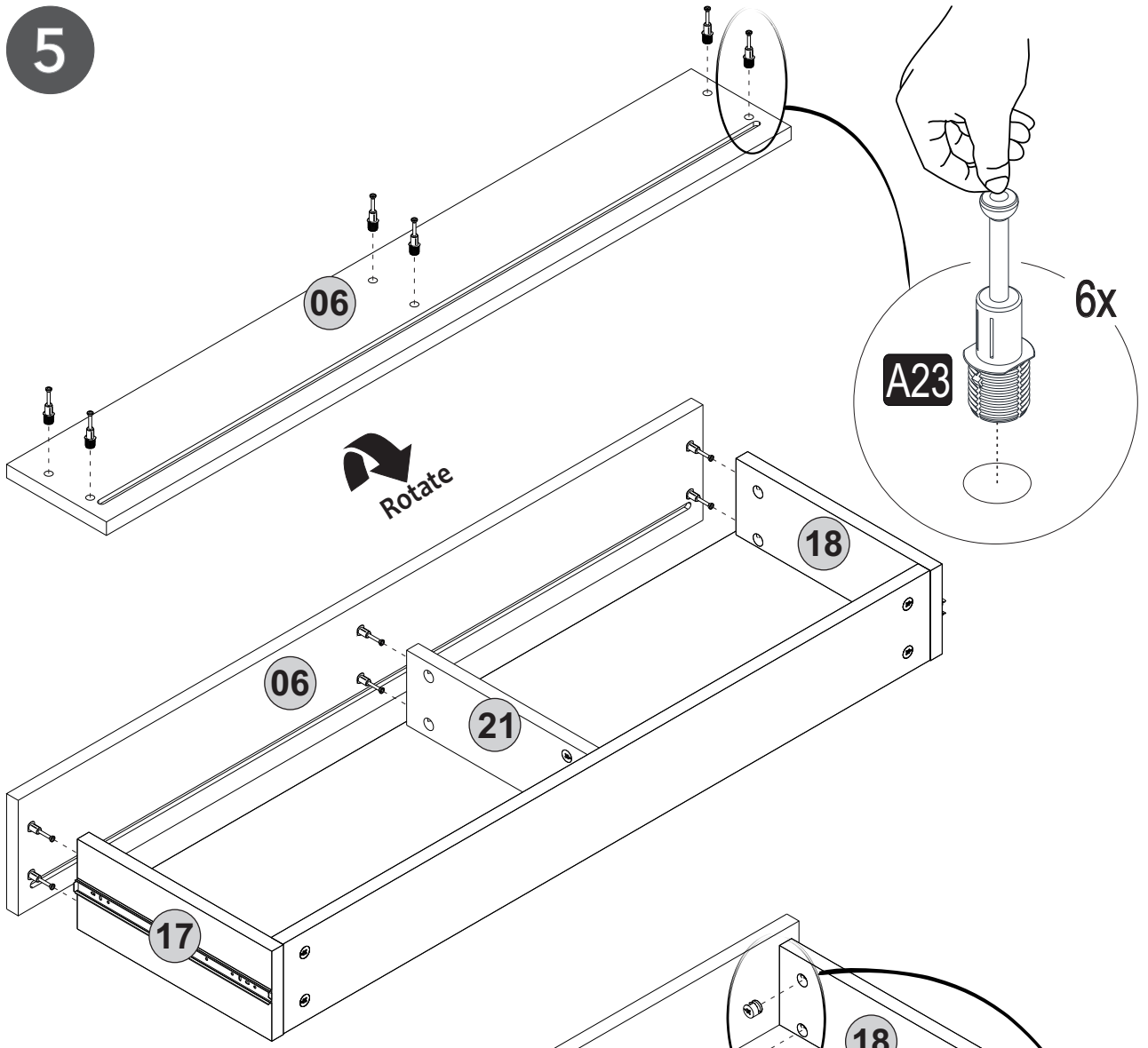
3



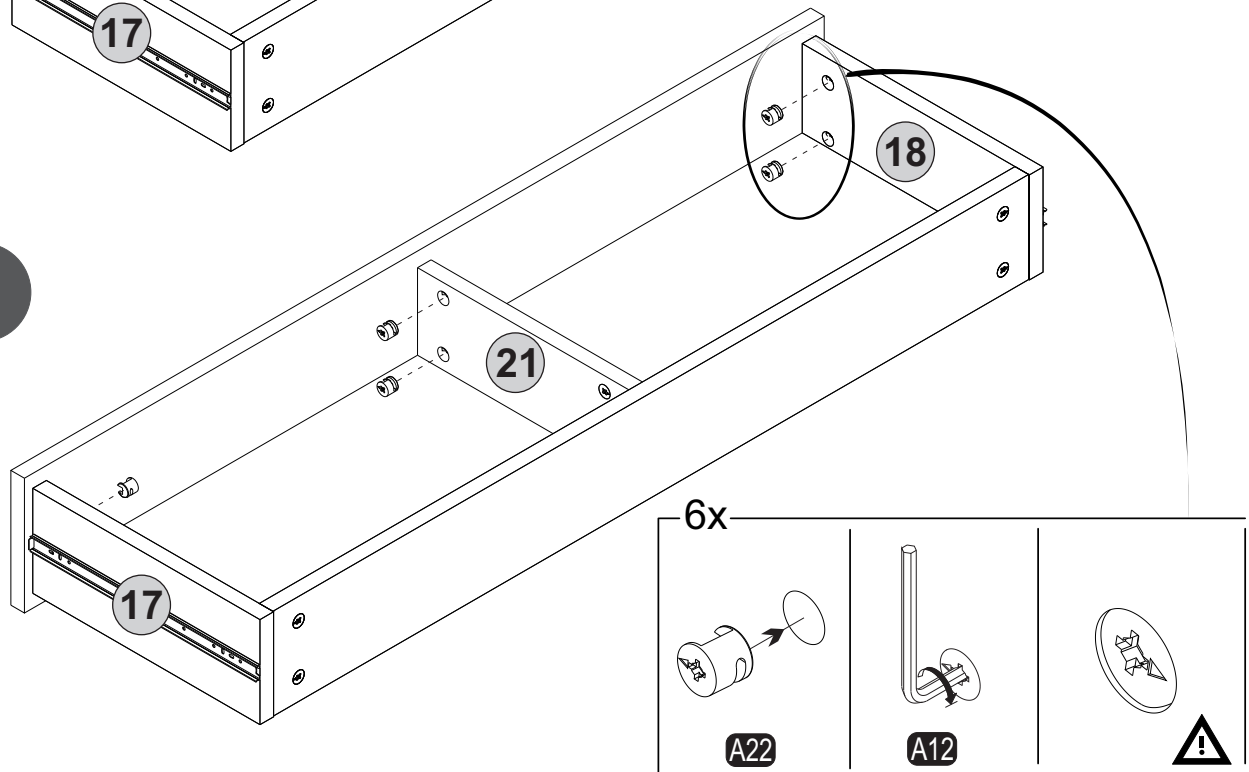
4



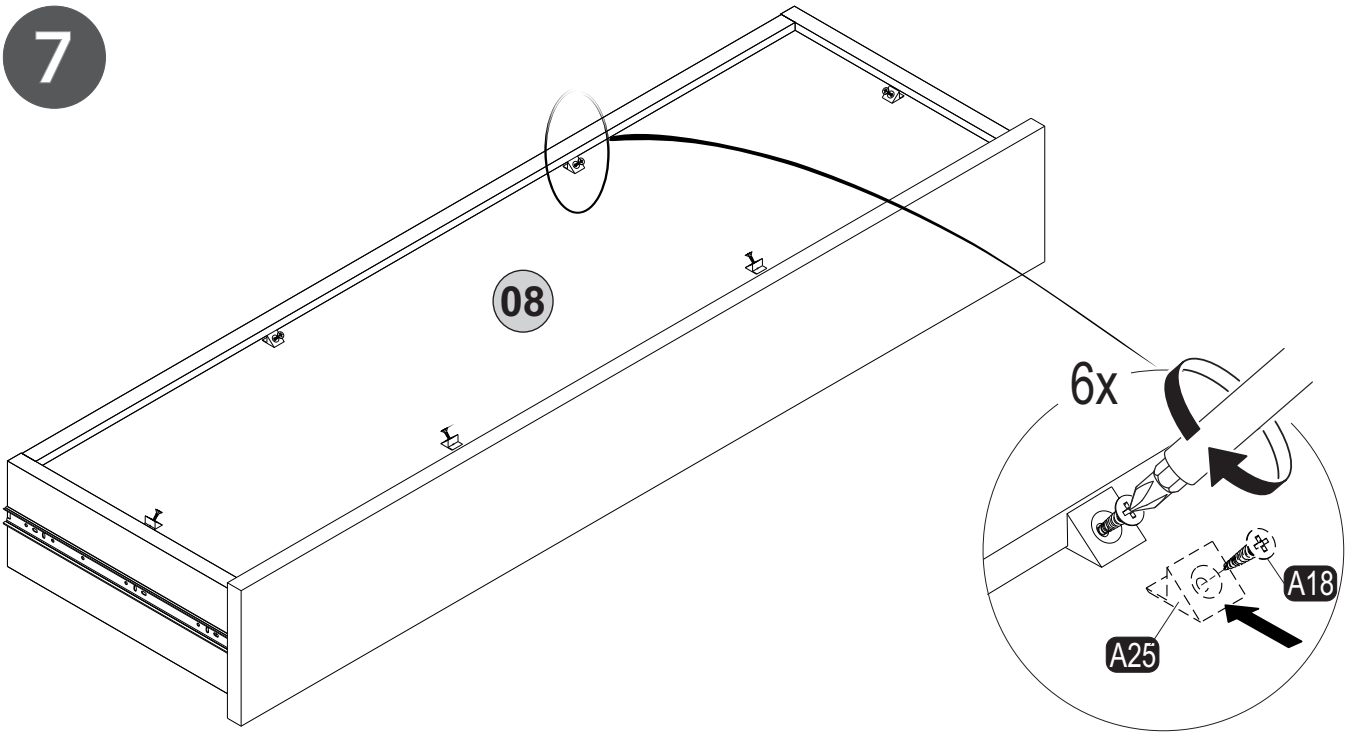
5



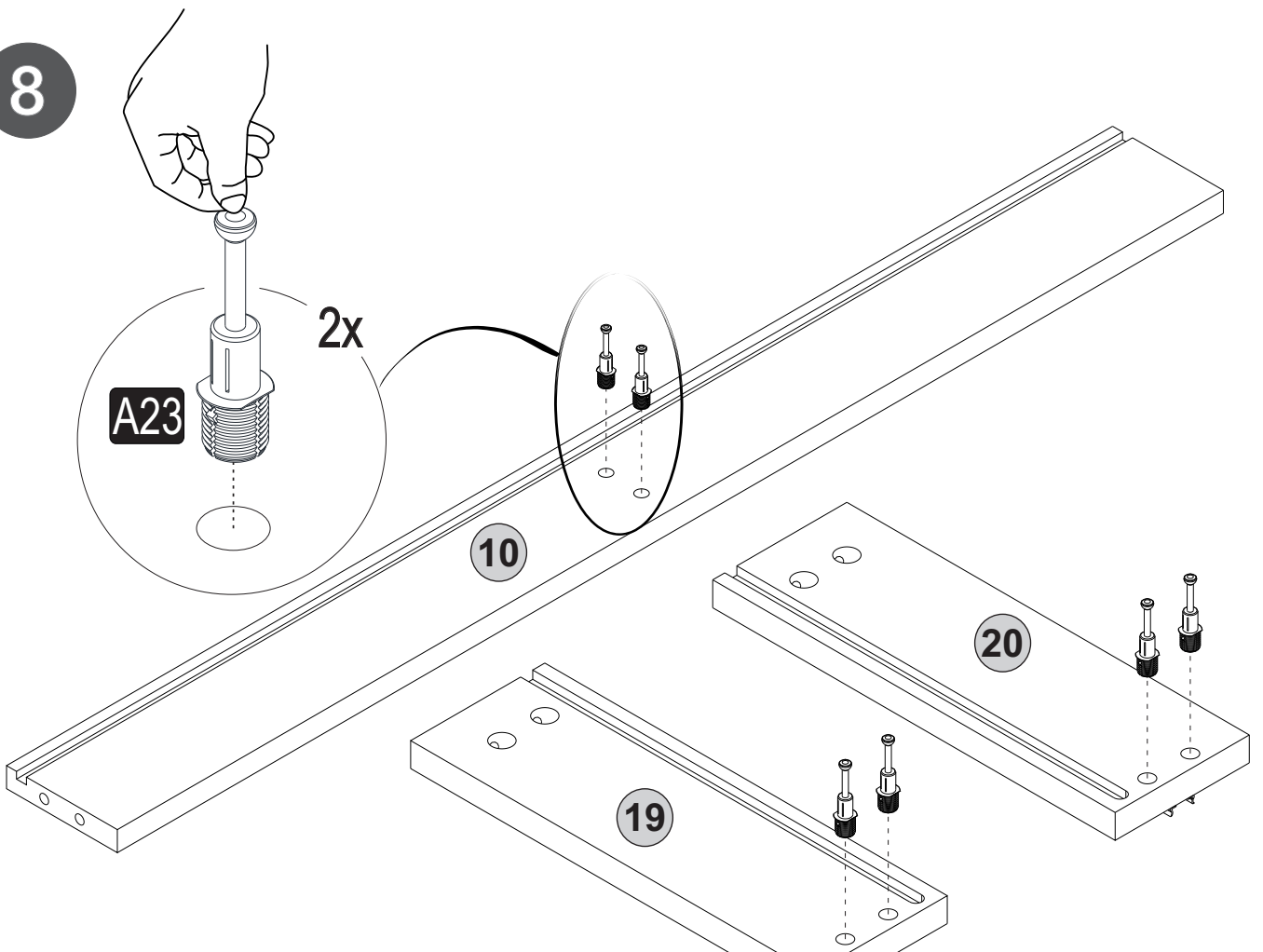
6



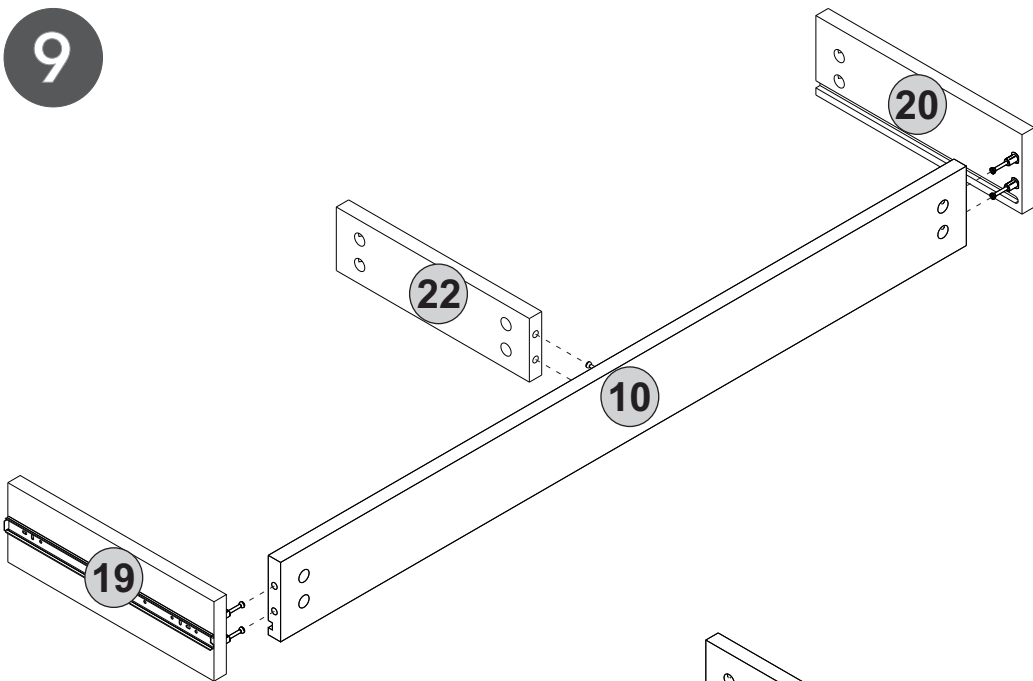
7



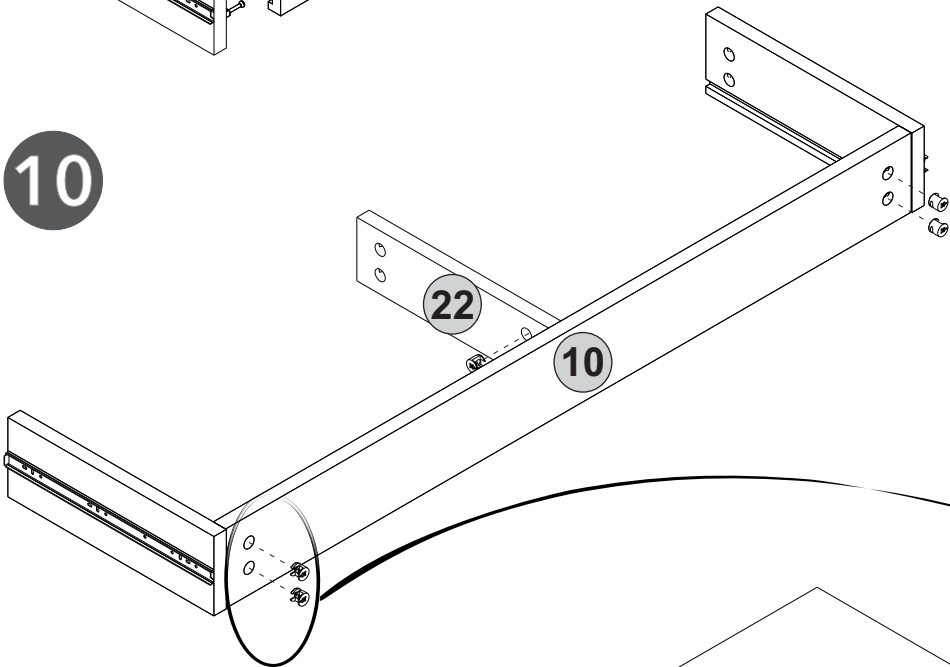
8



9



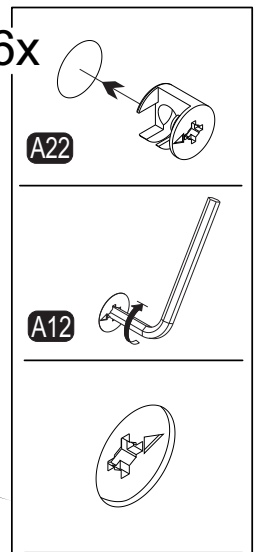
10



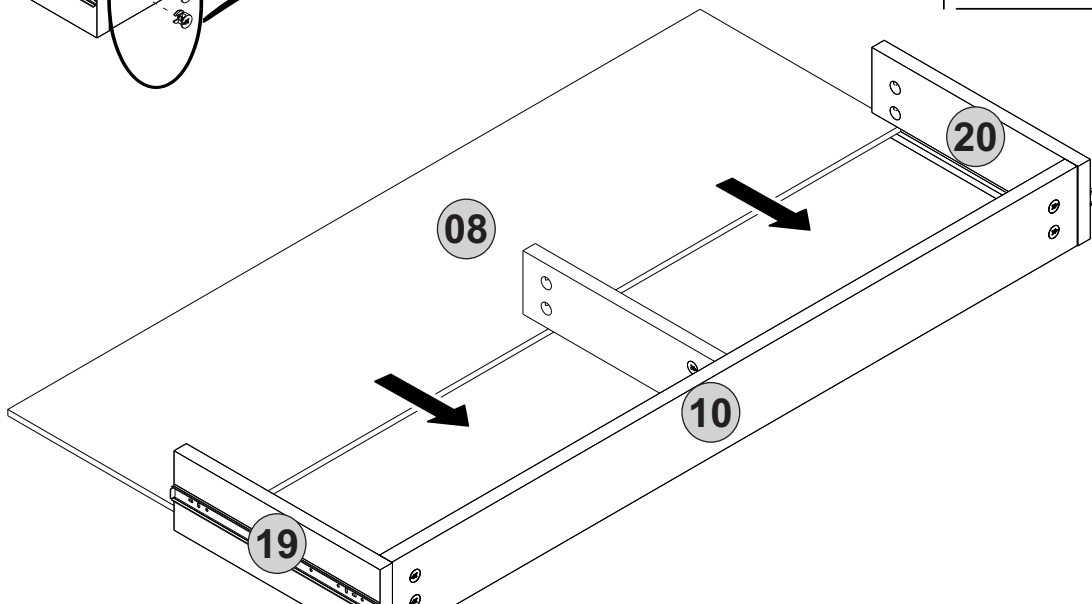
6x

A22

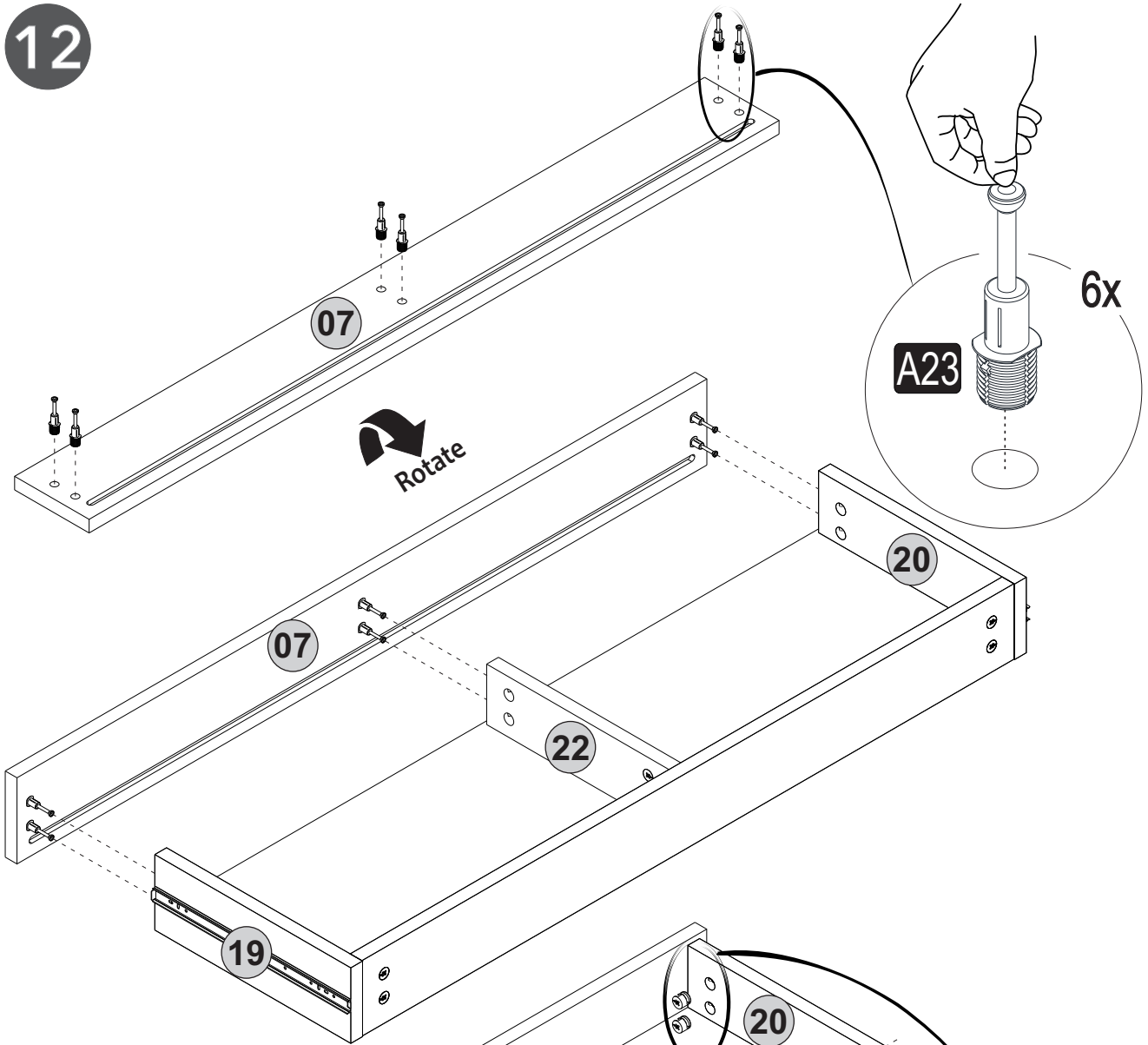
A12



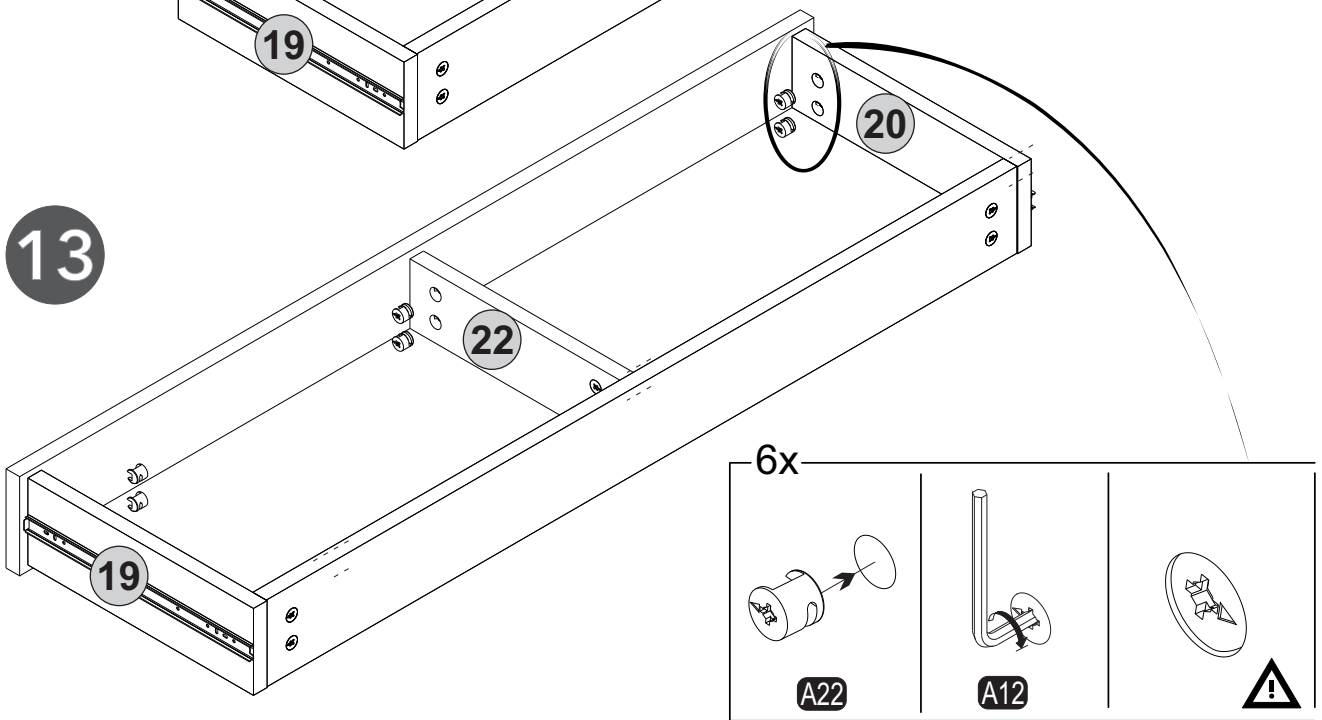
11



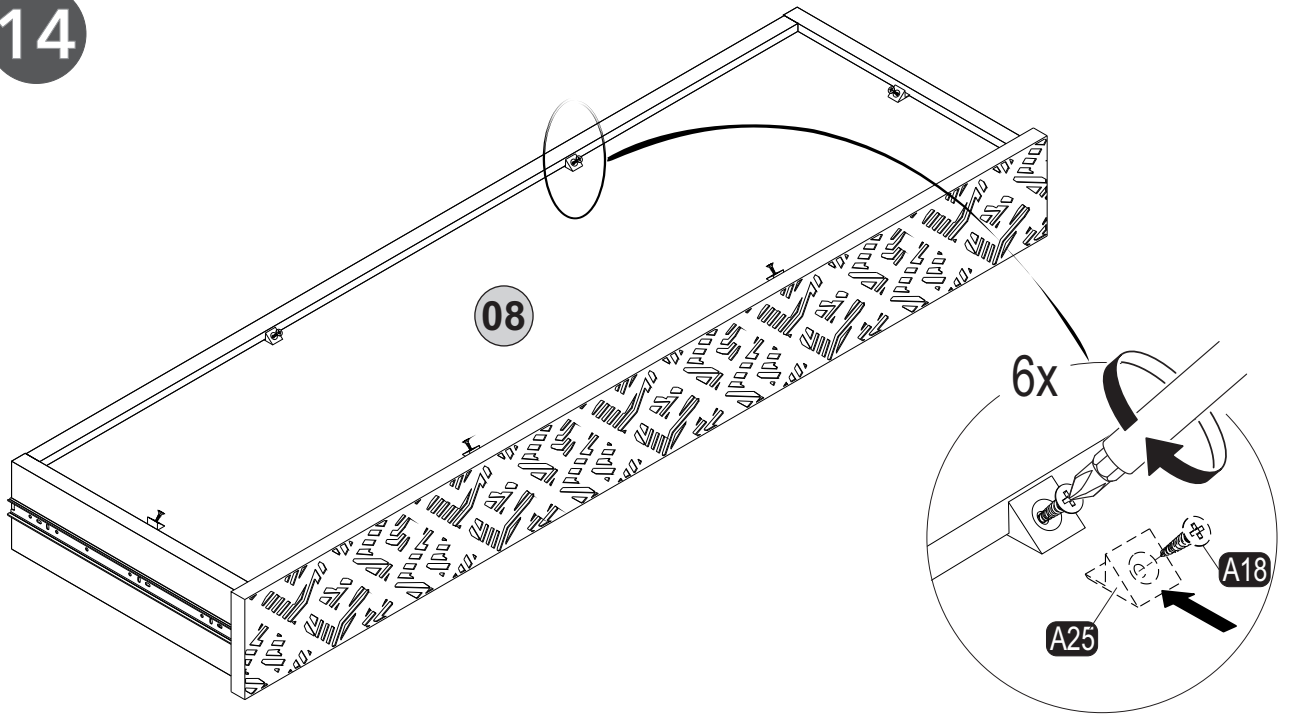
12



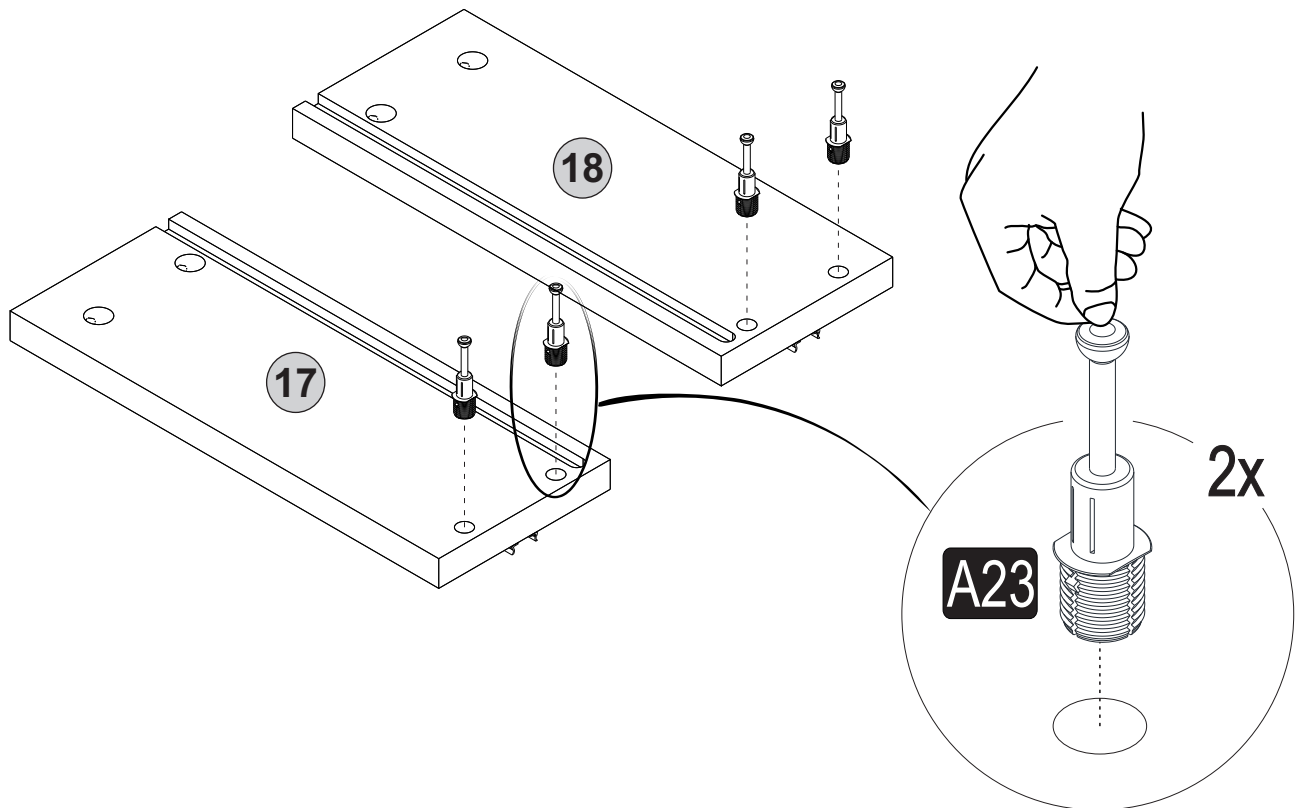
13



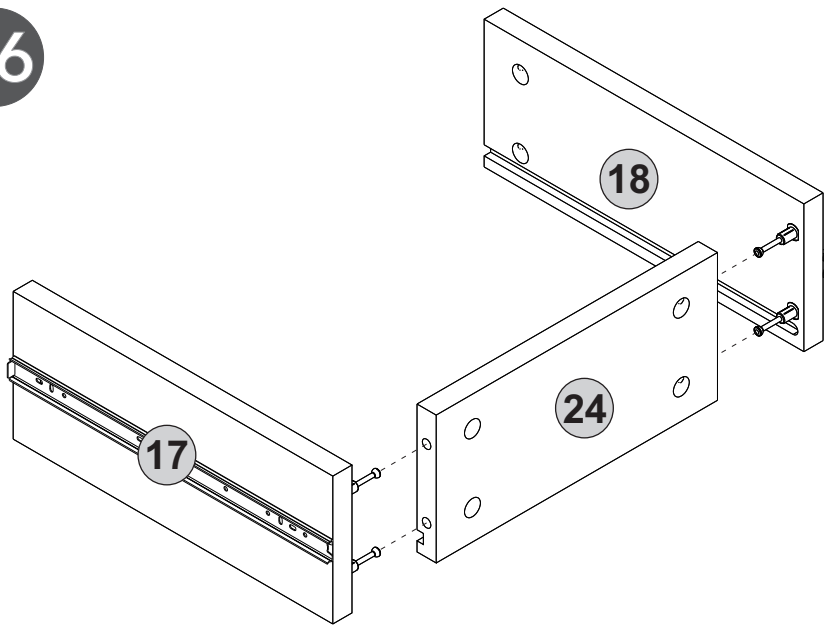
14



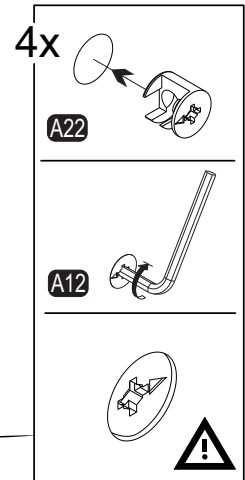
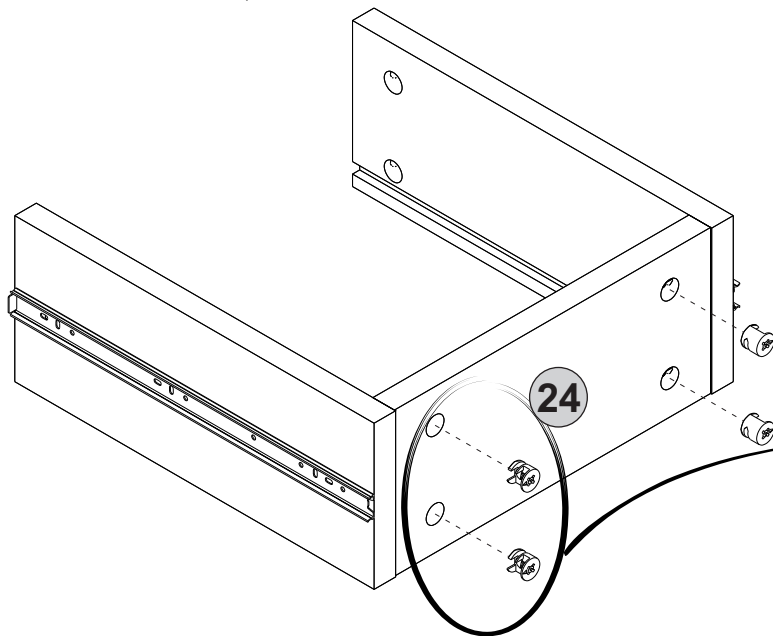
15



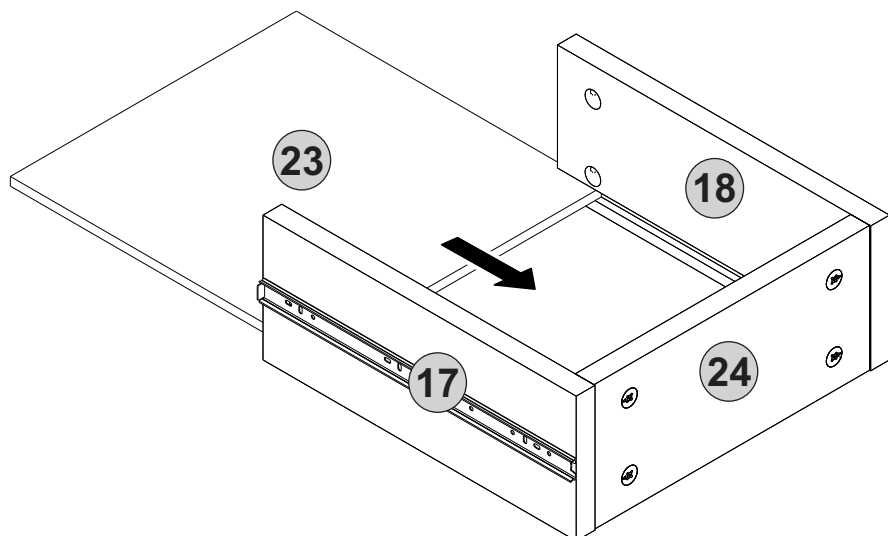
16



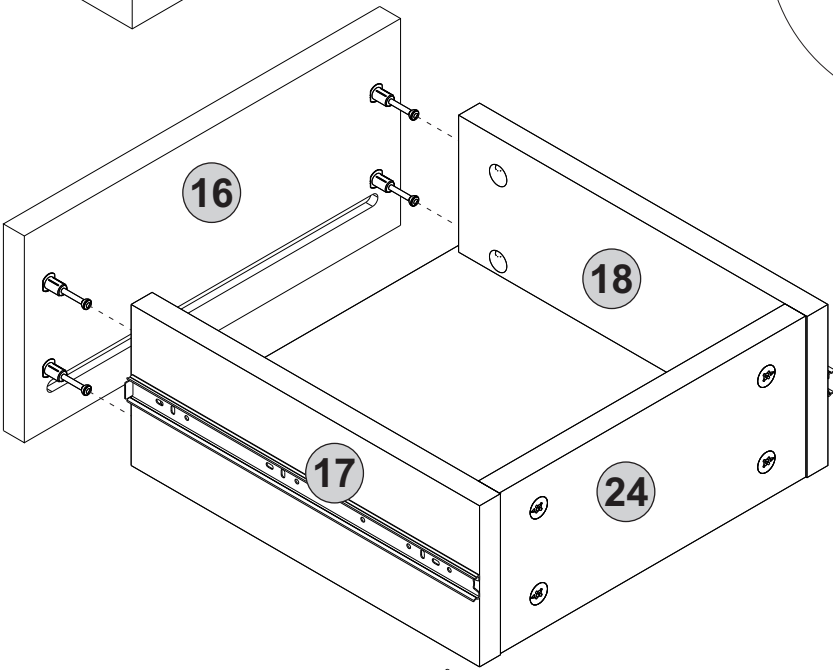
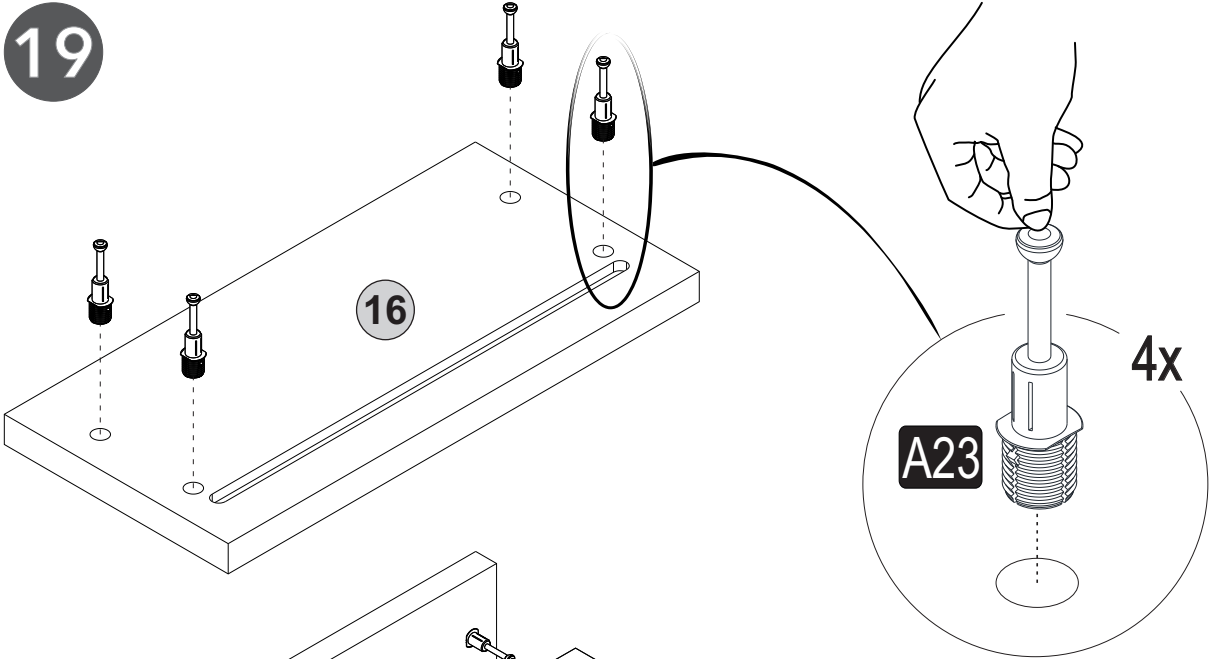
17



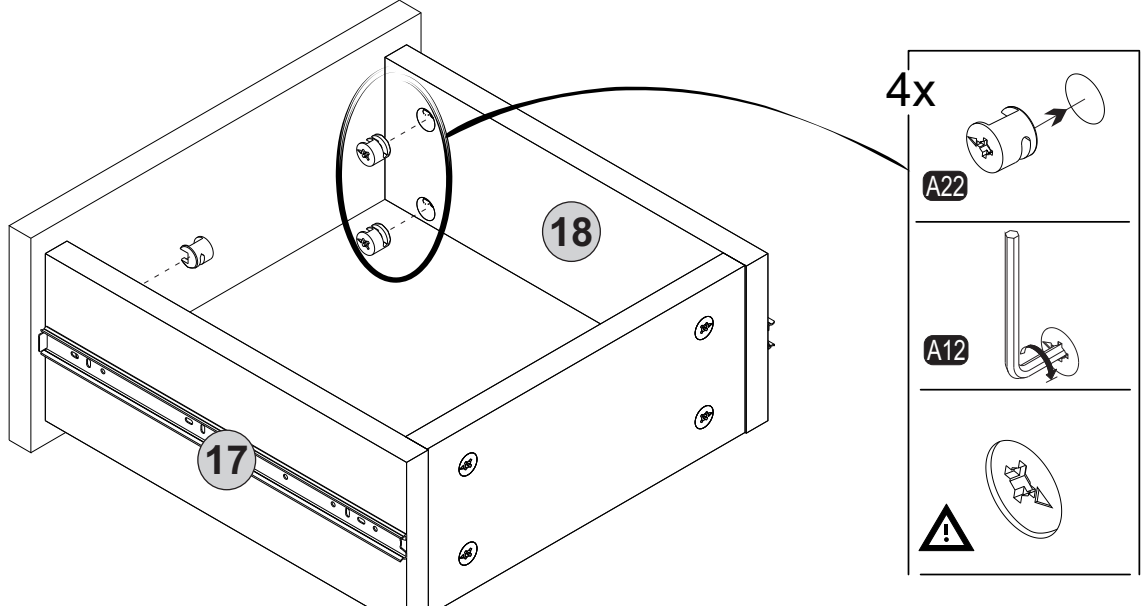
18



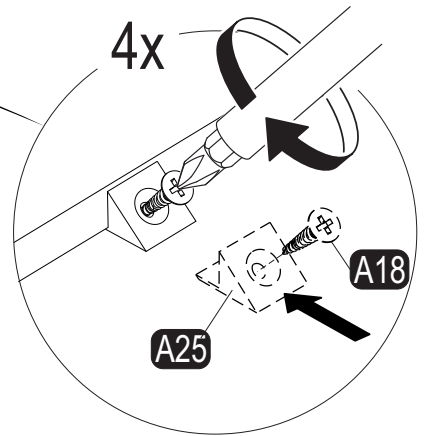
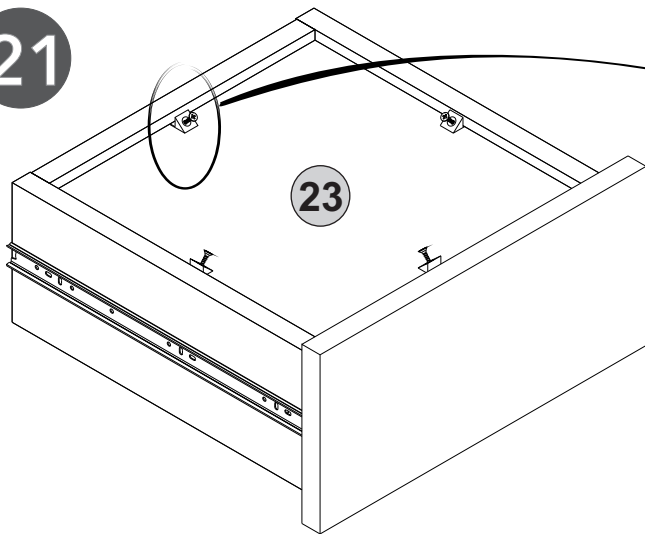
19



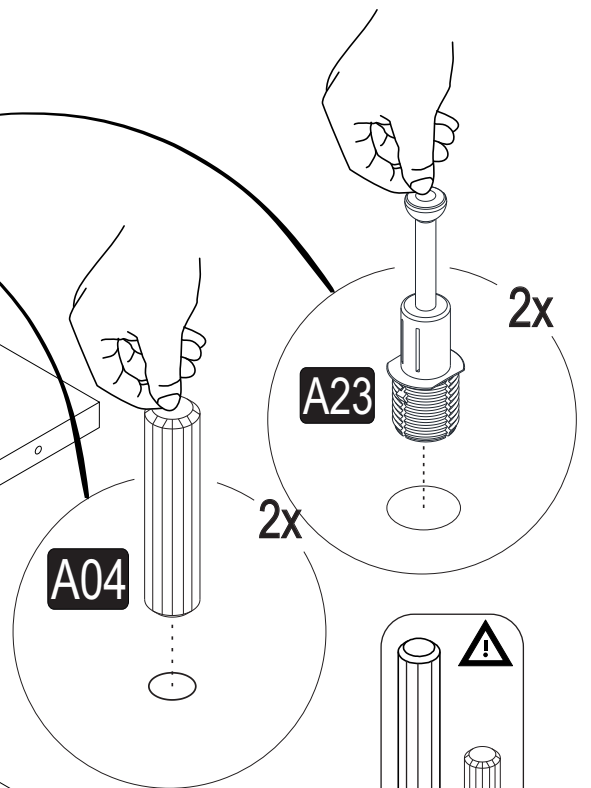
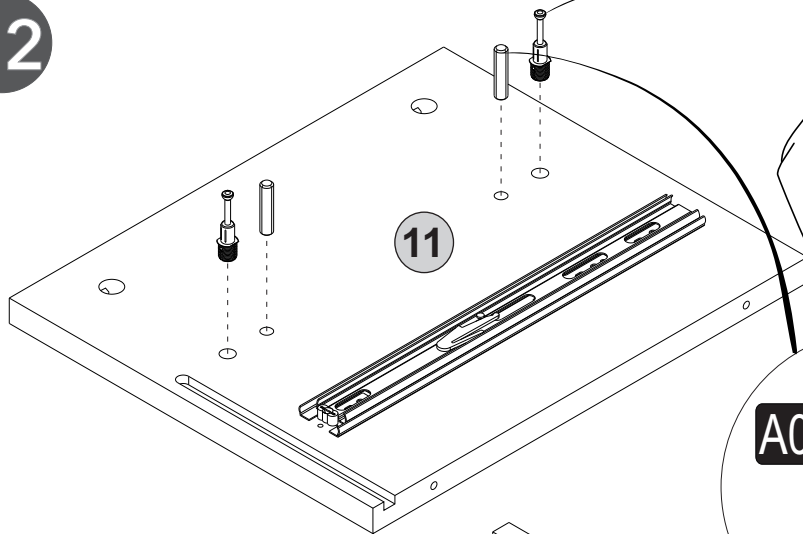
20



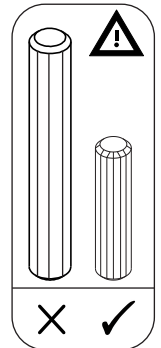
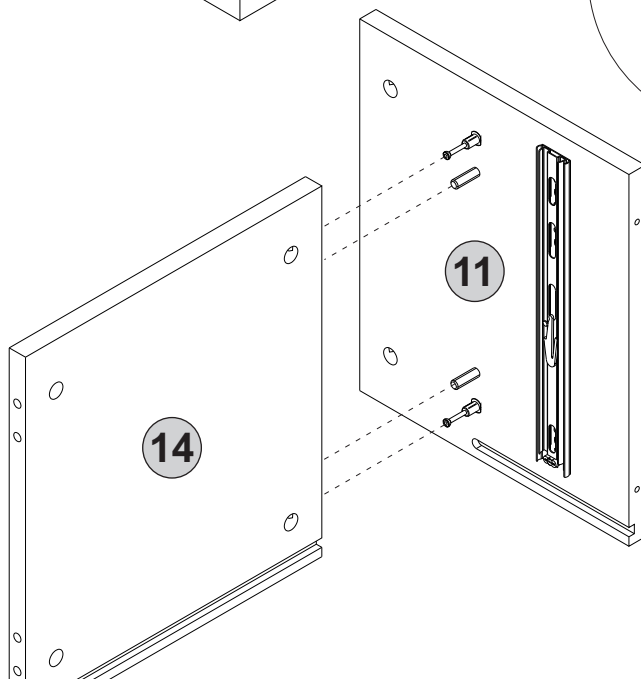
21



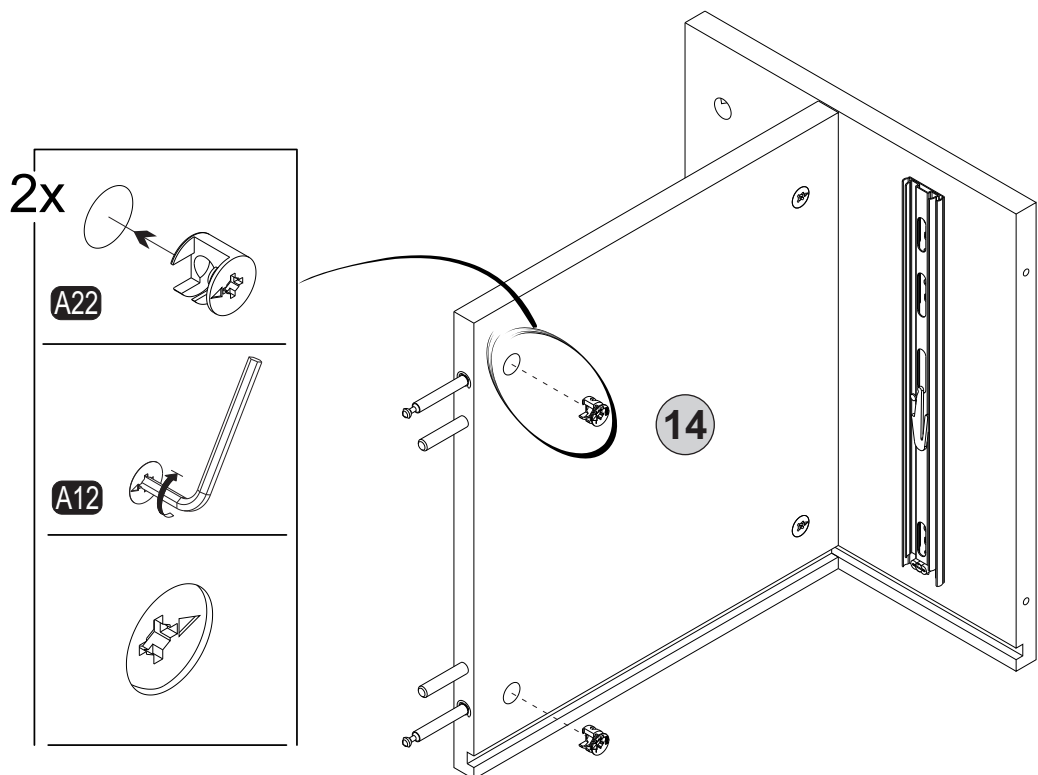
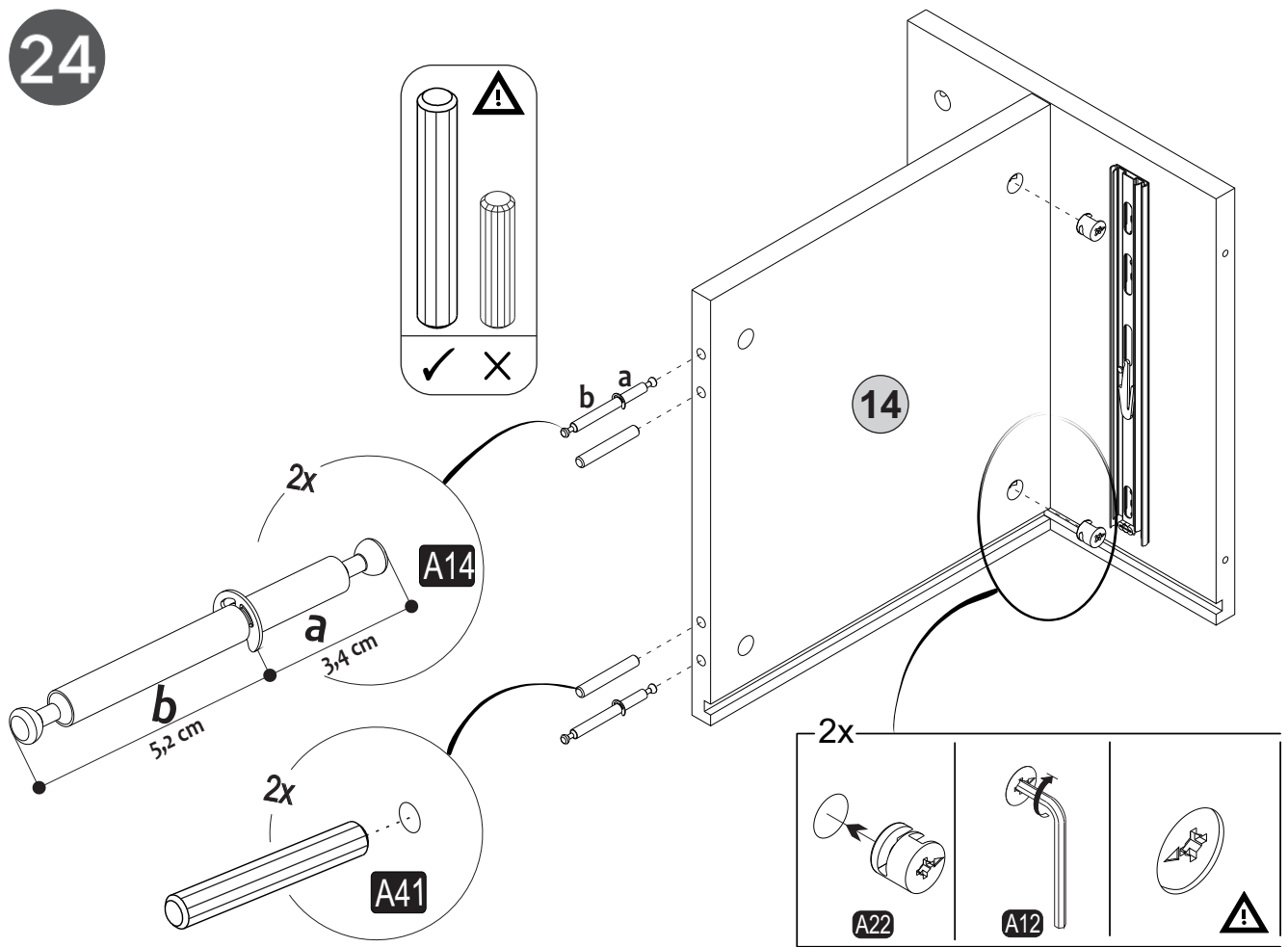
22



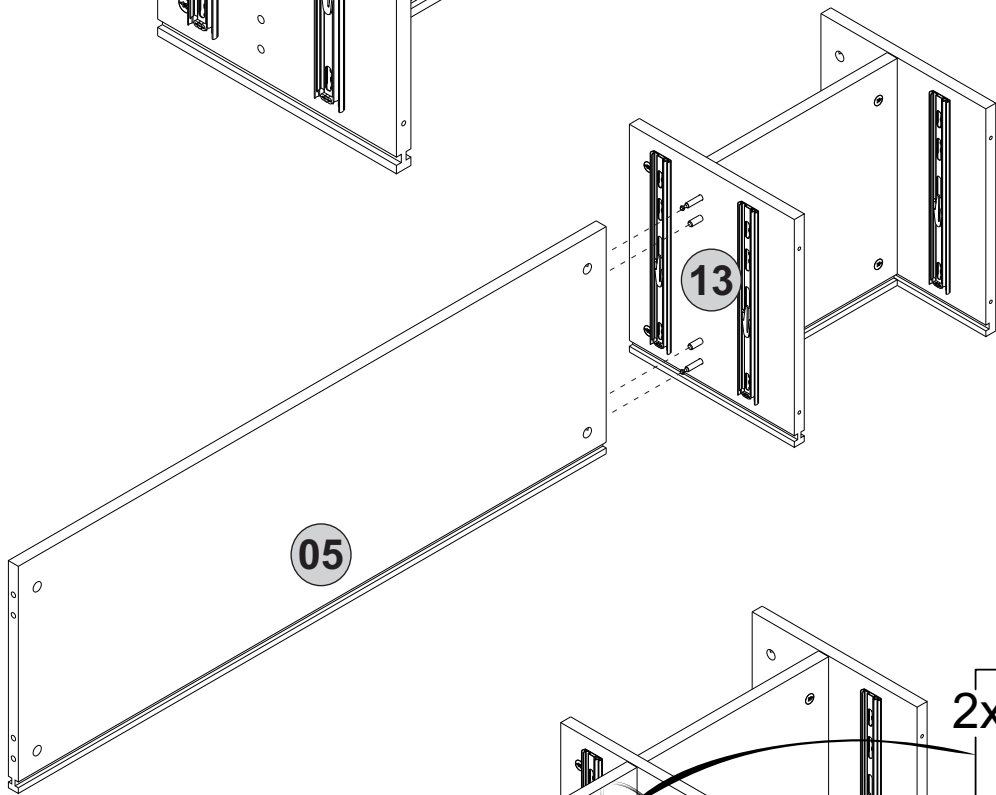
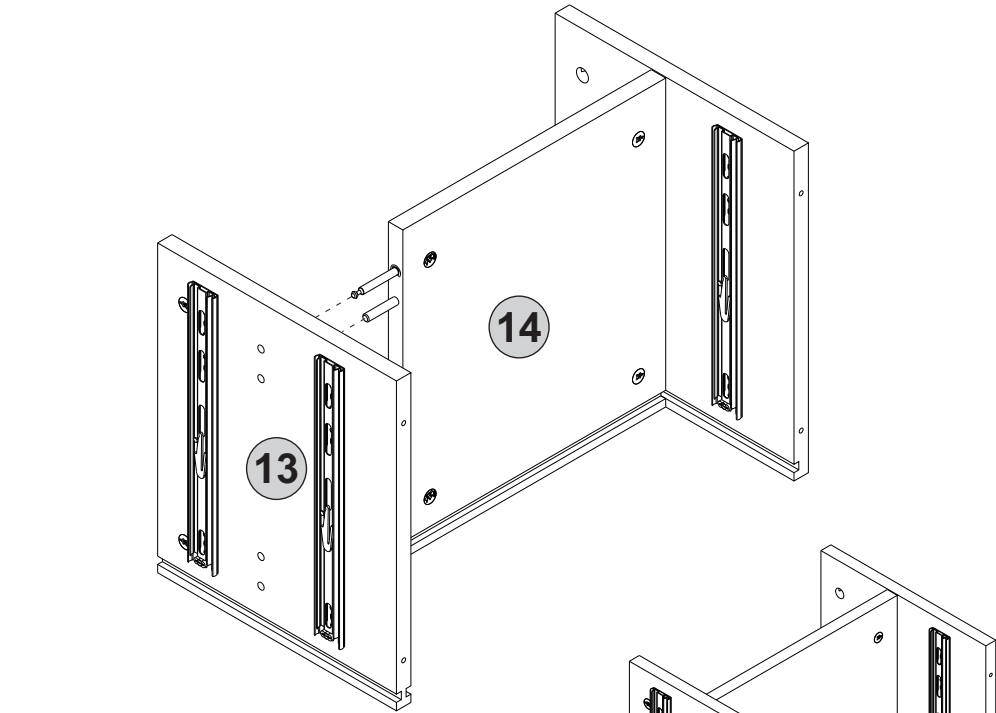
23



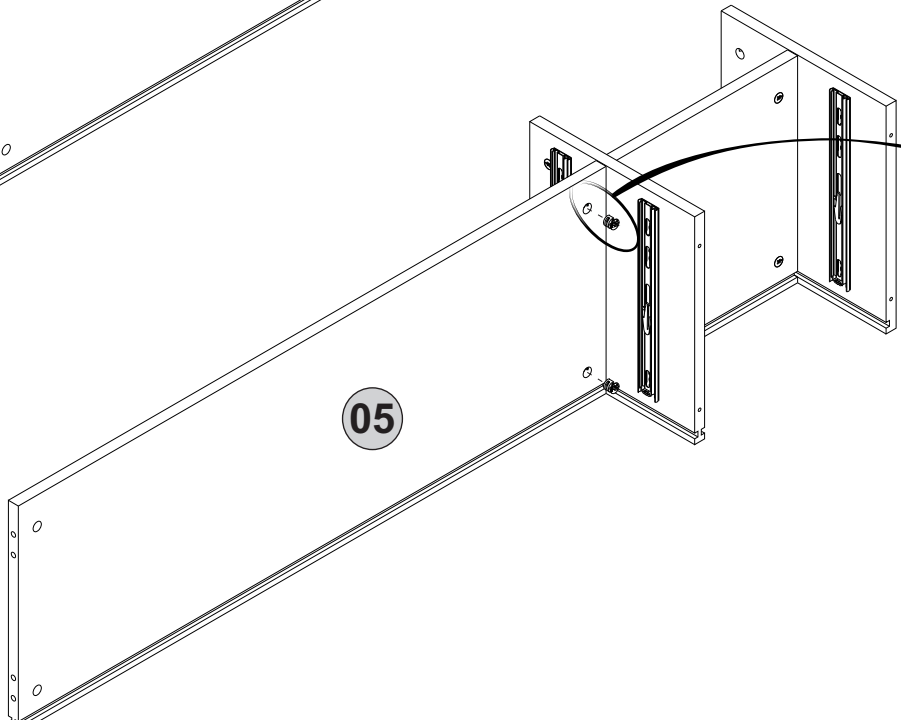
24



25



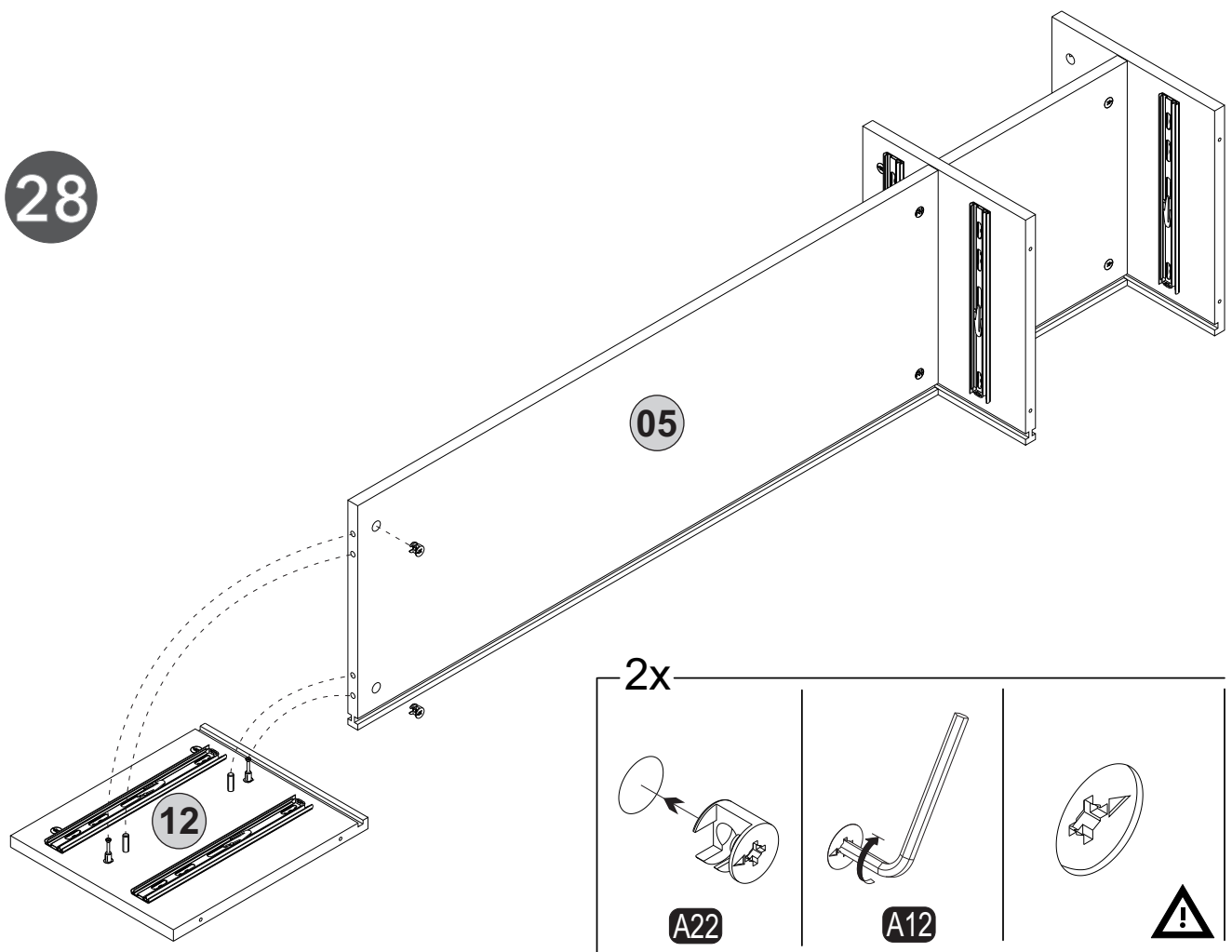
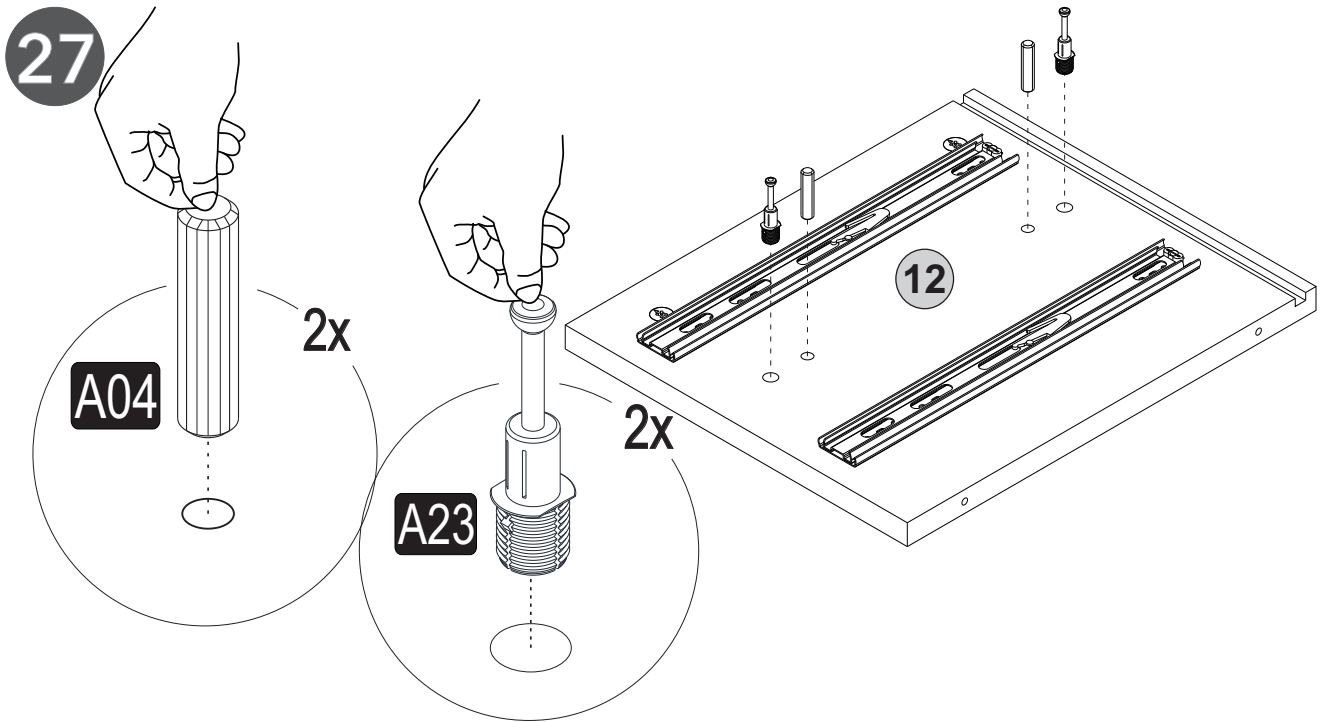
26



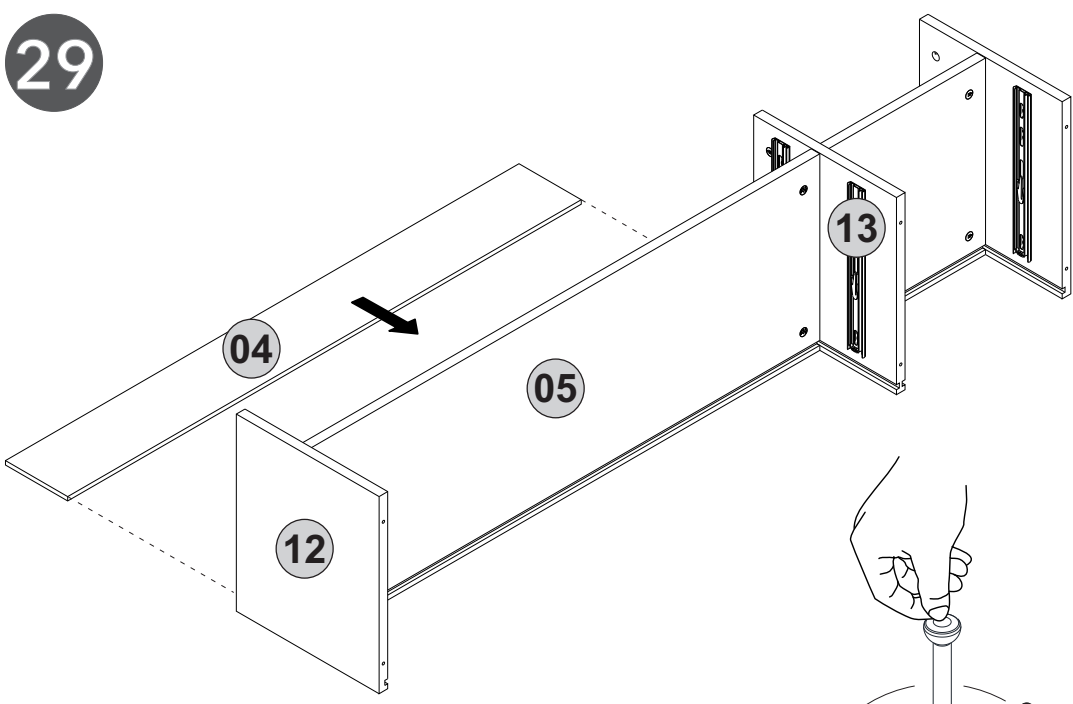
2x

A22

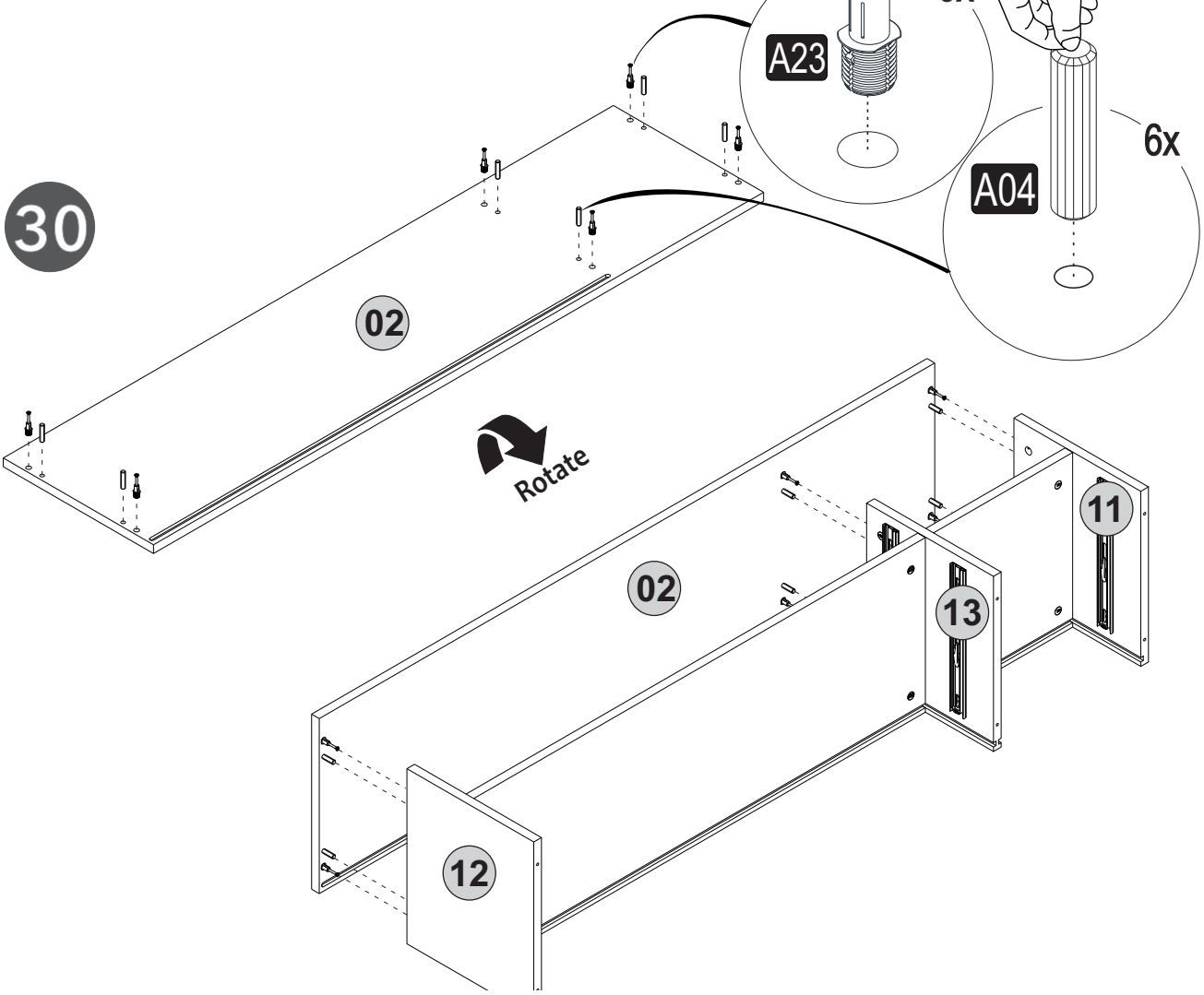
A12



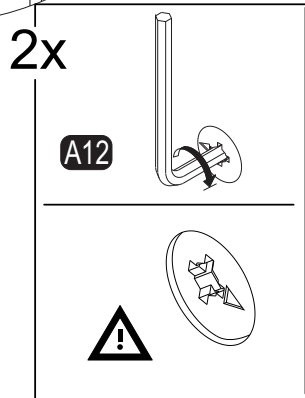
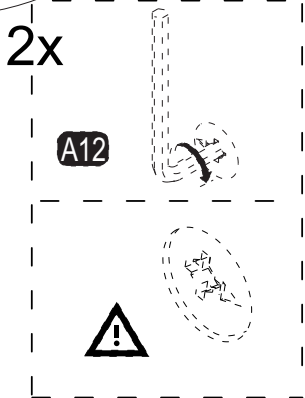
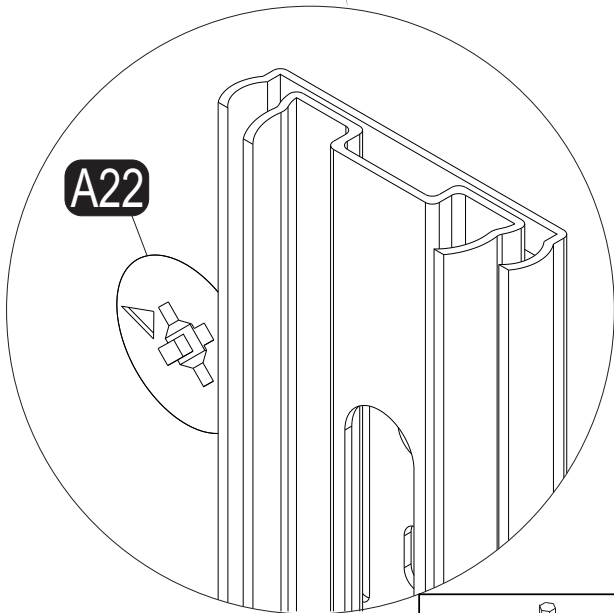
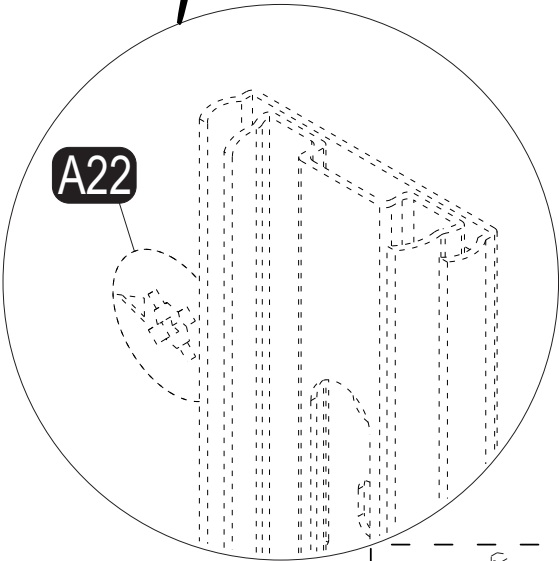
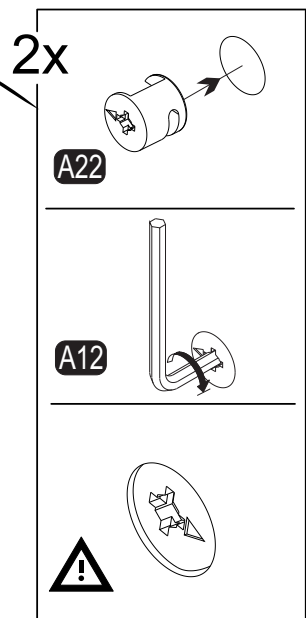
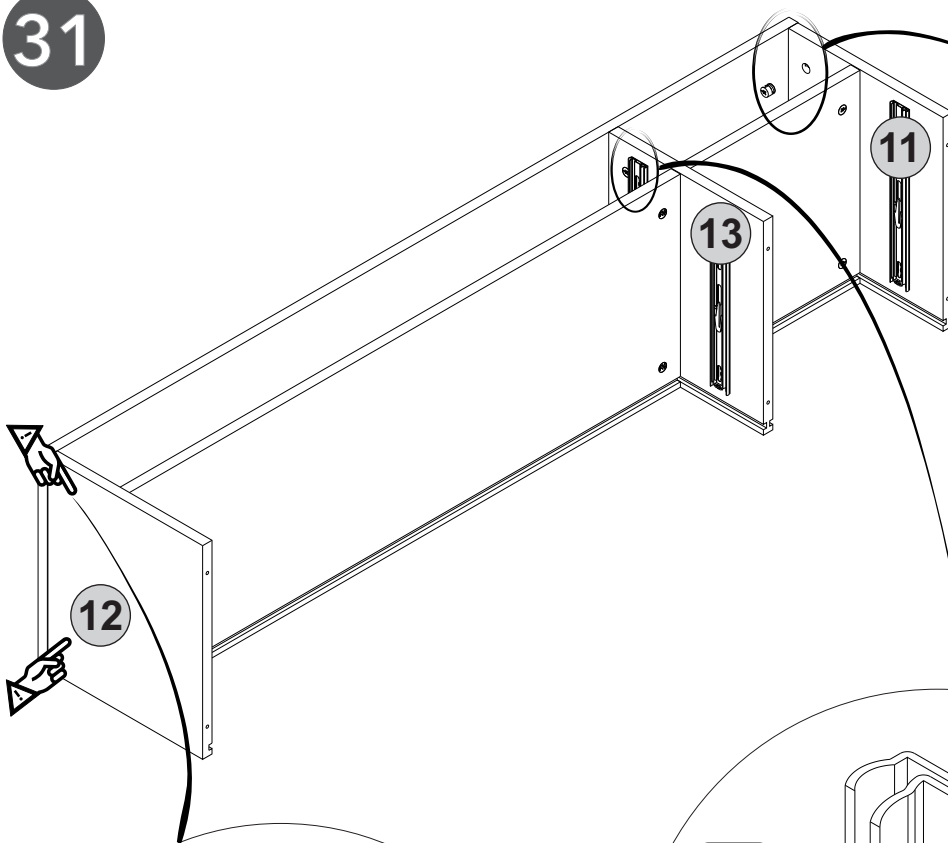
29



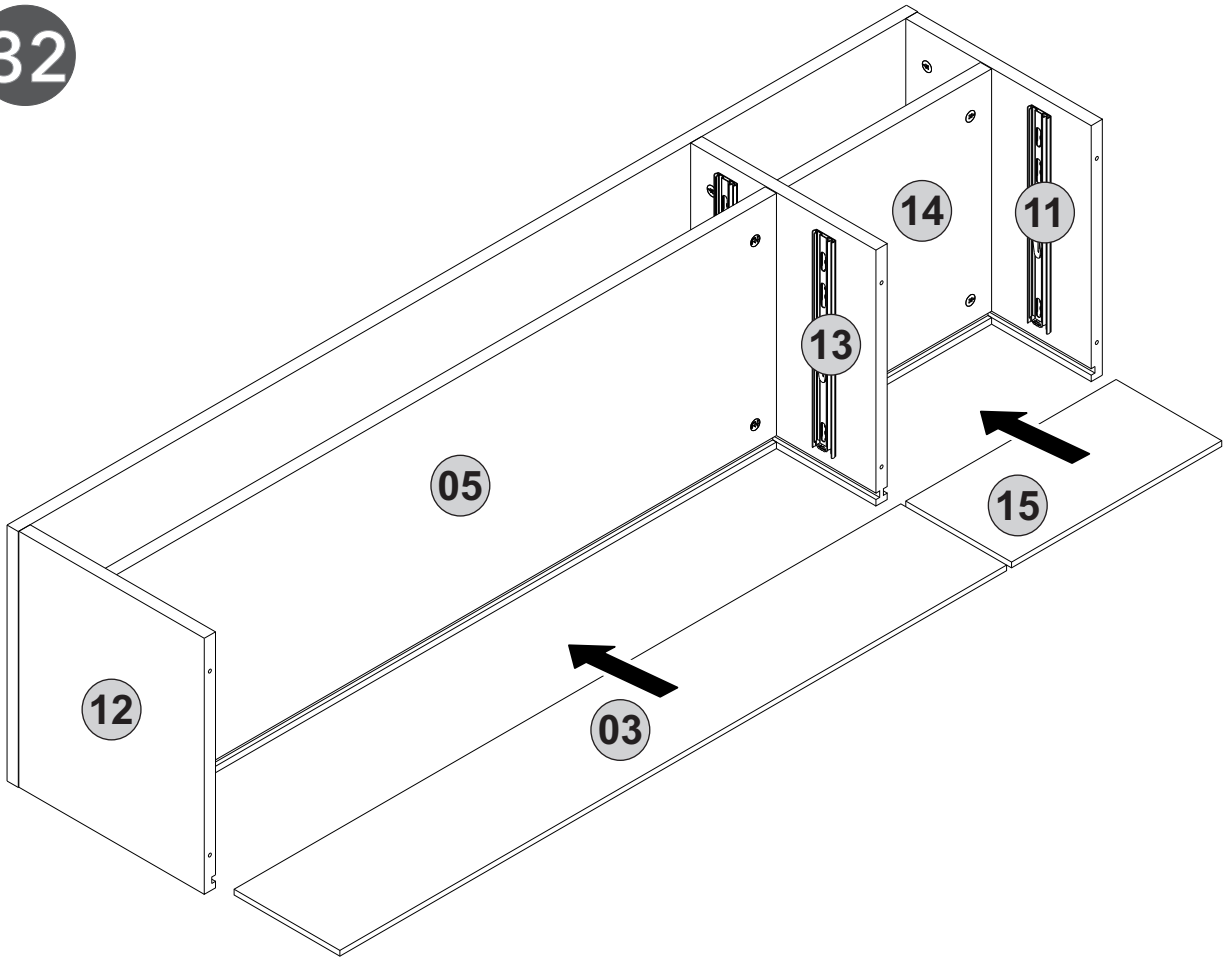
30



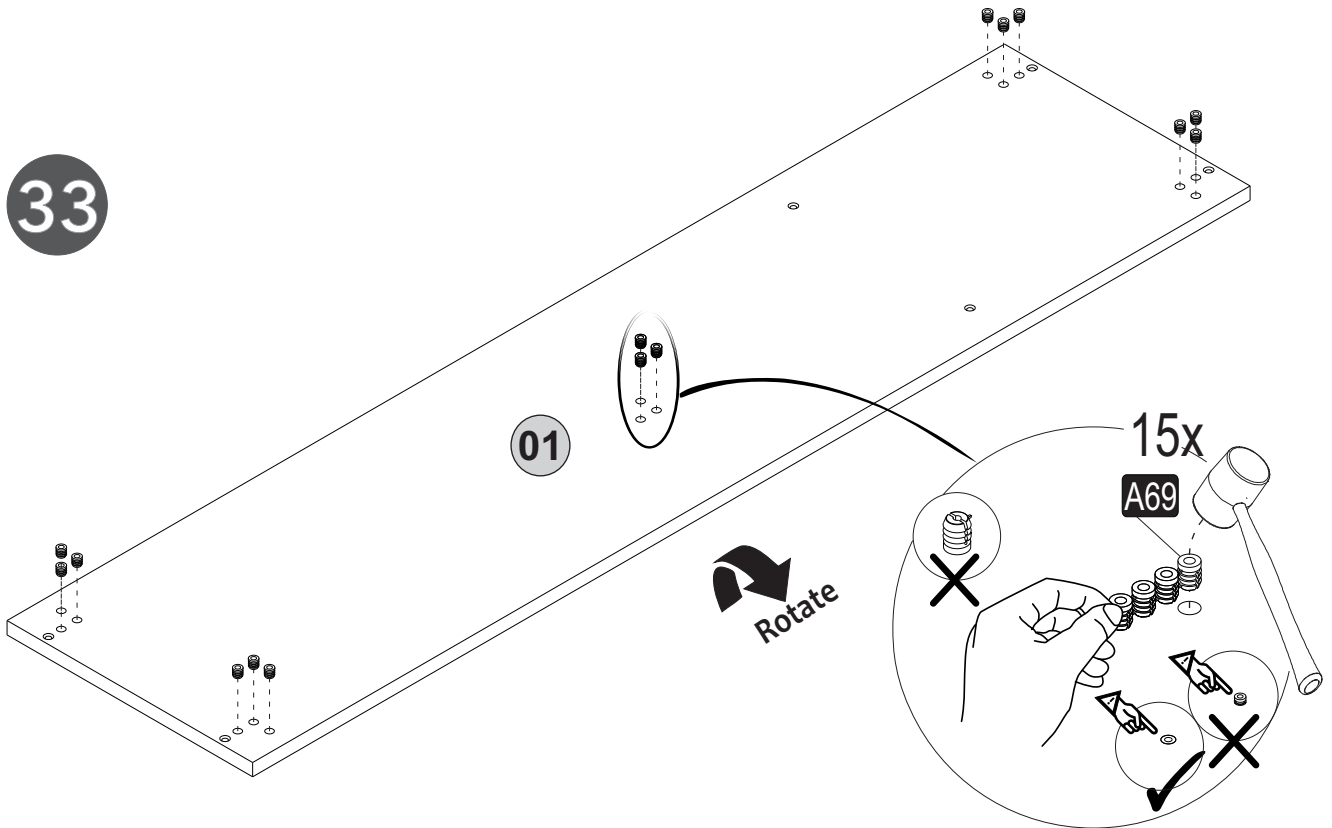
31



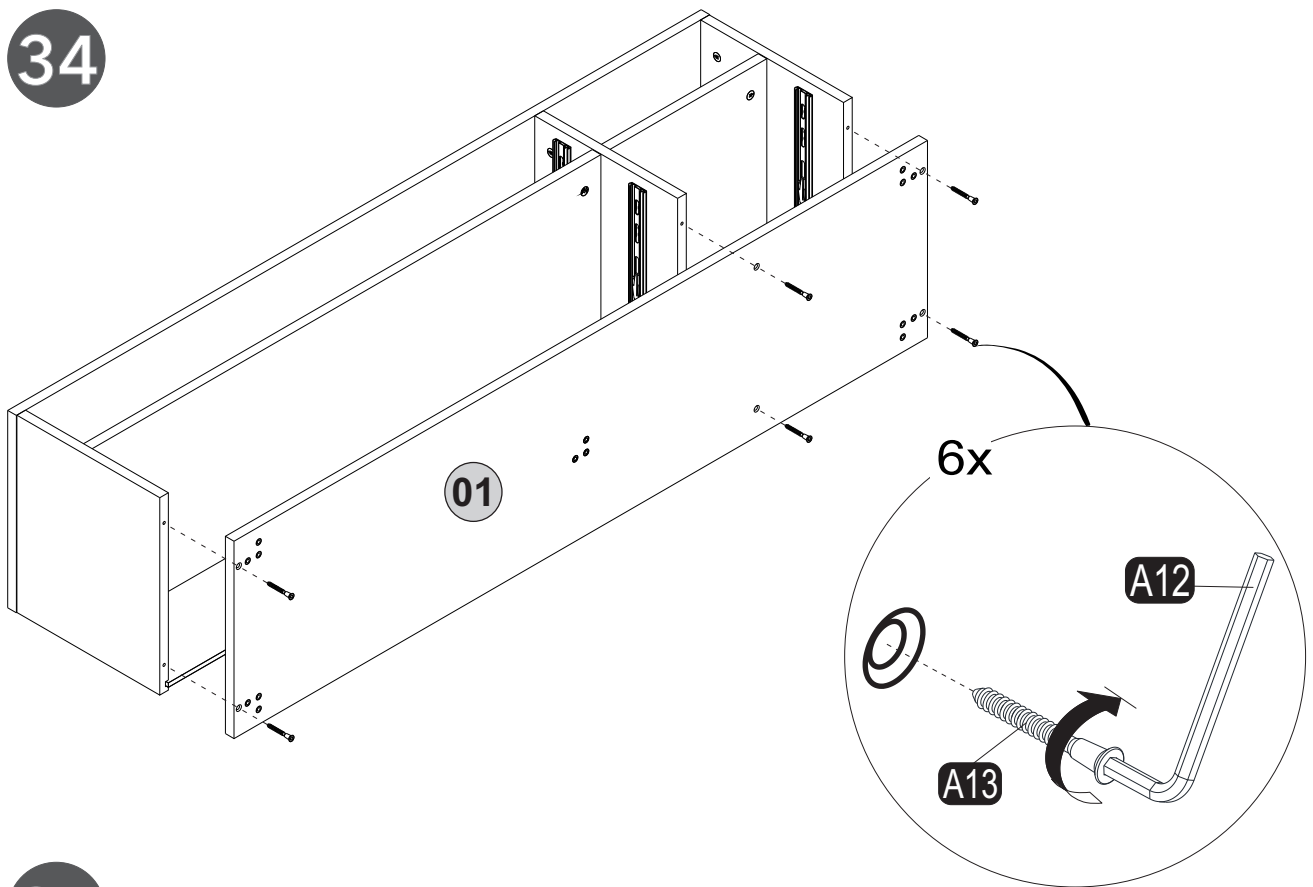
32



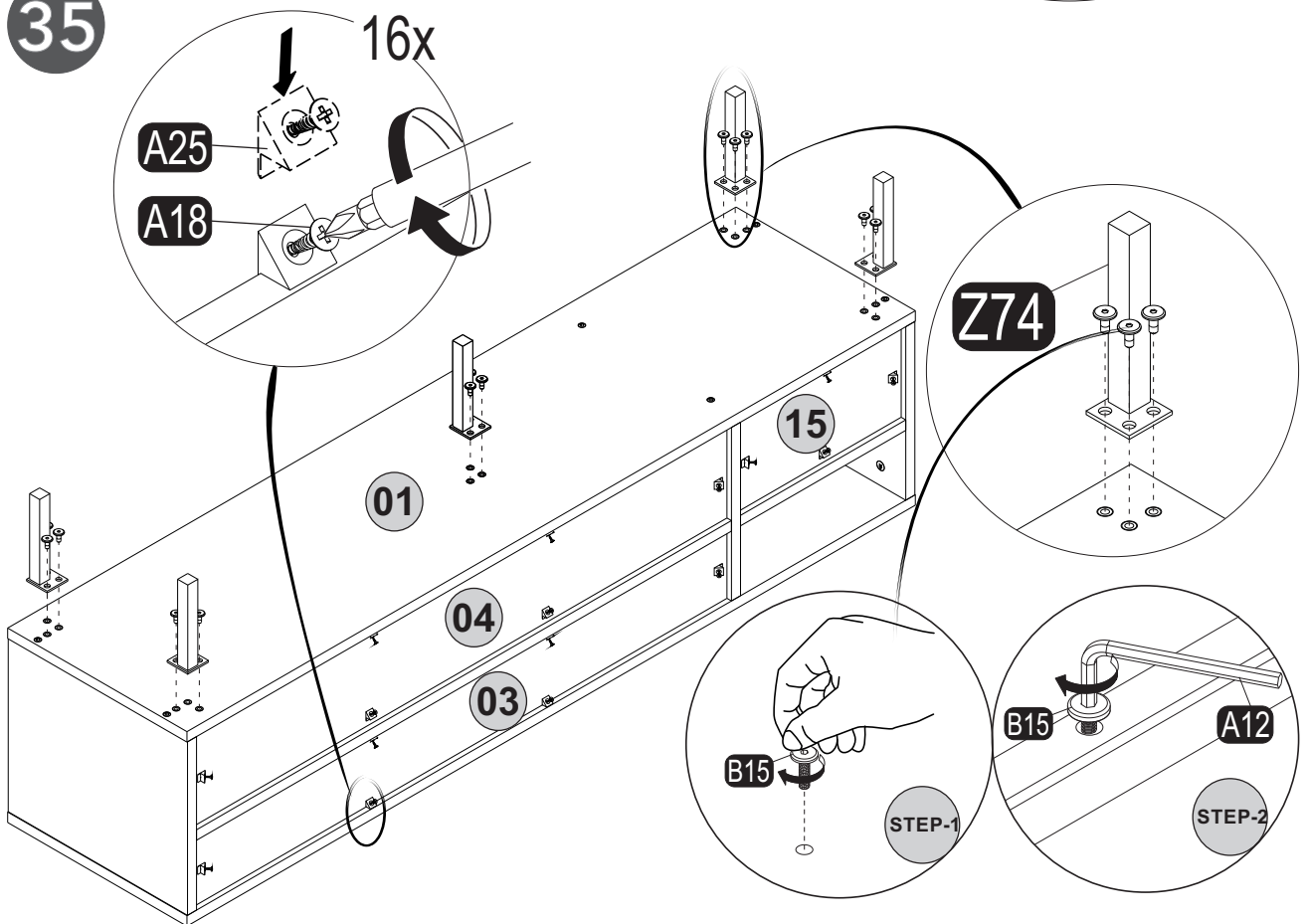
33



34



35



36

