
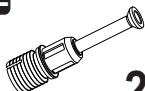


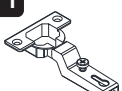


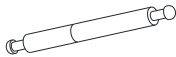


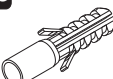

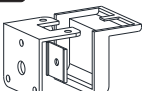
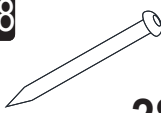
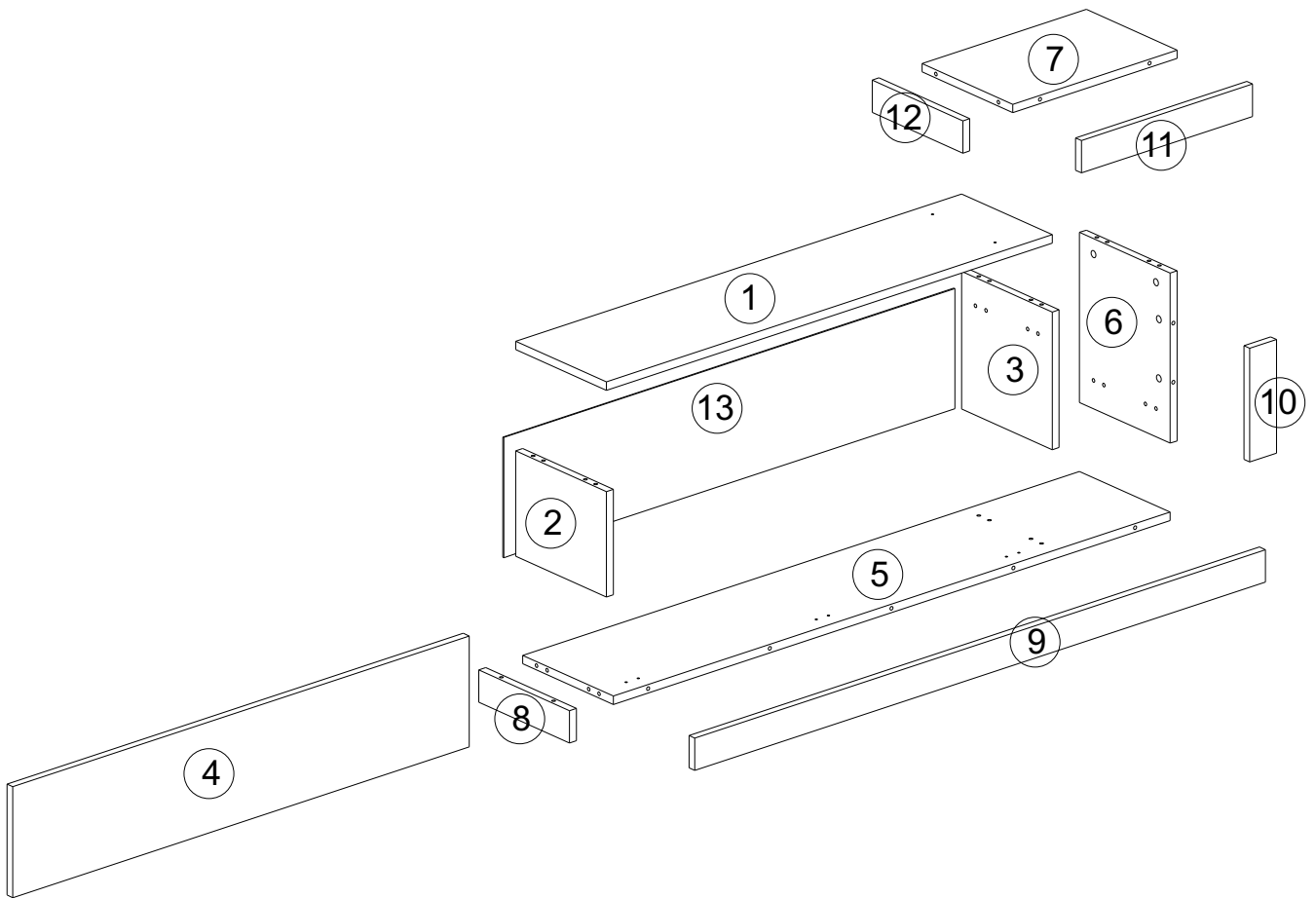


**i** GP042-0187,3

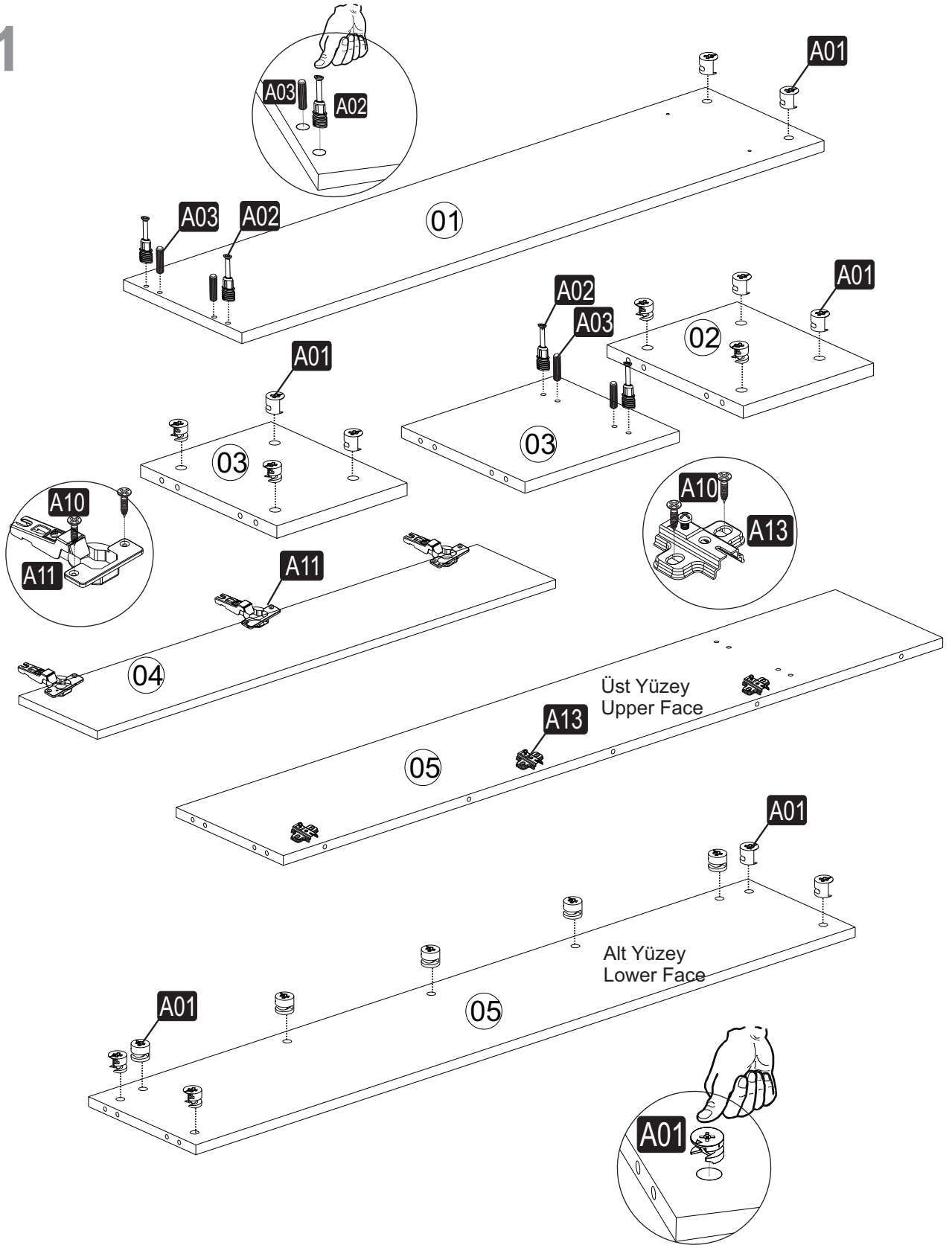


150 x 29,6 x 38,6cm

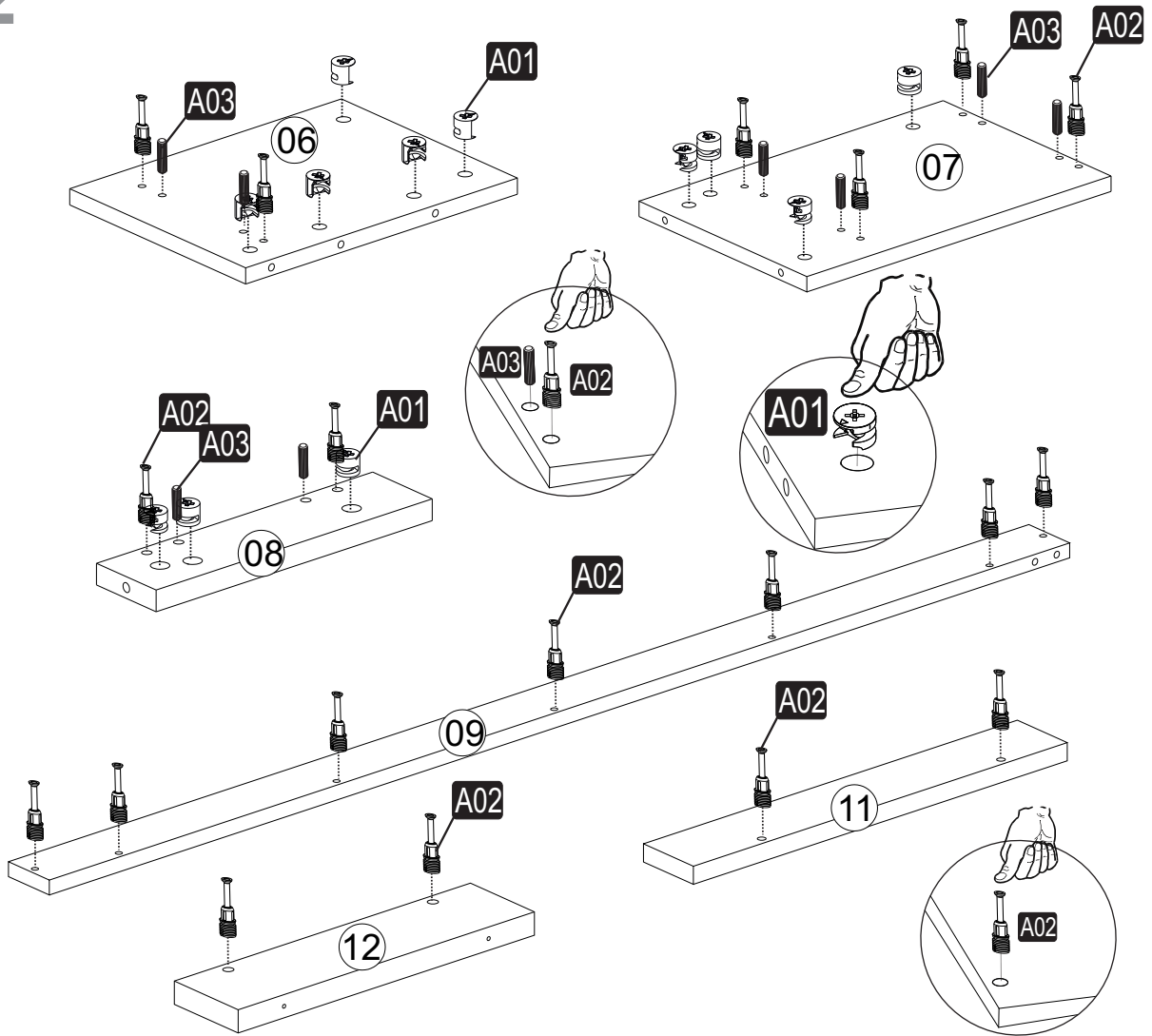
|  |   |   |   |  |
|--|---|---|---|--|
| <b>A01</b><br><br><b>31x</b>            | <b>A02</b><br><br><b>27x</b>         | <b>A03</b><br><br><b>18x</b> | <b>A13</b> MA<br><br><b>3x</b>                  | <b>A11</b> SPM<br><br><b>3x</b> |
| <b>A10</b> 3,5x18 YHB<br><br><b>24x</b> | <b>A09</b> 4x50 YHB<br><br><b>2x</b> | <b>A44</b><br><br><b>2x</b>  | <b>A04</b><br><br>A <b>10x</b><br>D <b>21x</b> | <b>A16</b><br><br>A <b>2x</b>   |
| <b>D69</b> Ø8 Lik RKT<br><br><b>6x</b>  | <b>D41</b> 5x70 YHB<br><br><b>6x</b> | <b>A41</b><br><br><b>6x</b>  | <b>A28</b><br><br><b>28x</b>                   |  |



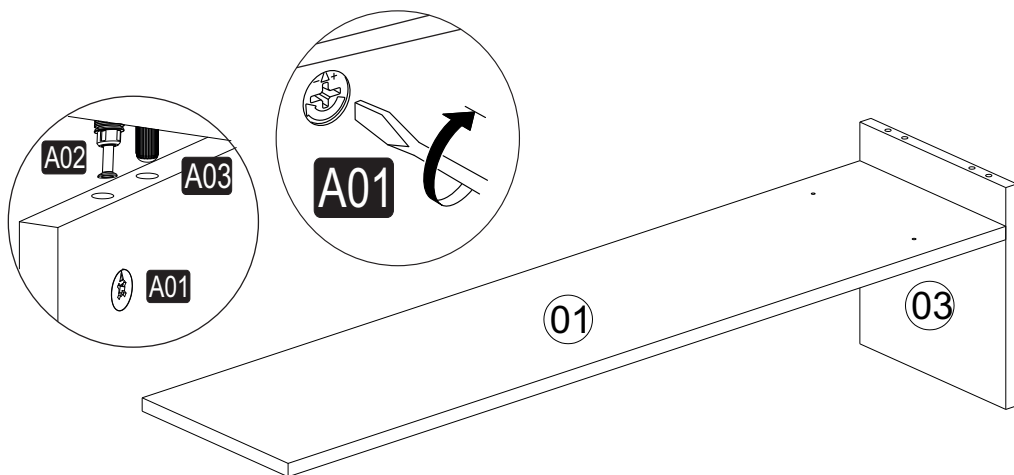
1



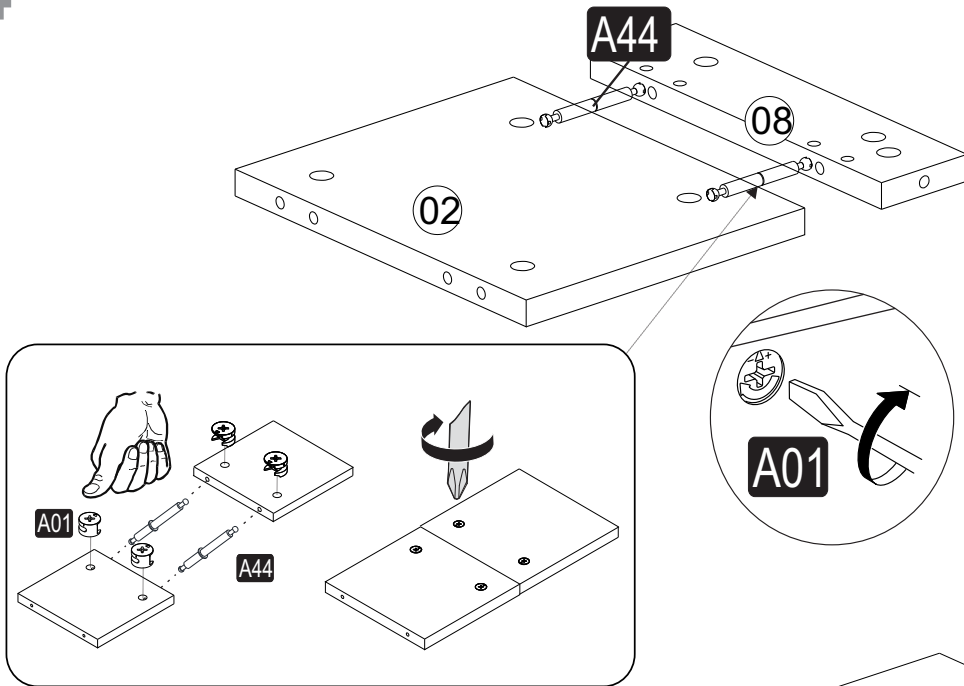
2



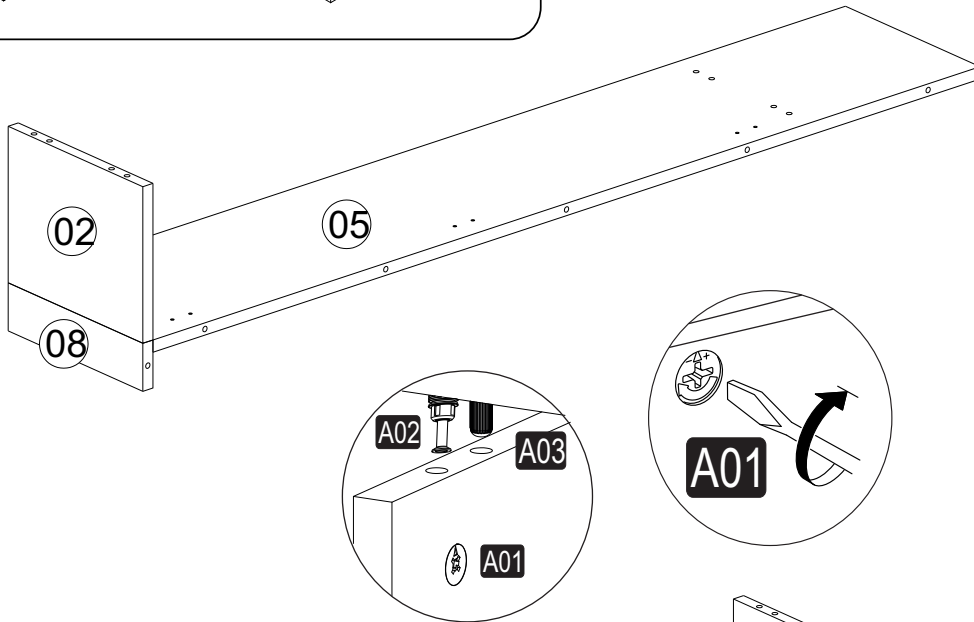
3



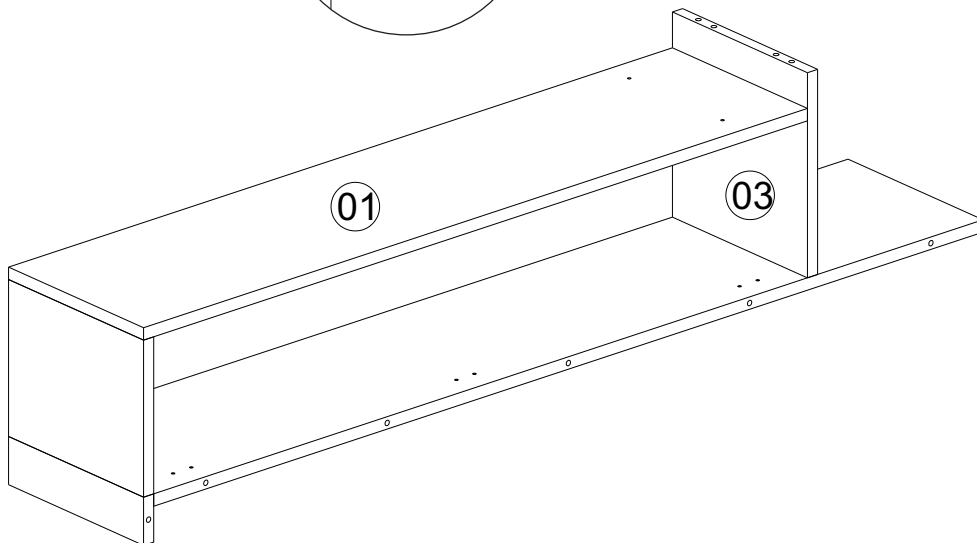
4



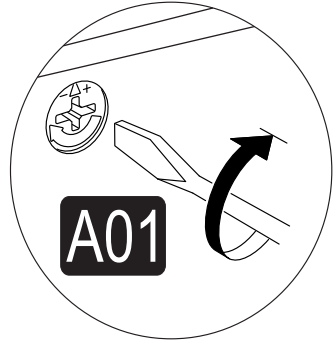
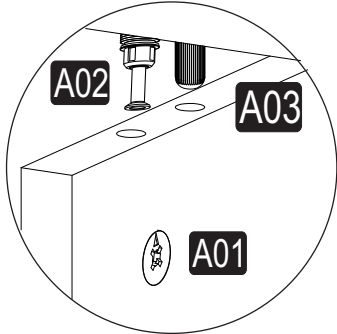
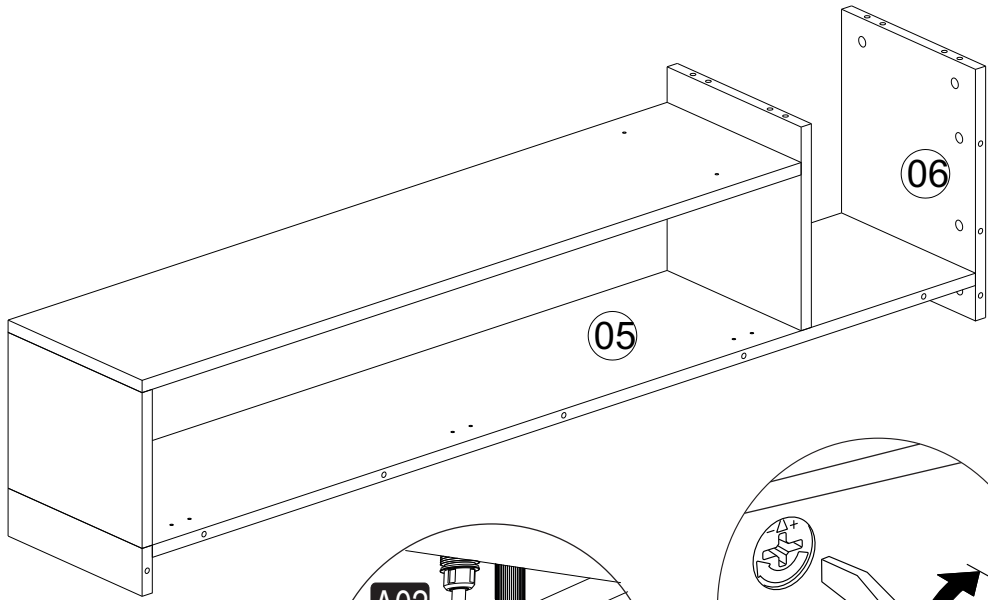
5



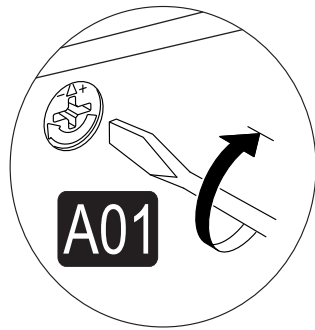
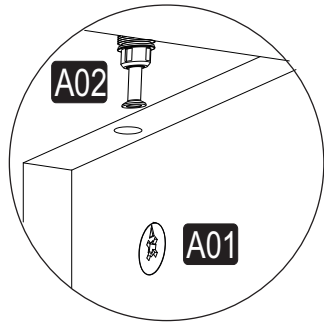
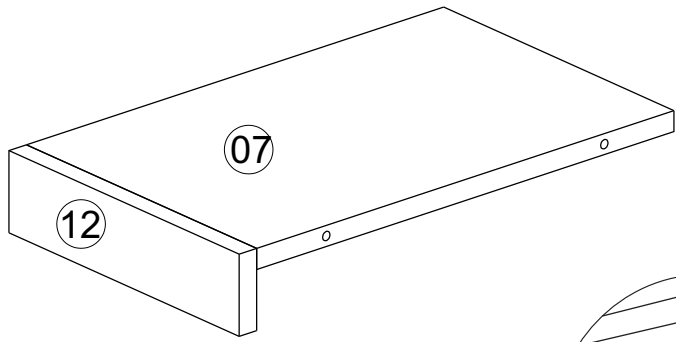
6



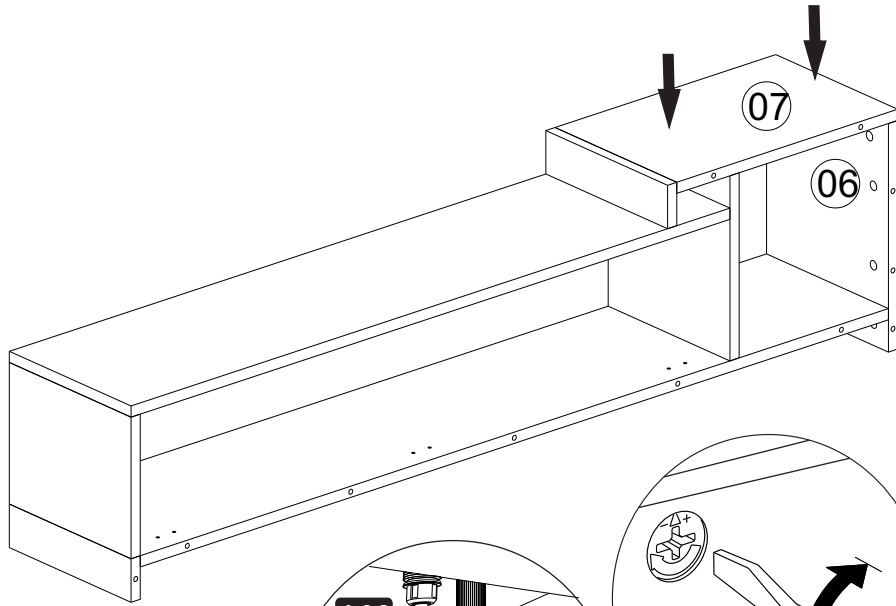
7



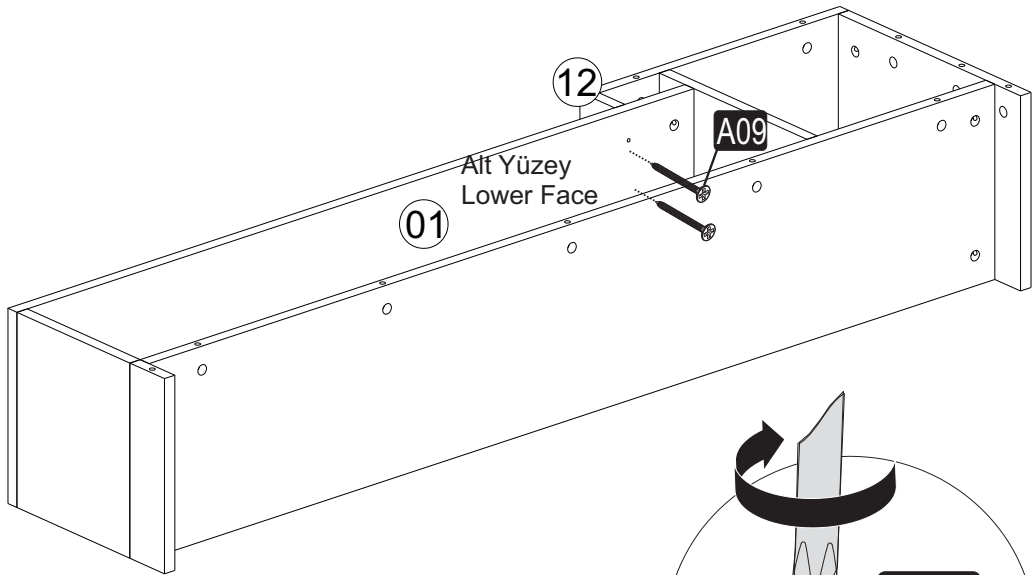
8



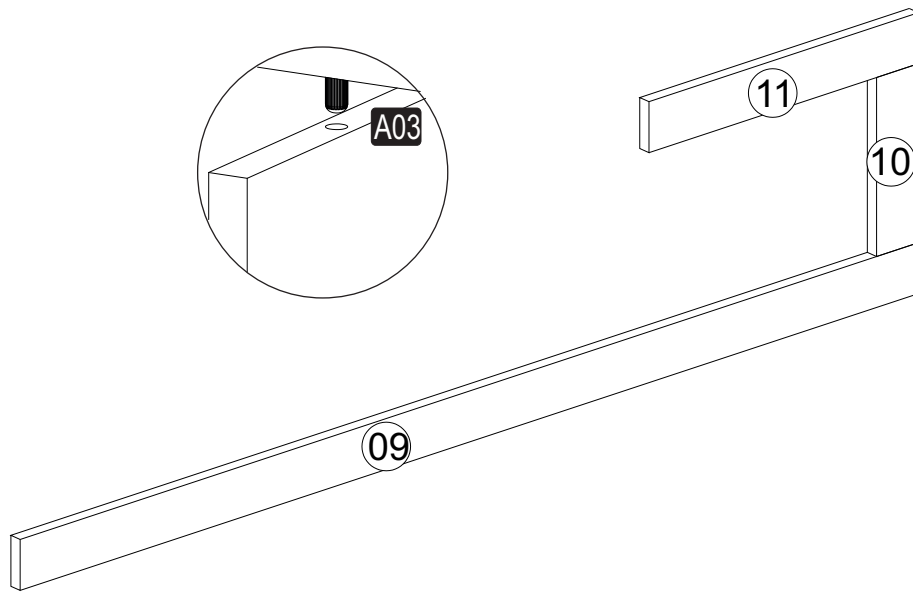
9



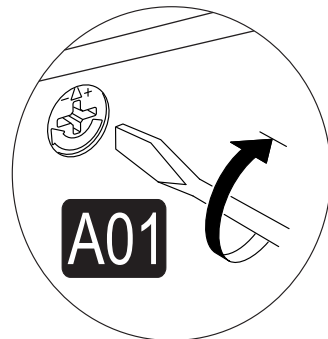
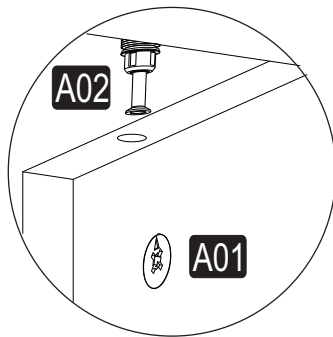
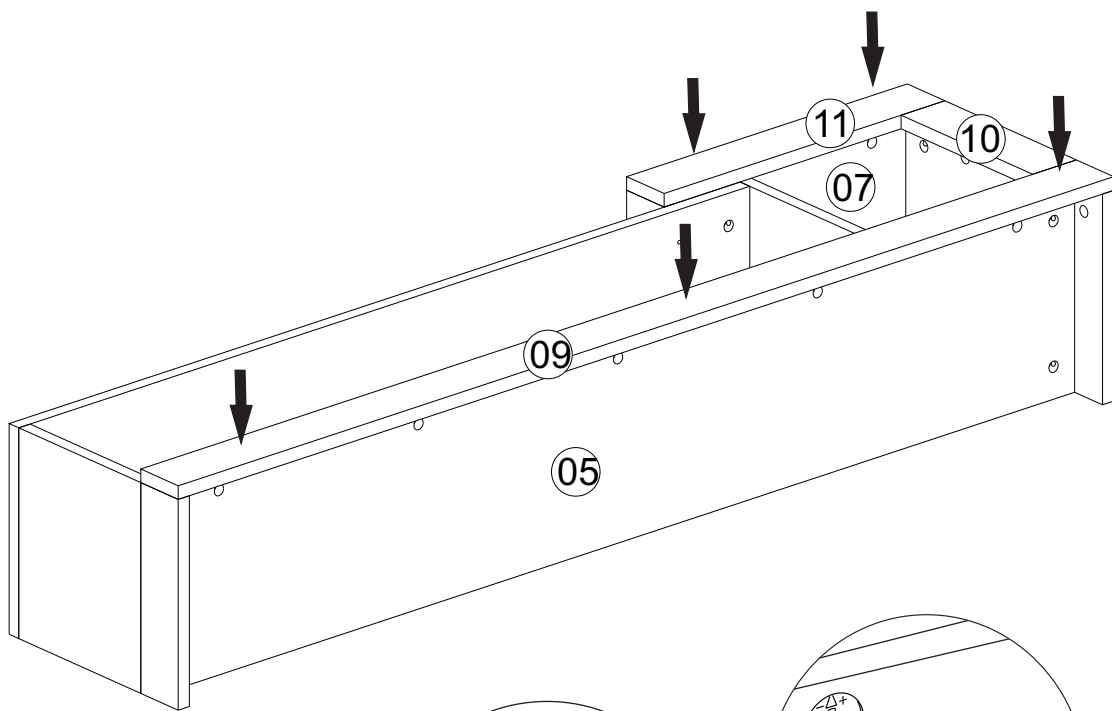
10



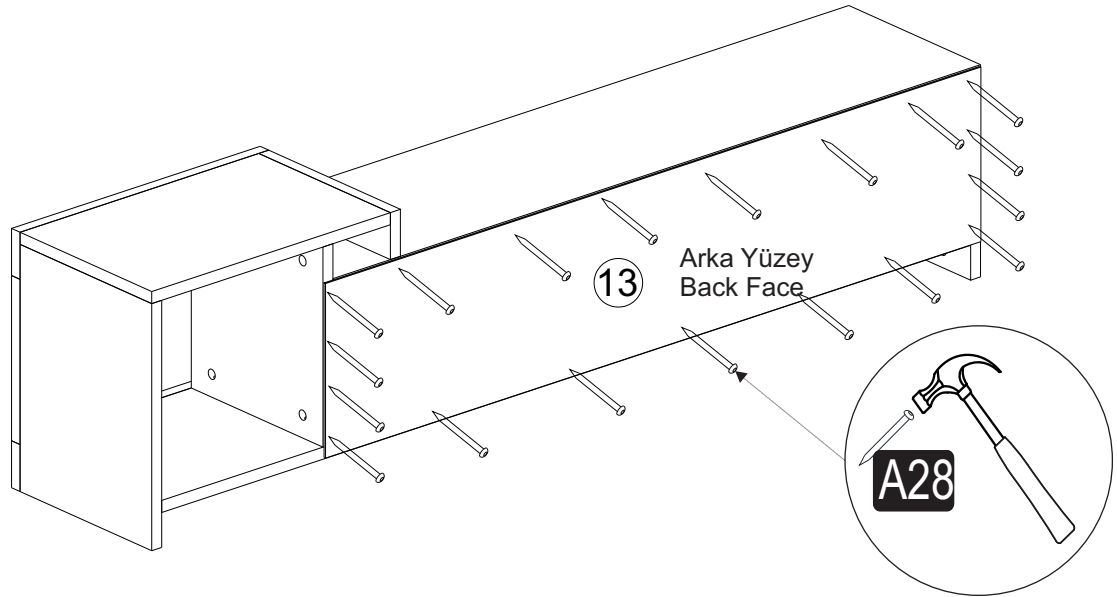
11



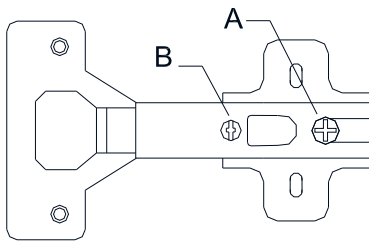
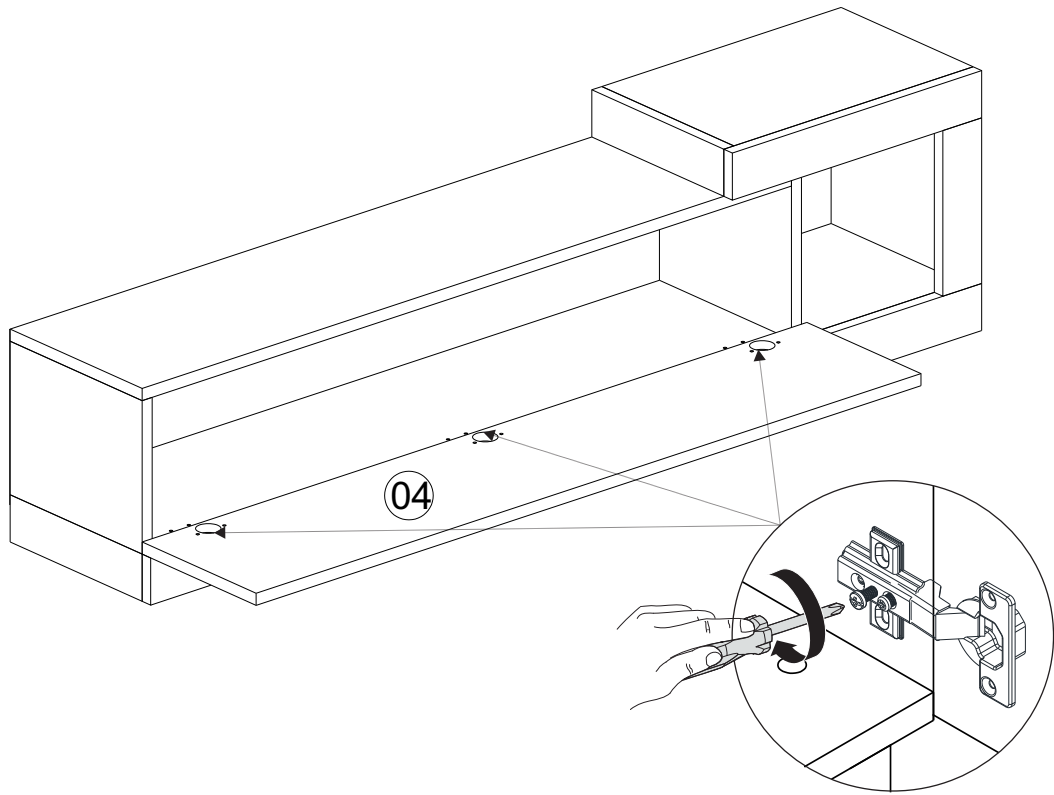
12



# 13

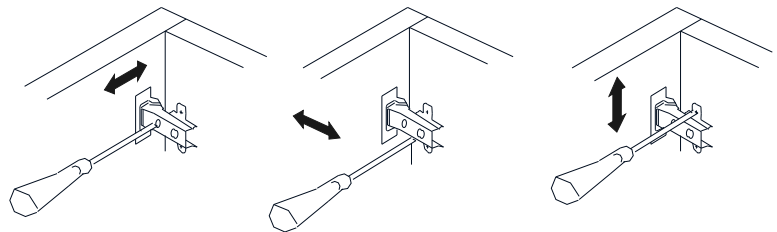


# 14



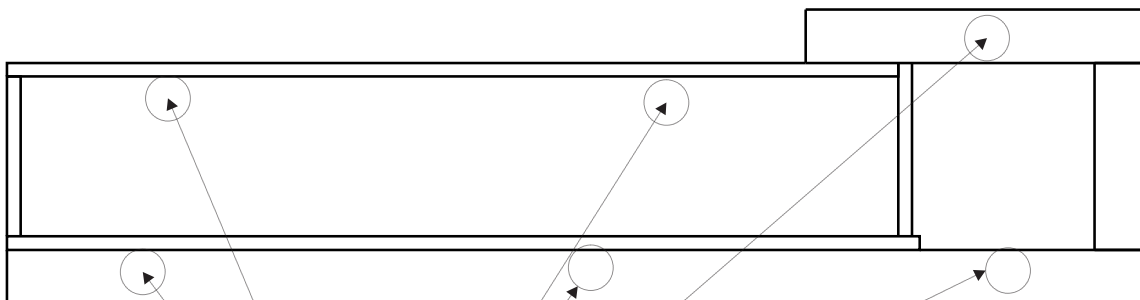
A=  
B =

/ to connect the hinge to the door  
/ to arrange the door

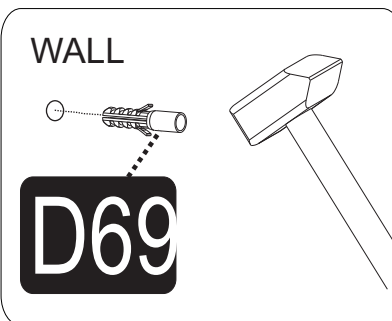
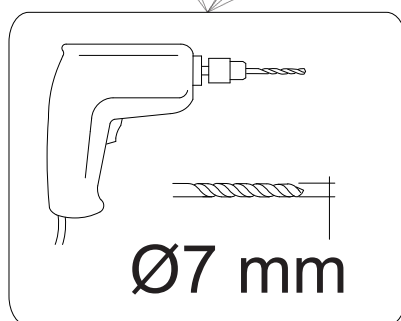


arrows to show the directions for arrangement of doors.

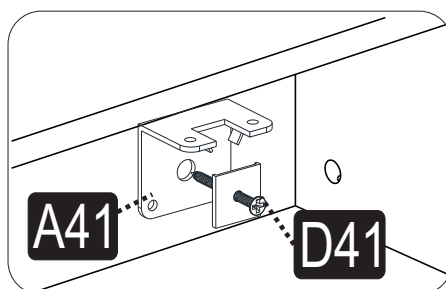
# 15



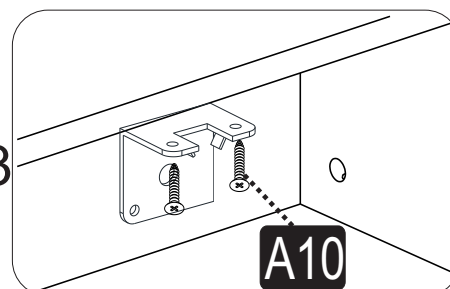
PART-1



PART-2



PART-3



PART-4

