
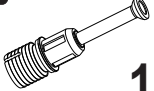
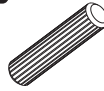
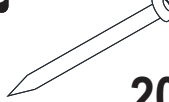
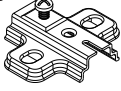

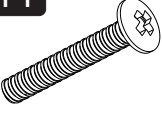

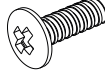


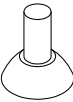
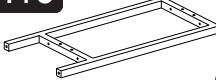
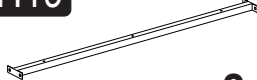

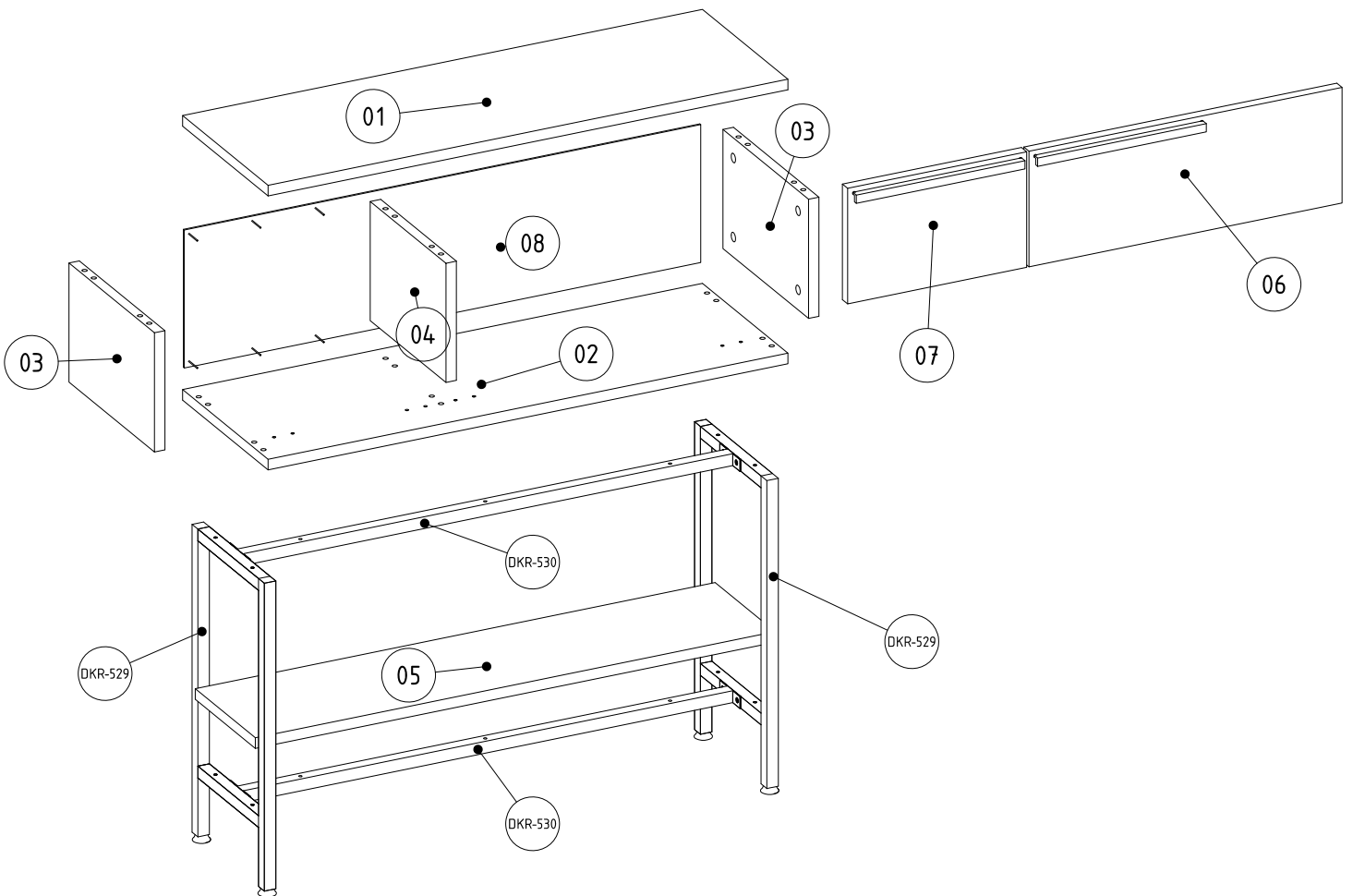


i GP042-0261,2

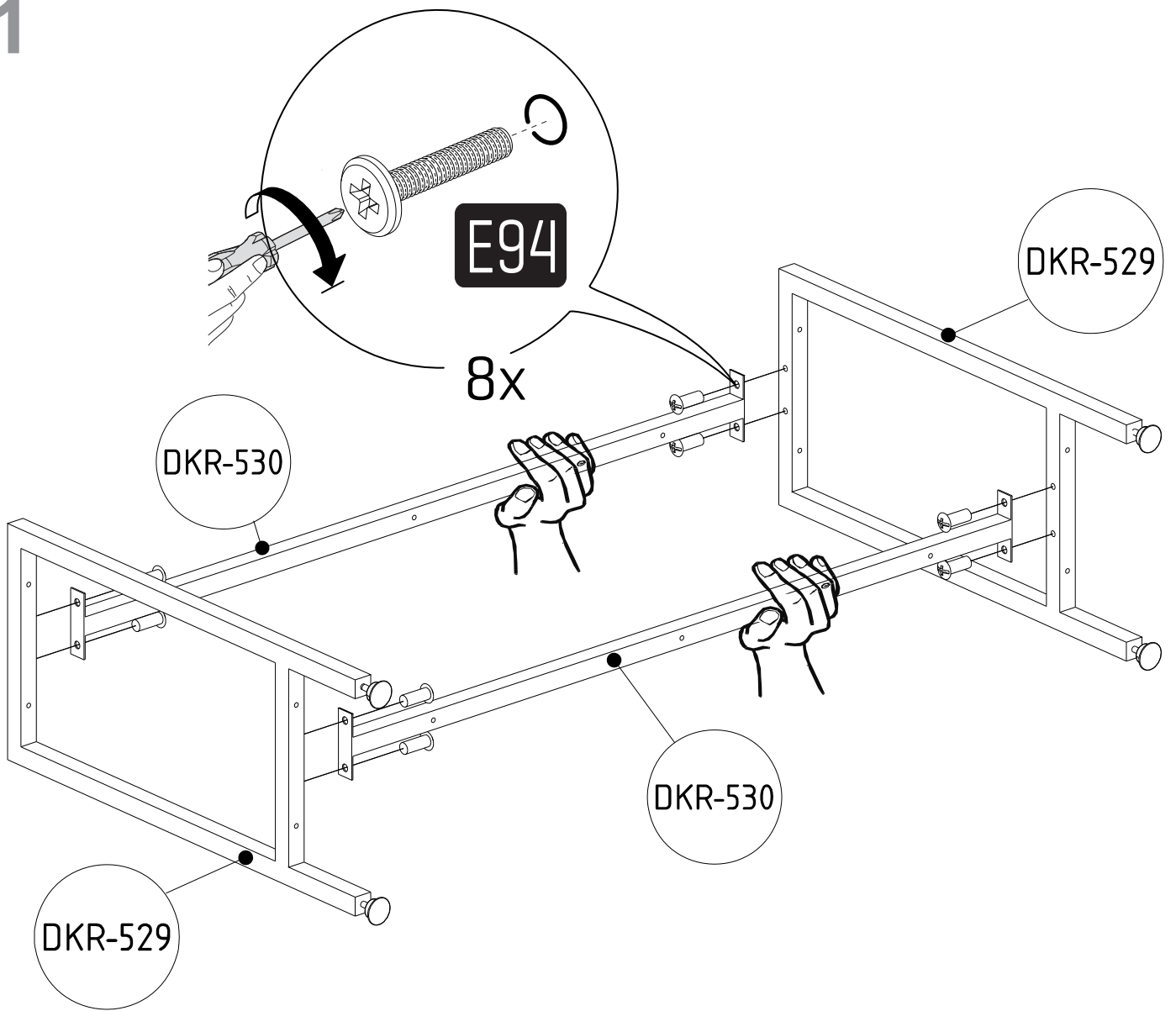


90 x 29,6 x 76cm

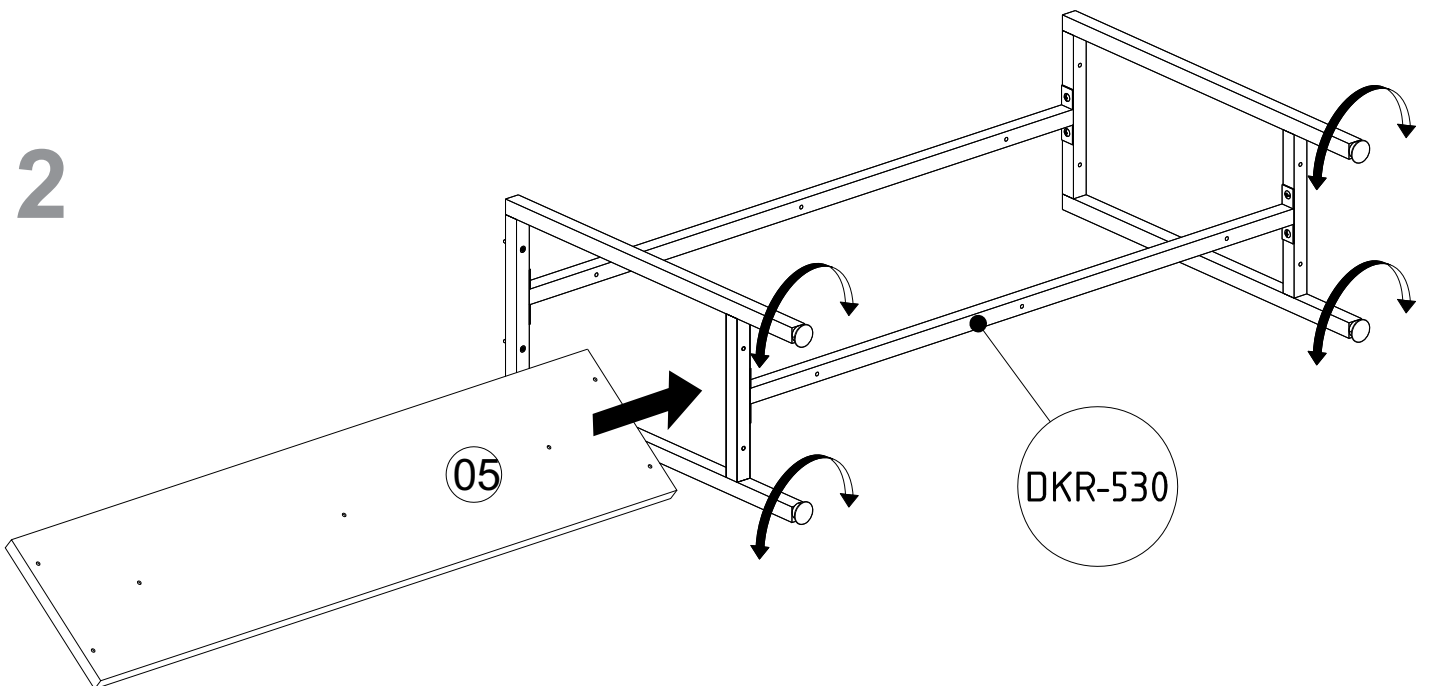
A01  12x	A02  12x	A03  12x	A28  20x	A13  4x
A04  A 12x	A14 M4x22  4x	A10 3,5x18  16x	E94 M6x10 SYH  8x	A11  4x
H17 MT SYH  302 mm 2x	F08 Syh  Ø28 (6*15) 4x	H18 MT SYH  DKR-529 H522*250*20 2x	H19 MT SYH  DKR-530 H850*20*20 2x	A38 3,5x35  14x



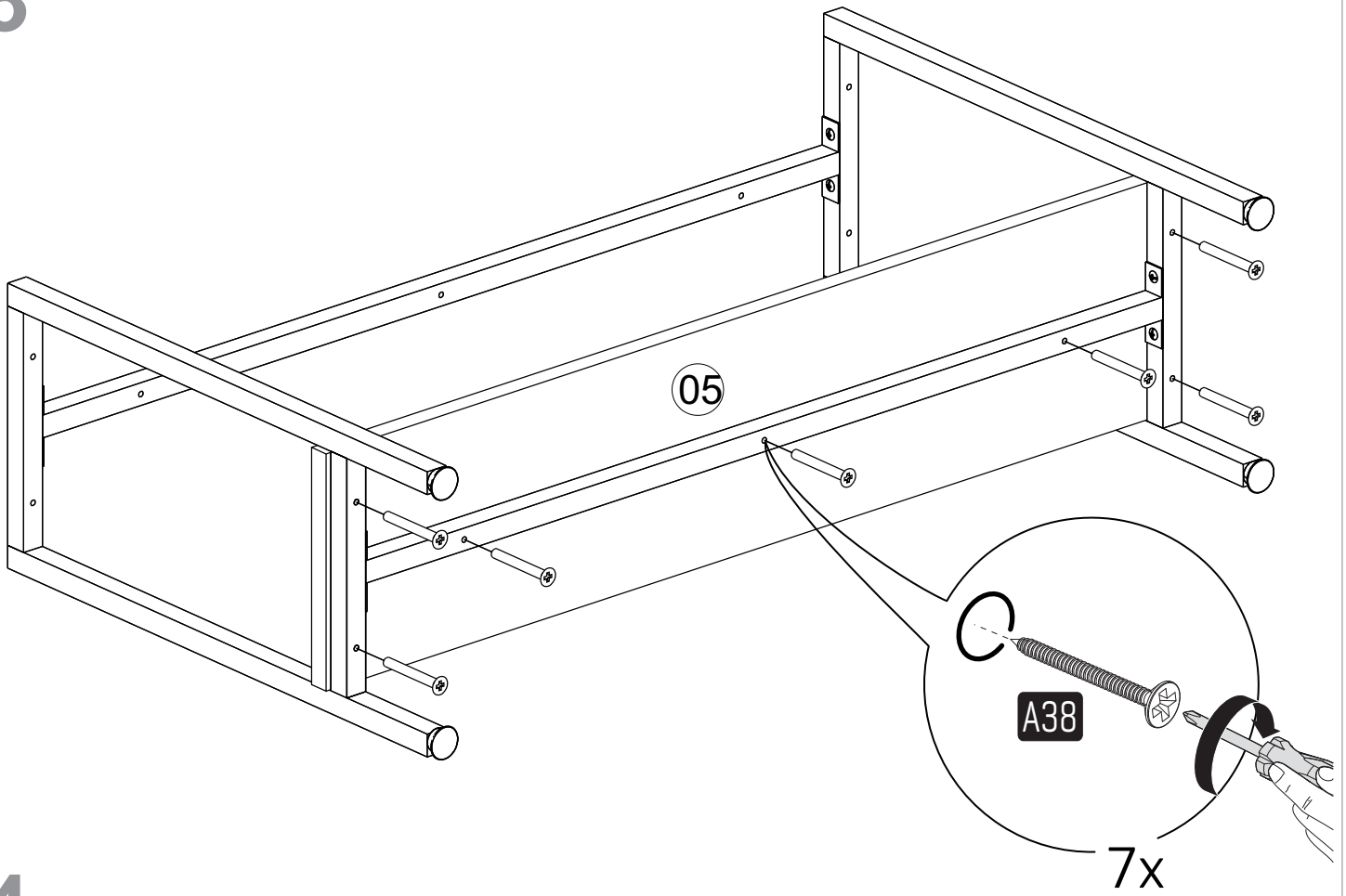
1



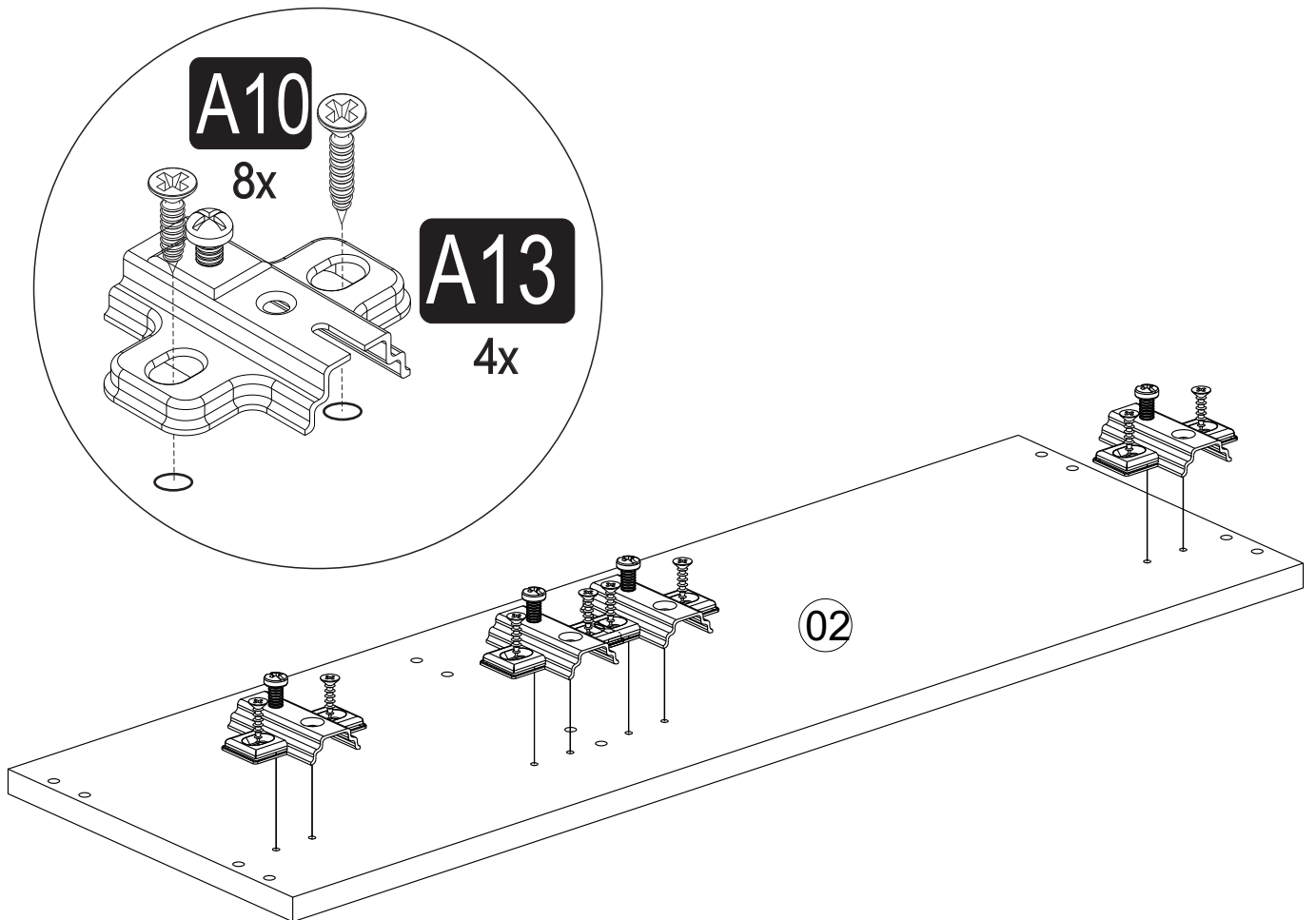
2



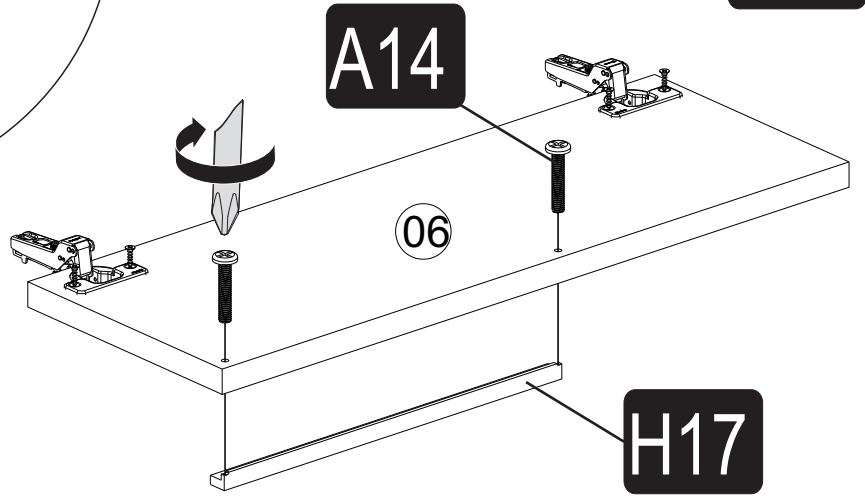
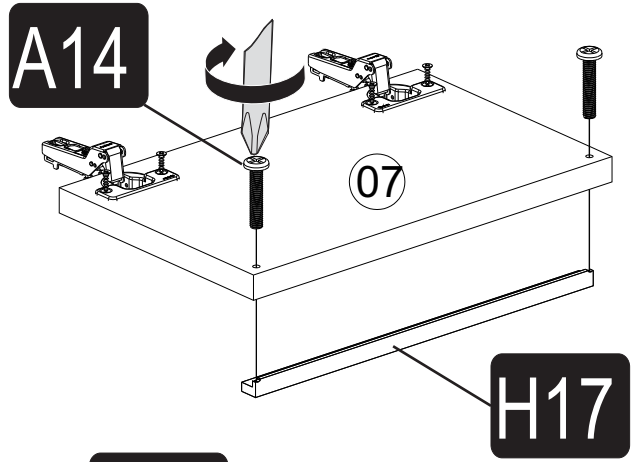
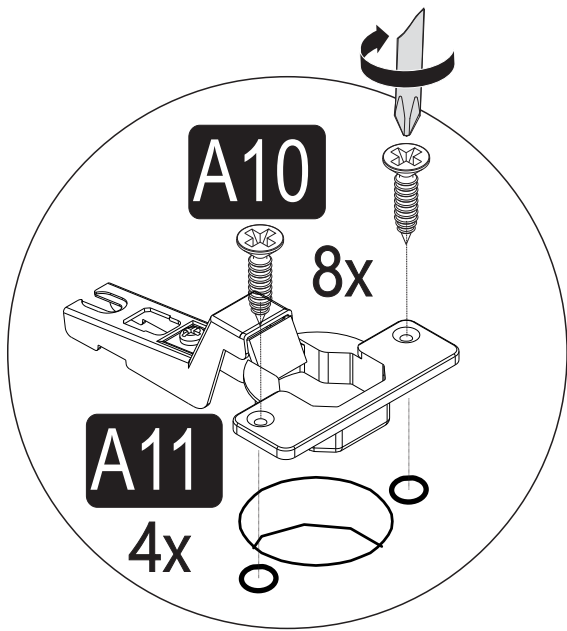
3



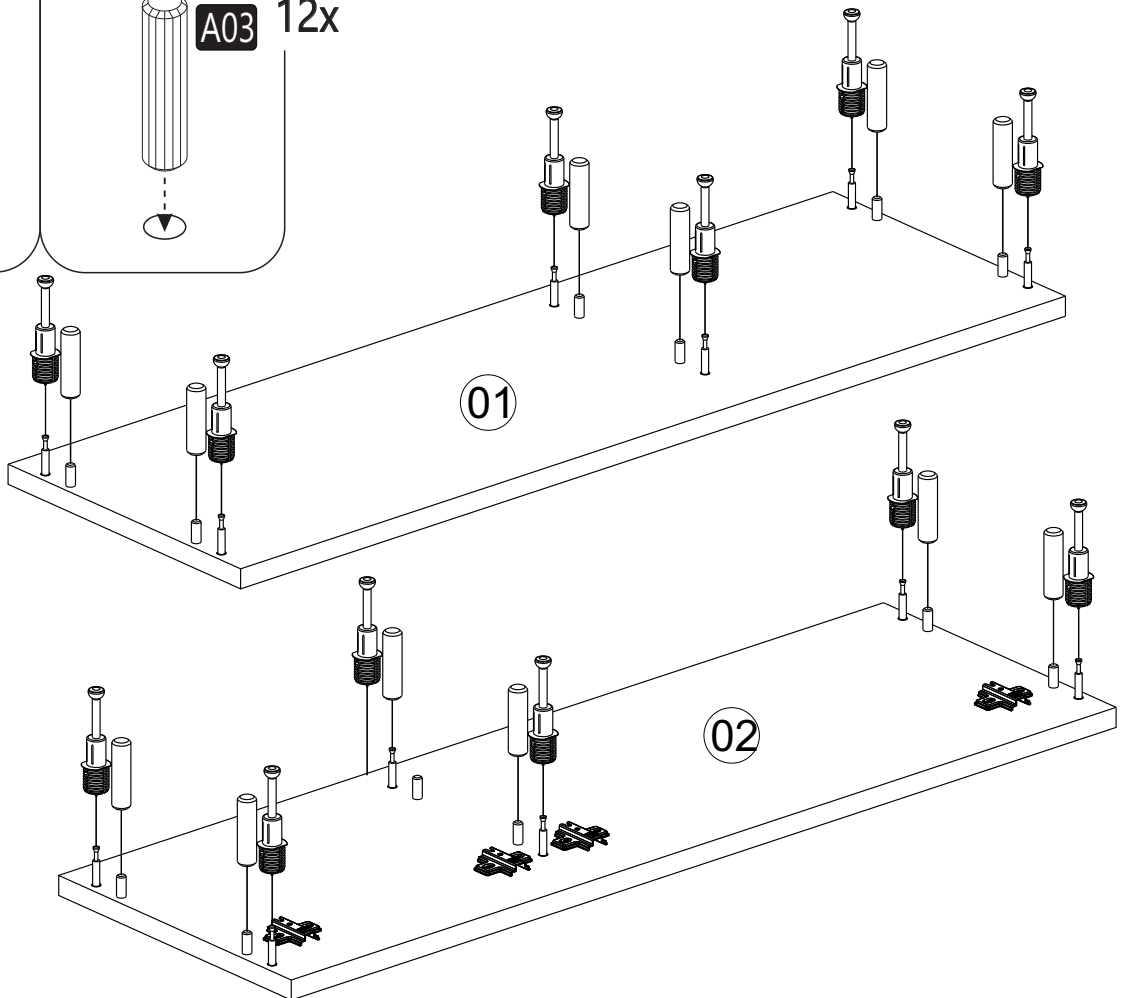
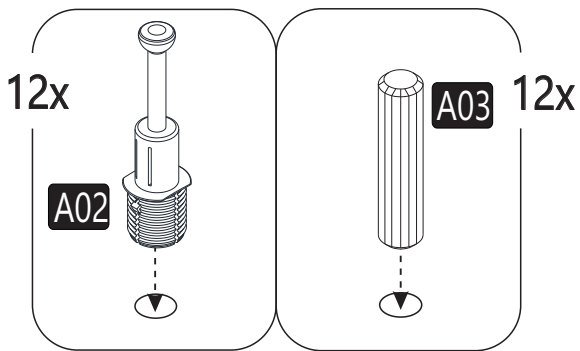
4



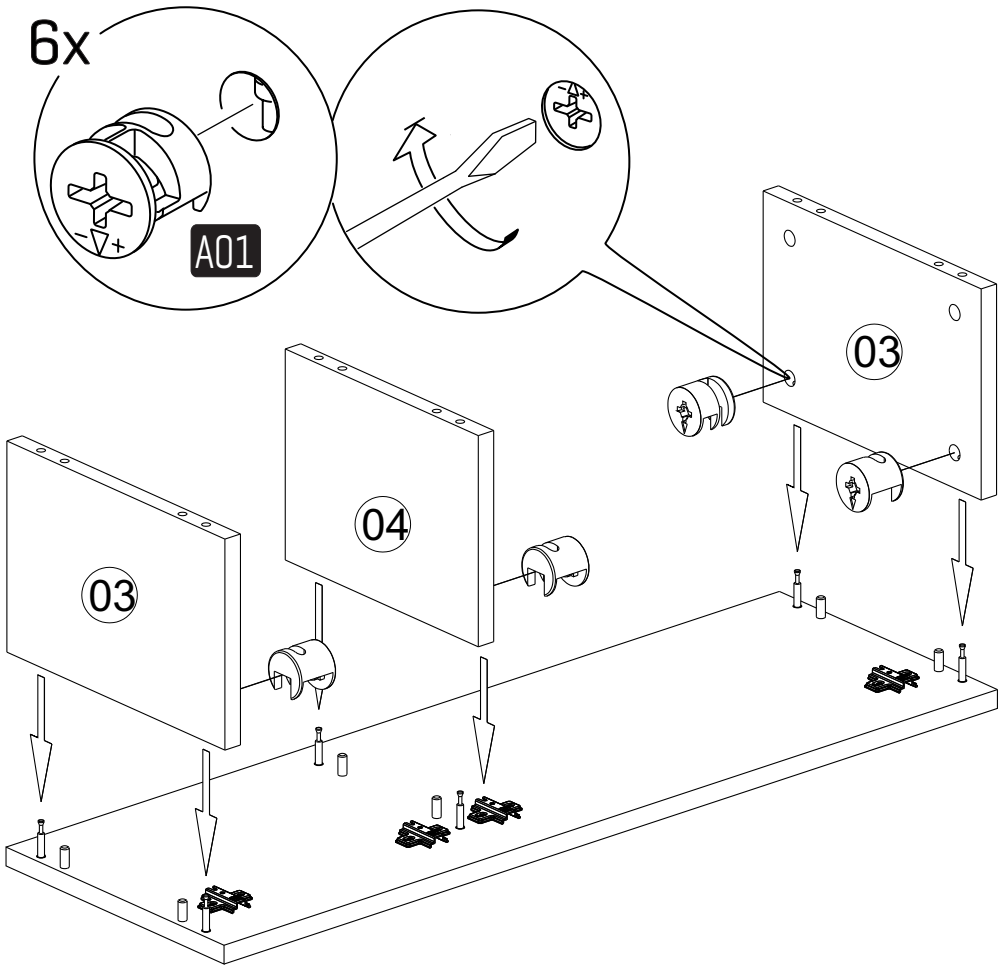
5



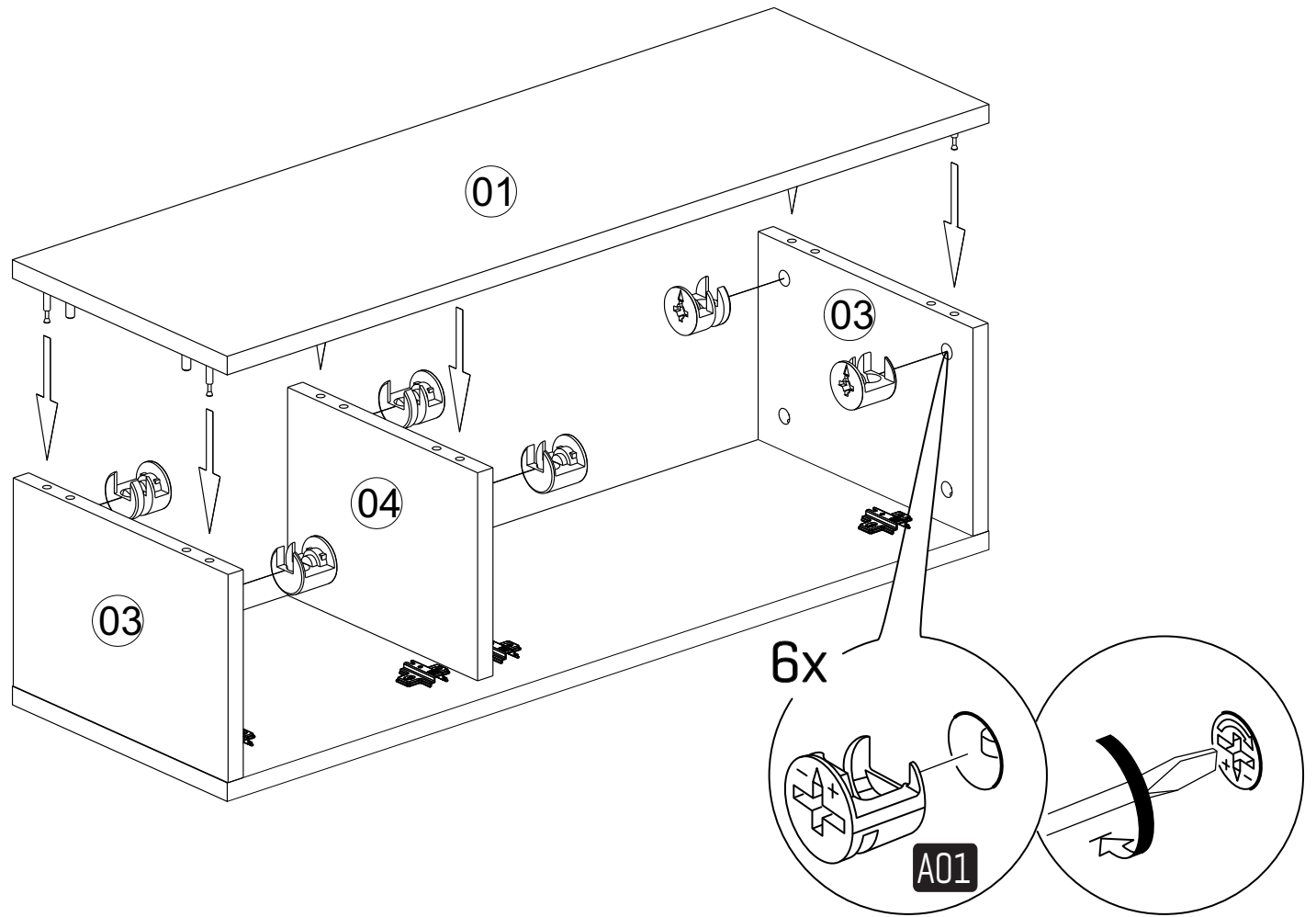
6



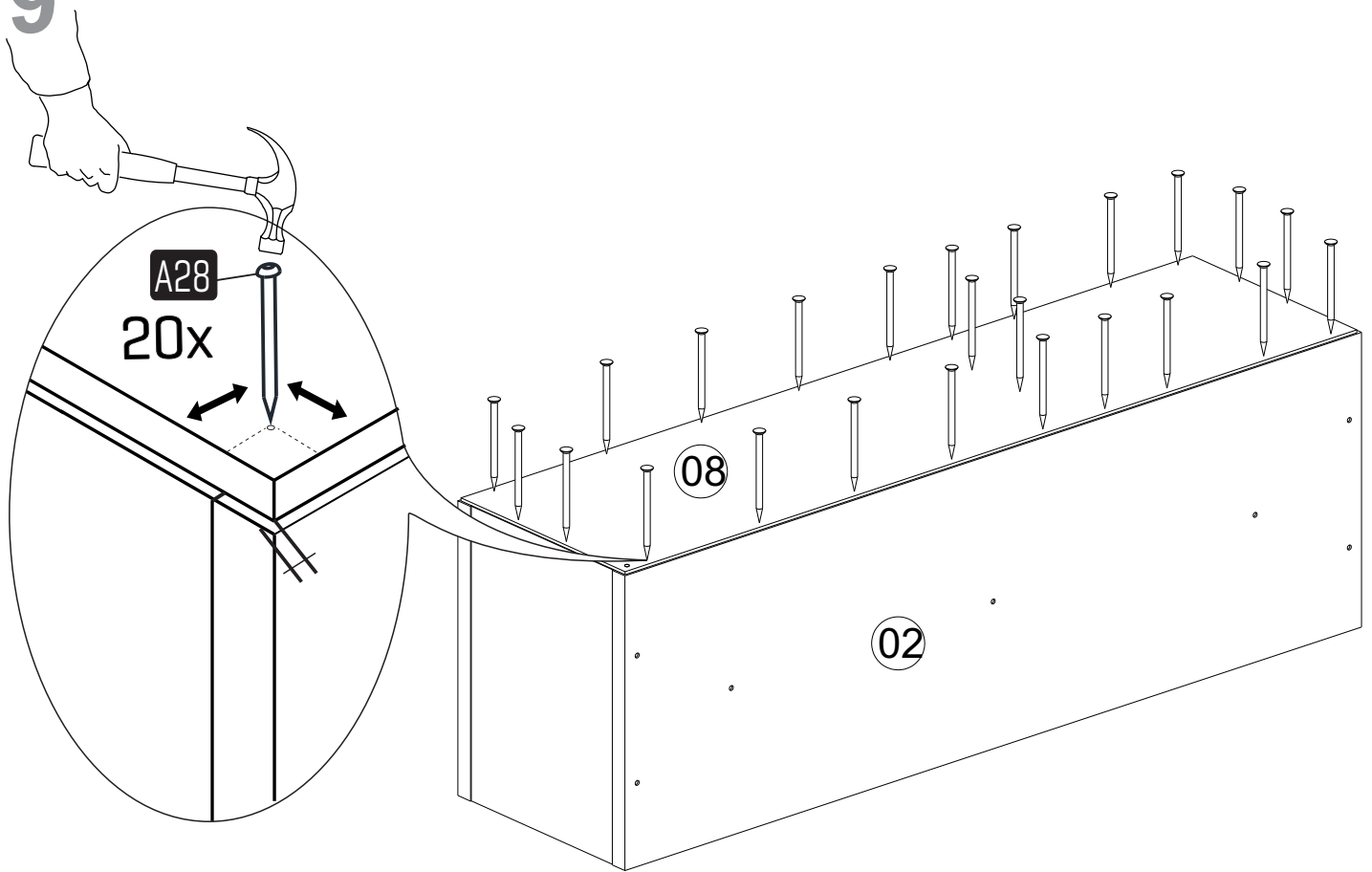
7



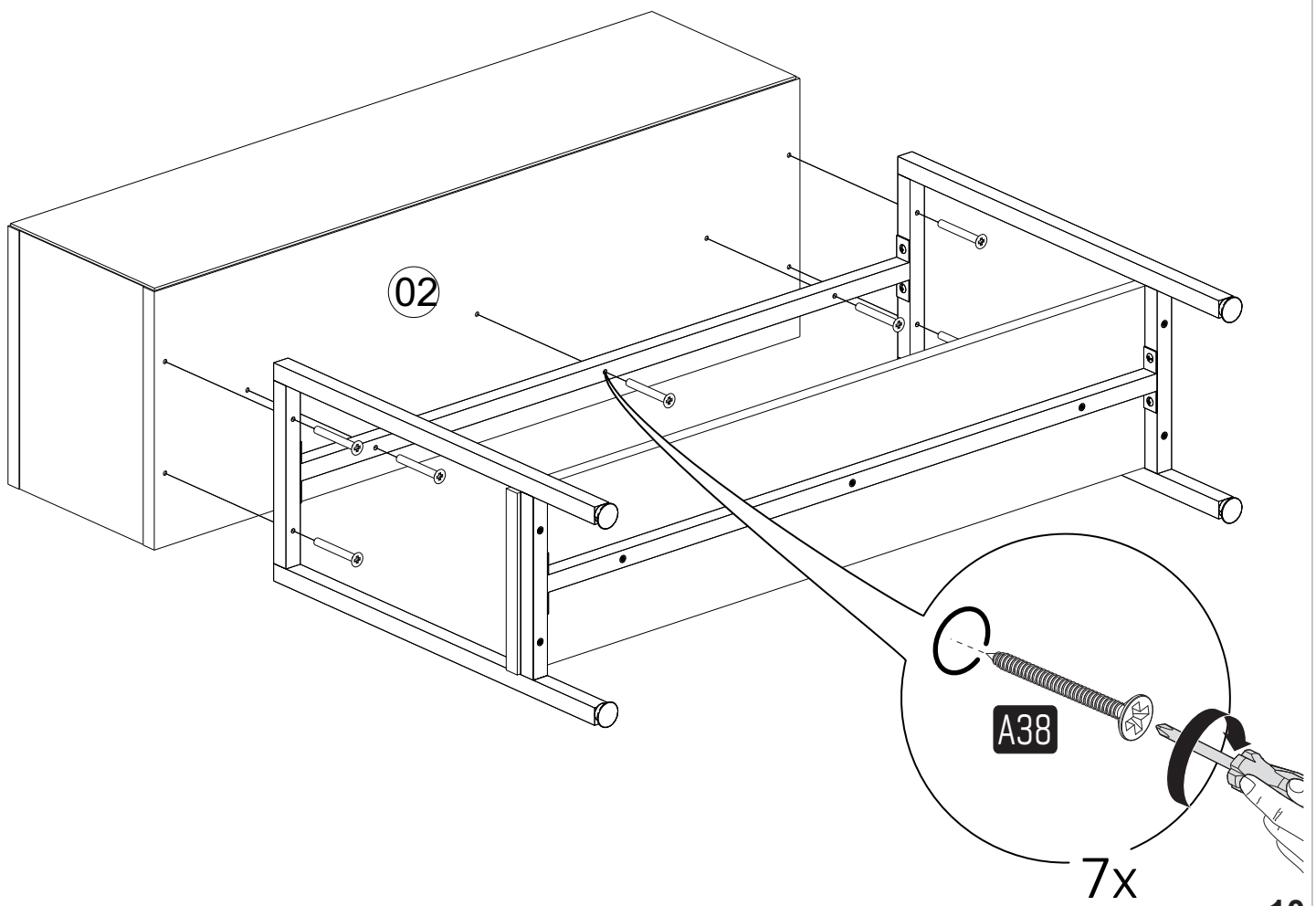
8



9

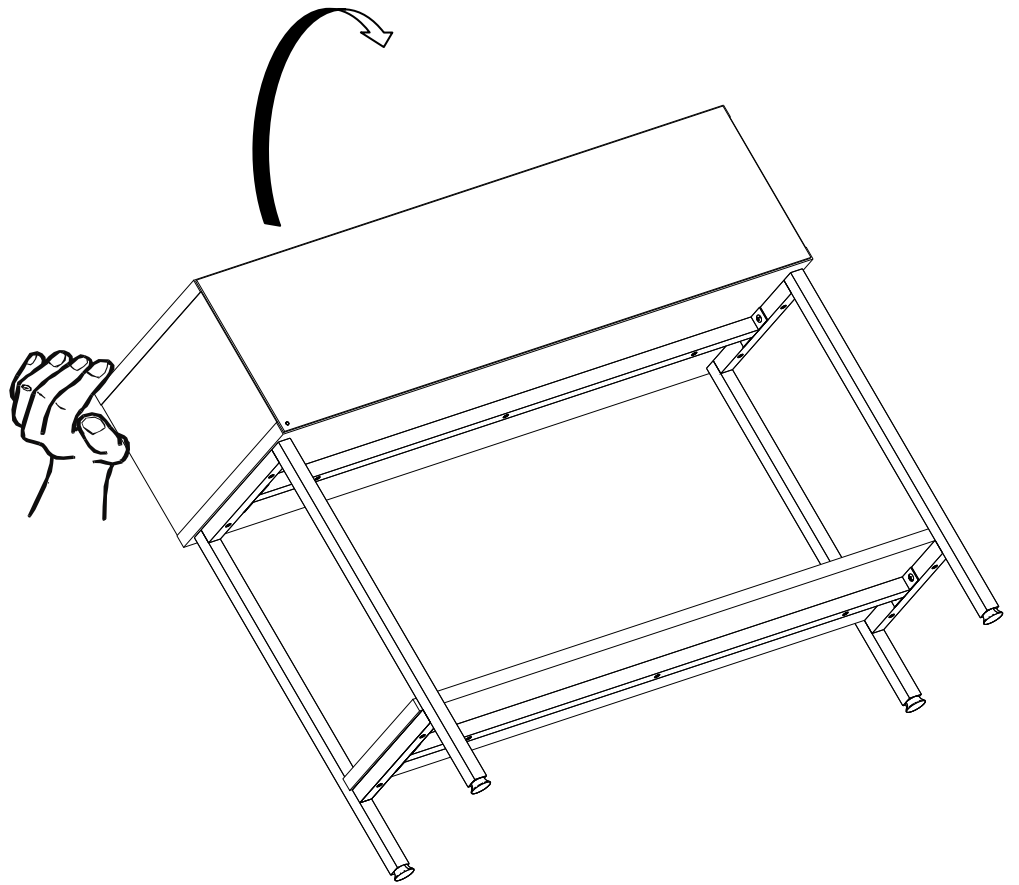
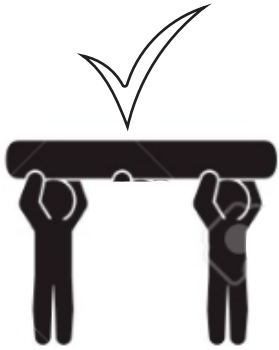


10

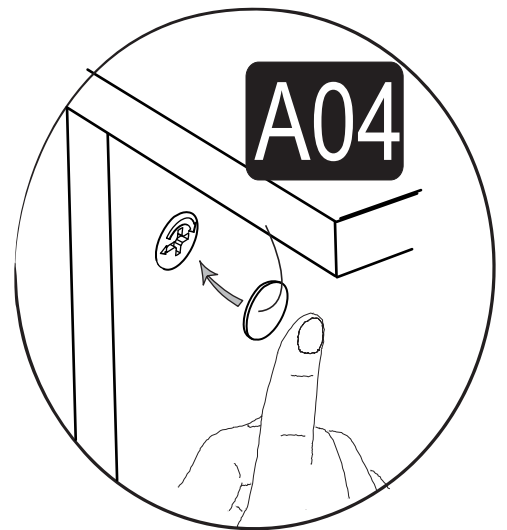
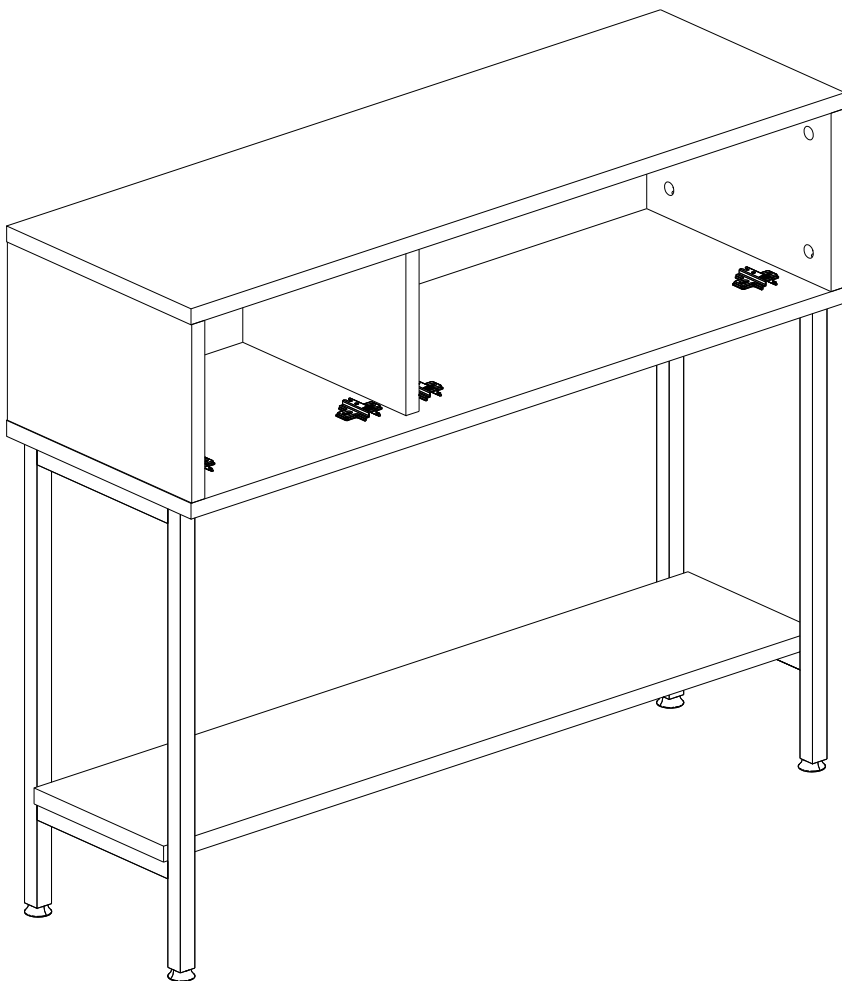


10

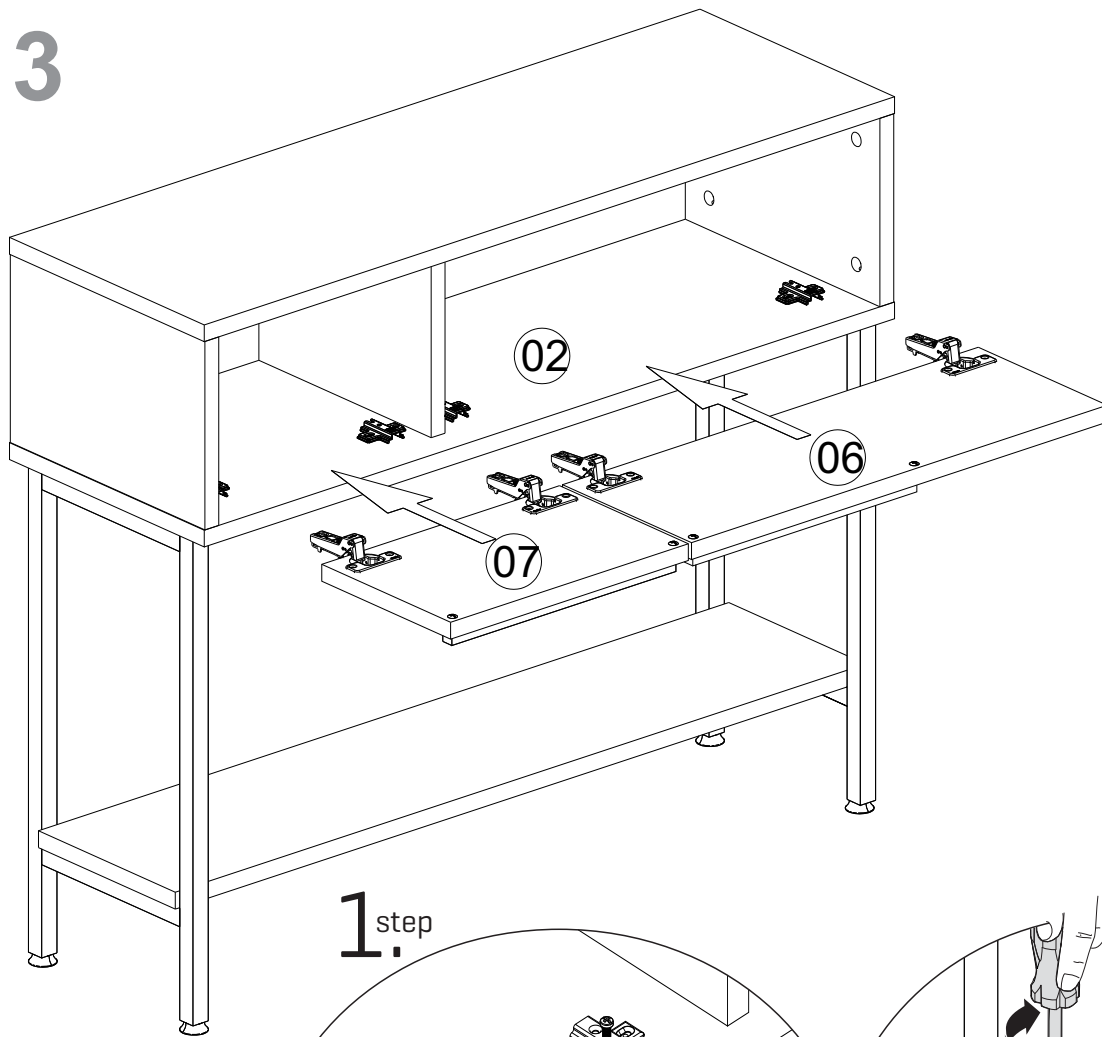
11



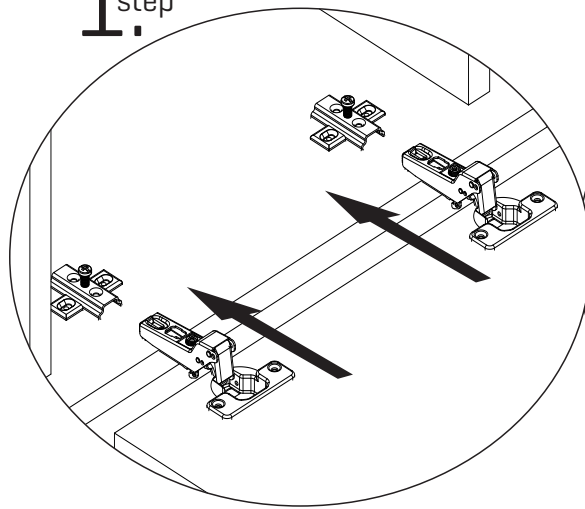
12



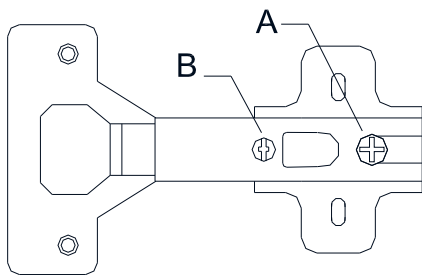
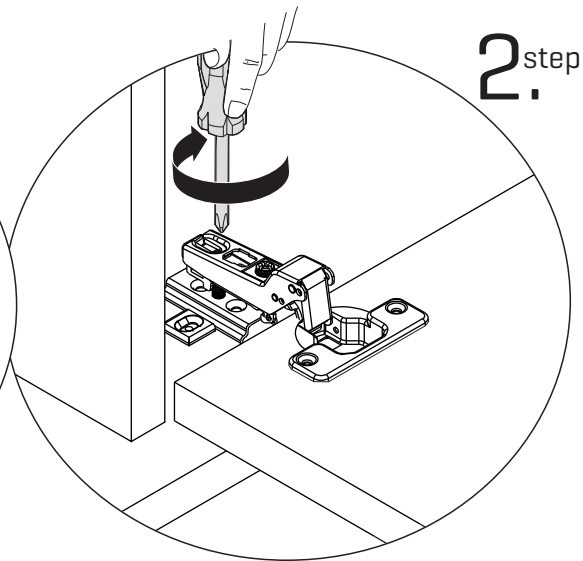
13



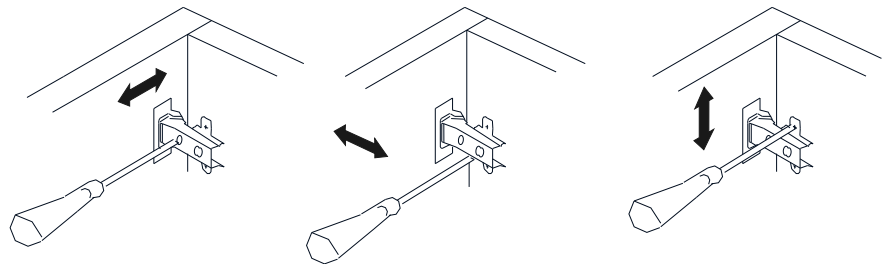
1. step



2. step



A= to connect the hinge to the door
B= to arrange the door



arrows to show the directions for arrangement of doors.