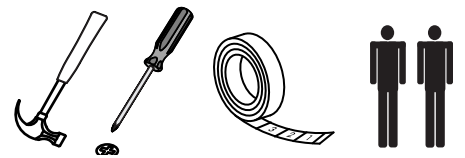
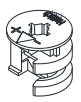
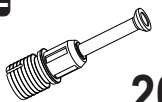
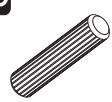
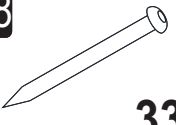
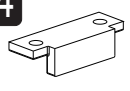
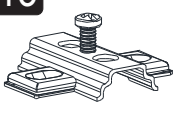
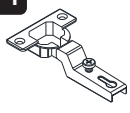

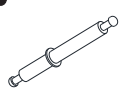

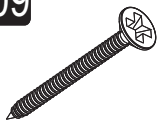

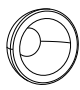



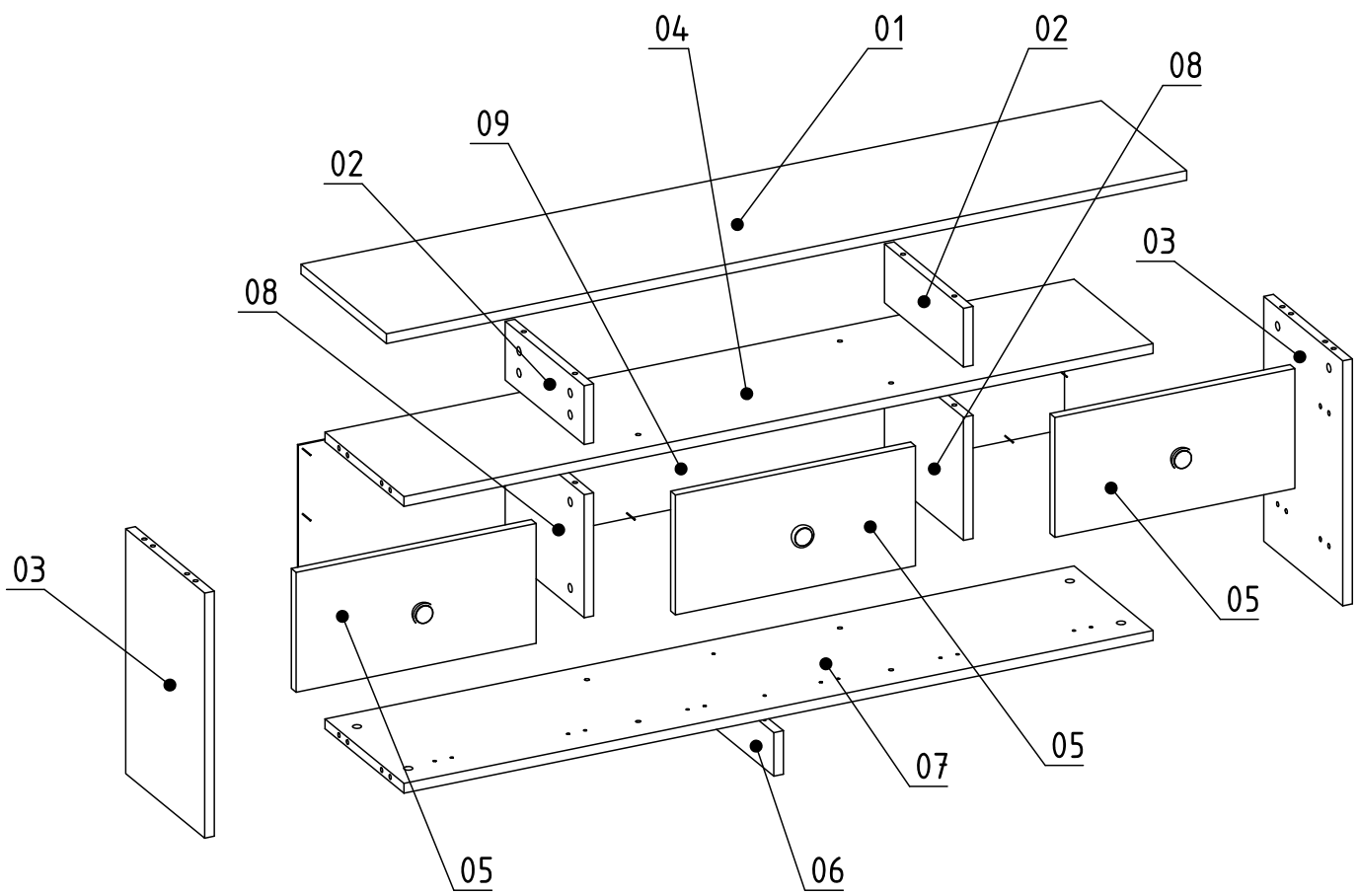
i GP042-0262,1



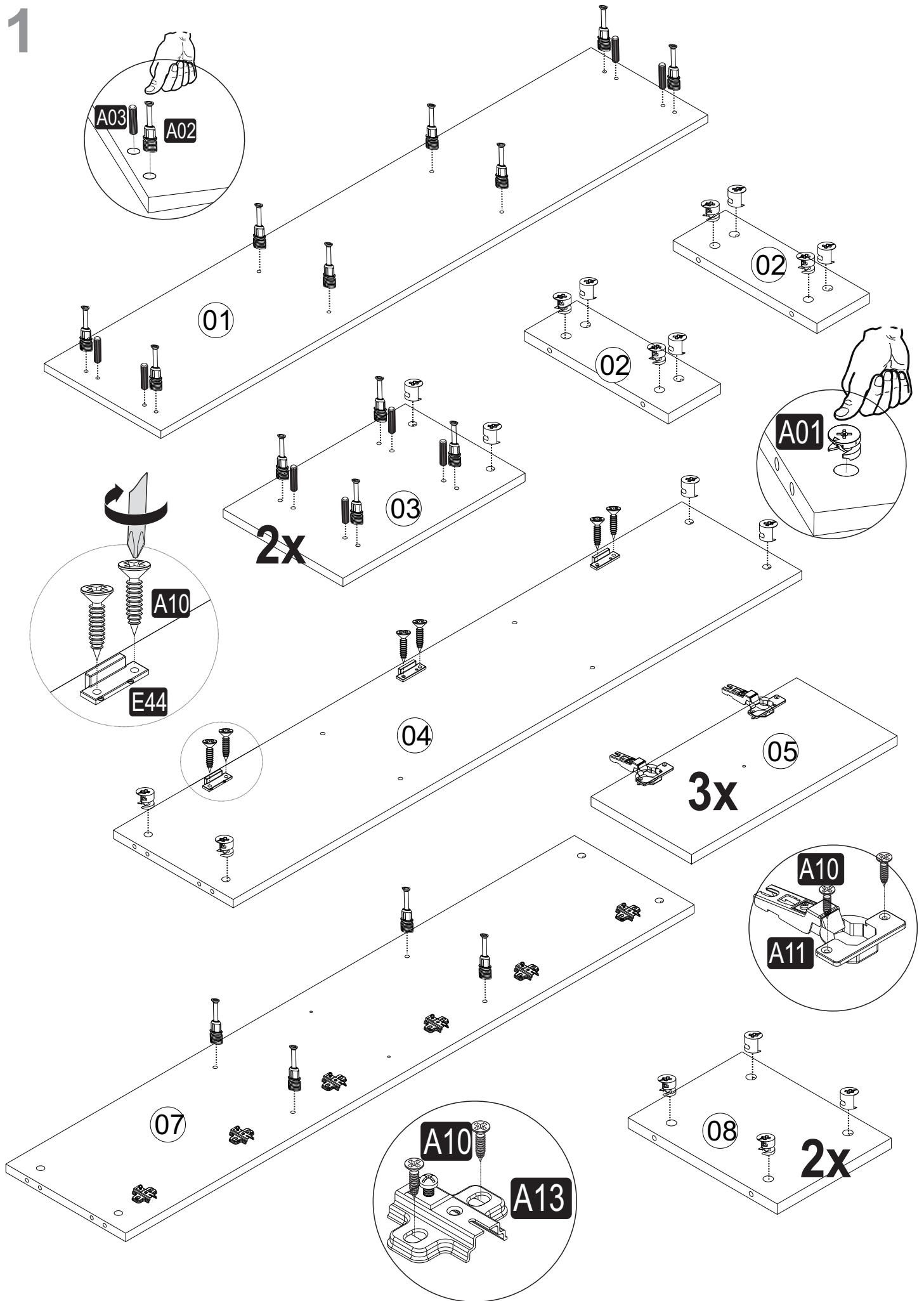
140 x 35 x 49,8cm



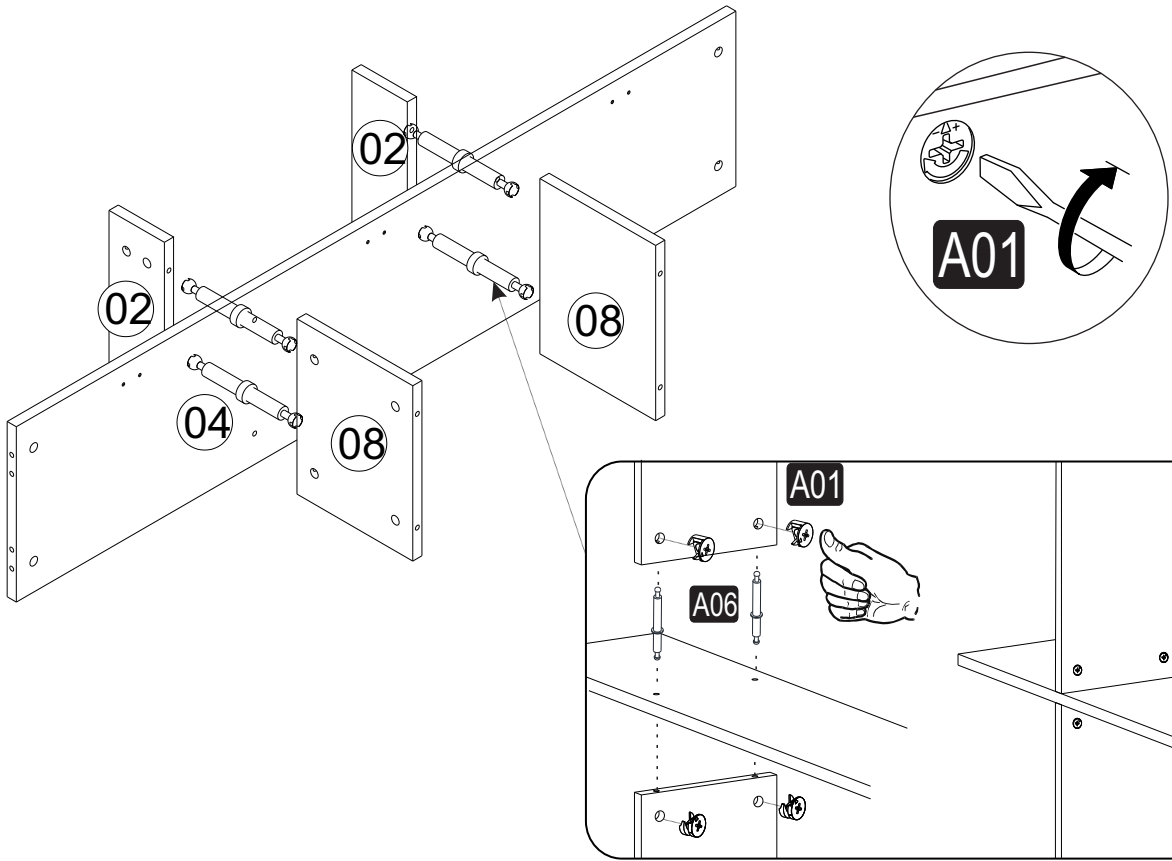
A01  28x	A02  20x	A03  12x	A28  33x	E44  3x
A13 MA  6x	A11 SPM  6x	A04  A 28x	A06 UM(Sgml)  4x	A10 3,5x18 YHB  30x
A09 4x50 YHB  2x	A14 M4x22  3x	F15  3x (Syh)	A16  A 2x	



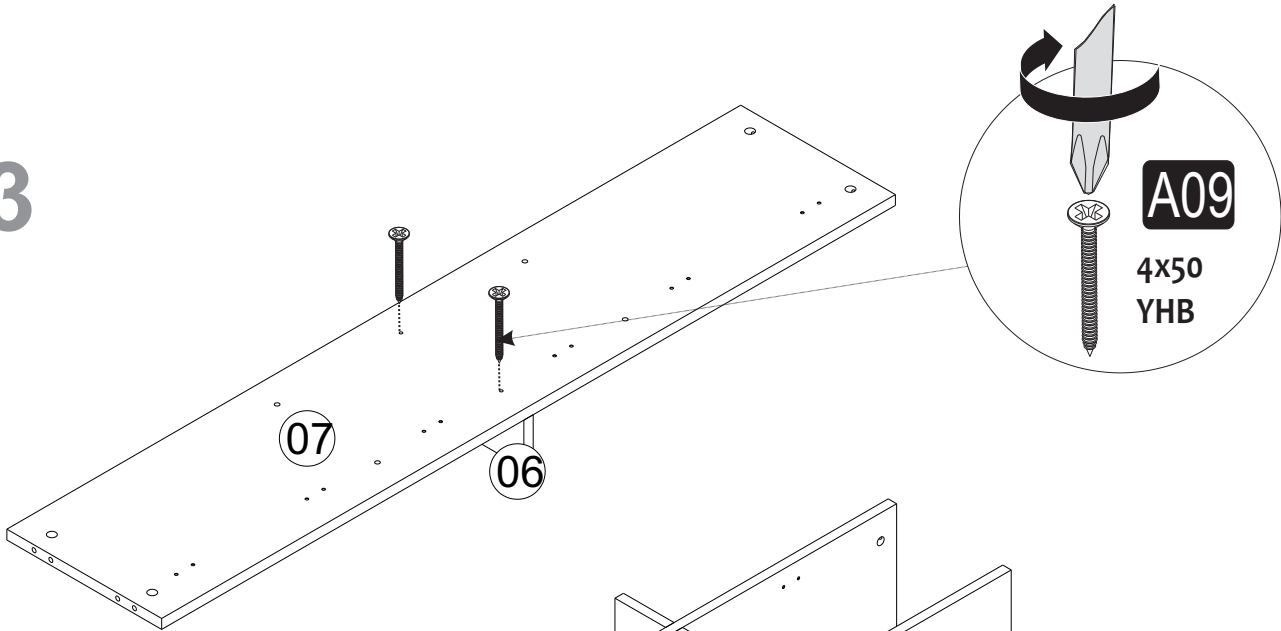
1



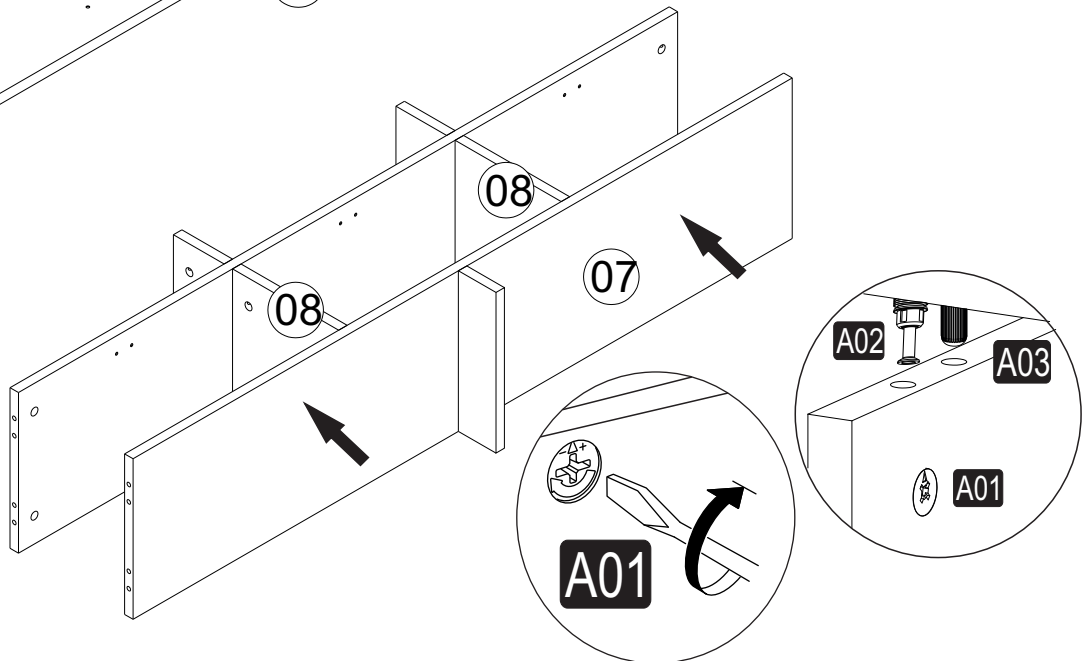
2



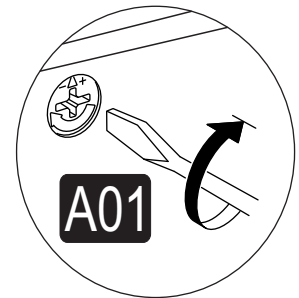
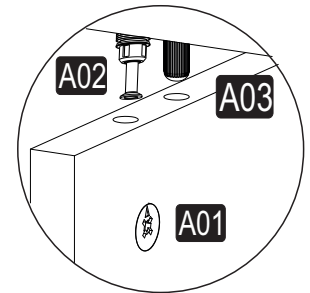
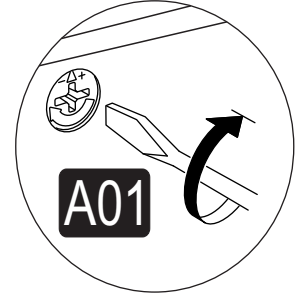
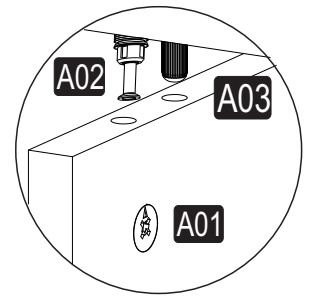
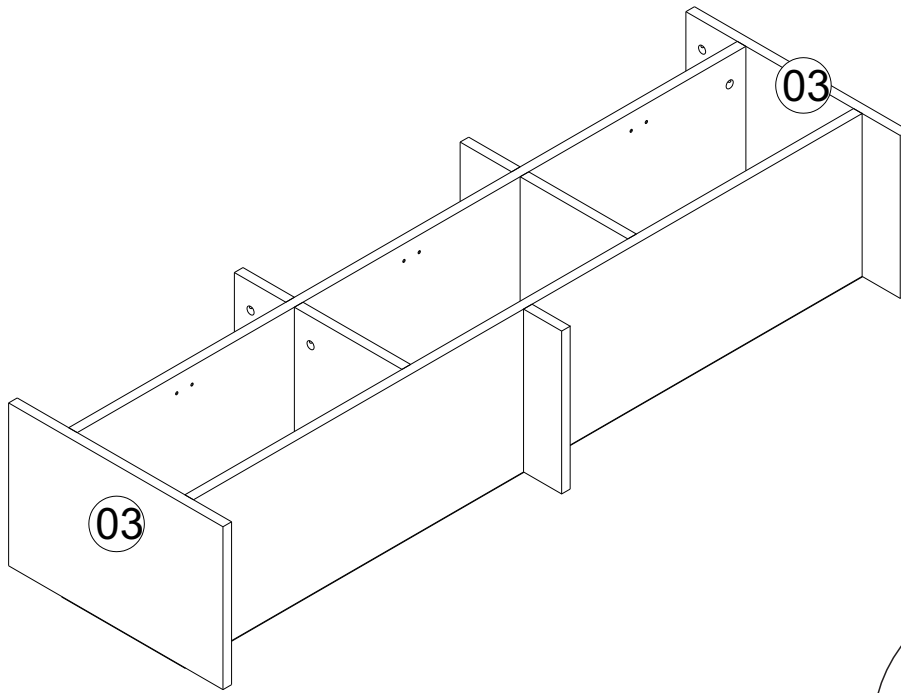
3



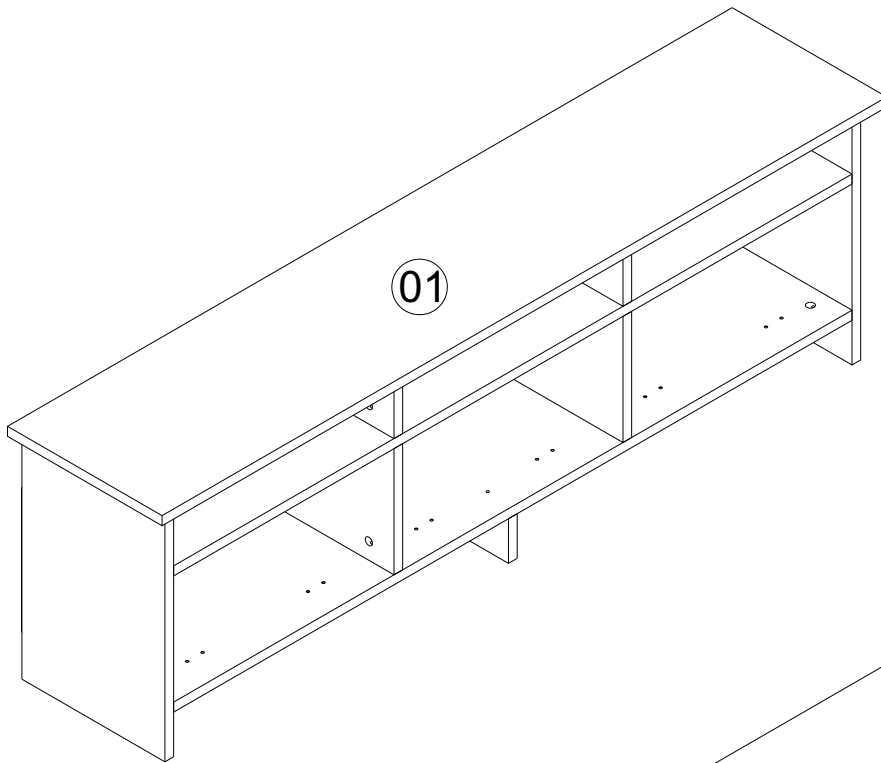
4



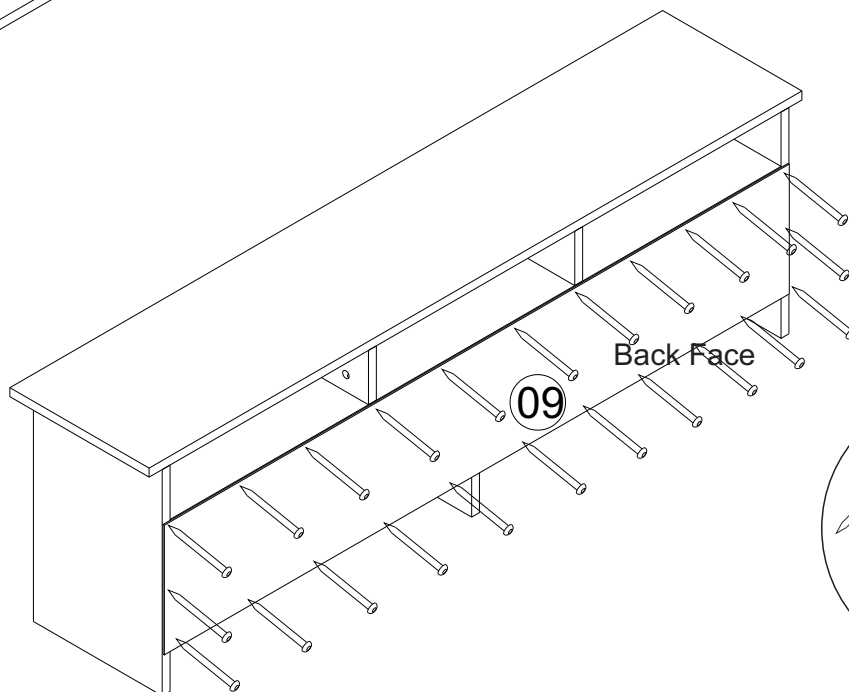
5



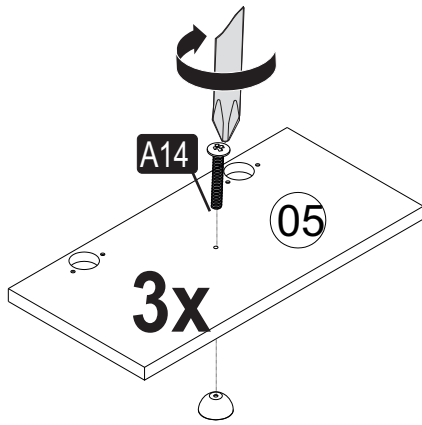
6



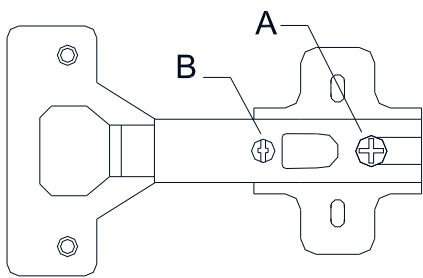
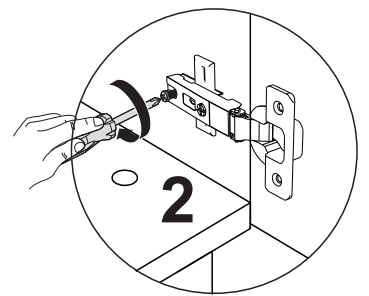
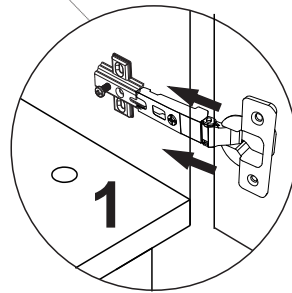
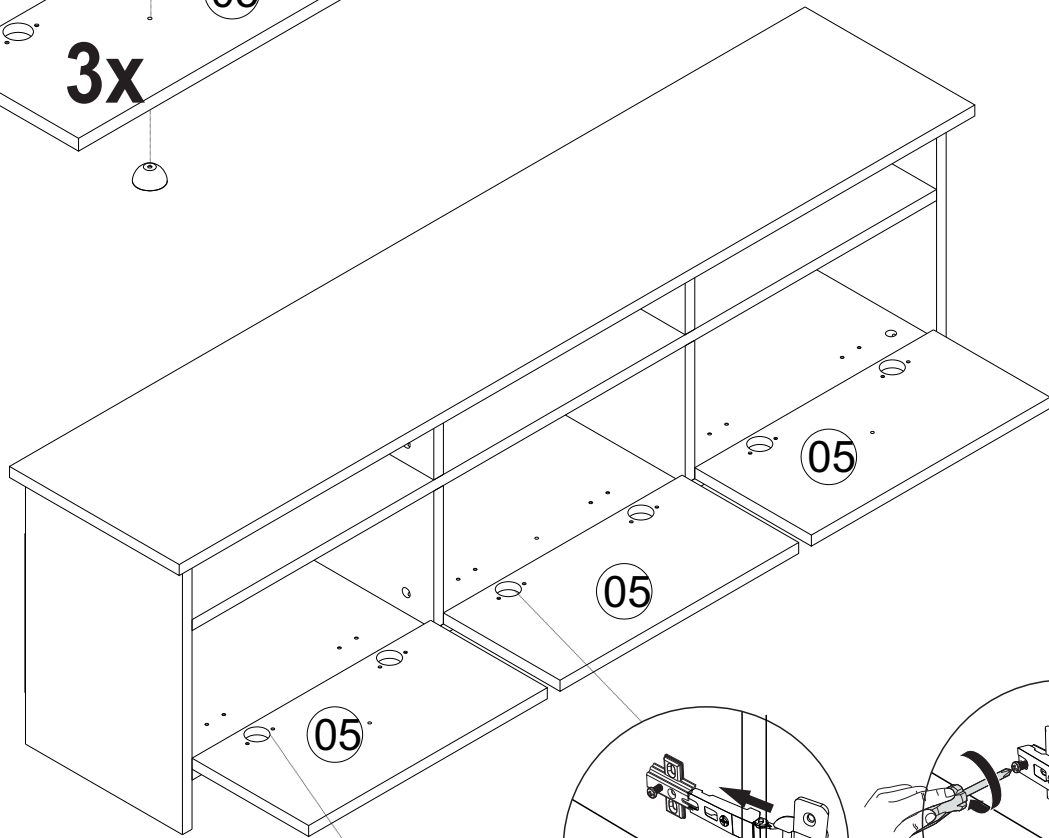
7



8

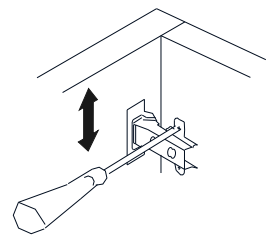
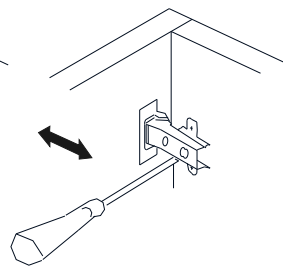
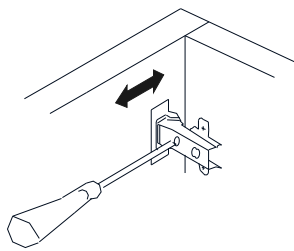


9



A=
B=

to connect the hinge to the door
to arrange the door



arrows to show the directions for arrangement of doors.