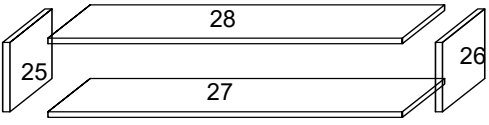
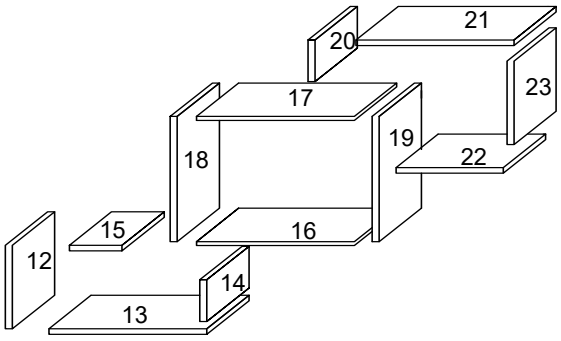


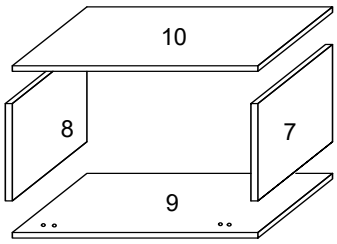
GP028-0026,1



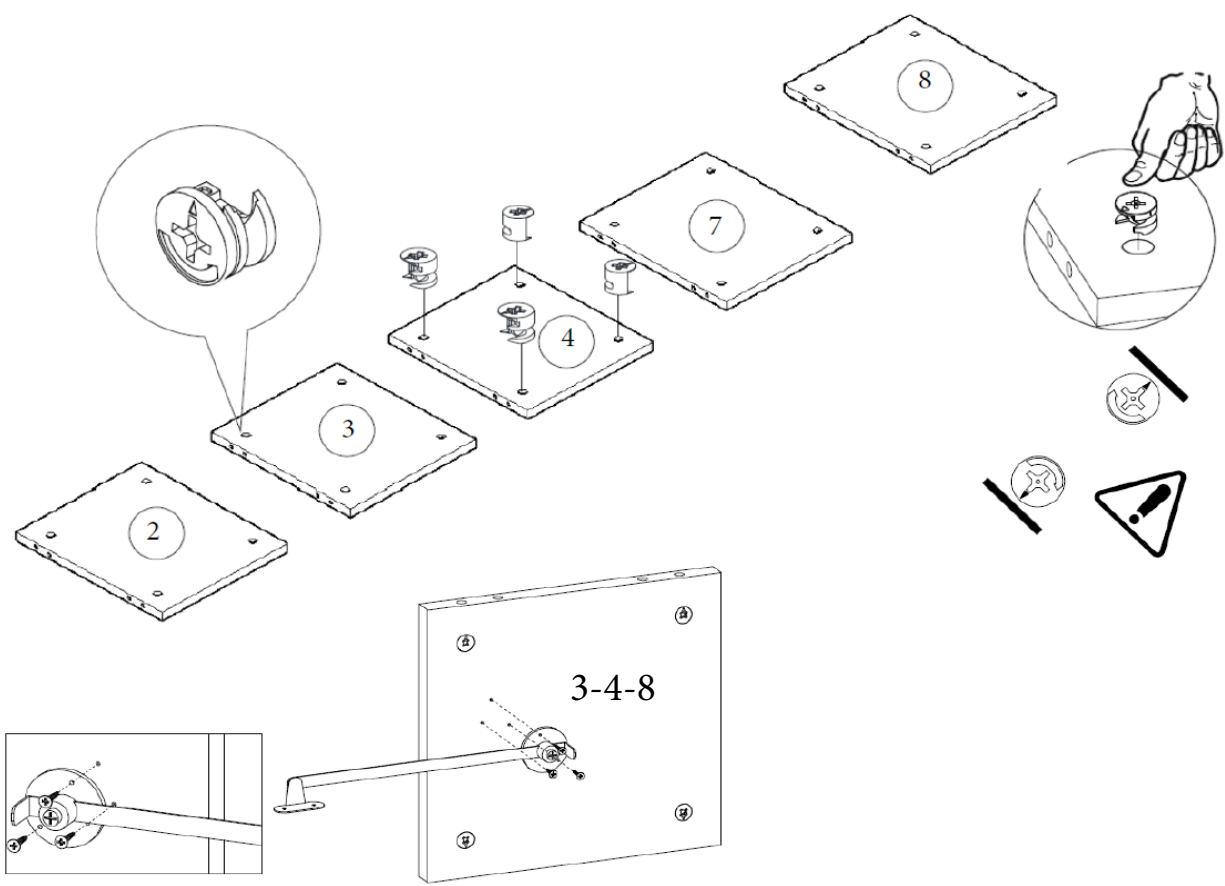
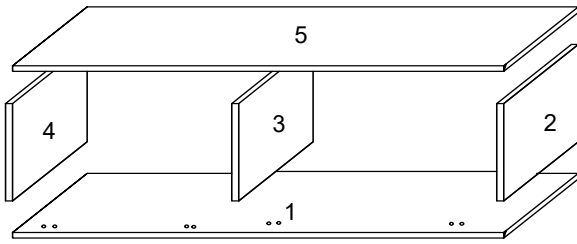
29

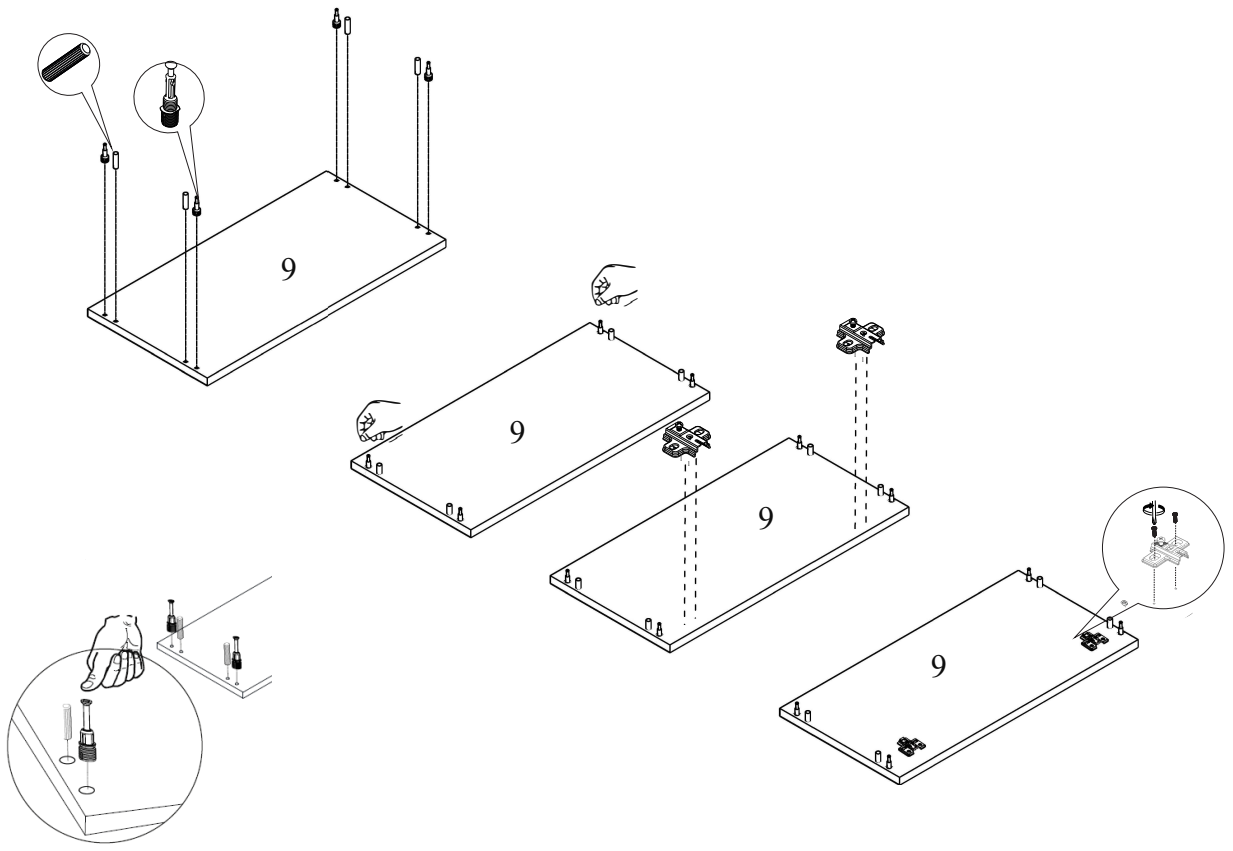
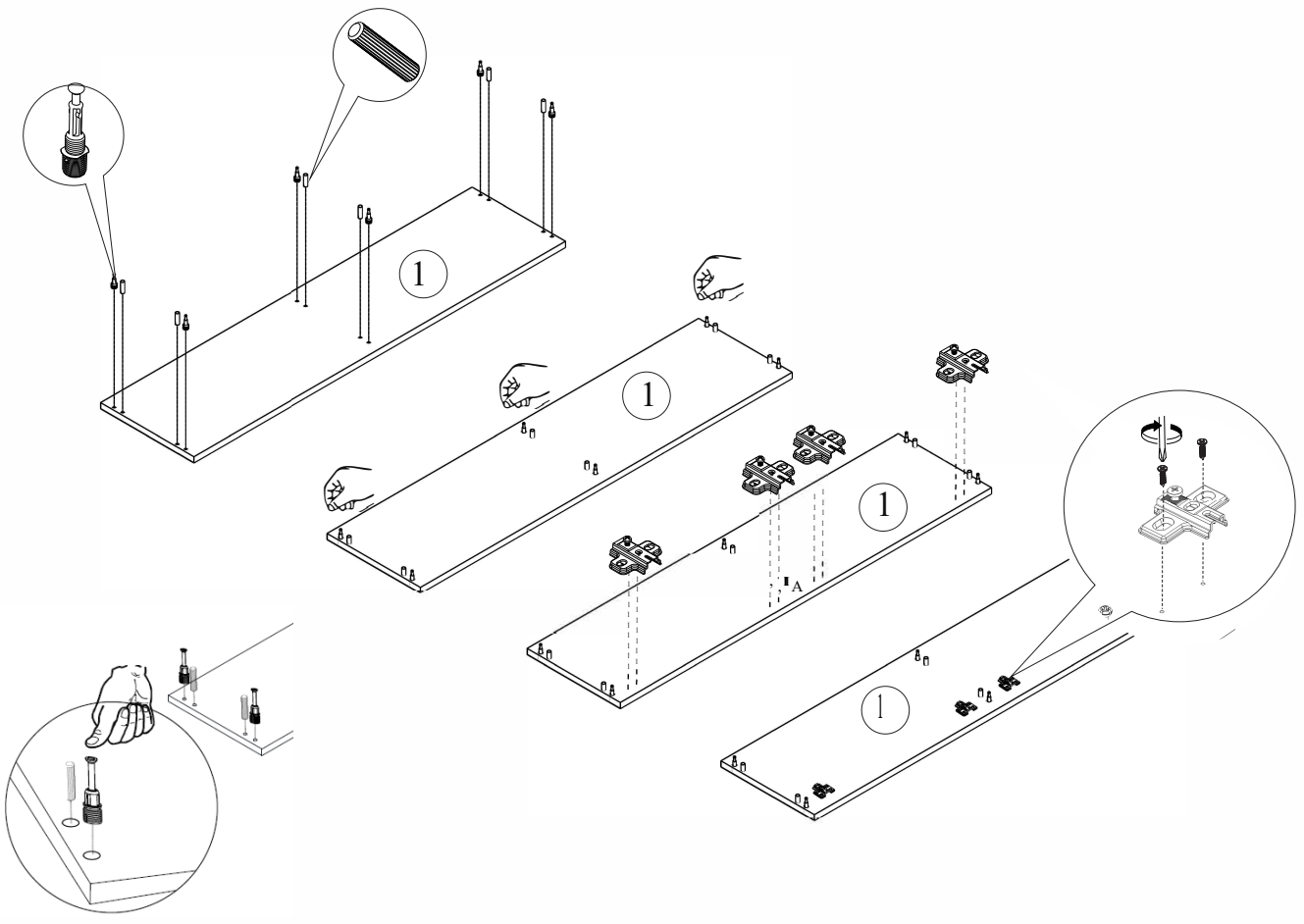


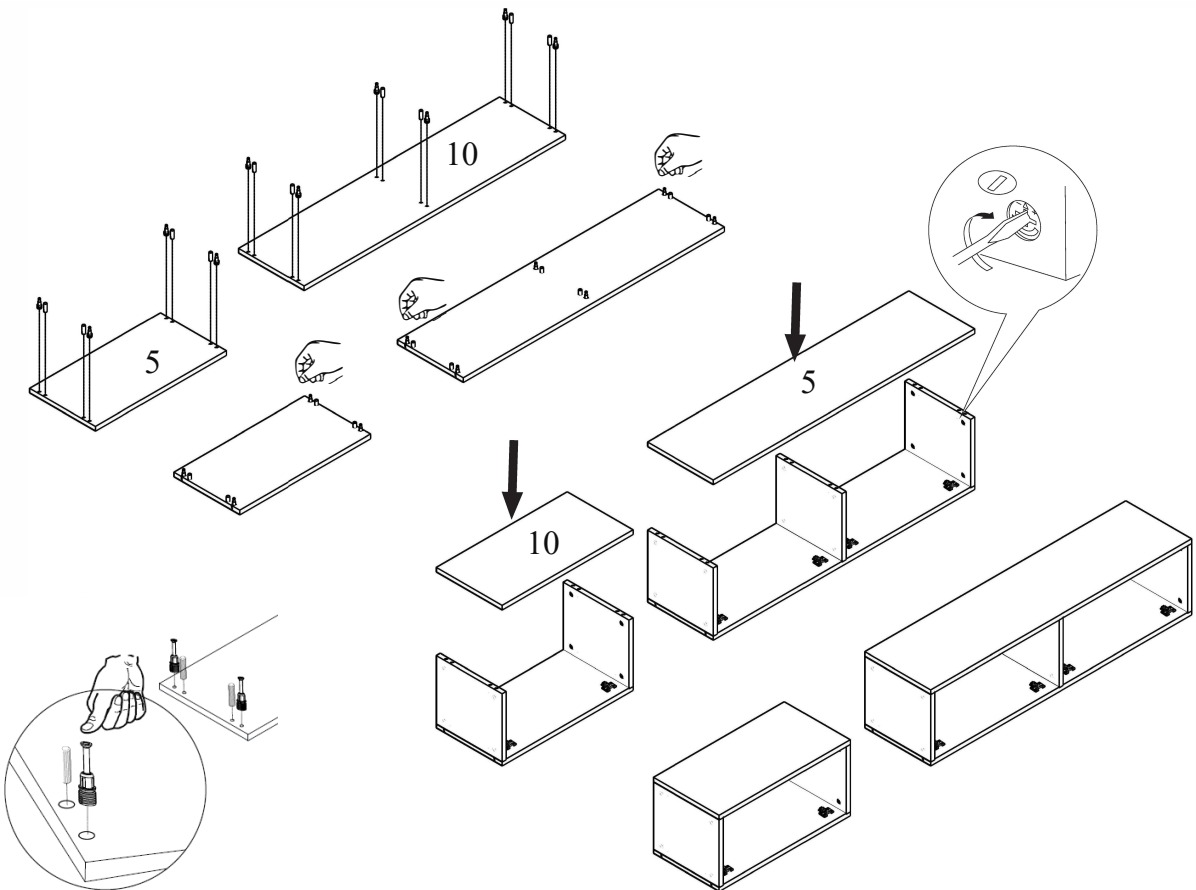
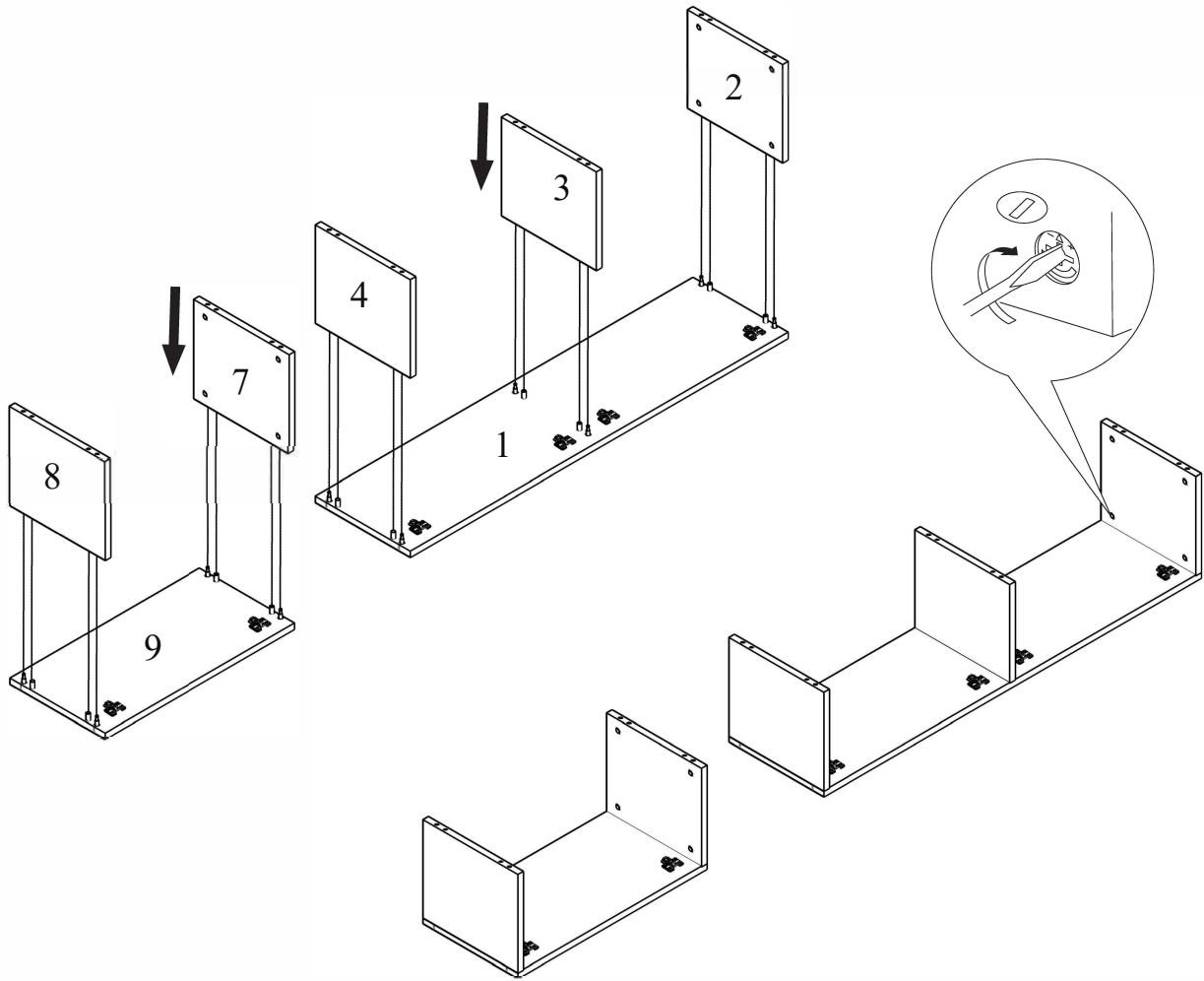
11

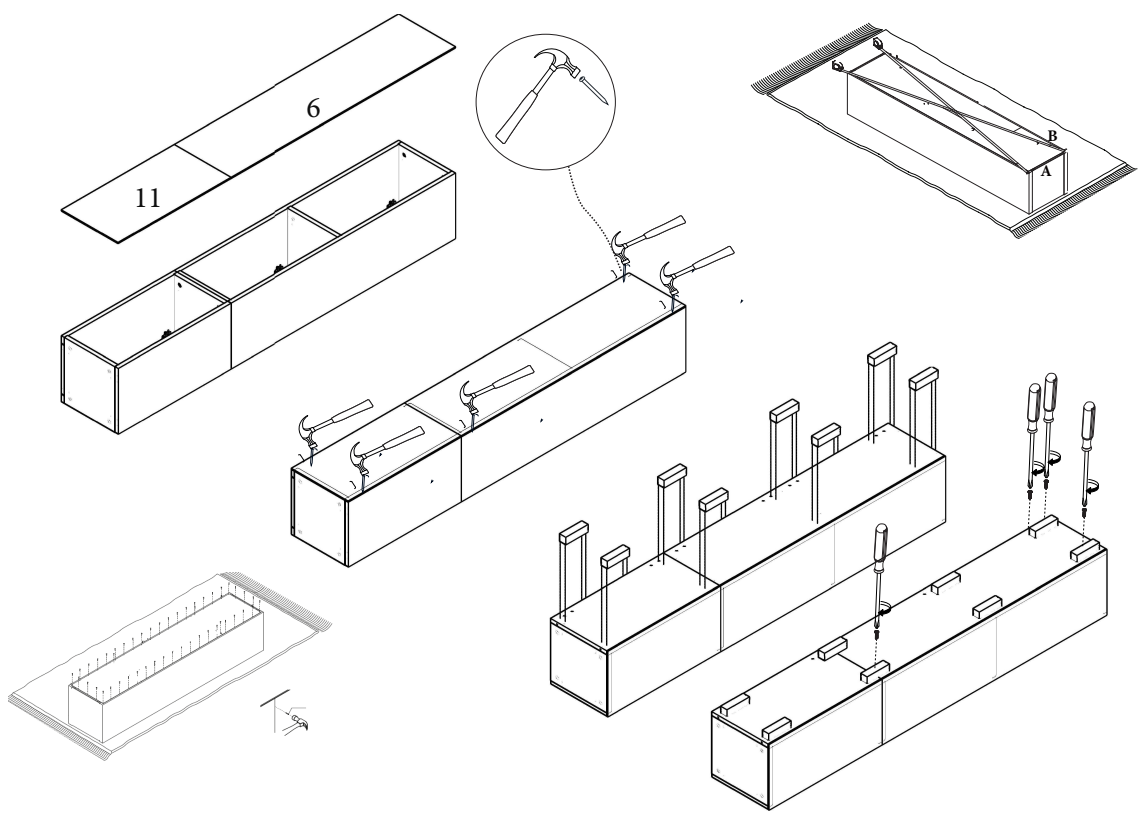
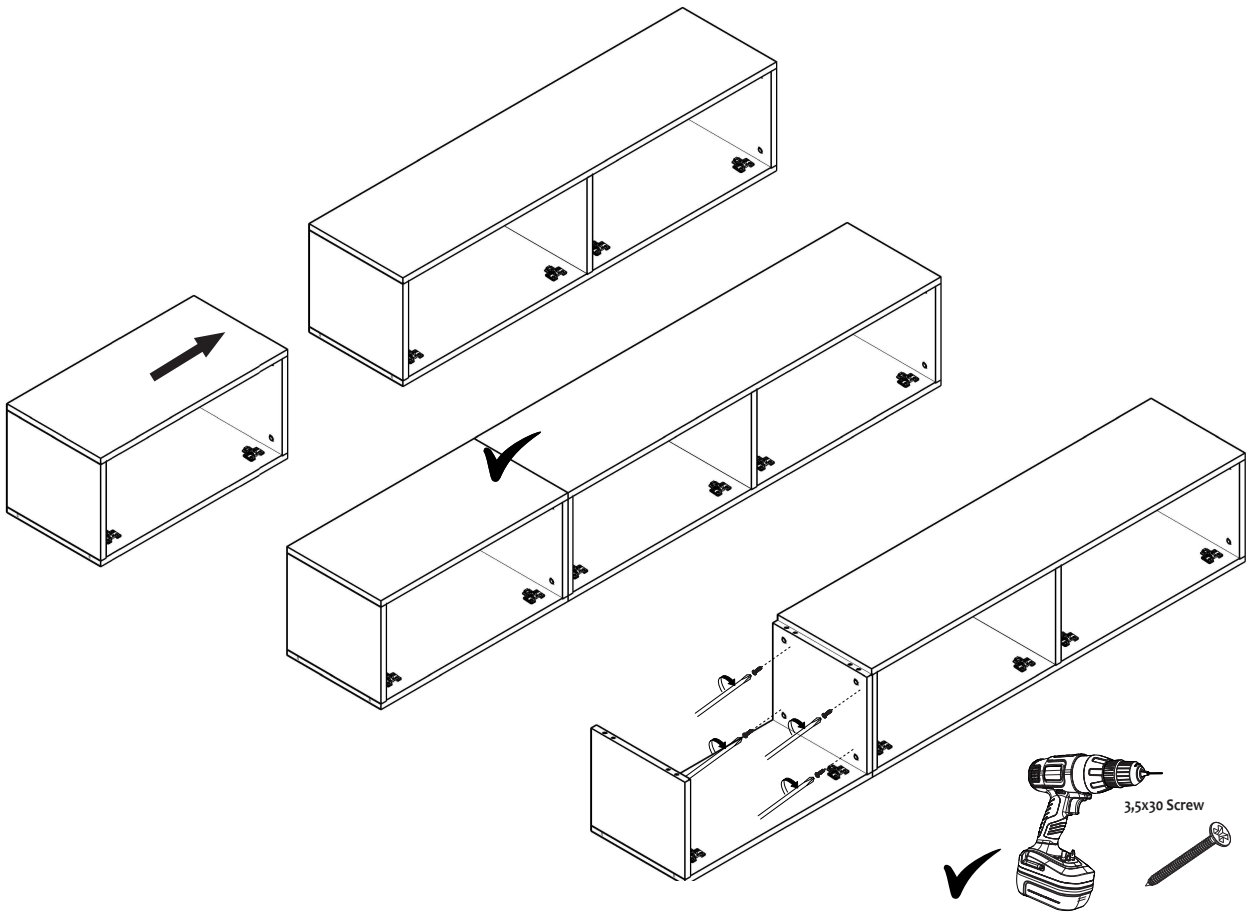


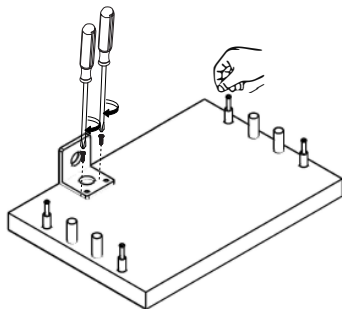
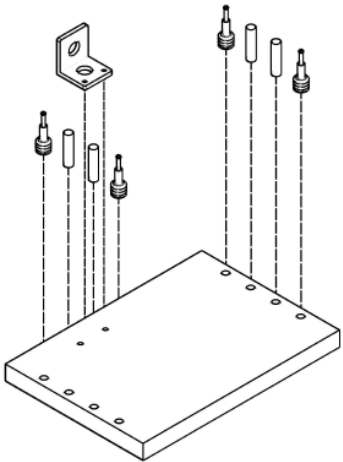
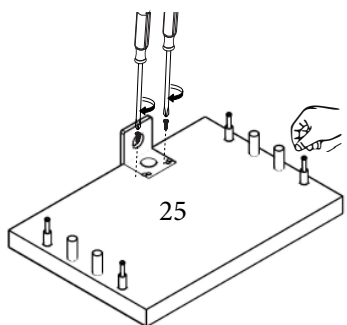
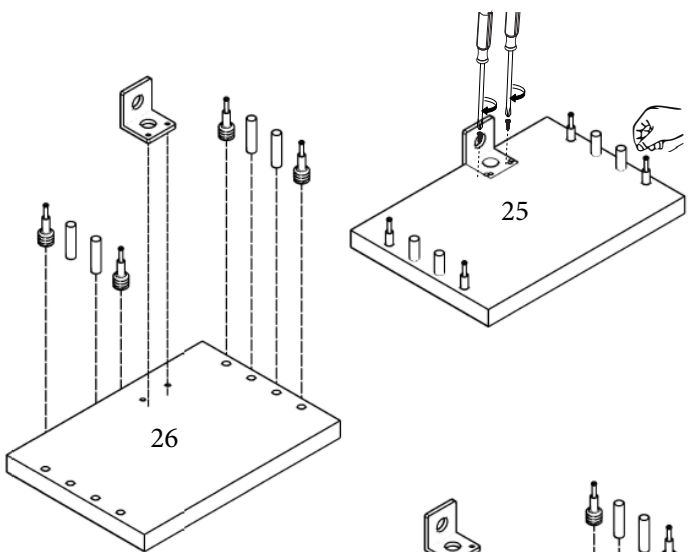
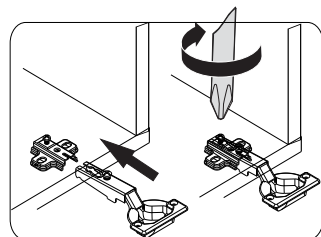
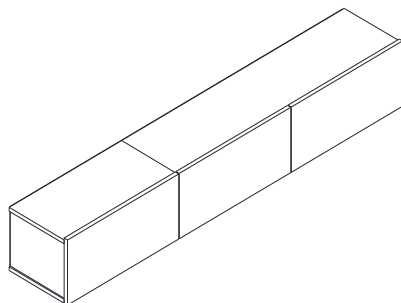
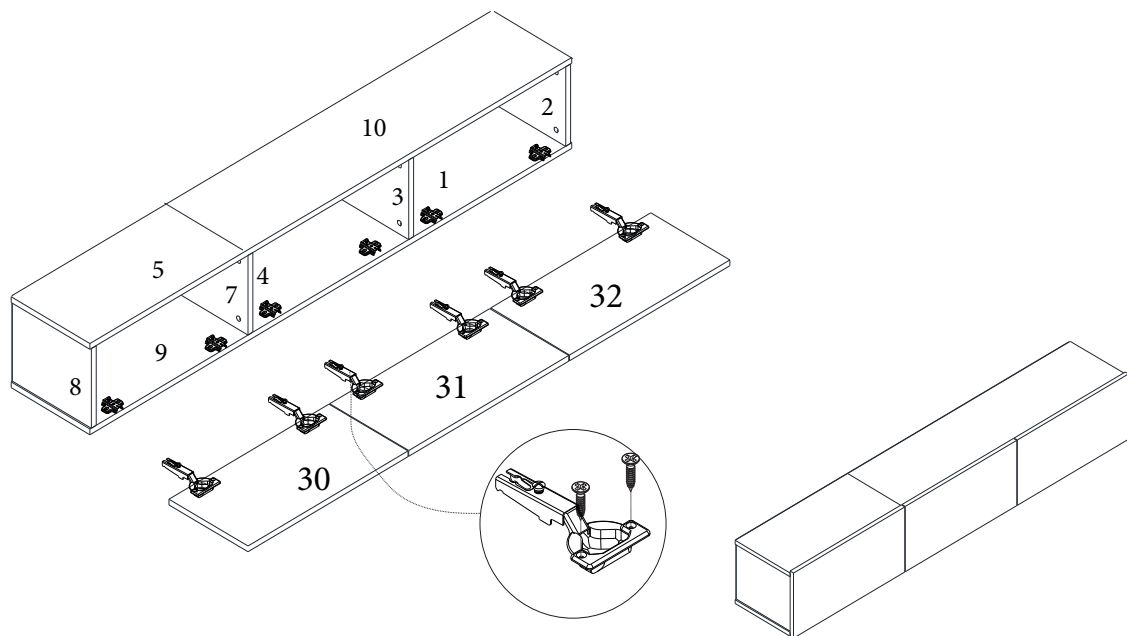
6

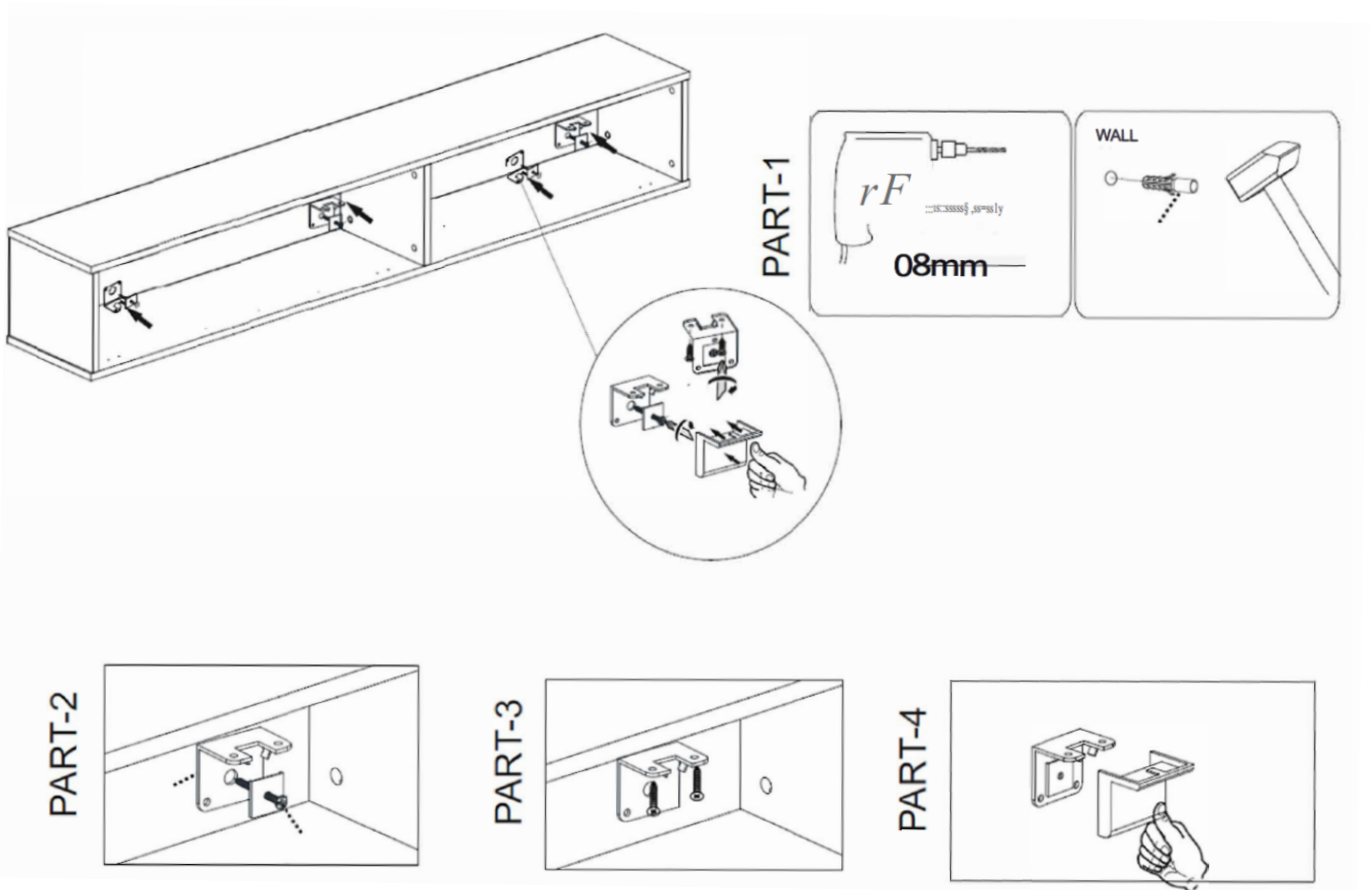
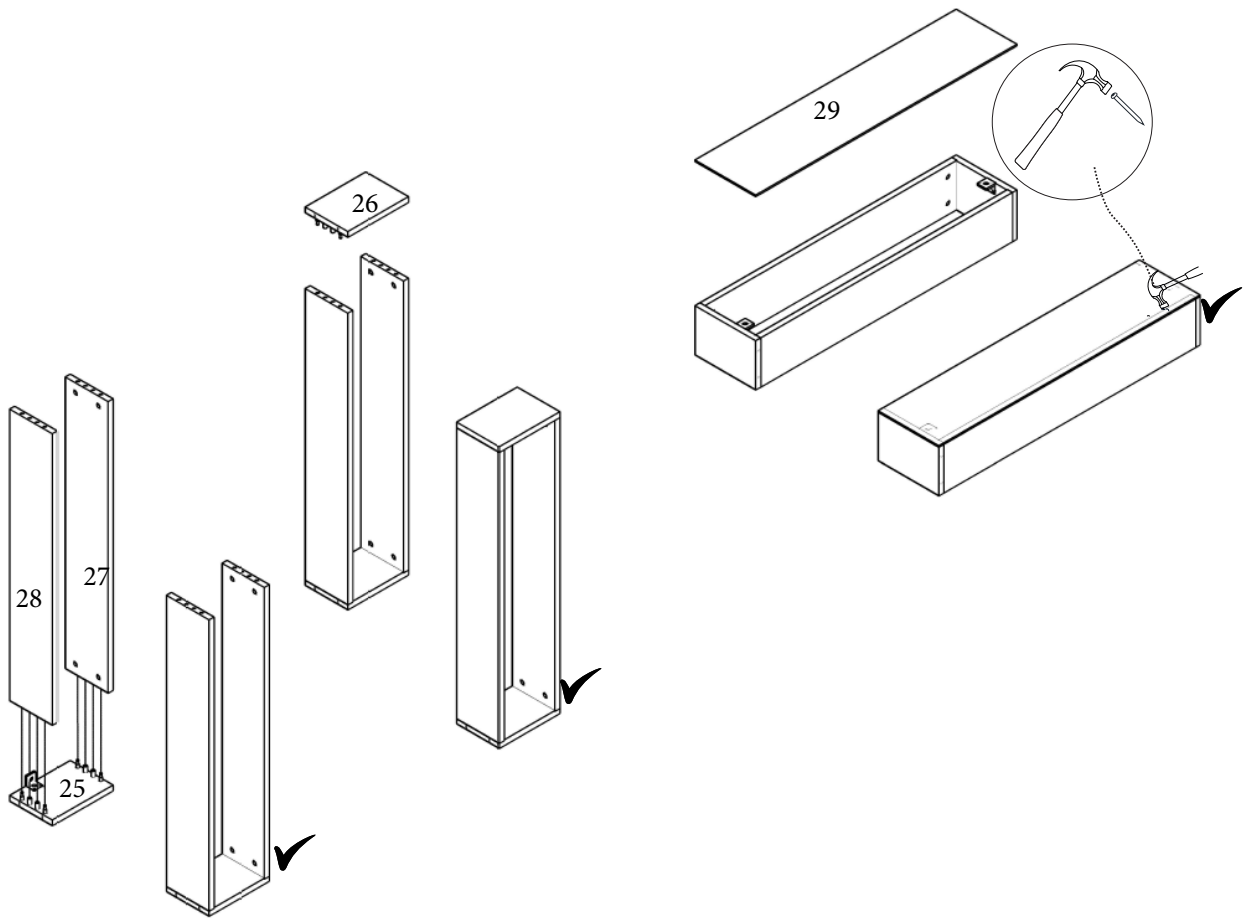


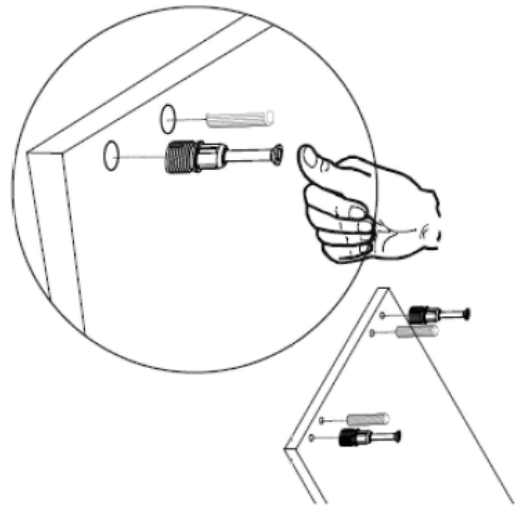
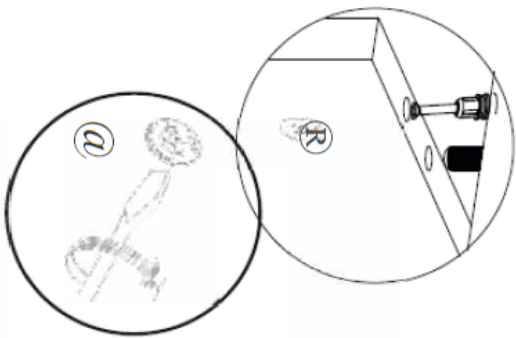
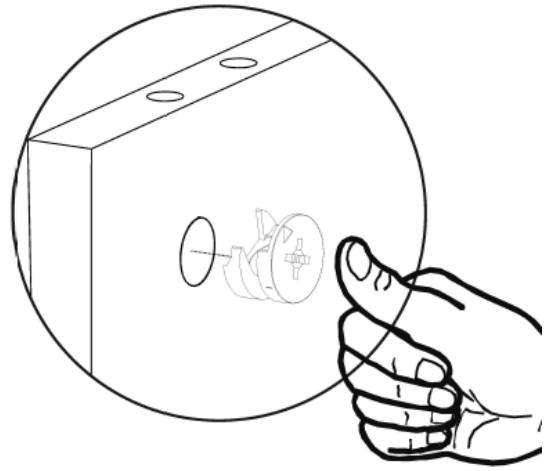
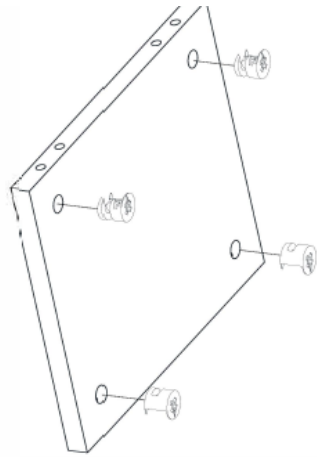












PART-3

PART-2

PART-1

