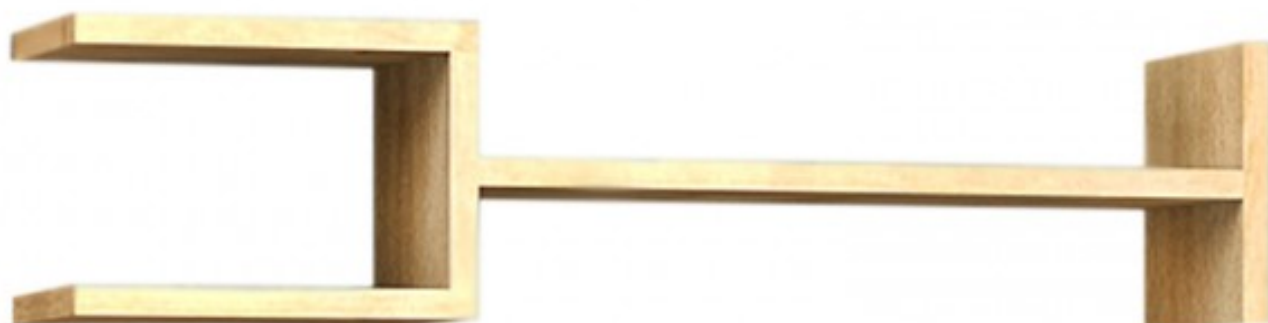


GP028-0054,2



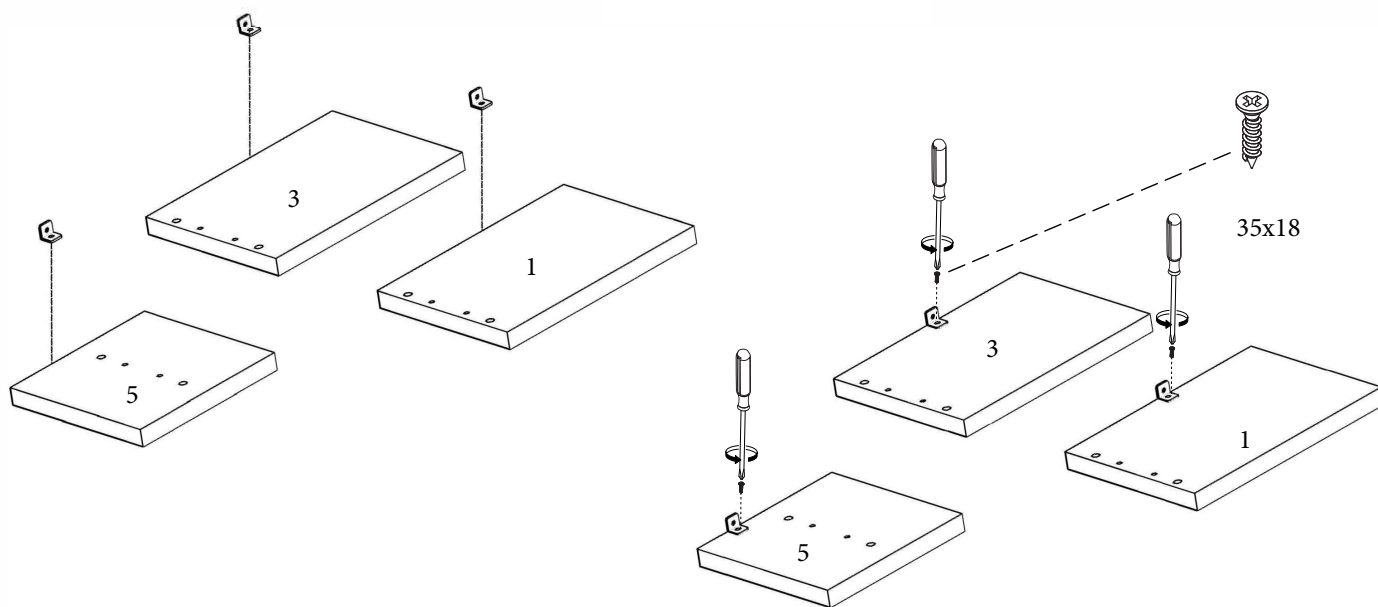


This module should be assembled by two people.

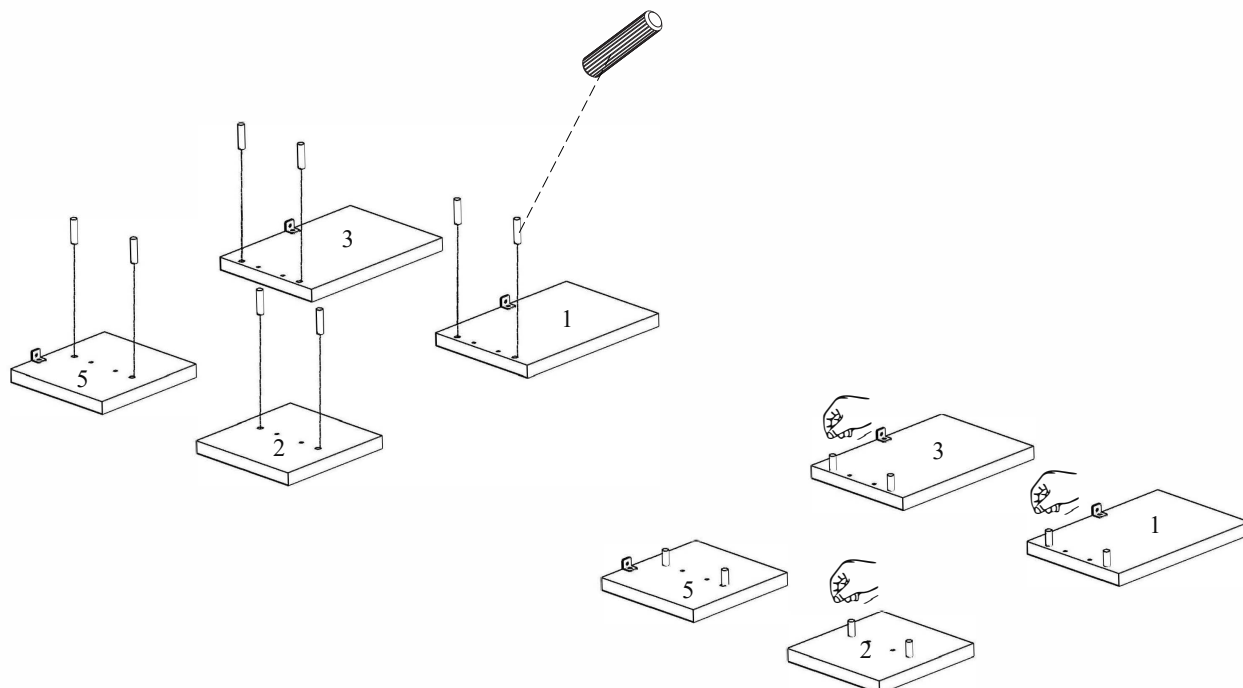


ACCESSORY LIST

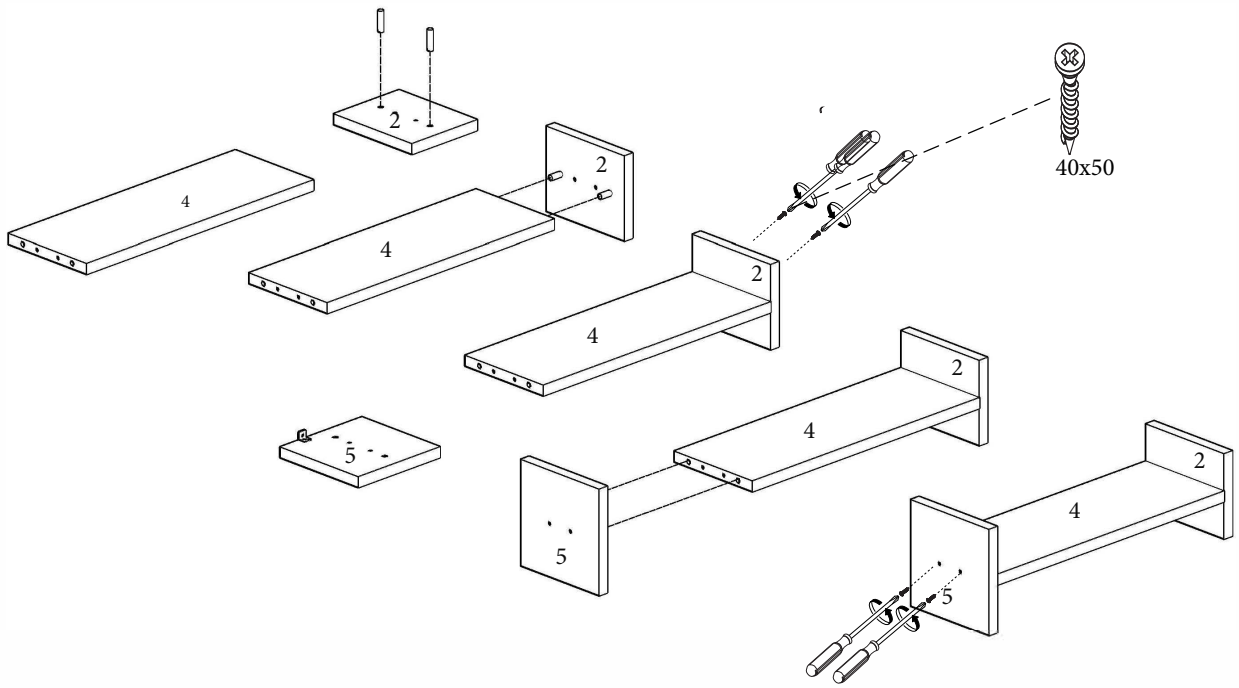
 x3	 x3	 x11	 x3	 x8
	Ø8		3,5x18	18 mm



2



3



4

