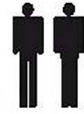


GP028-0055,2

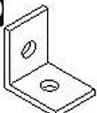
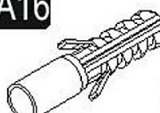



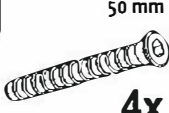





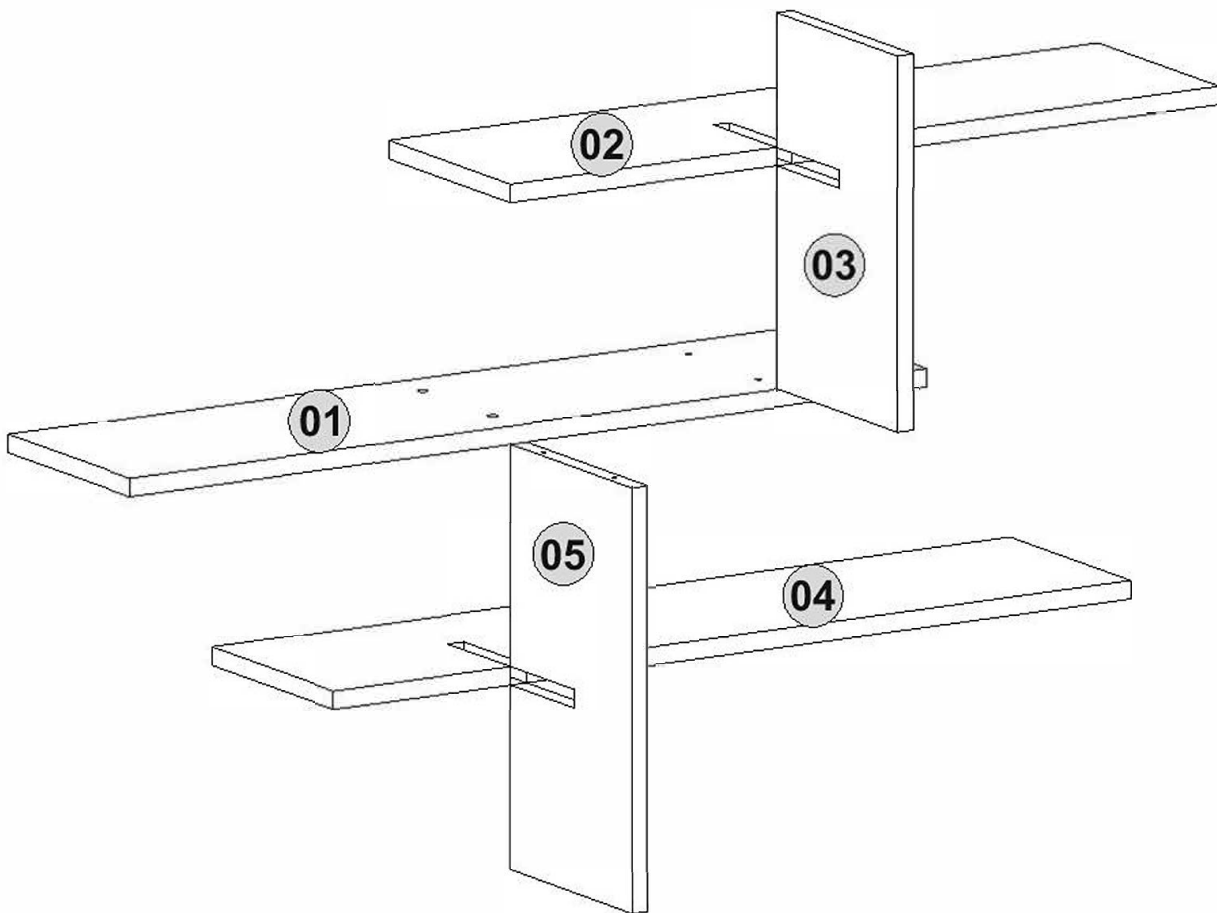
This module should be assembled by two people.



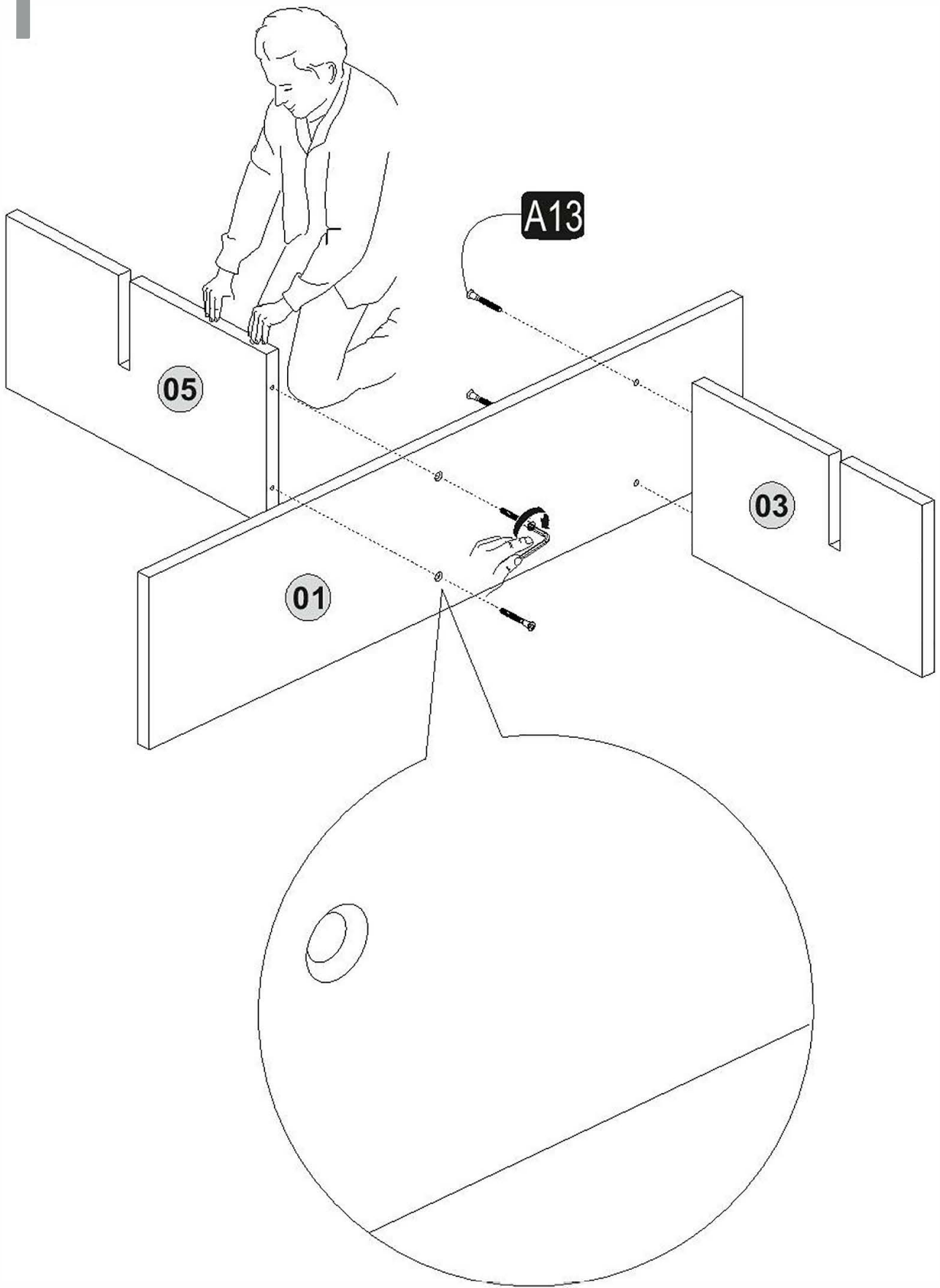
ACCESSORY LIST

A15  -L- 6x	A16  Ø8 6x	A17  4x50 6x	A18  3,5x18 6x	A06  18 mm 4x
A13  50 mm 4x	A12  4 SW 1x			

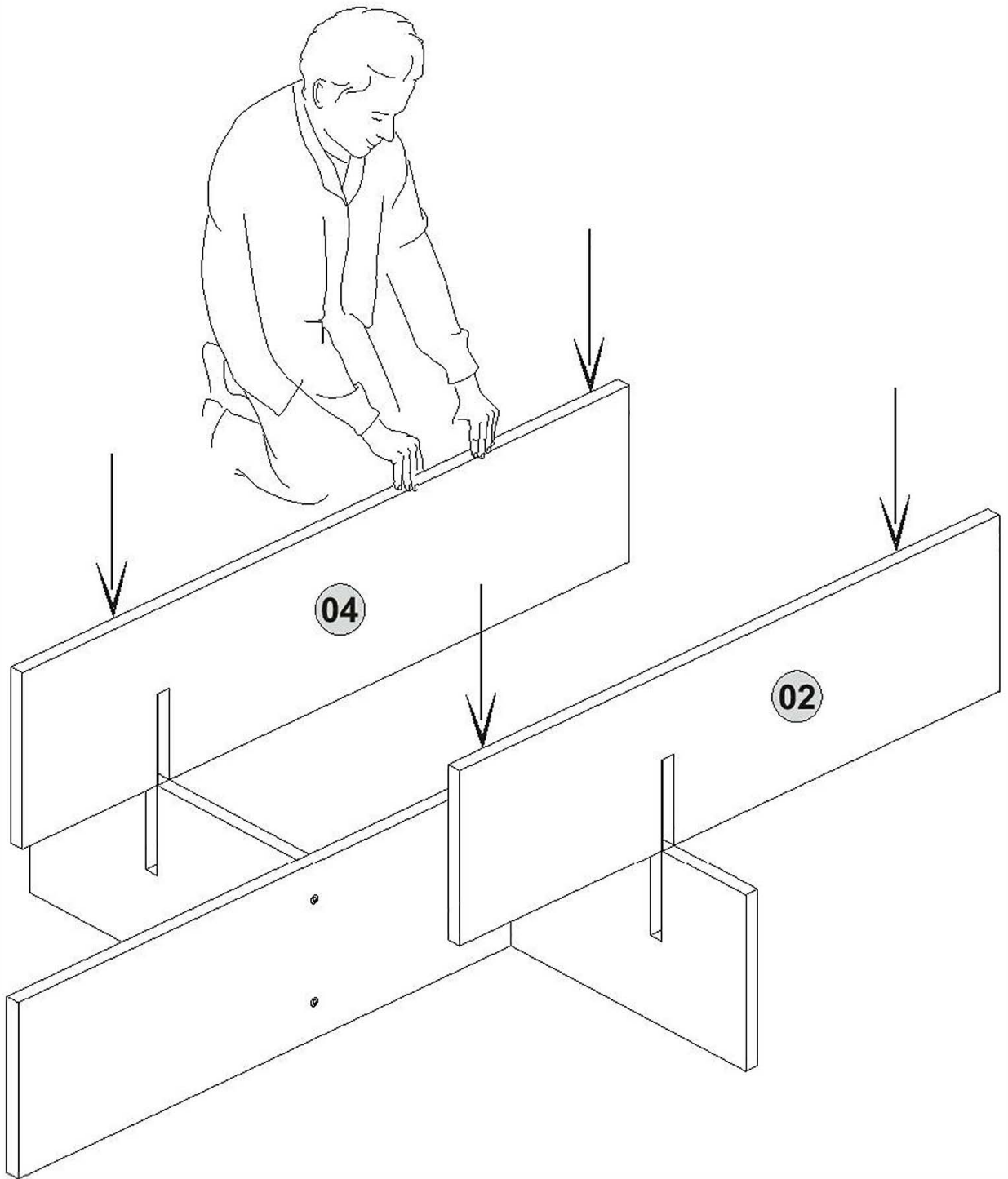
GENERAL VIEW



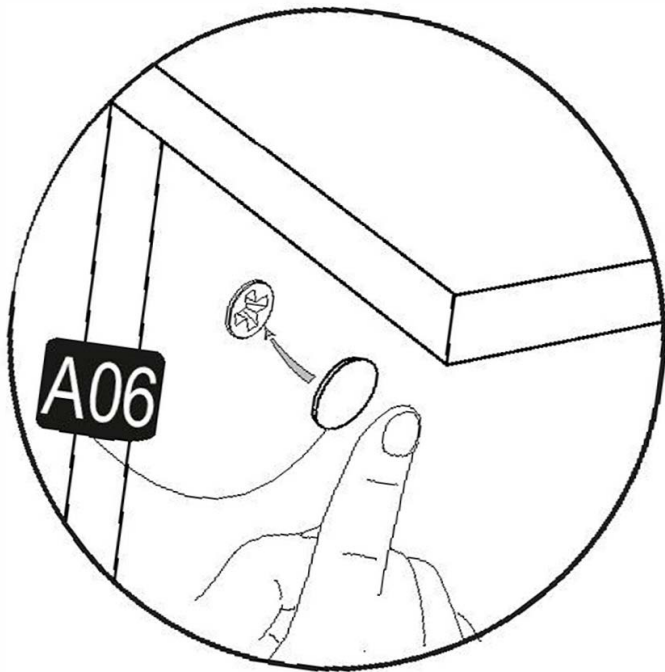
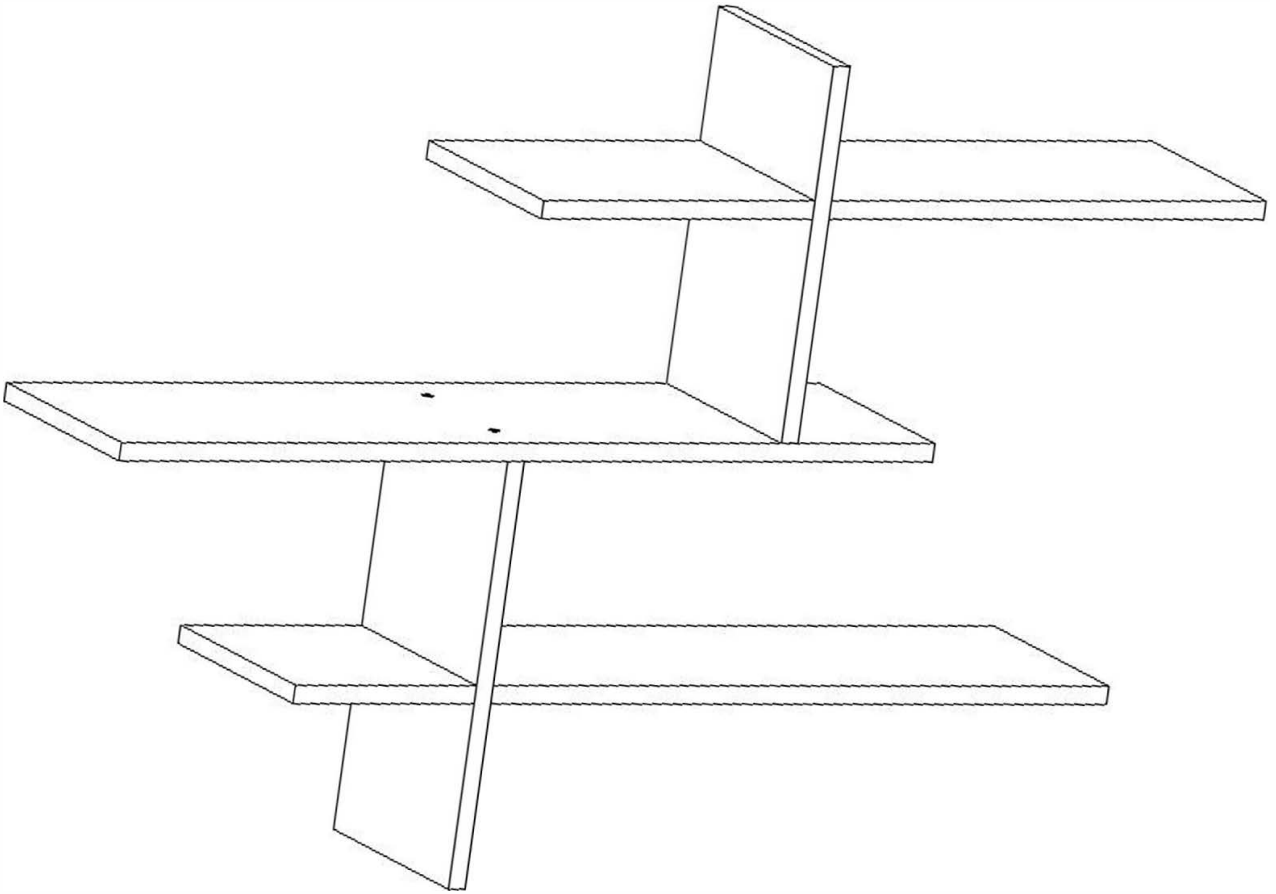
1



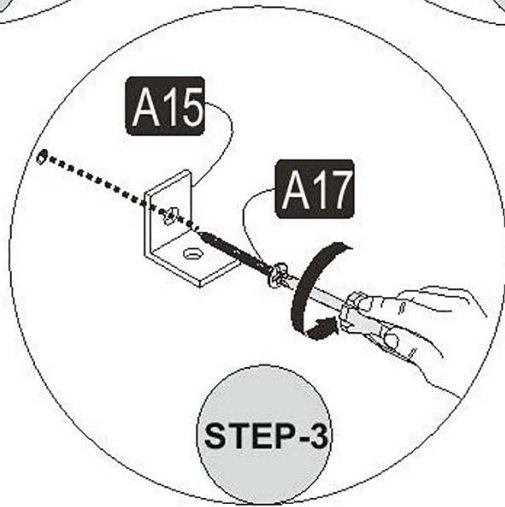
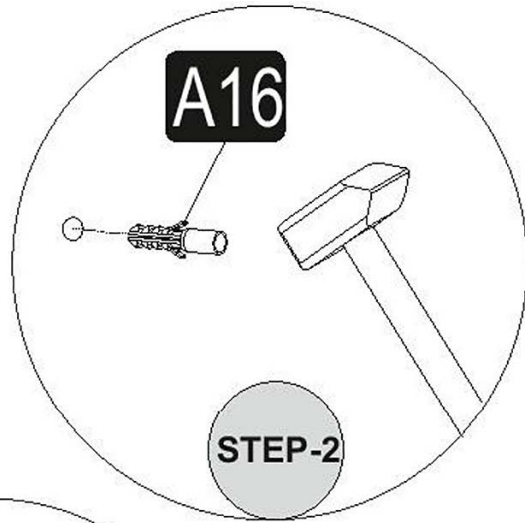
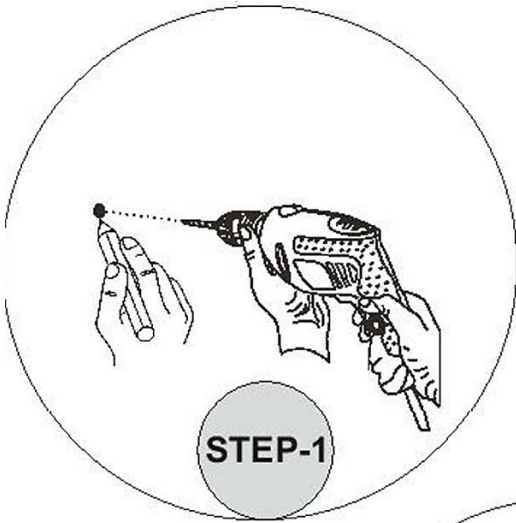
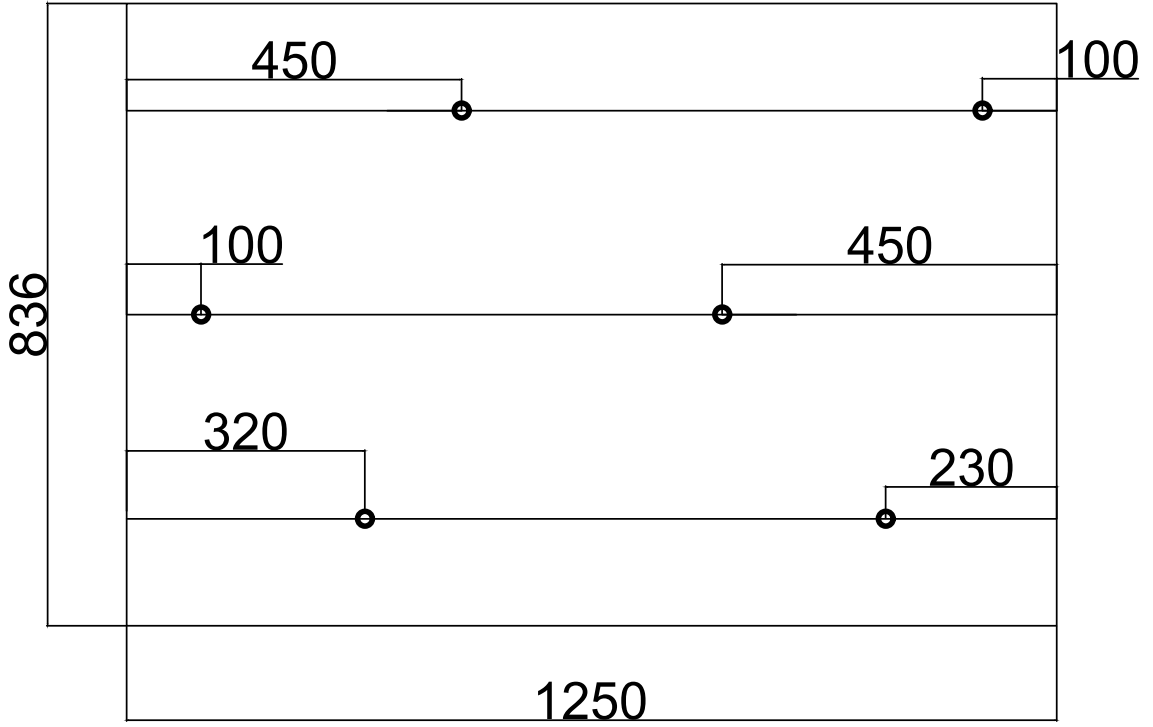
2



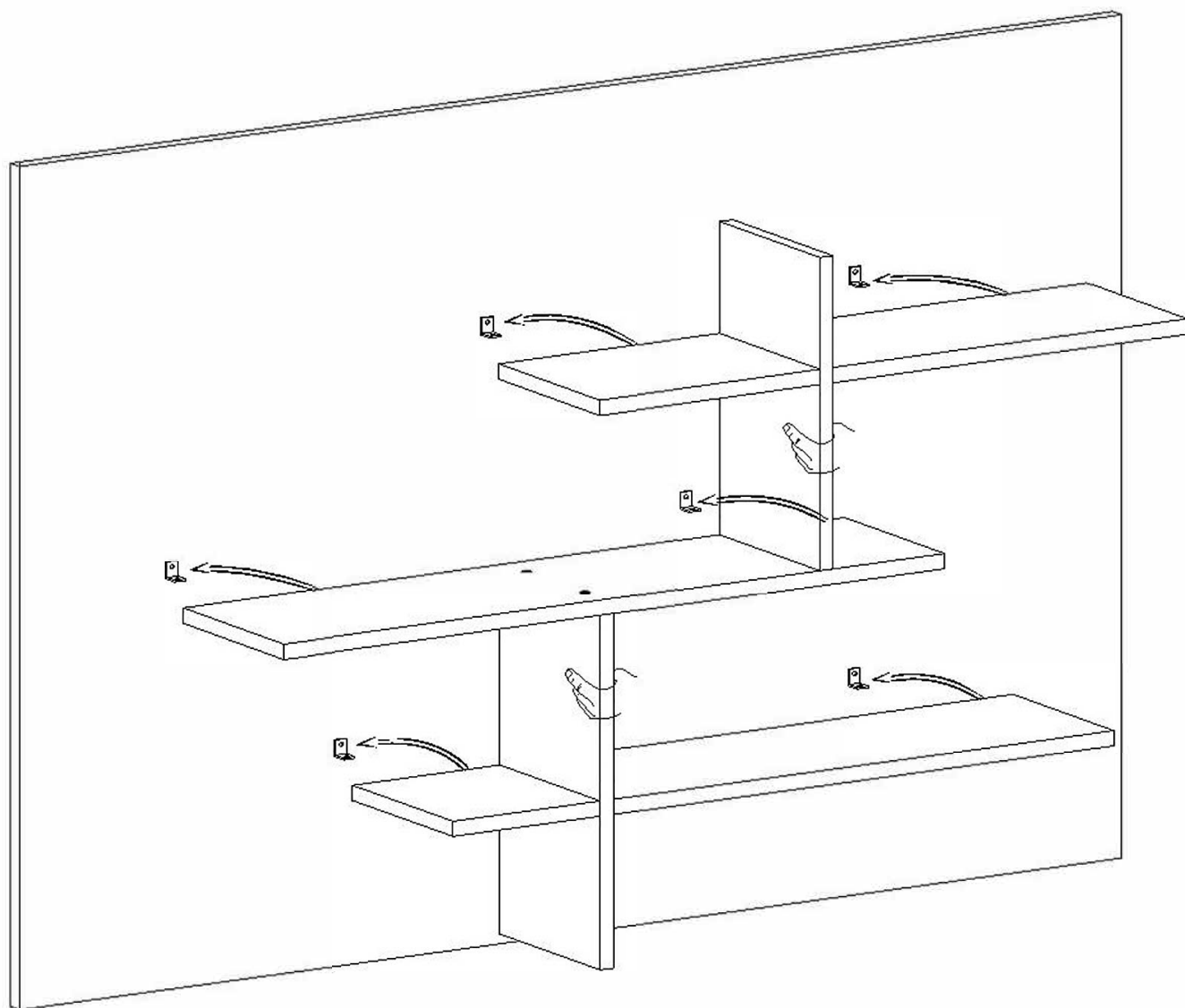
3



4



5



6

