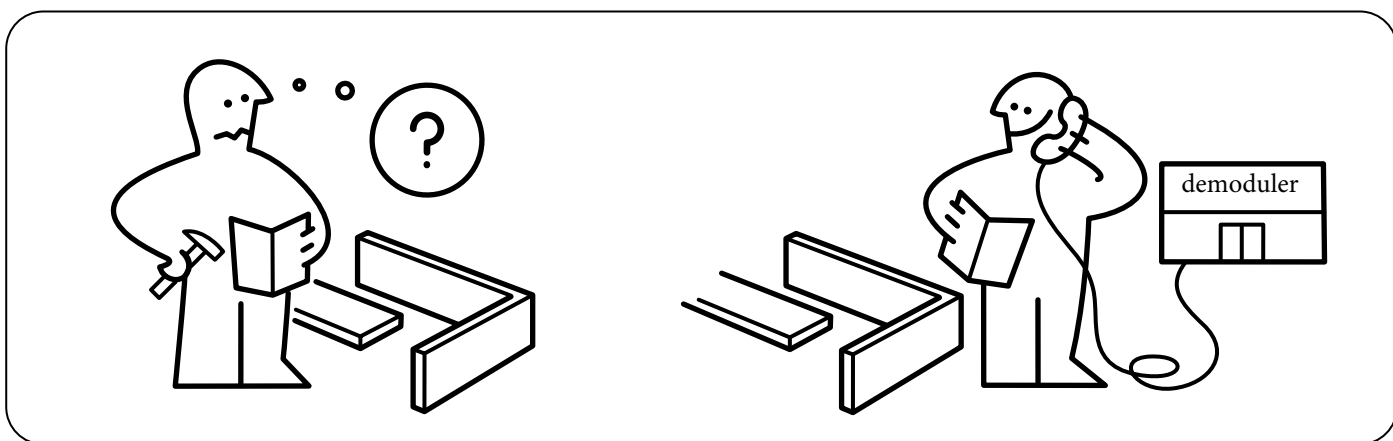
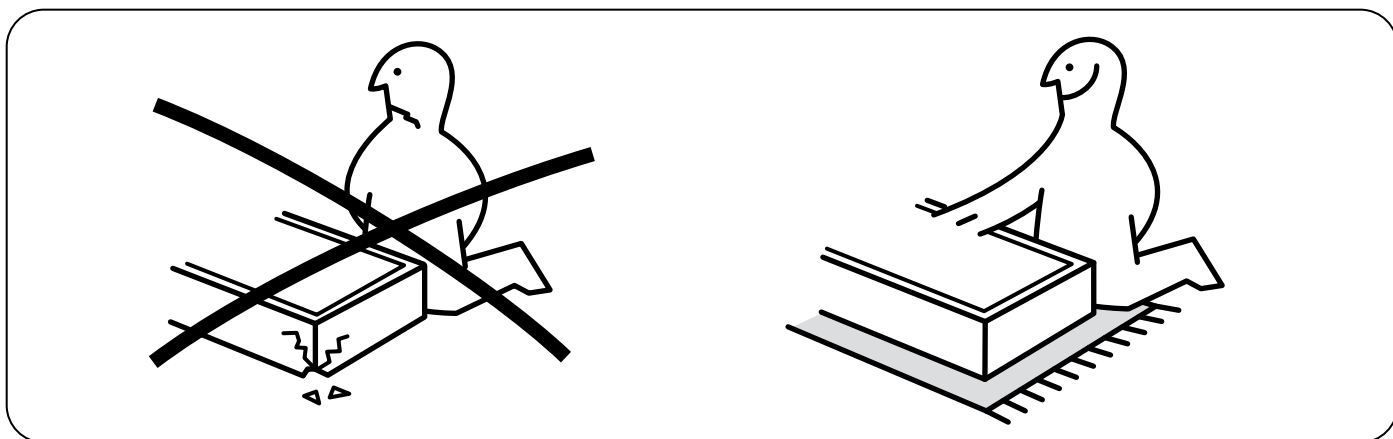
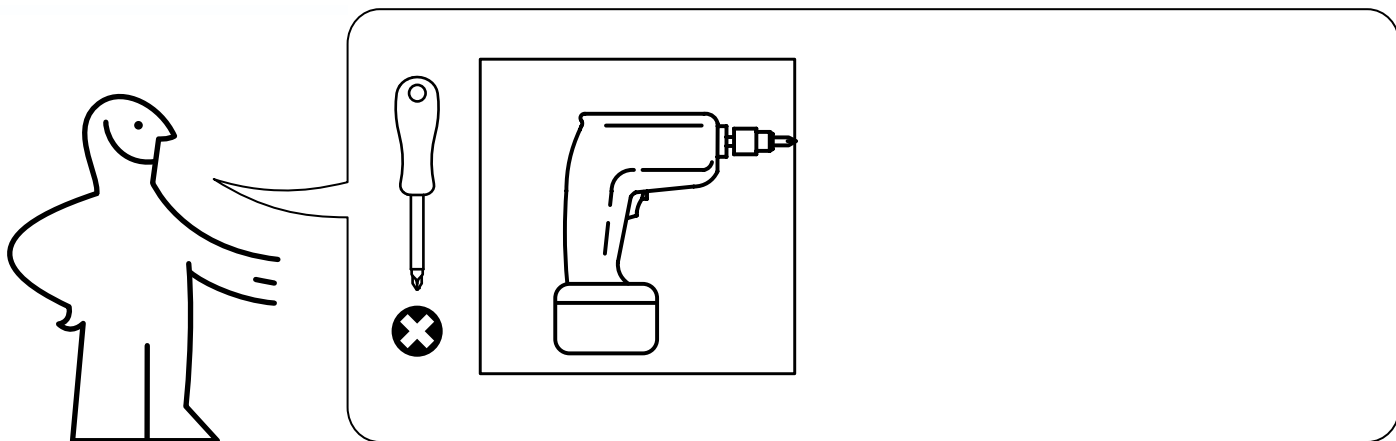
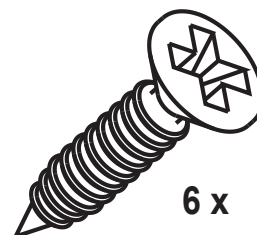
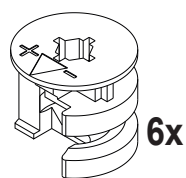
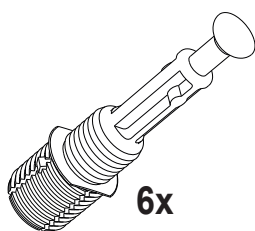
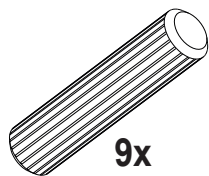


GP028-0073,1





ACCESSORY LIST



400 x 600

