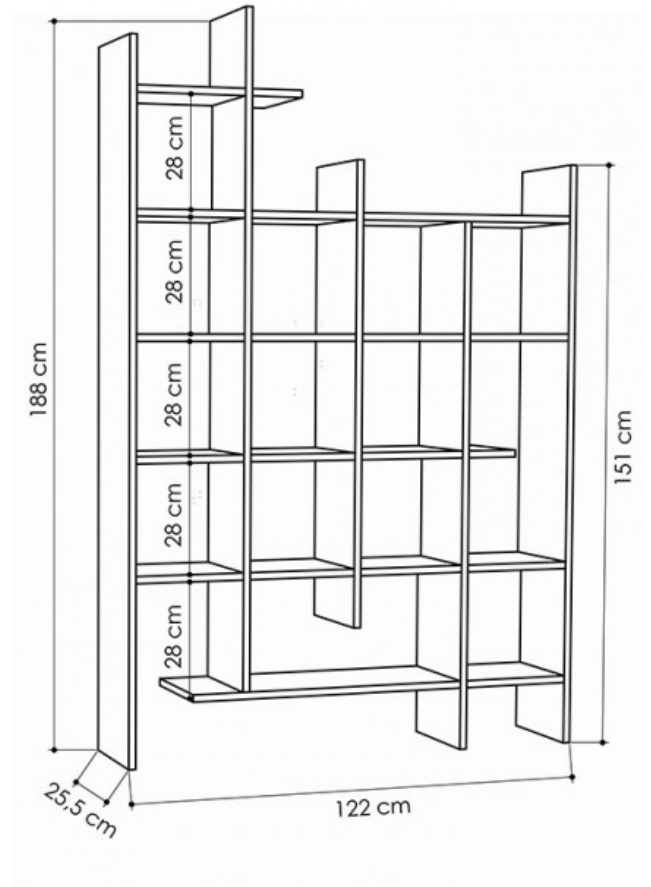
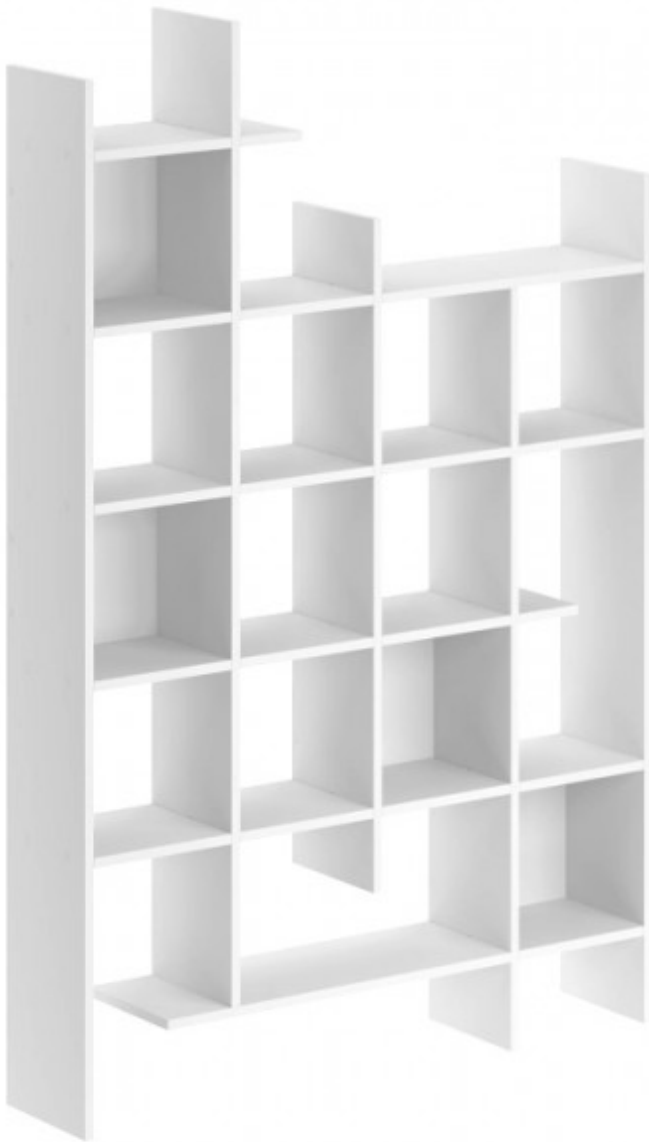




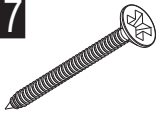

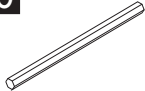
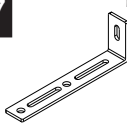
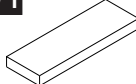
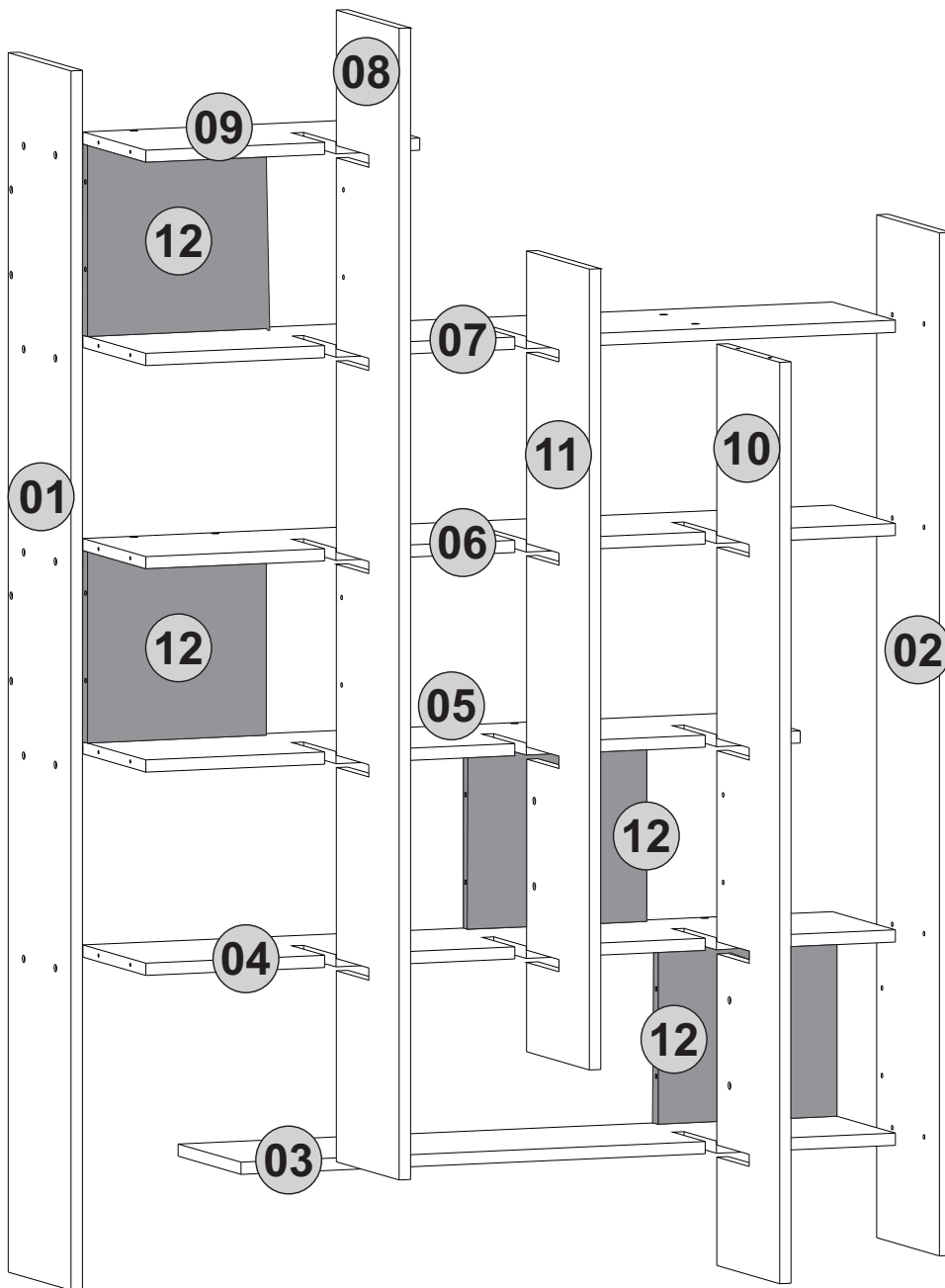




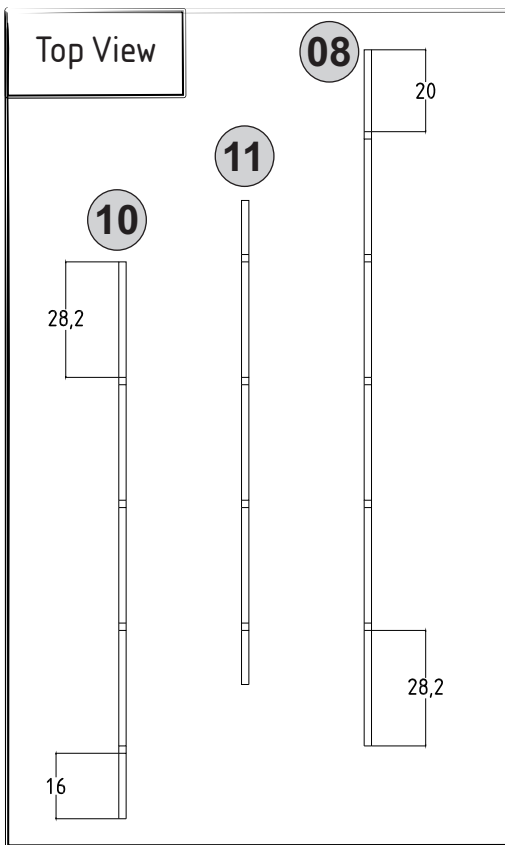
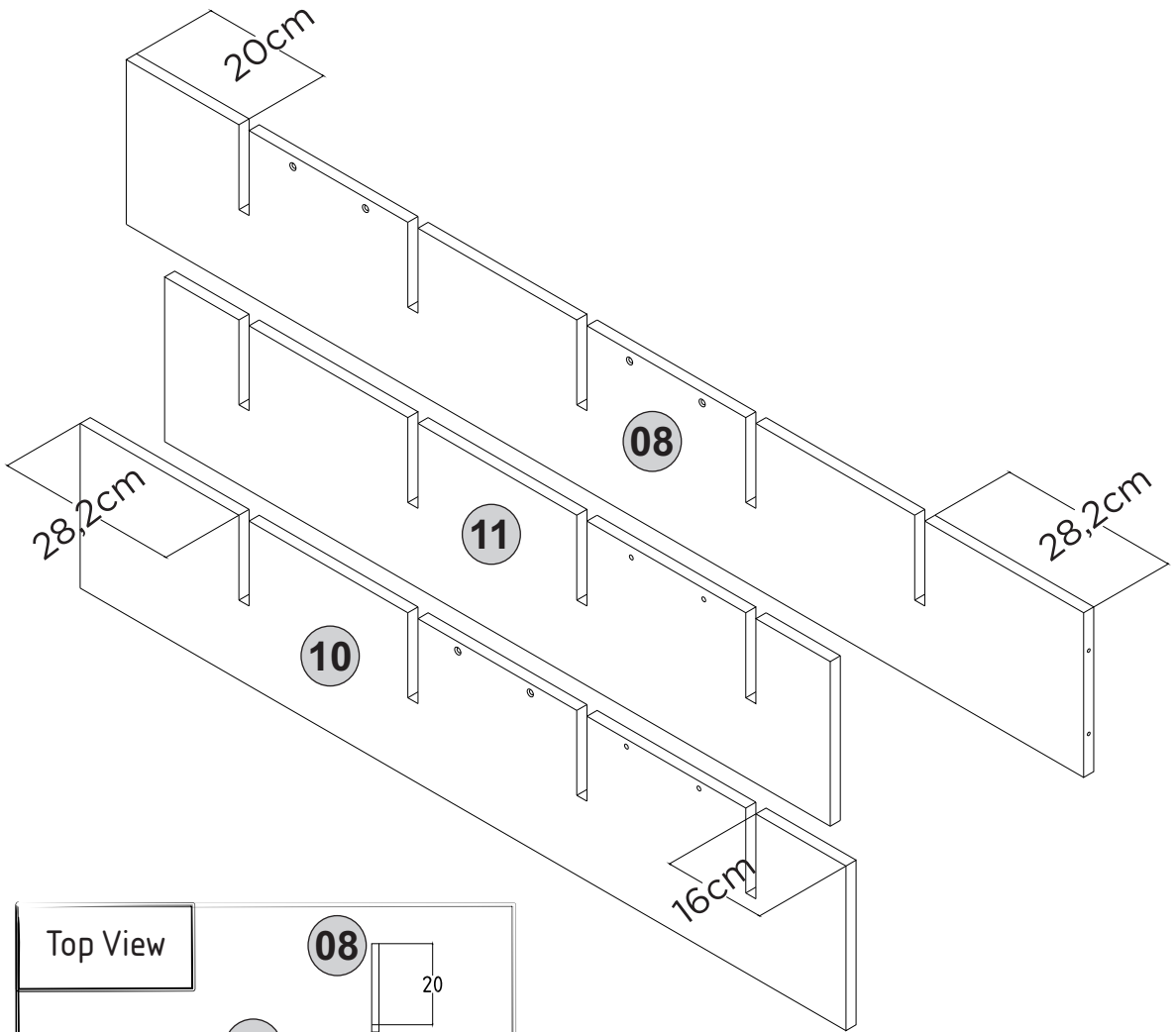
# GP037-0102,3



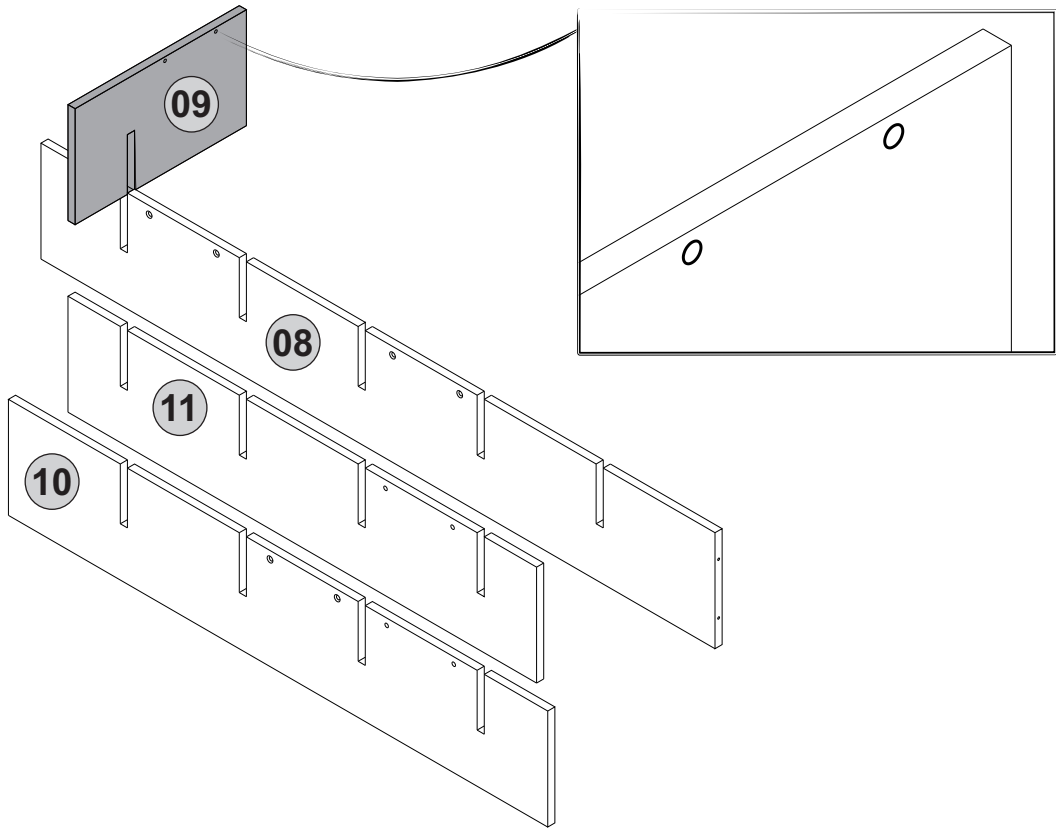
<b>A06</b>	18mm	<b>A12</b>	4 sw	<b>A13</b>	50mm	<b>A16</b>	DbØ8	<b>A17</b>	4x50
	<b>54x</b>		<b>1x</b>		<b>54x</b>		<b>1x</b>		<b>1x</b>
<b>A18</b>	3,5x18	<b>A26</b>	Allen	<b>A87</b>	15x90x30	<b>PB01</b>	Kece		
	<b>2x</b>		<b>1x</b>		<b>1x</b>		<b>6x</b>		



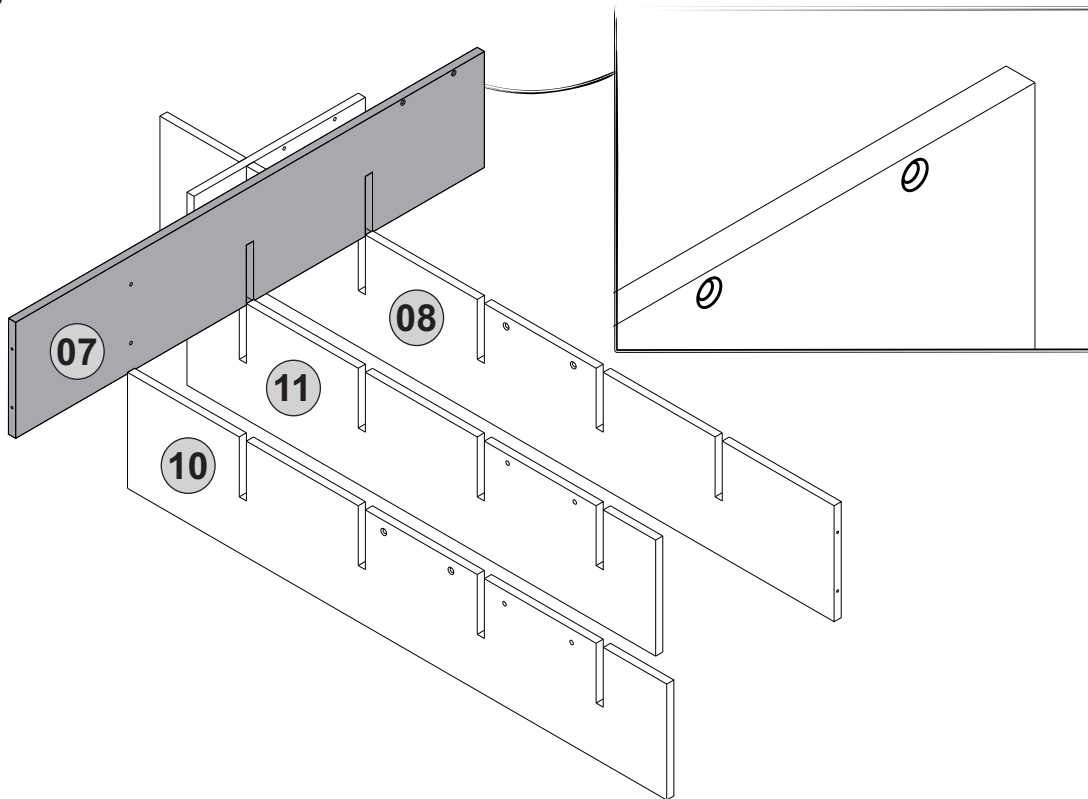
**1.** step



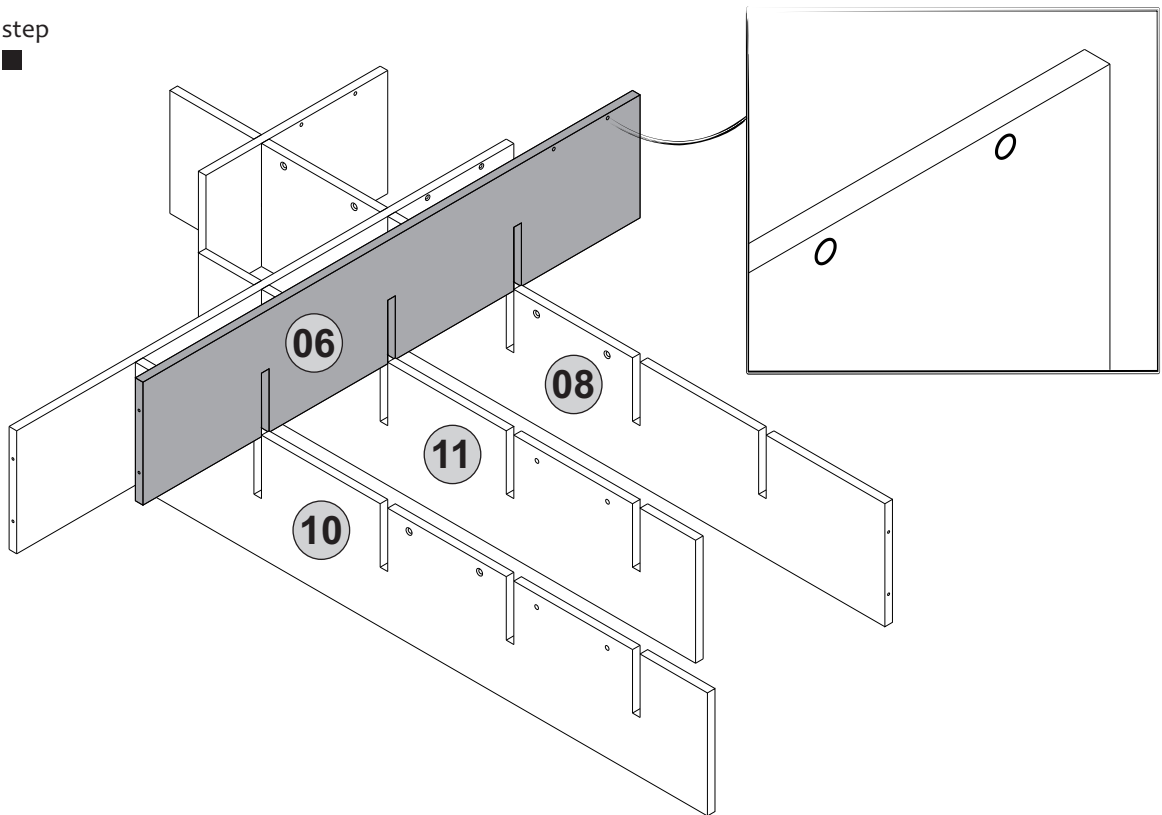
# 2<sub>step</sub>



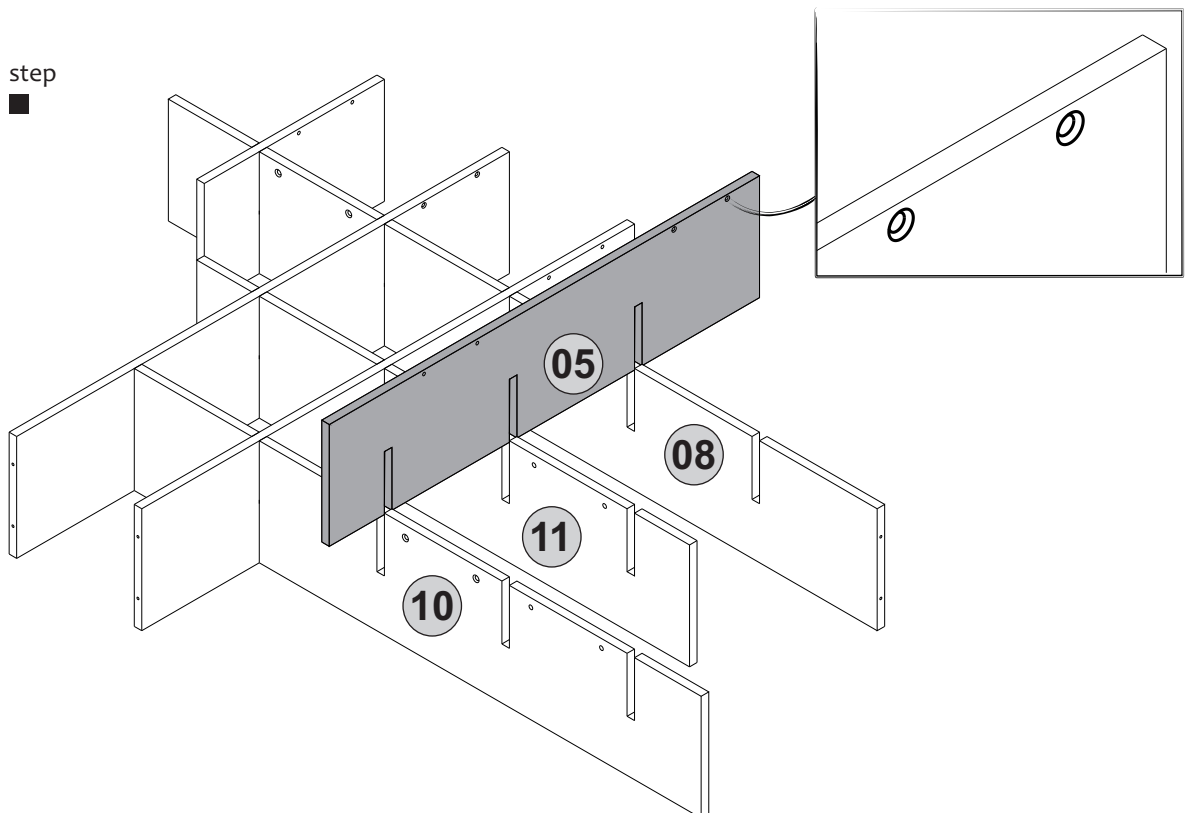
# 3<sub>step</sub>



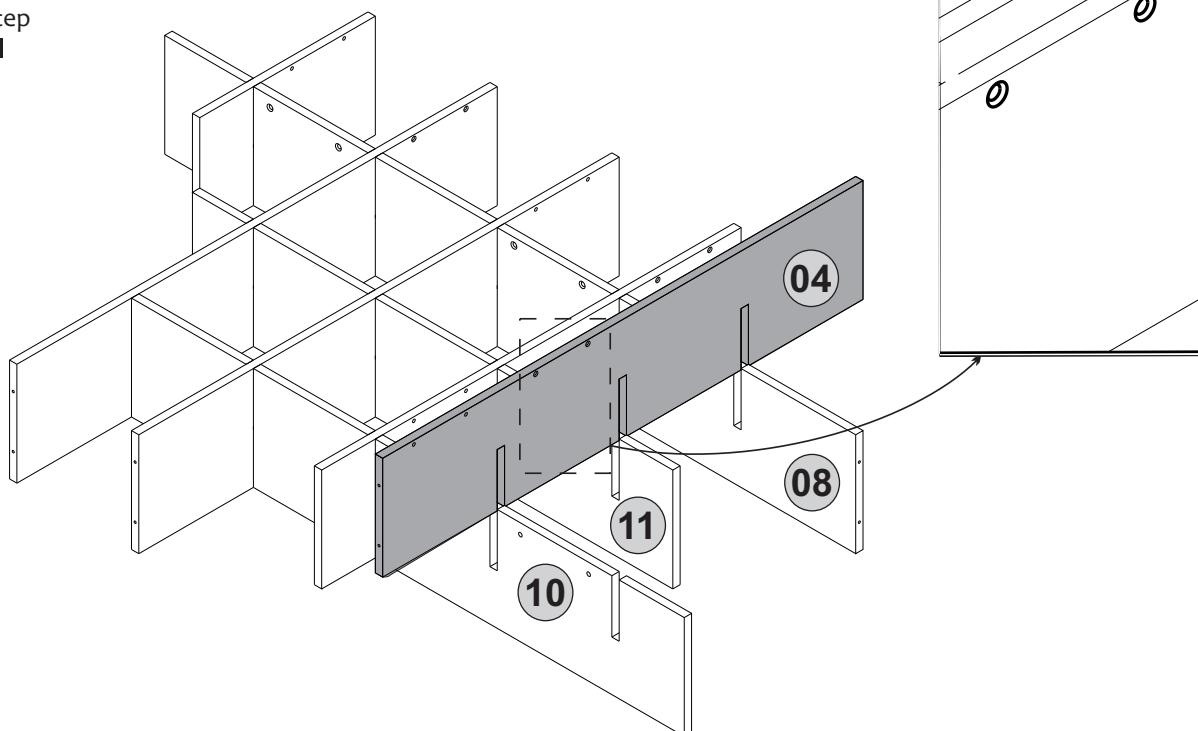
# 4.<sub>step</sub>



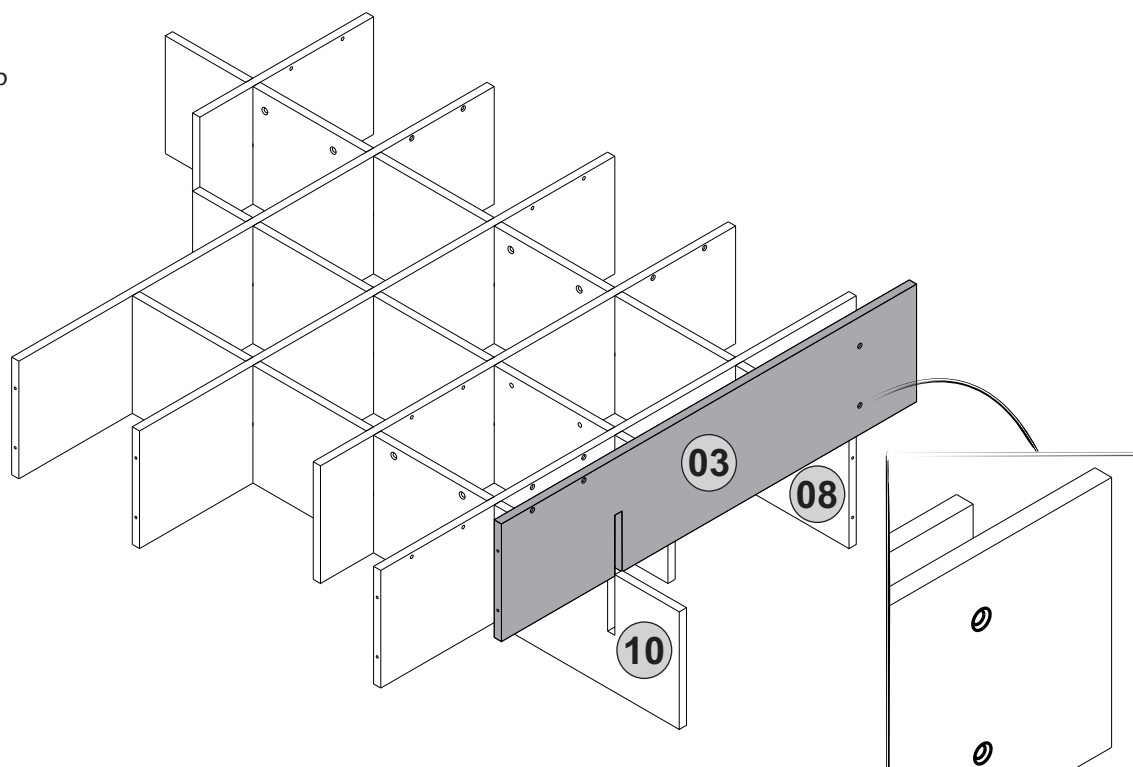
# 5.<sub>step</sub>



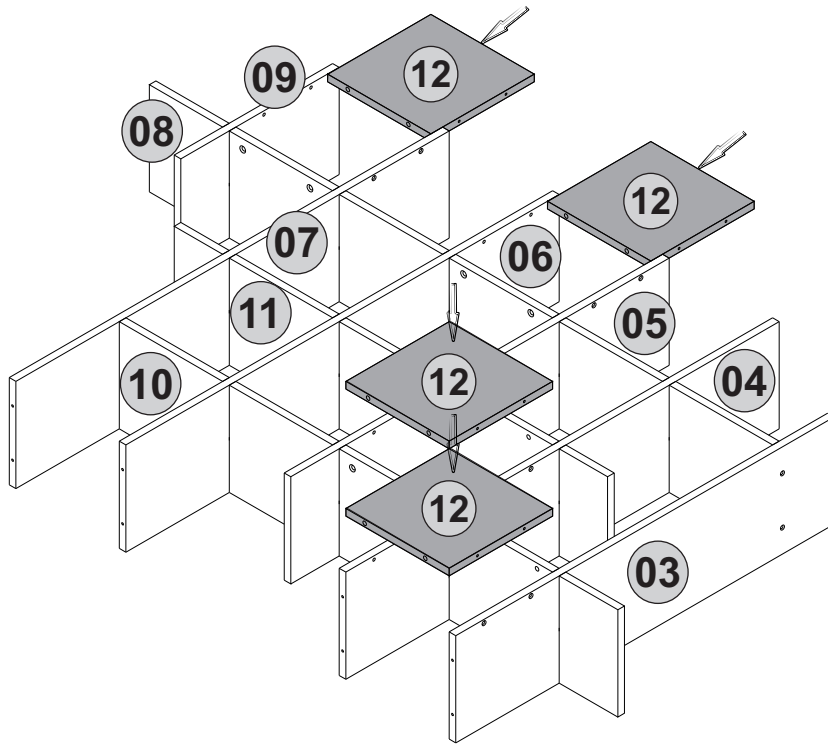
**6** step



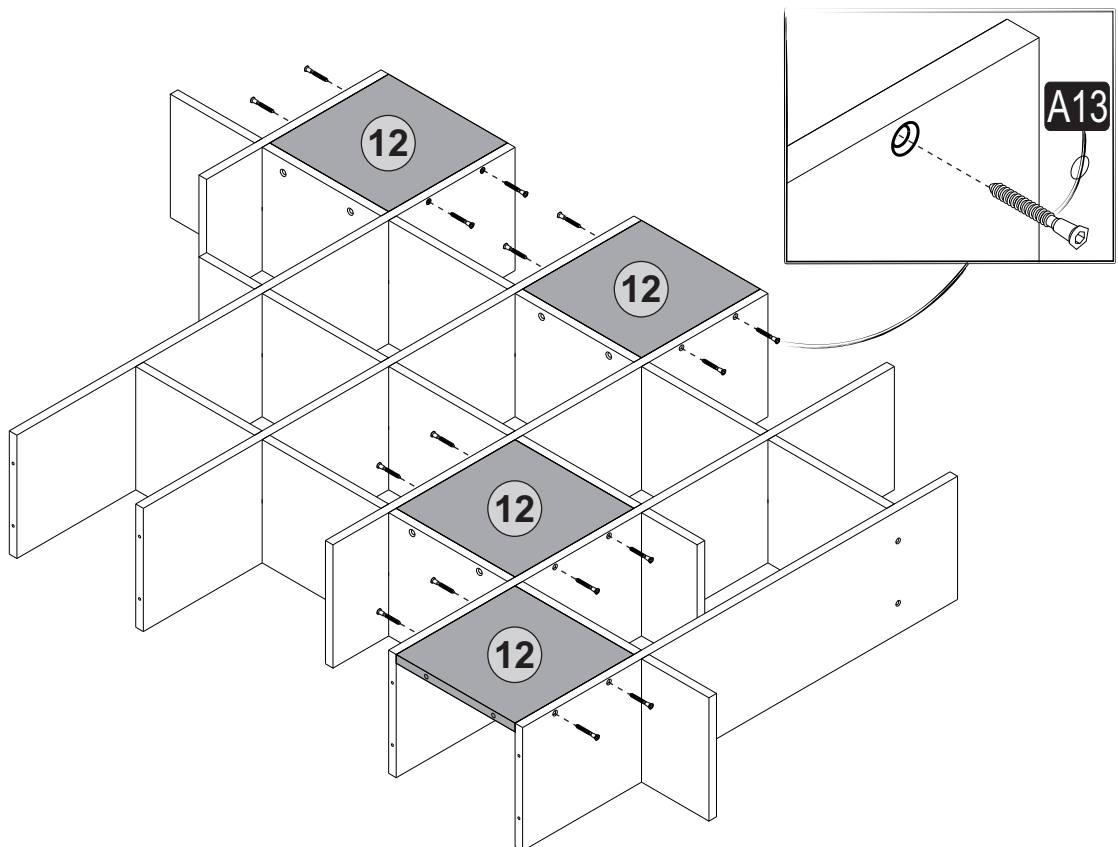
**7** step



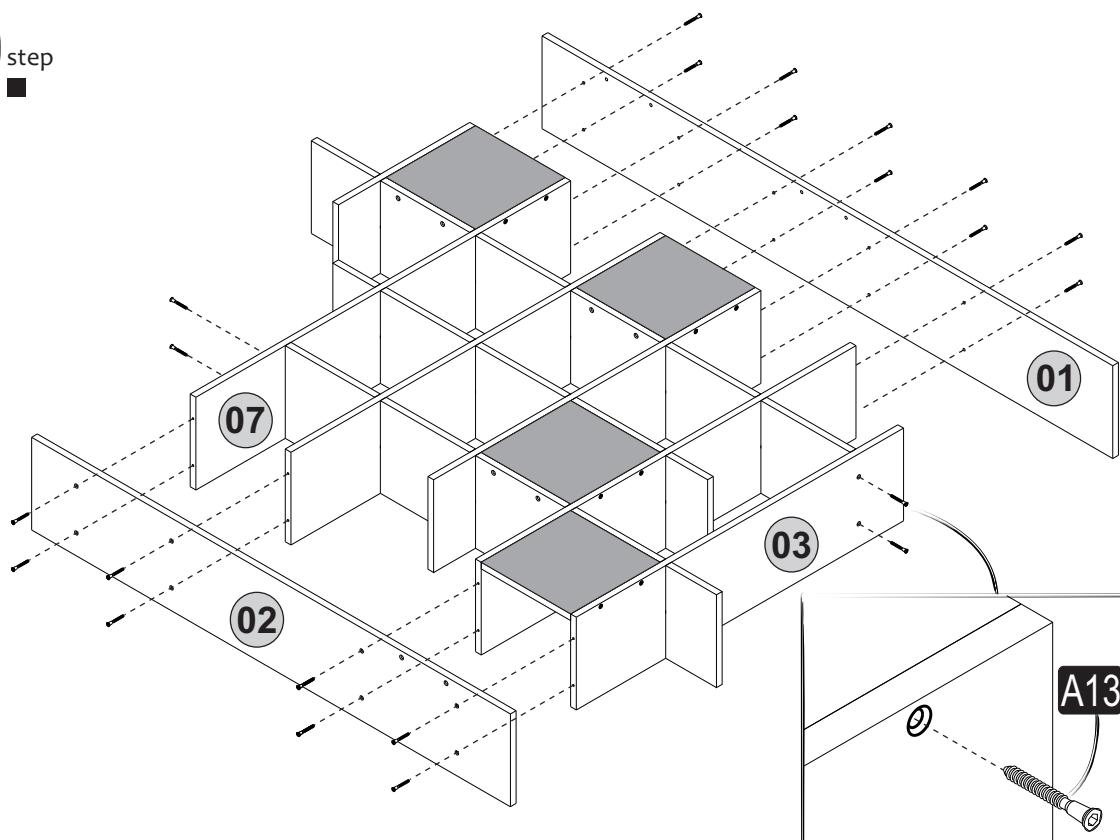
# 8<sup>step</sup>



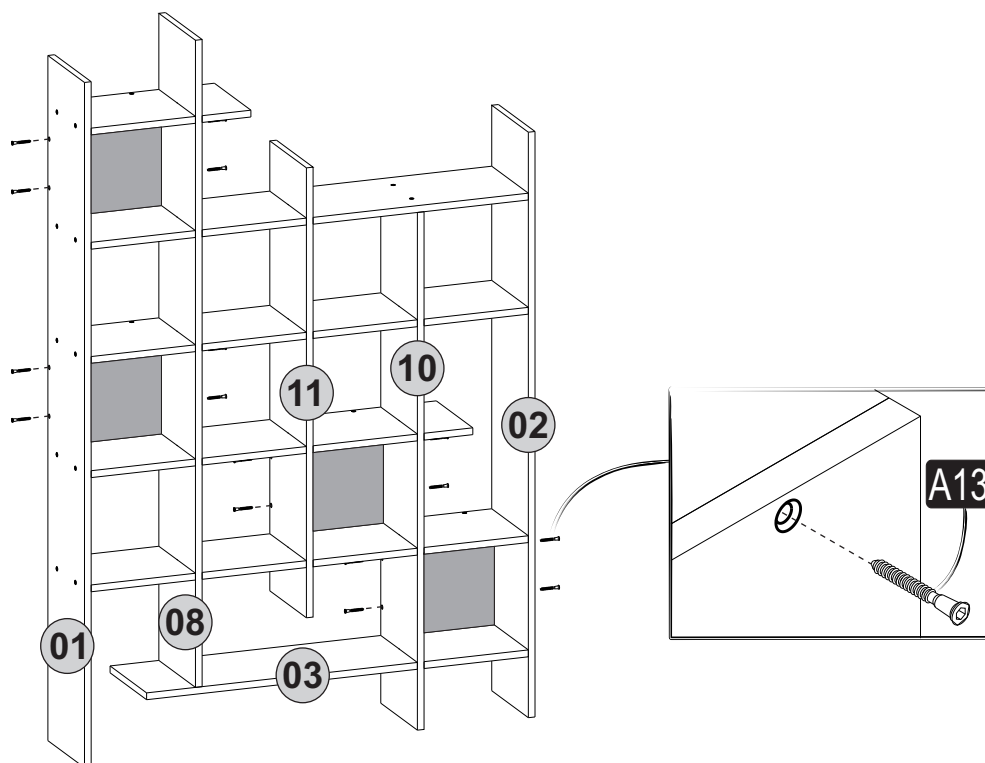
# 9<sup>step</sup>



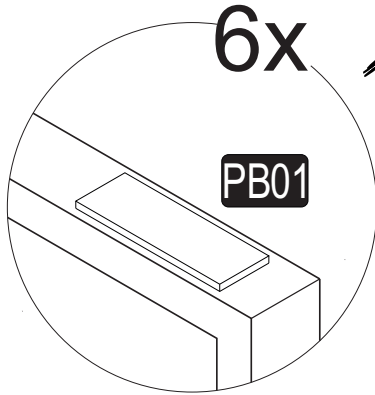
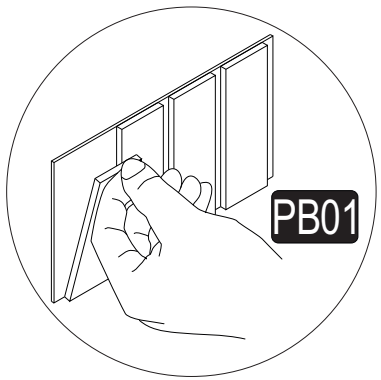
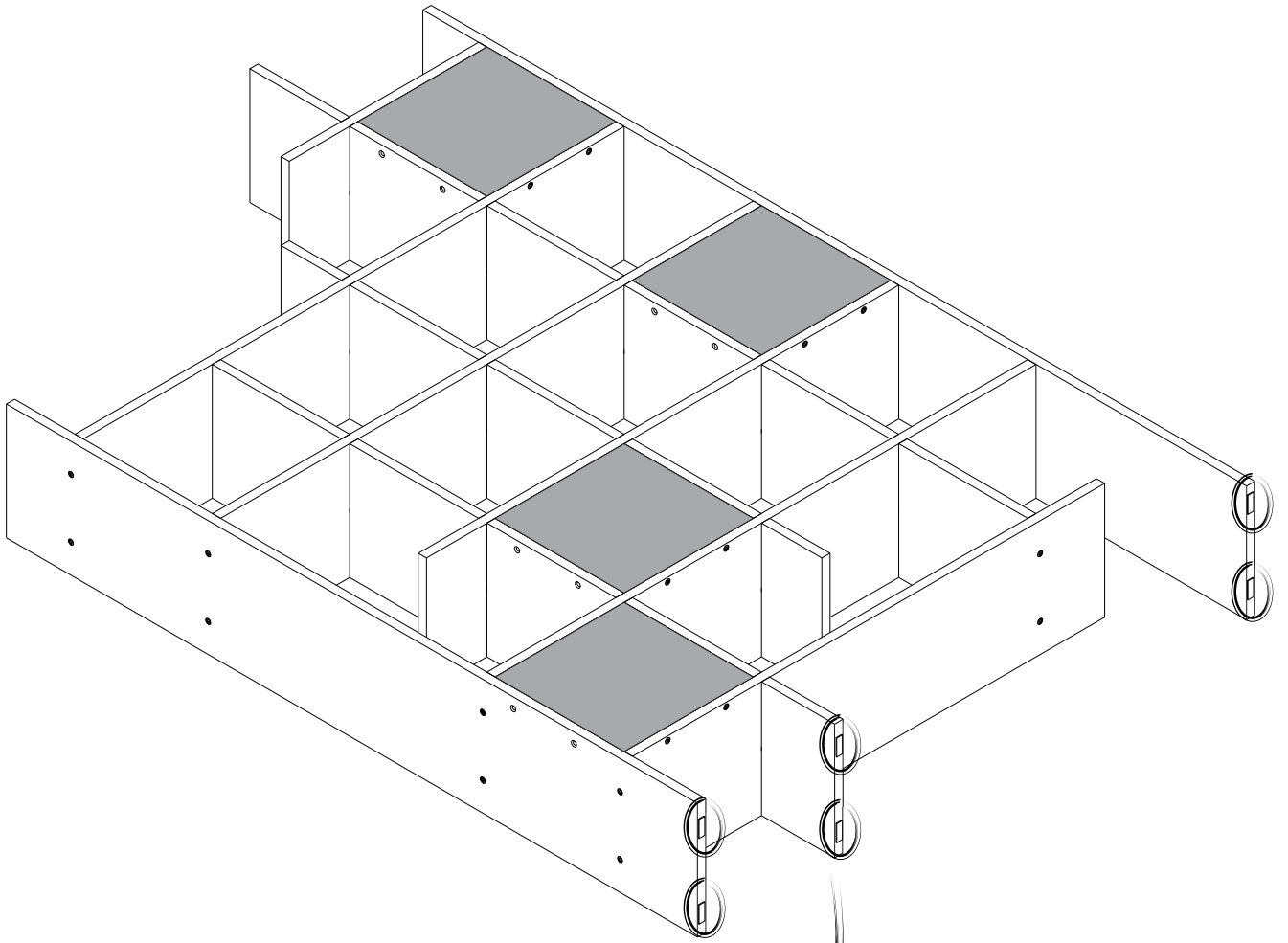
# 10.<sup>step</sup>



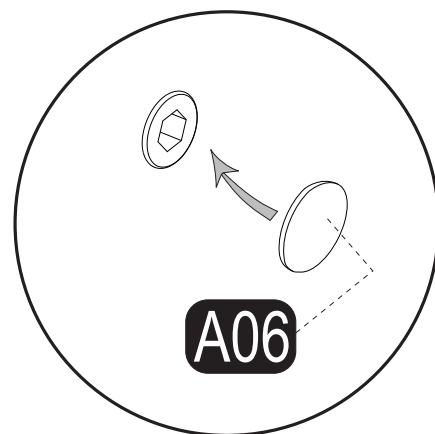
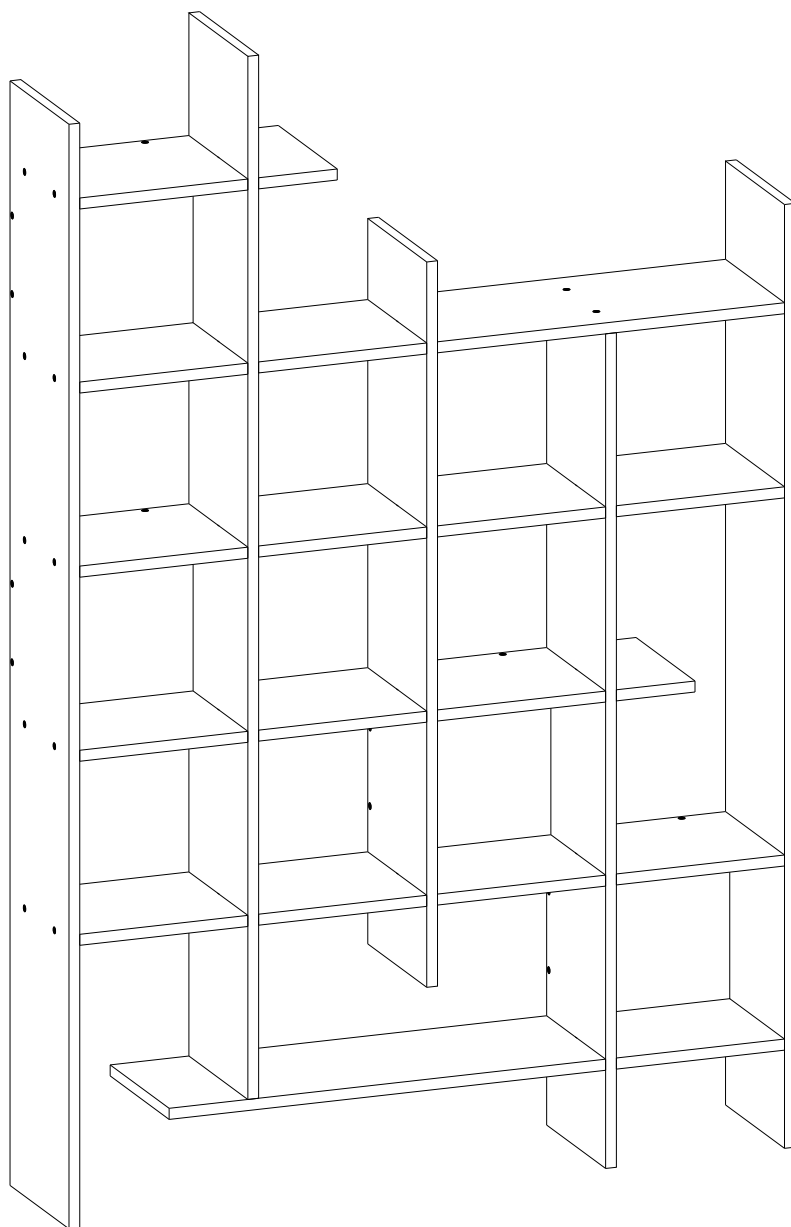
# 11.<sup>step</sup>



# 12<sub>step</sub>



# 13<sub>step</sub>



# 14. step

