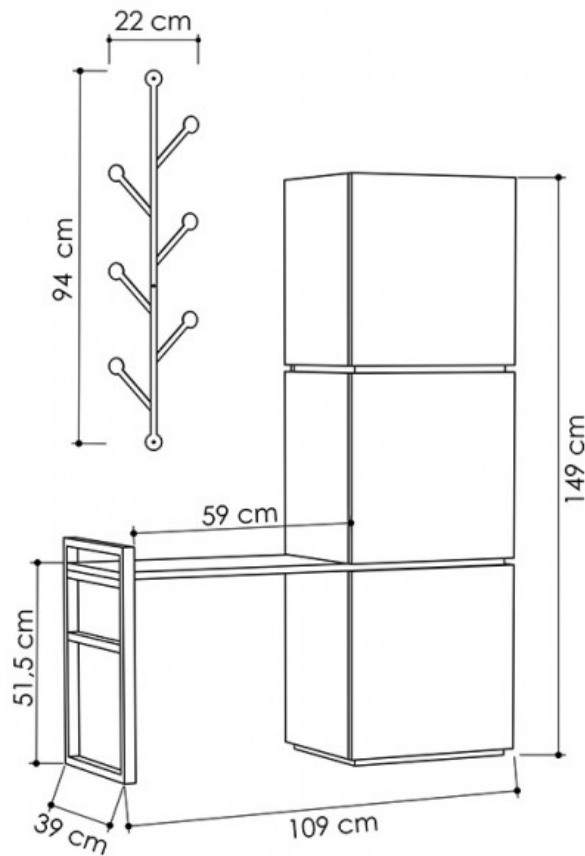

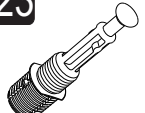

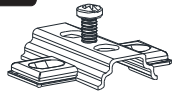
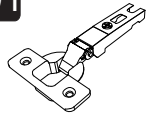
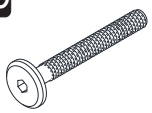

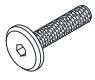

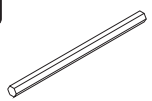


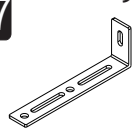
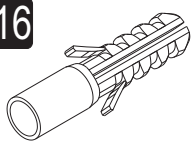

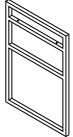

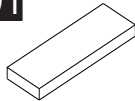
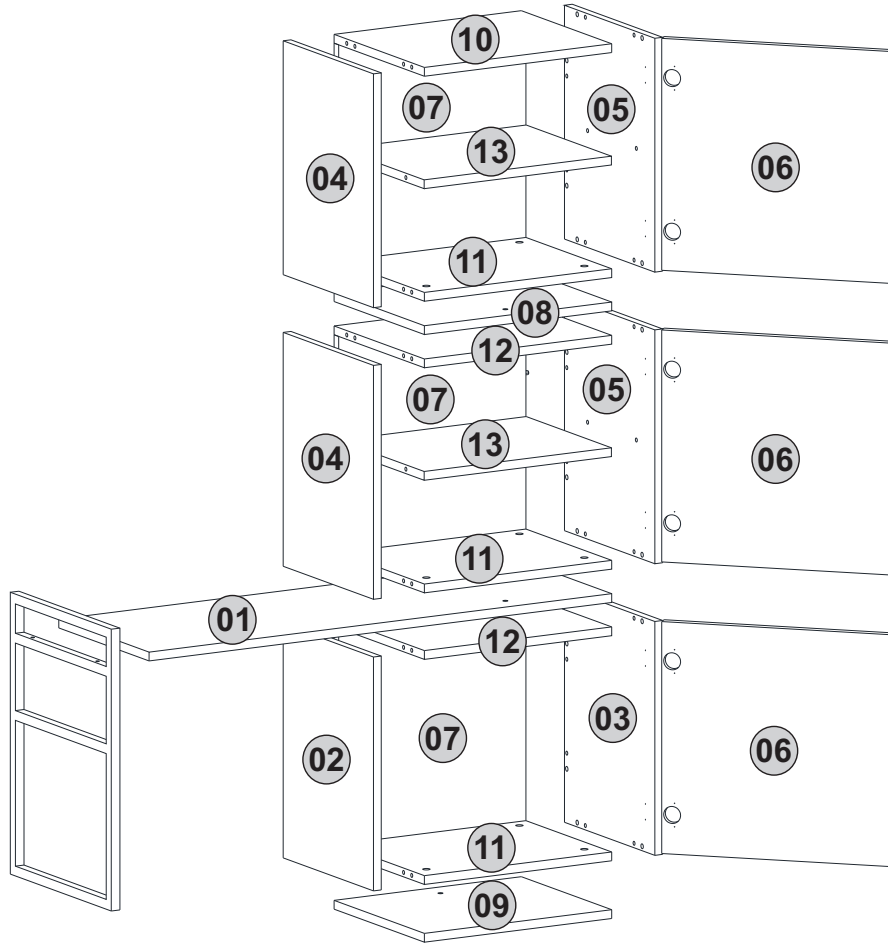




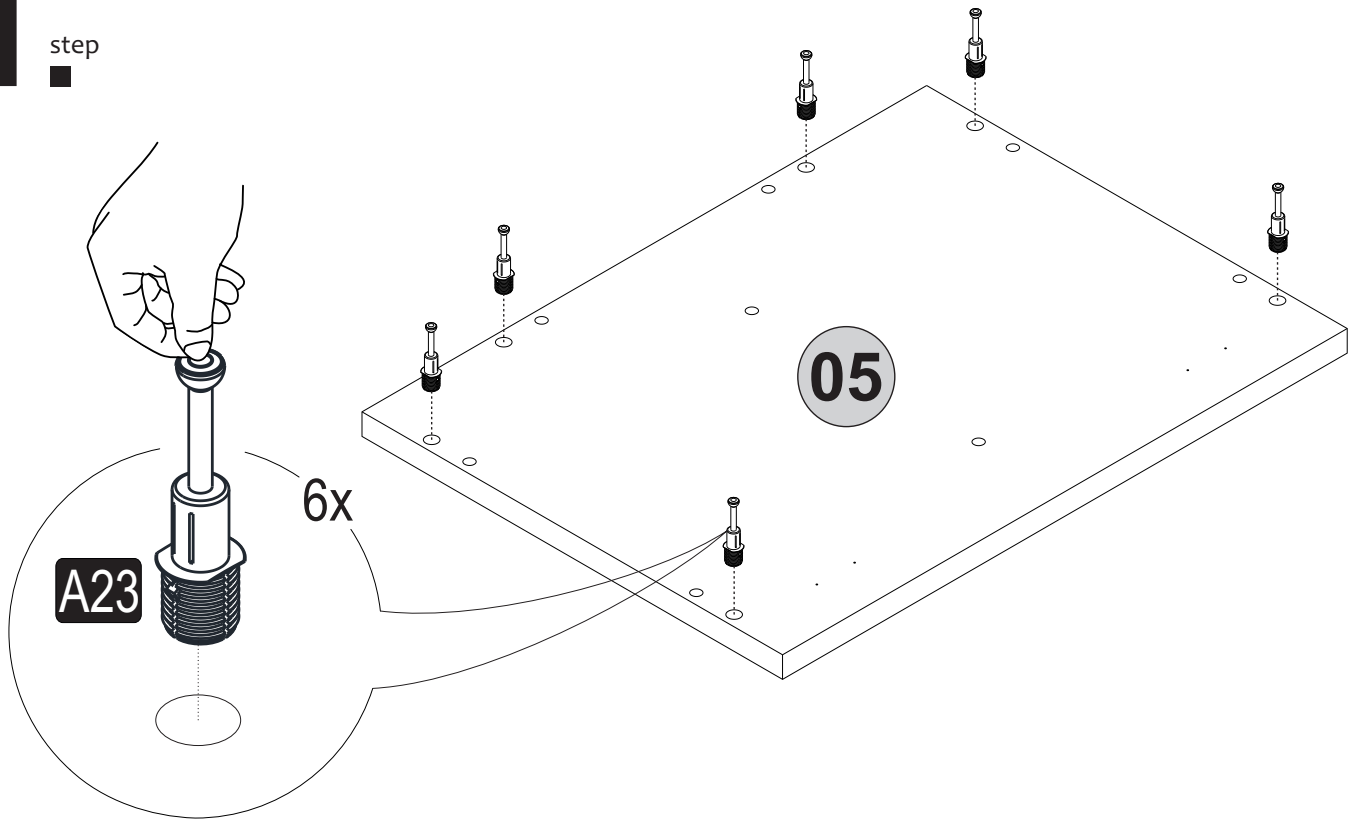
GP037-0105,1



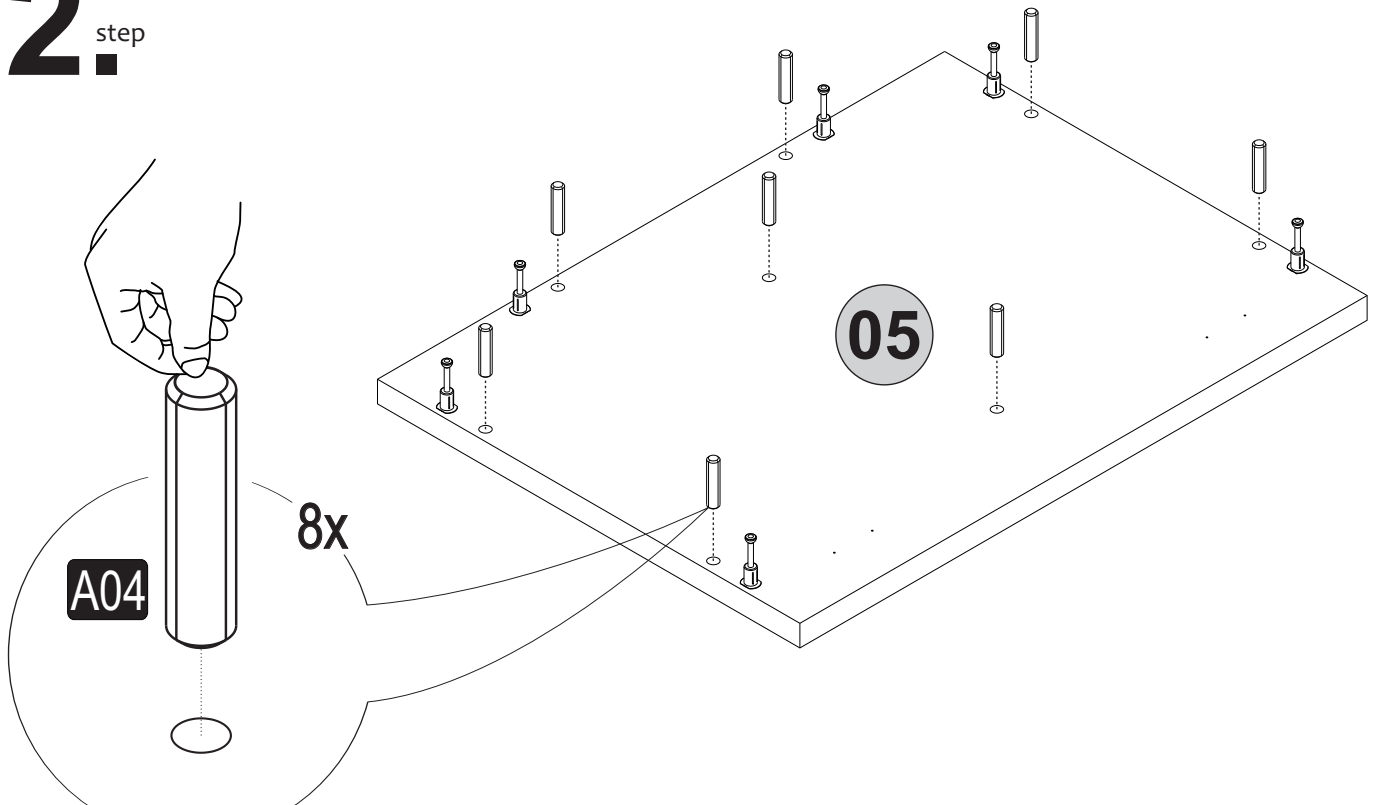
A22 Minifix k18  36x	A23 Minifix M10  36x	A04 Ø8  44x	C04 Ma  6x	C01 Düz Mentеше  6x
B05 45 mm  4x	B12 30 mm Siyah(Black)  2x	B03 25 mm  2x	A12 4 SW  1x	A26  1x
A69 P.D.  8x	A06 18 mm  C1 40x C2 2x	A87 15x90x30  1x	A16 Ø8  1x	A17 4x50  1x
P01 SYD  1x	A18 3,5x18  26x	PB01 Kece  6x		



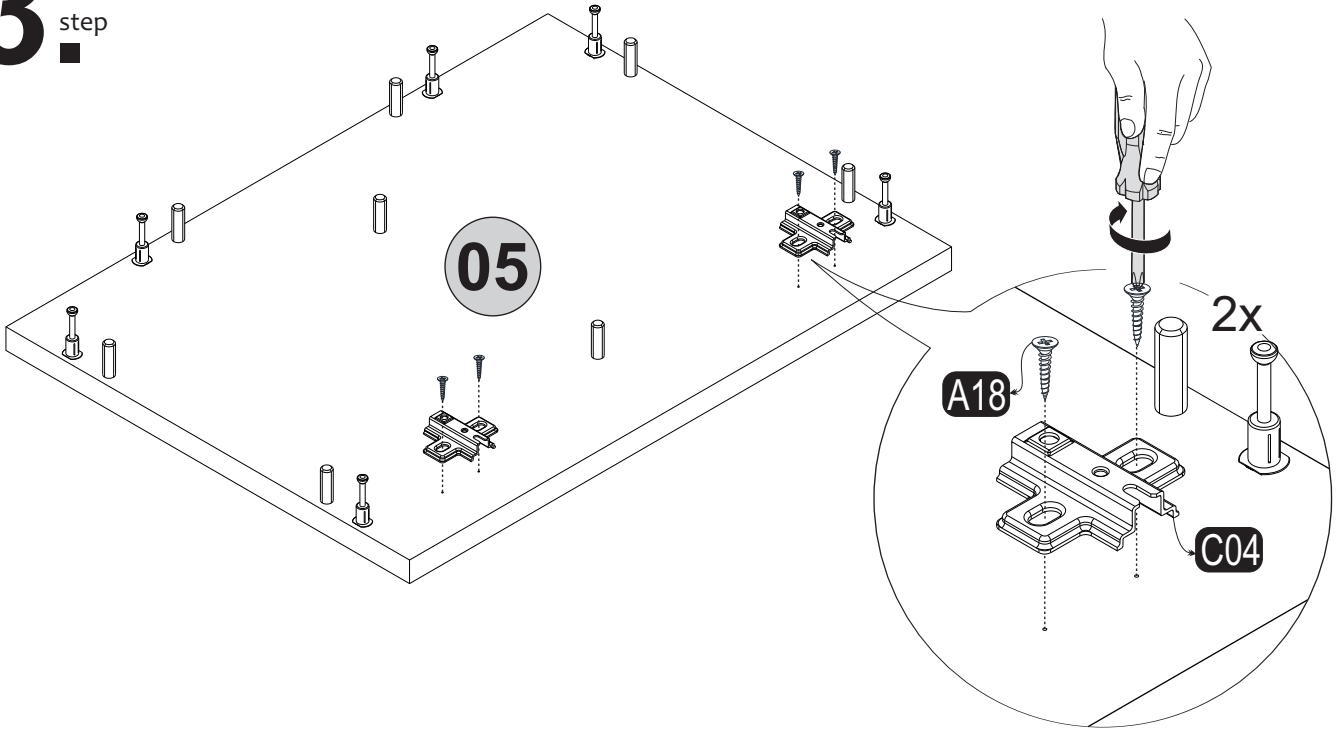
1. step



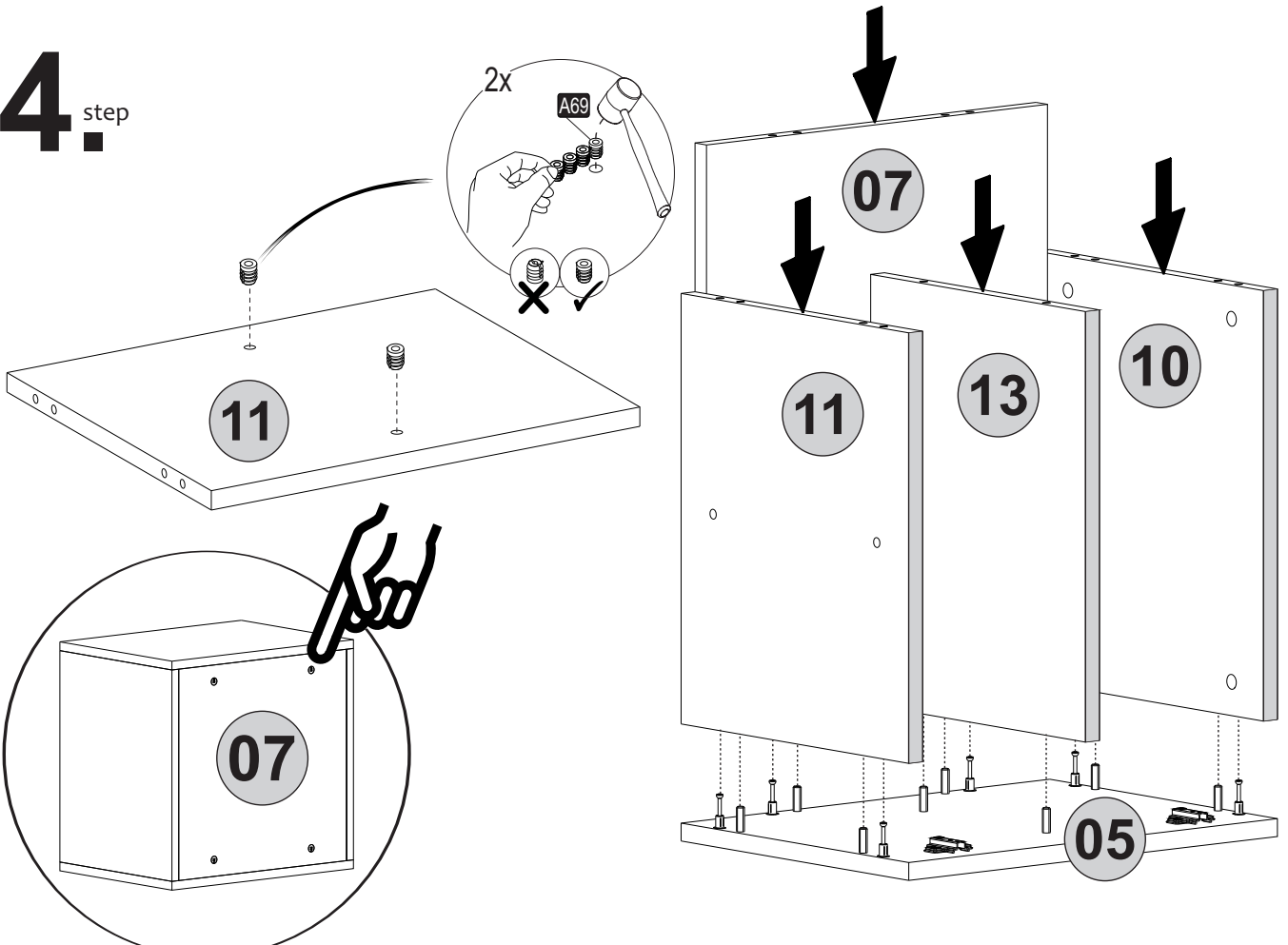
2. step



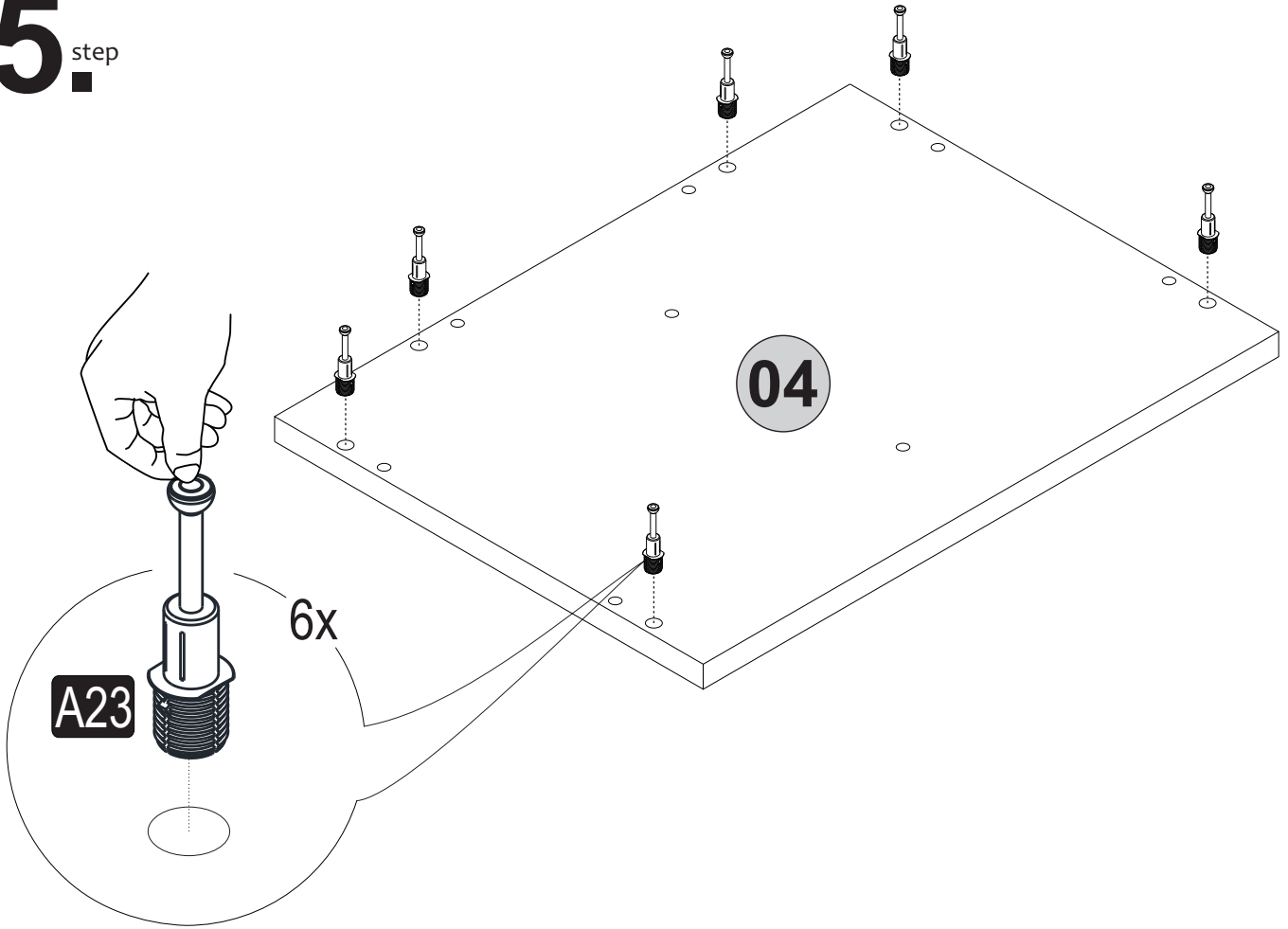
3. step



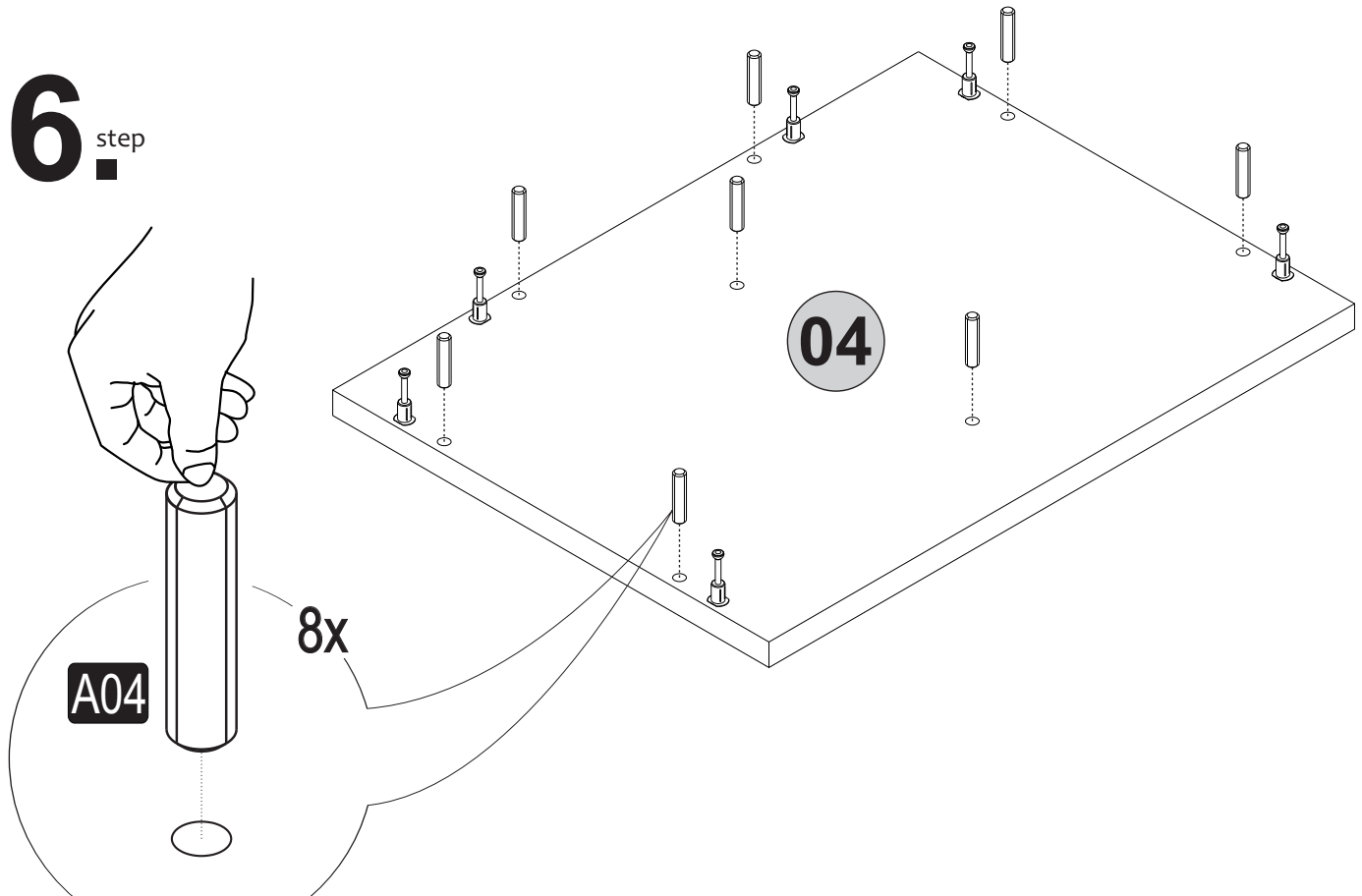
4. step



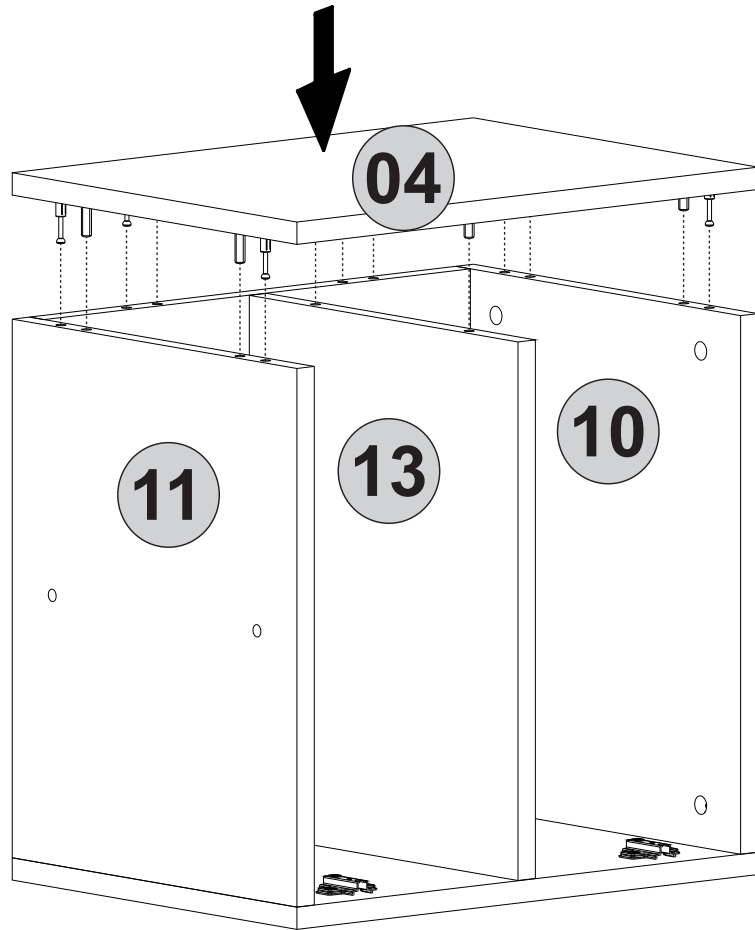
5^{step}



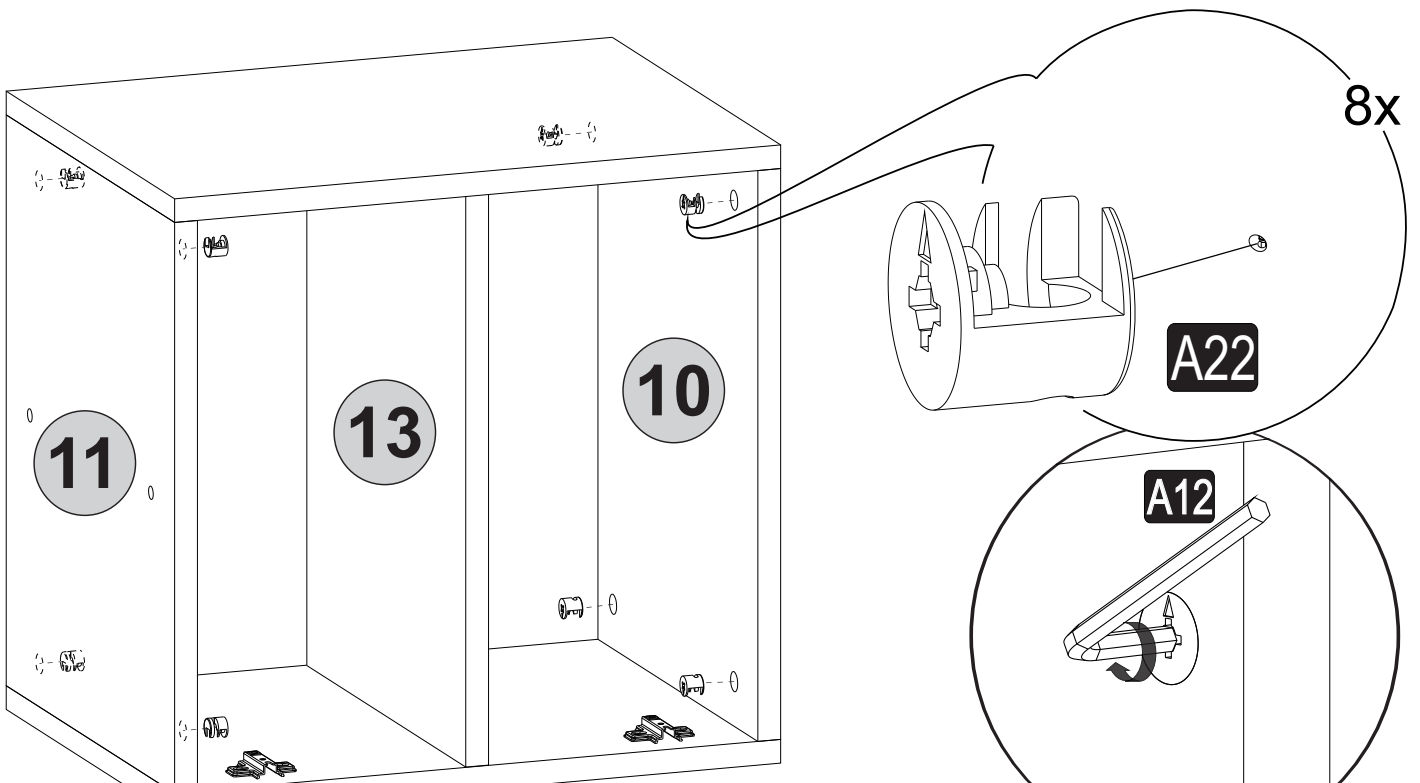
6^{step}



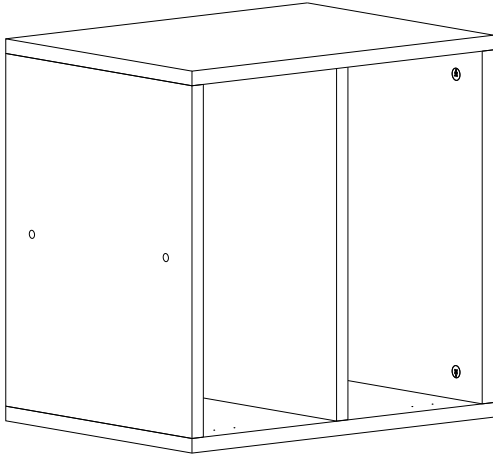
7. step



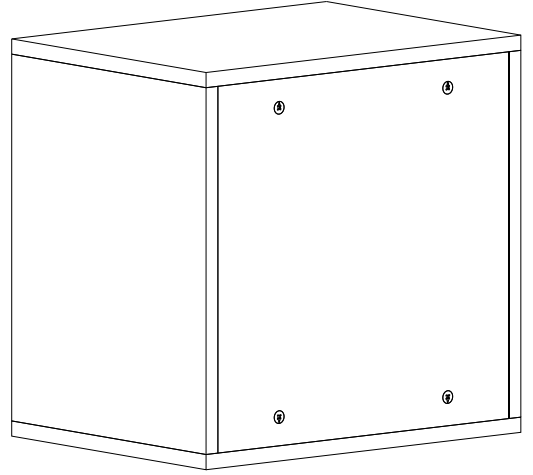
8. step



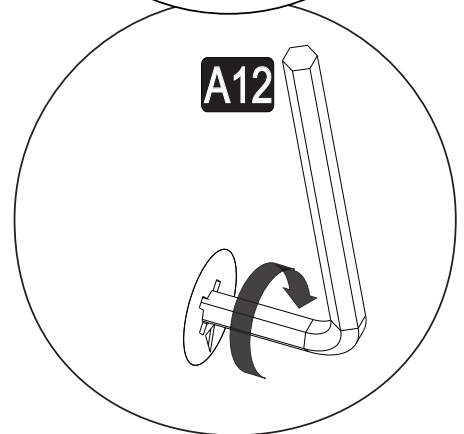
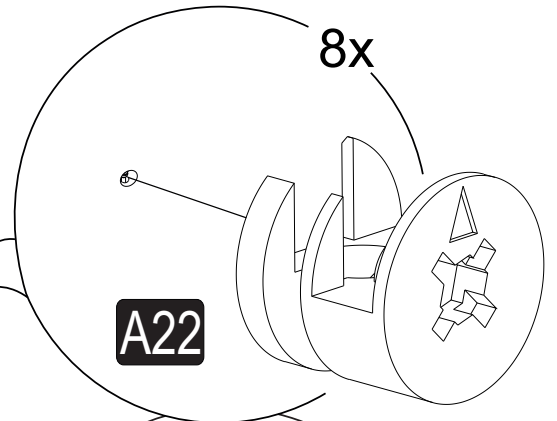
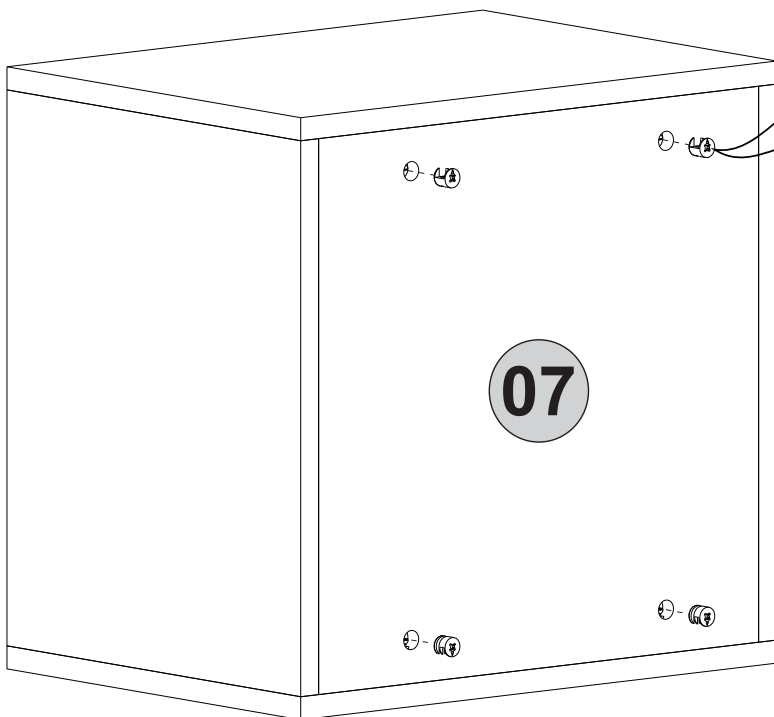
9_{step}



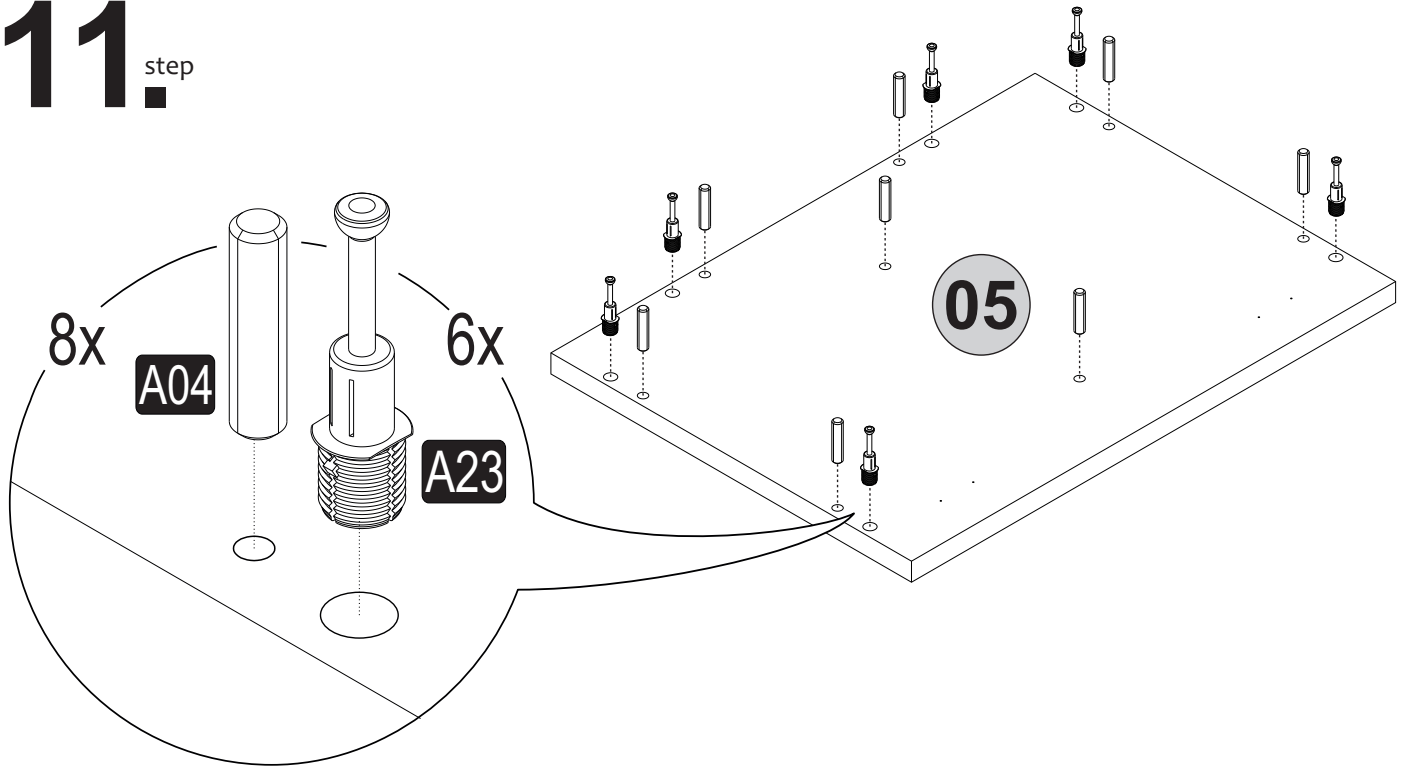
Rotate



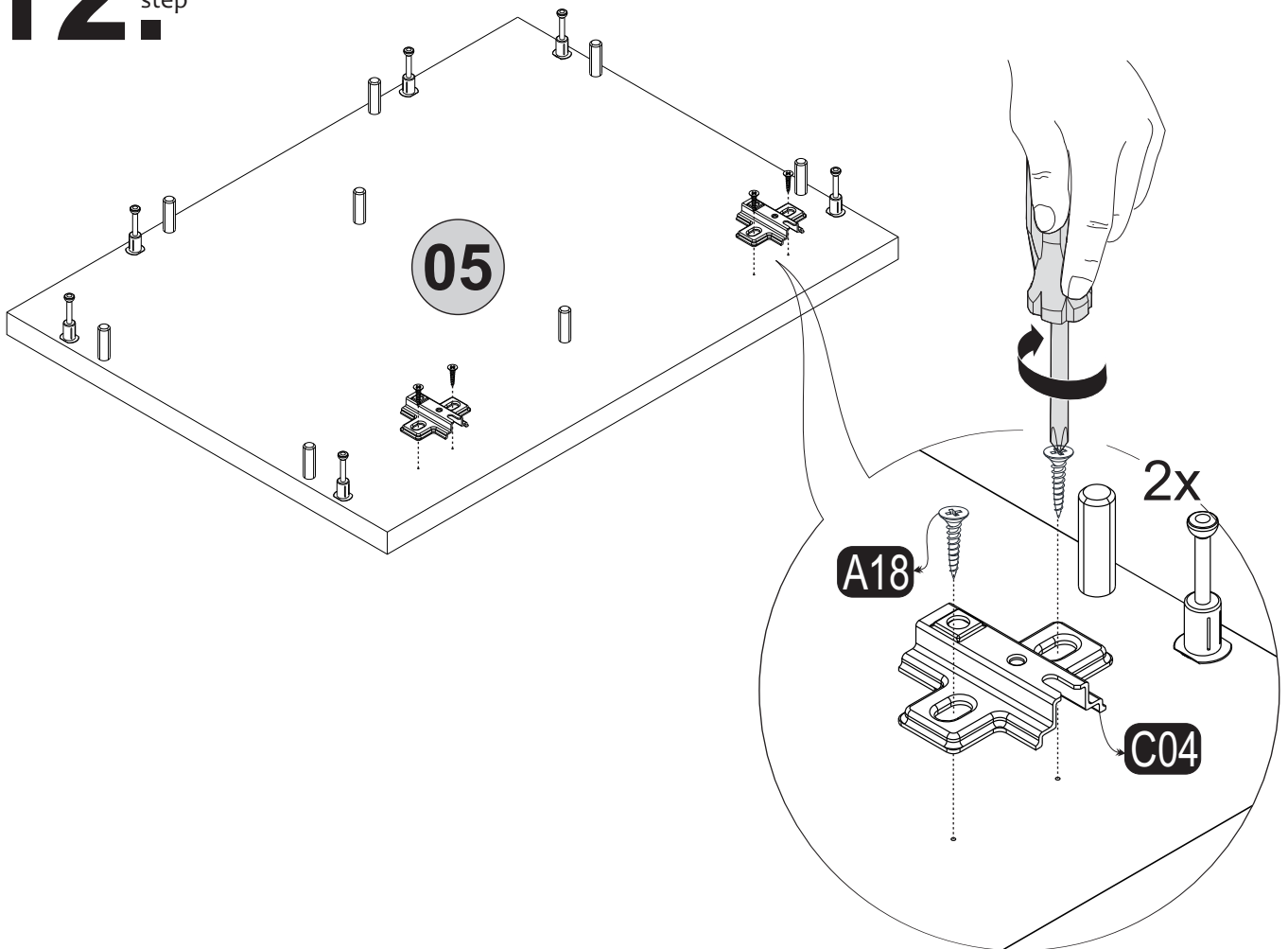
10_{step}



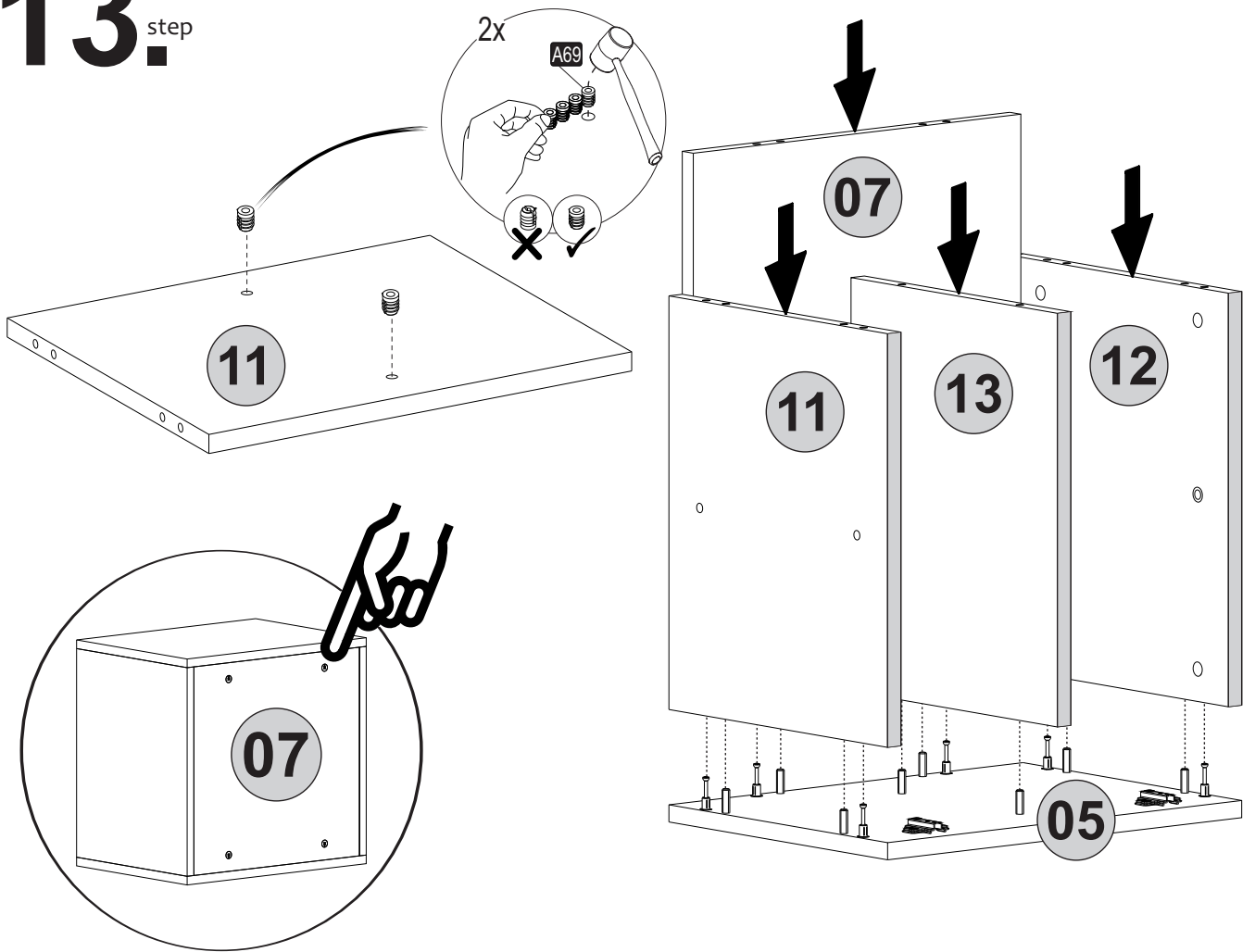
11.^{step}



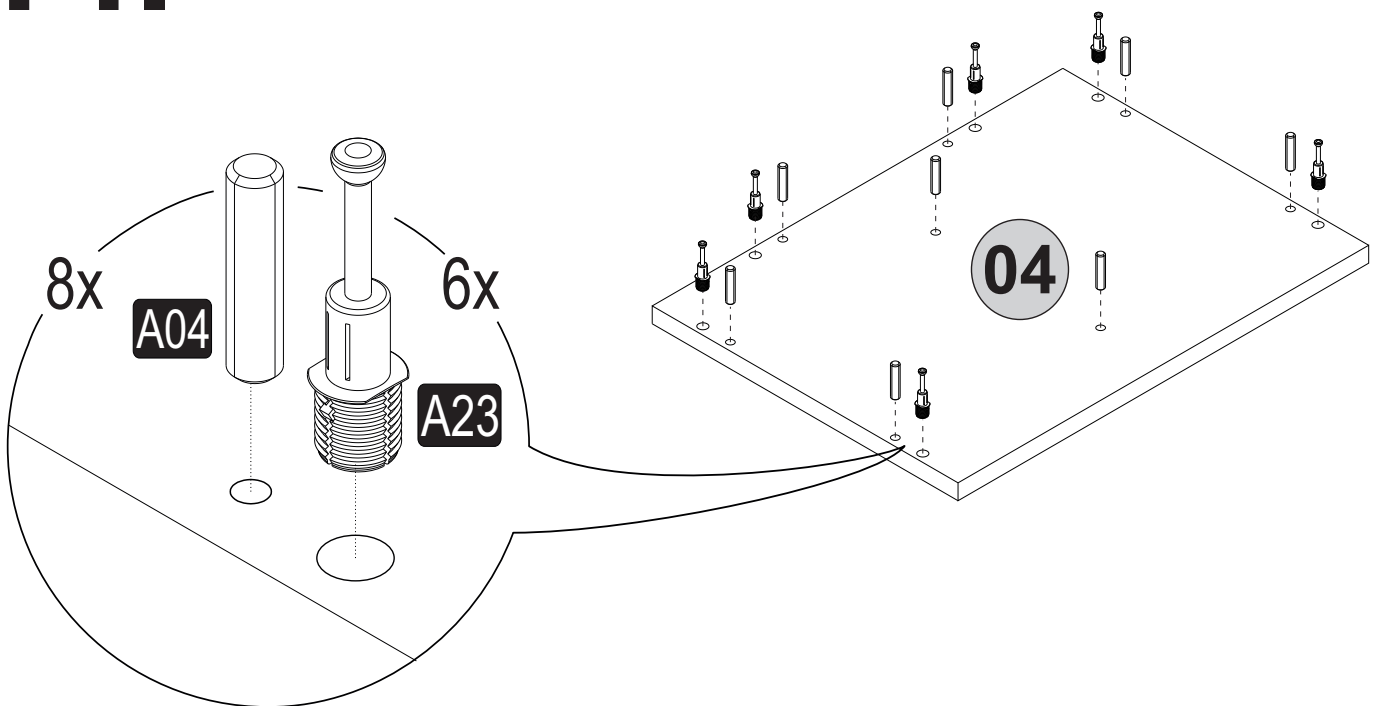
12.^{step}



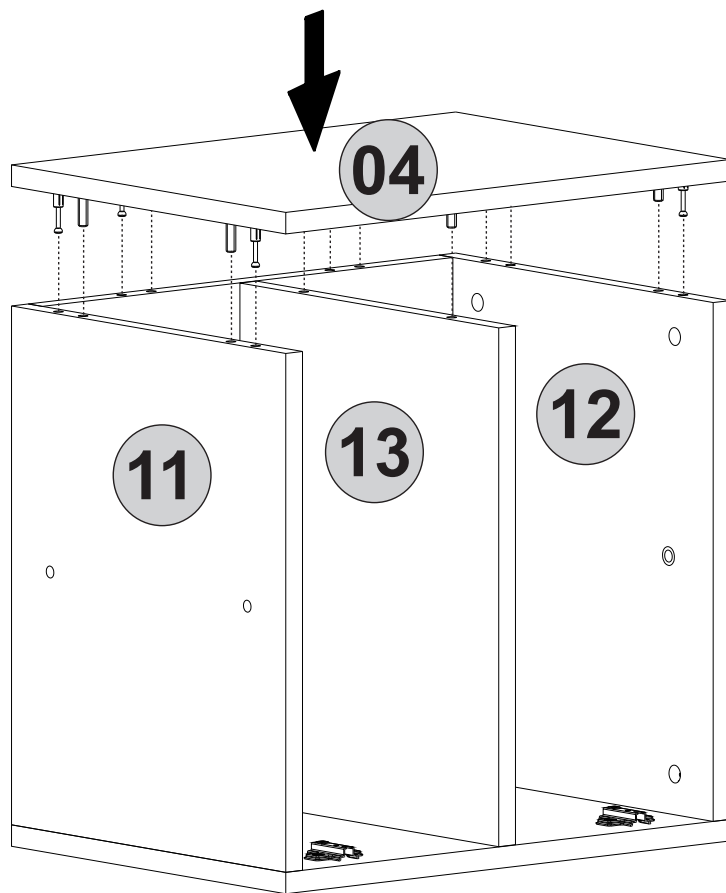
13.^{step}



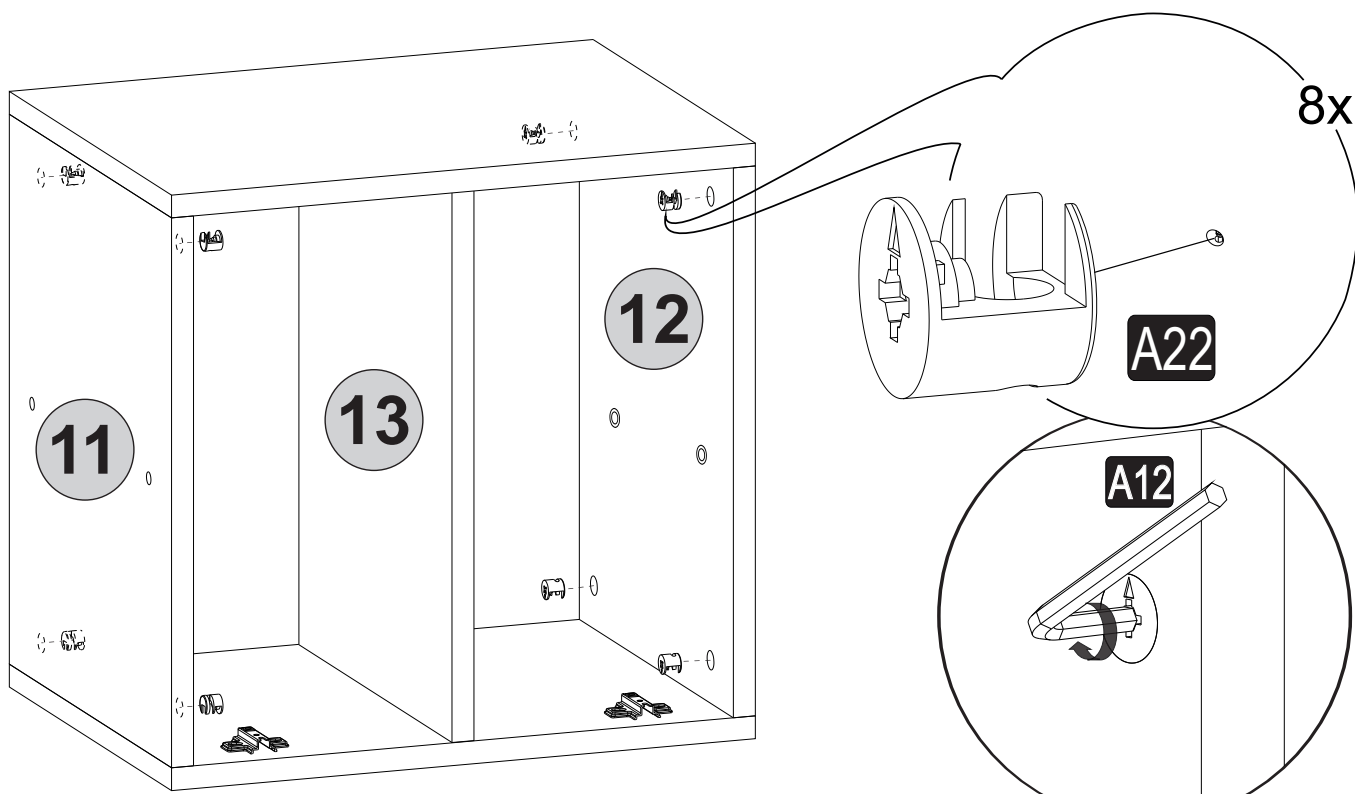
14.^{step}



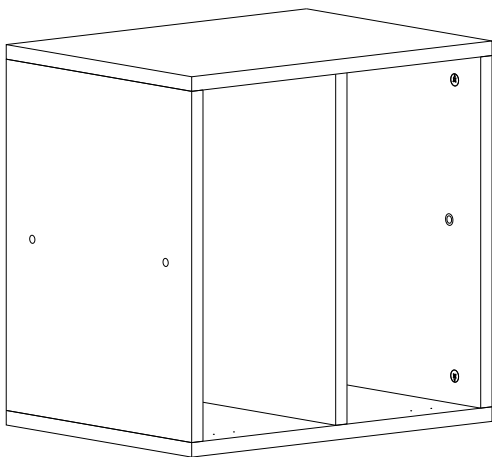
15.^{step}



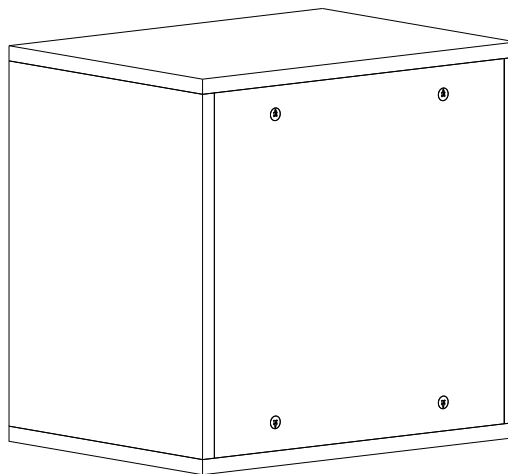
16.^{step}



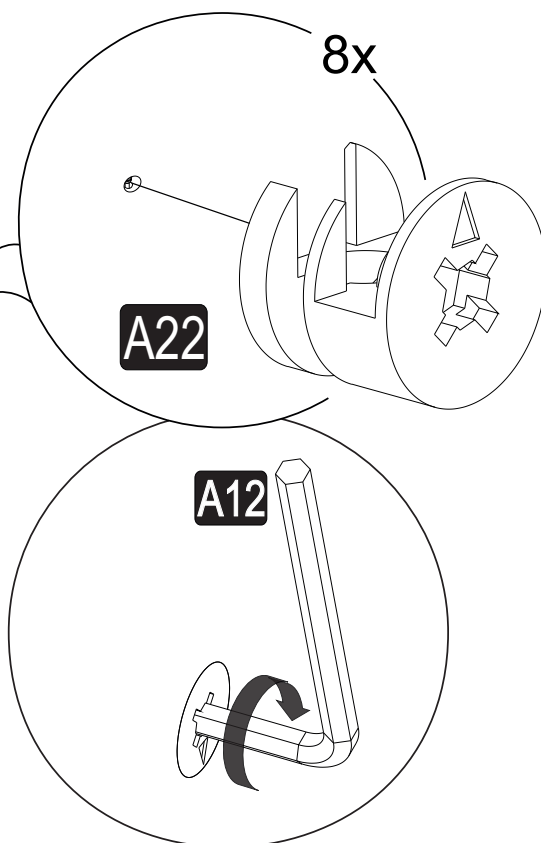
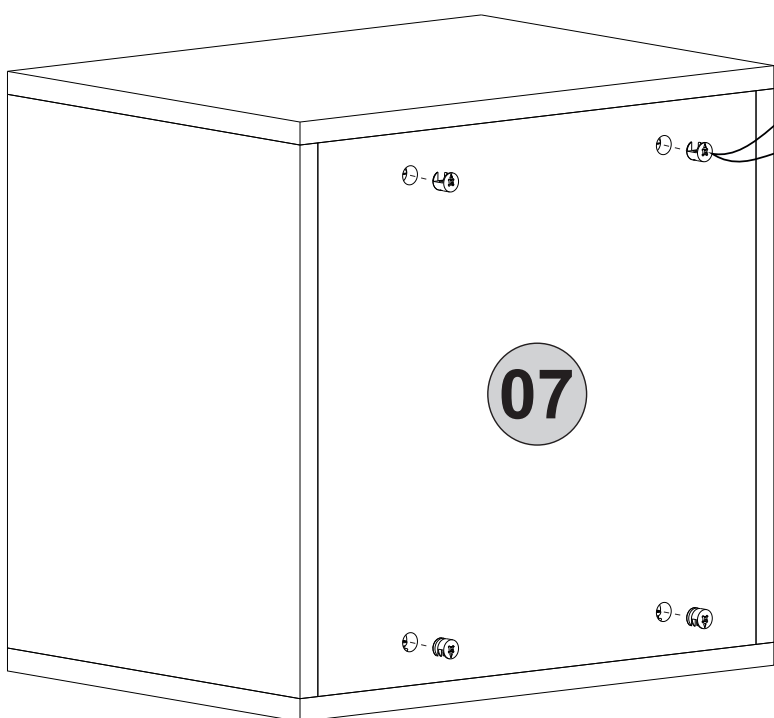
17.^{step}



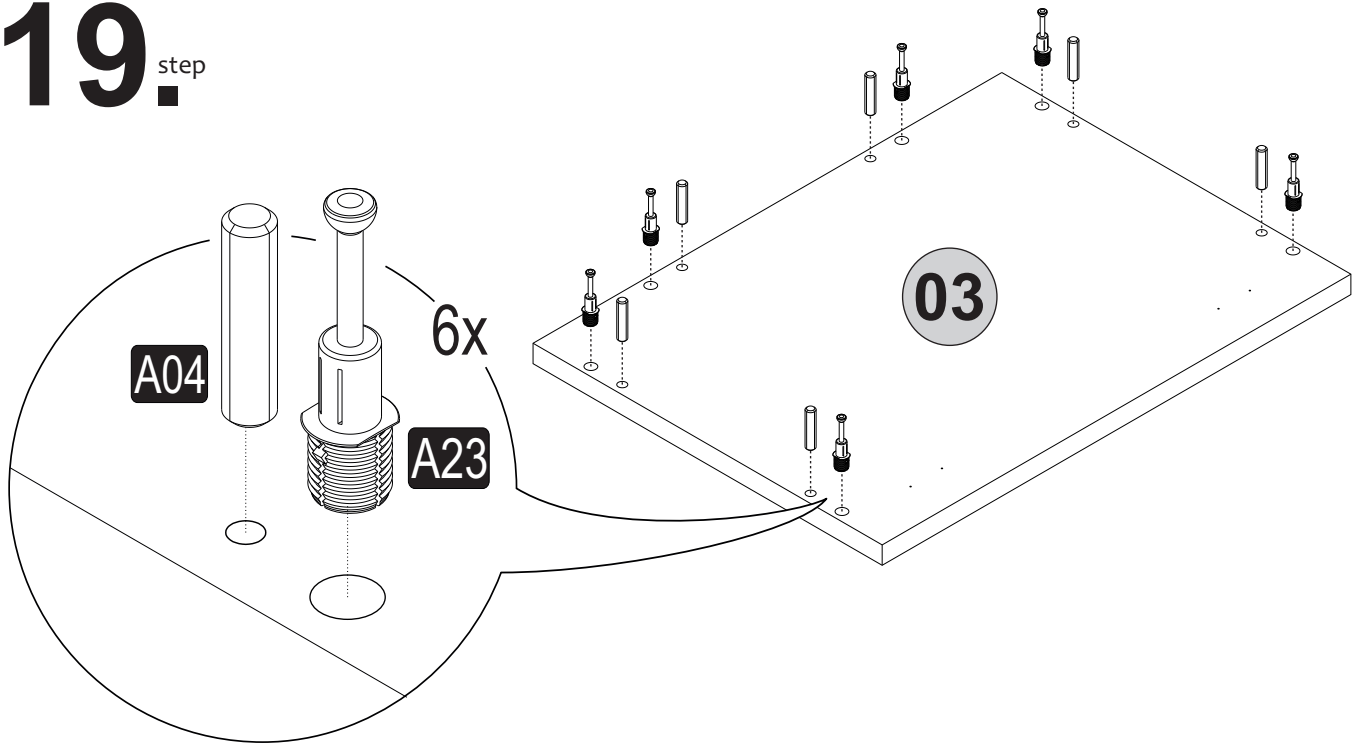
Rotate 



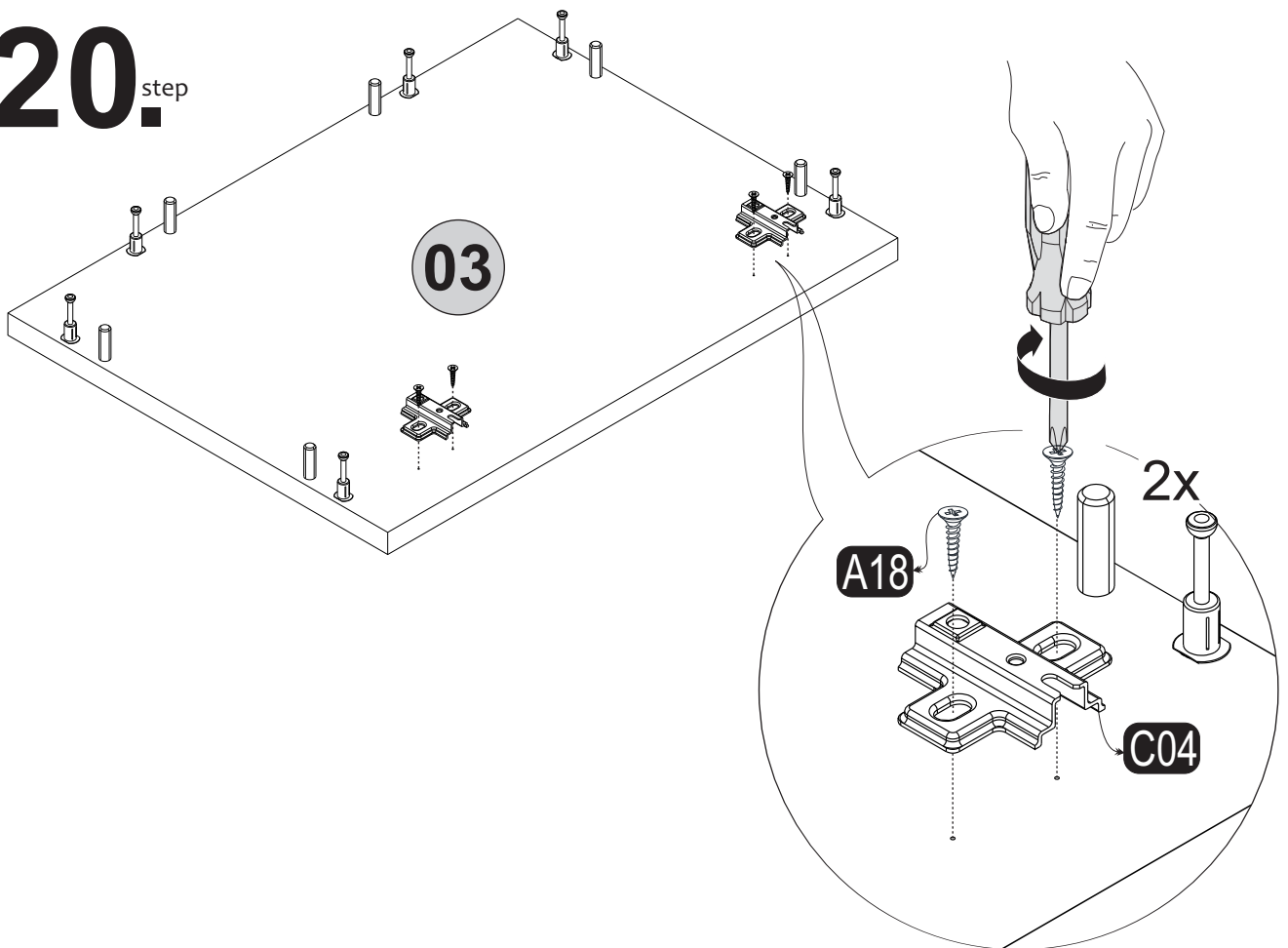
18.^{step}



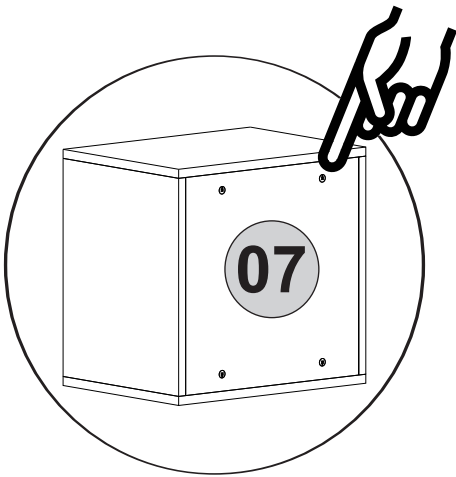
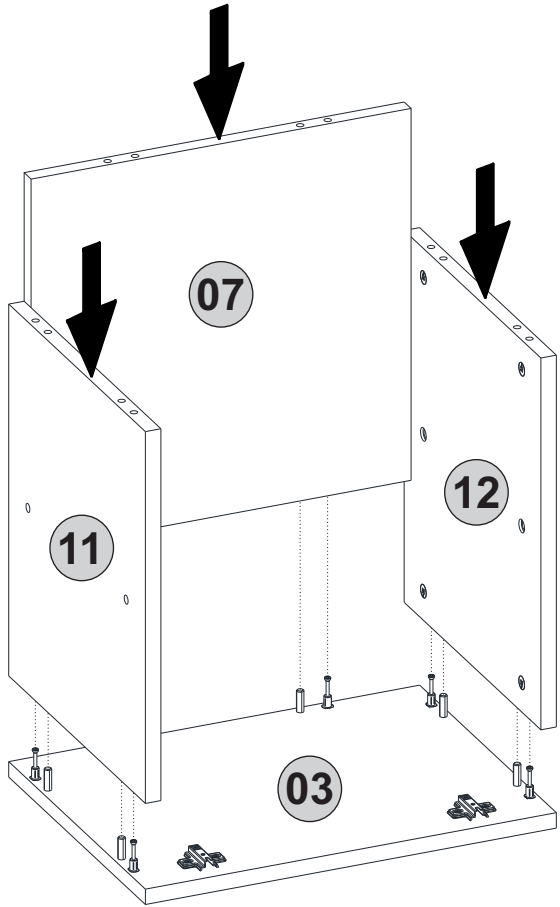
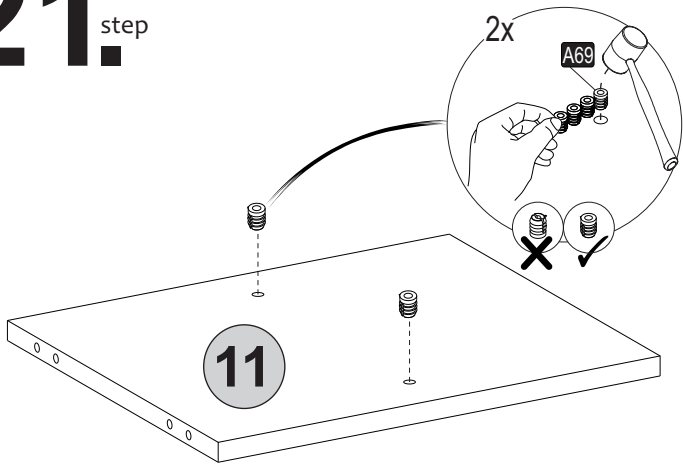
19.^{step}



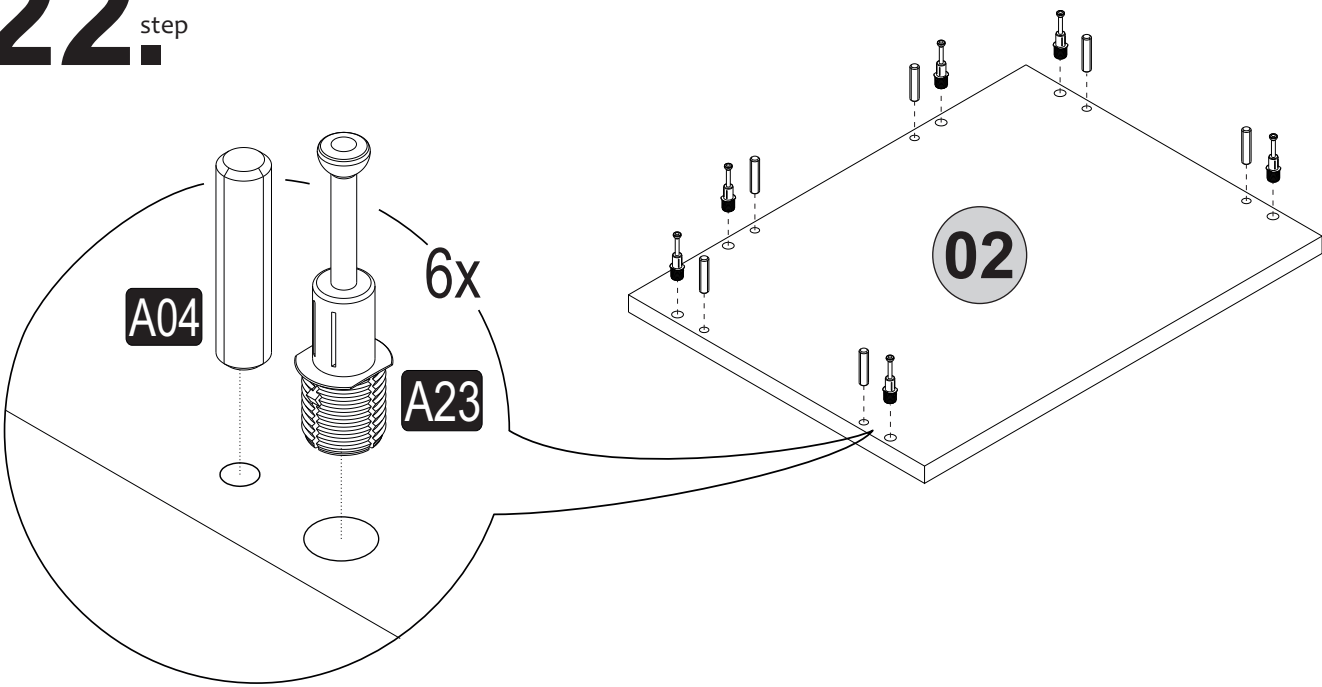
20.^{step}



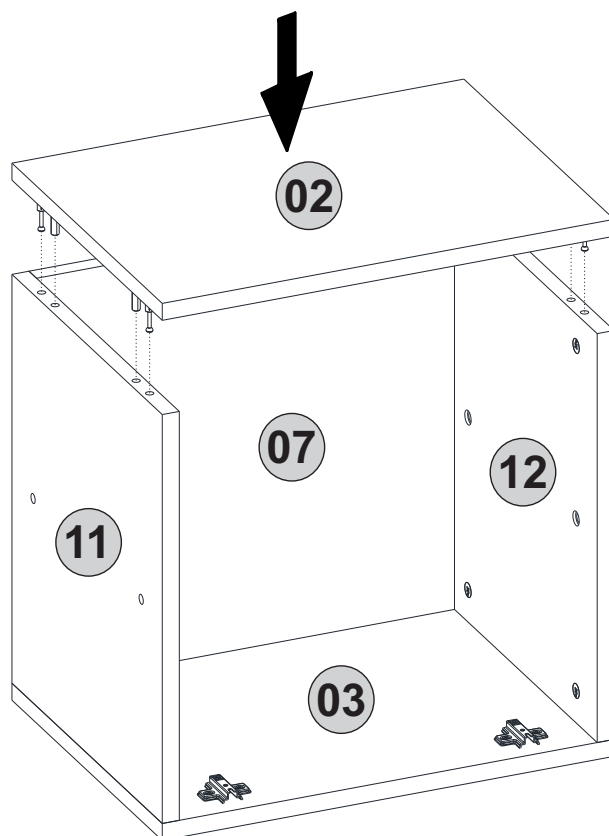
21.^{step}



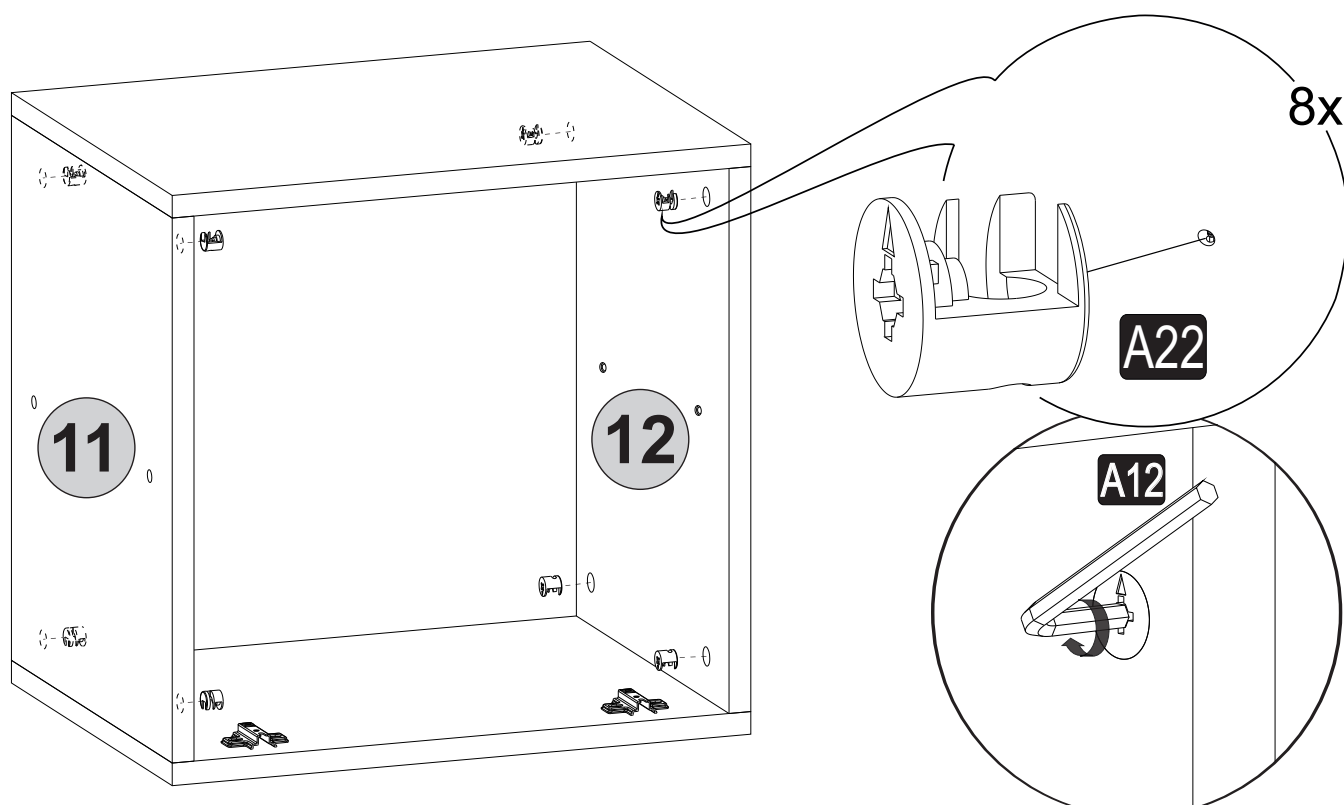
22.^{step}



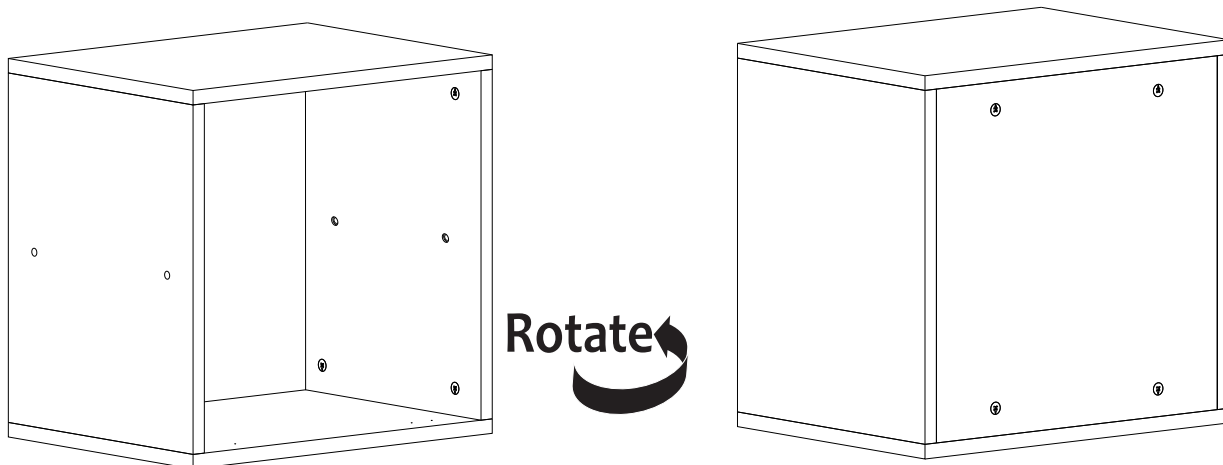
23.^{step}



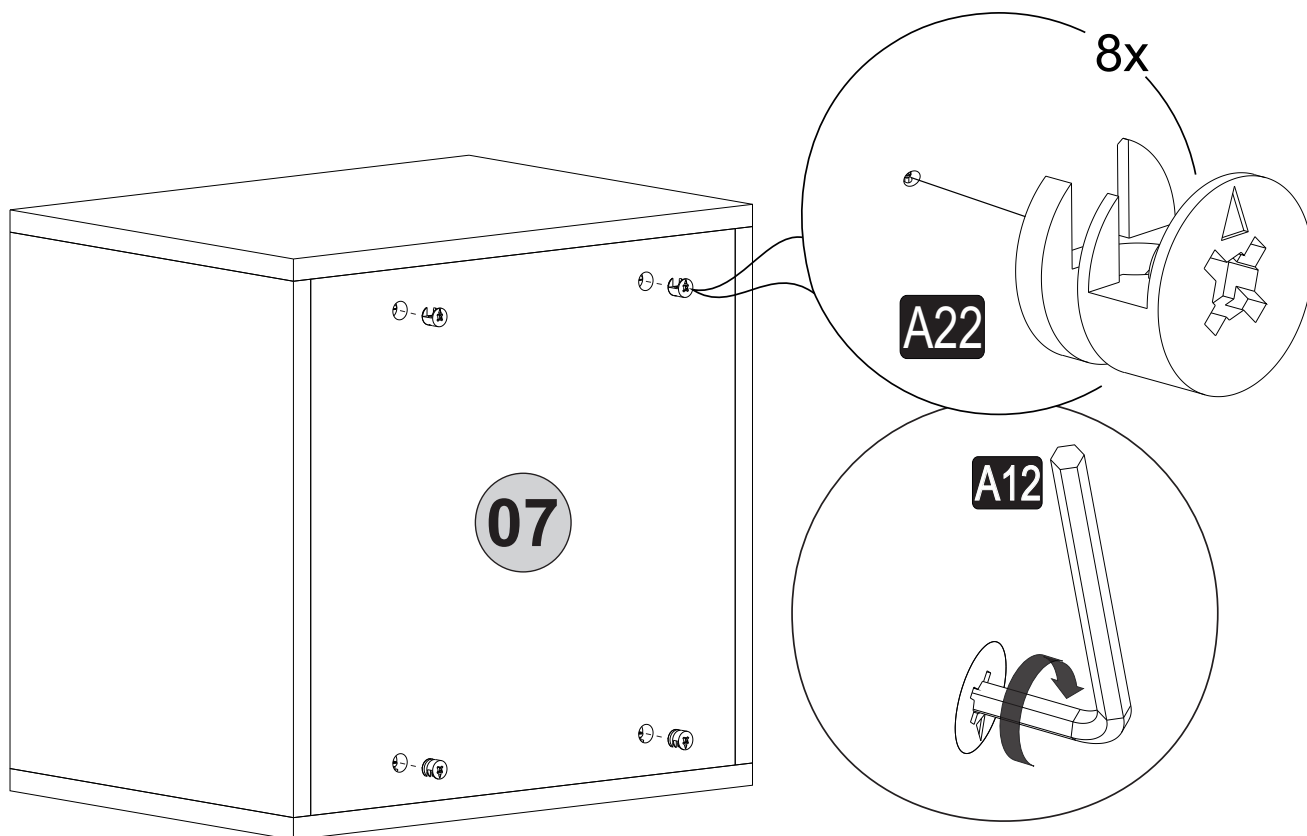
24.^{step}



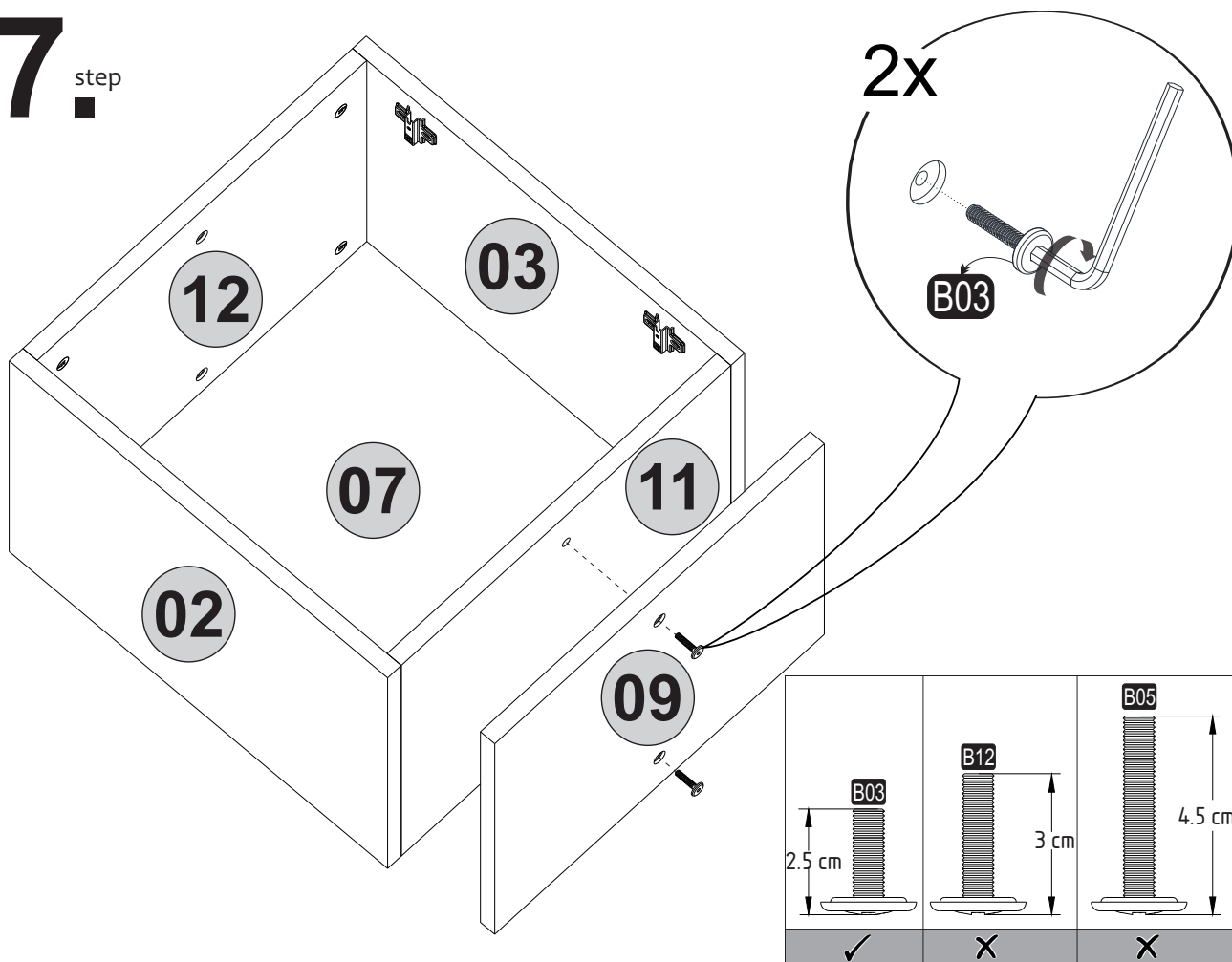
25.^{step}



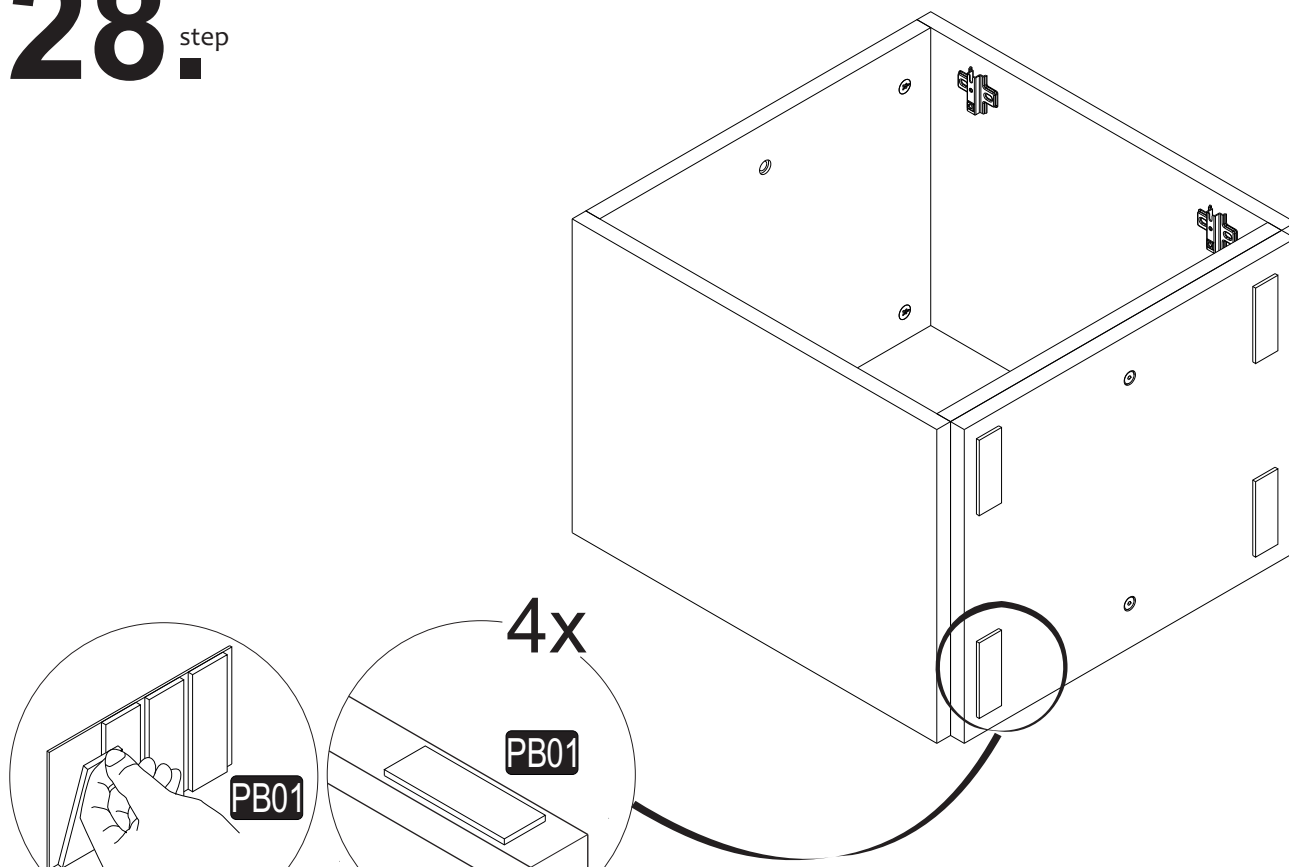
26.^{step}



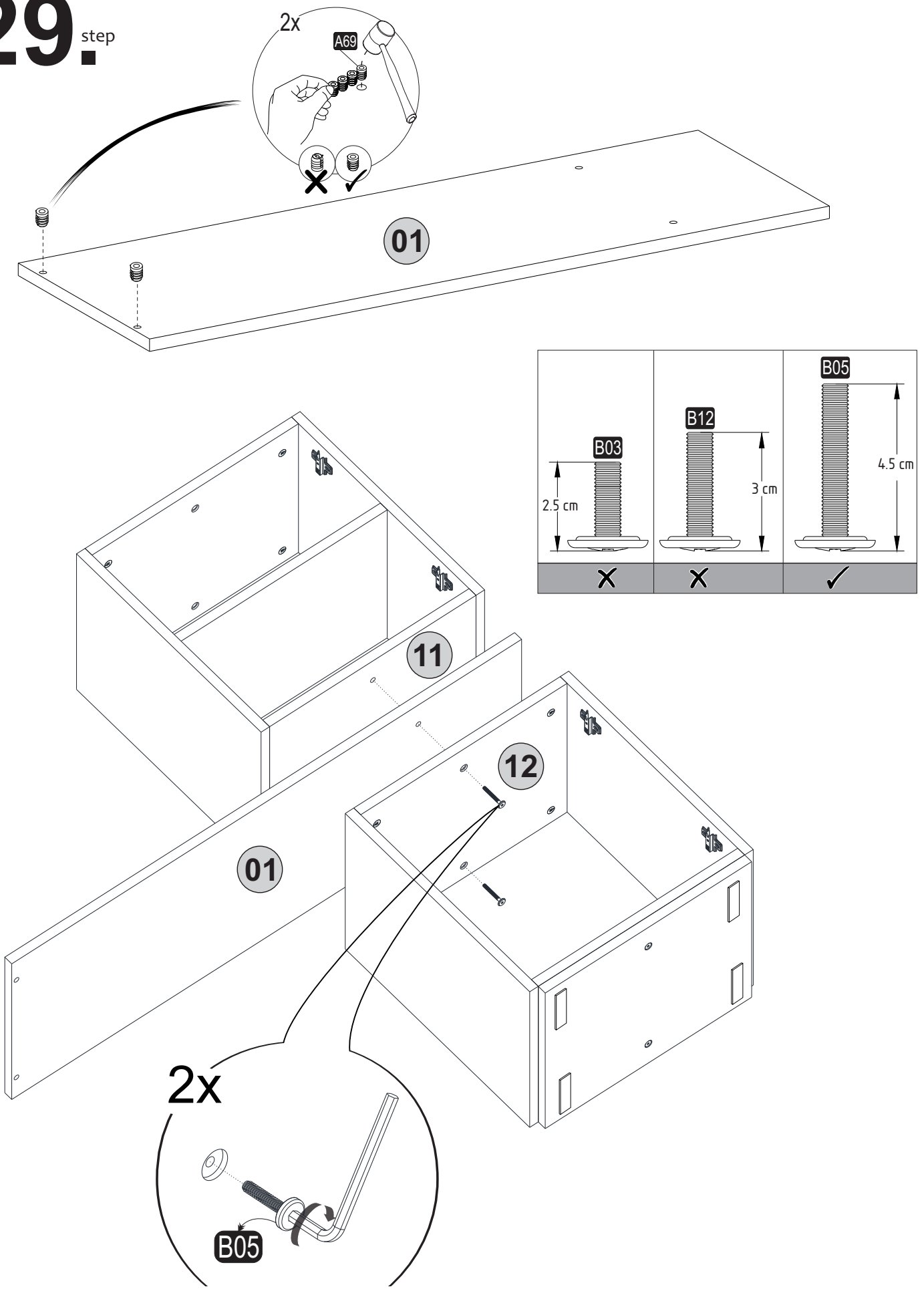
27.^{step}



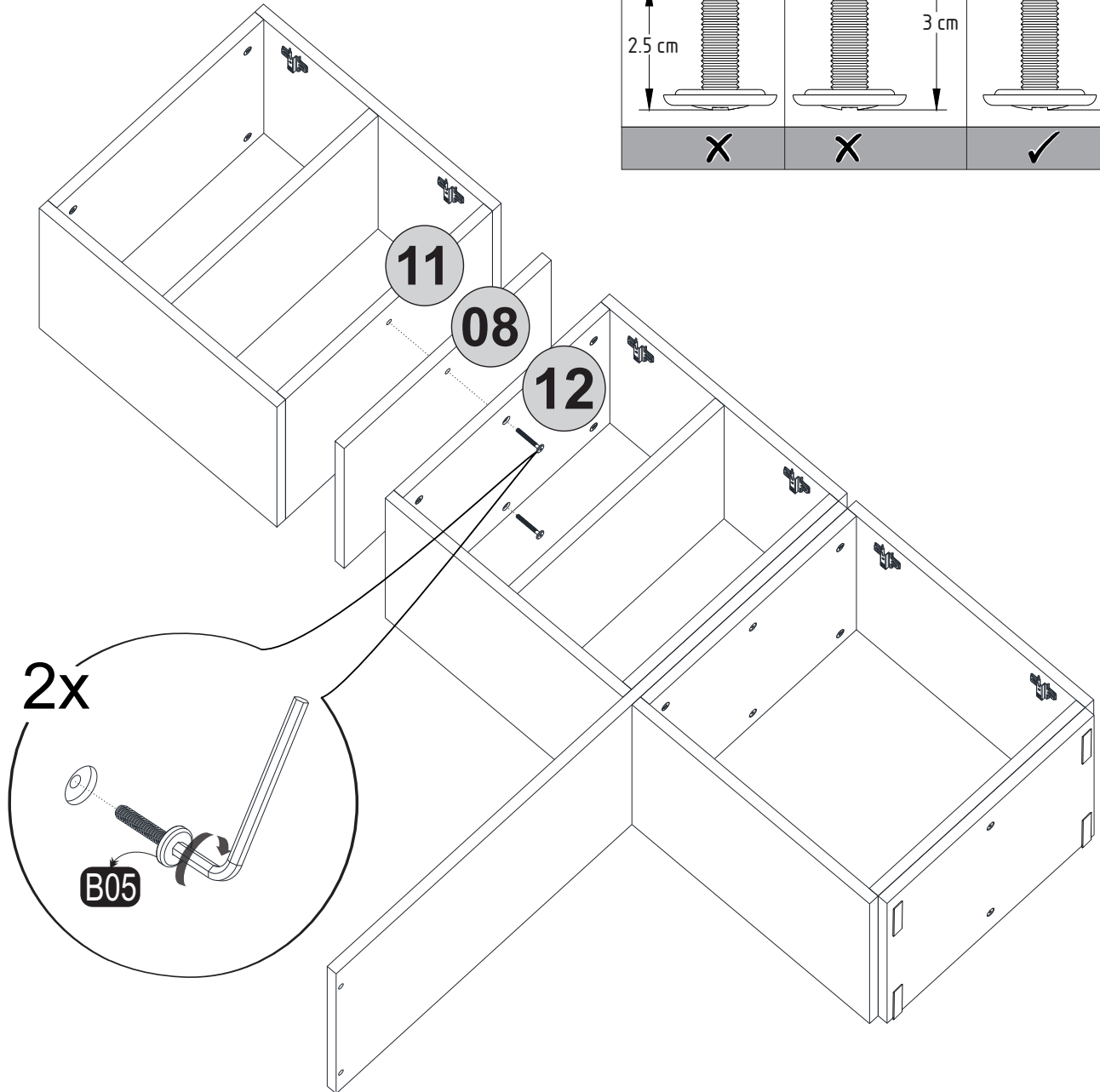
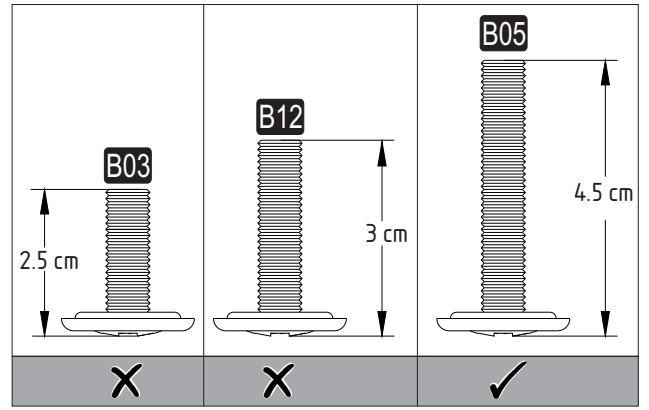
28.^{step}



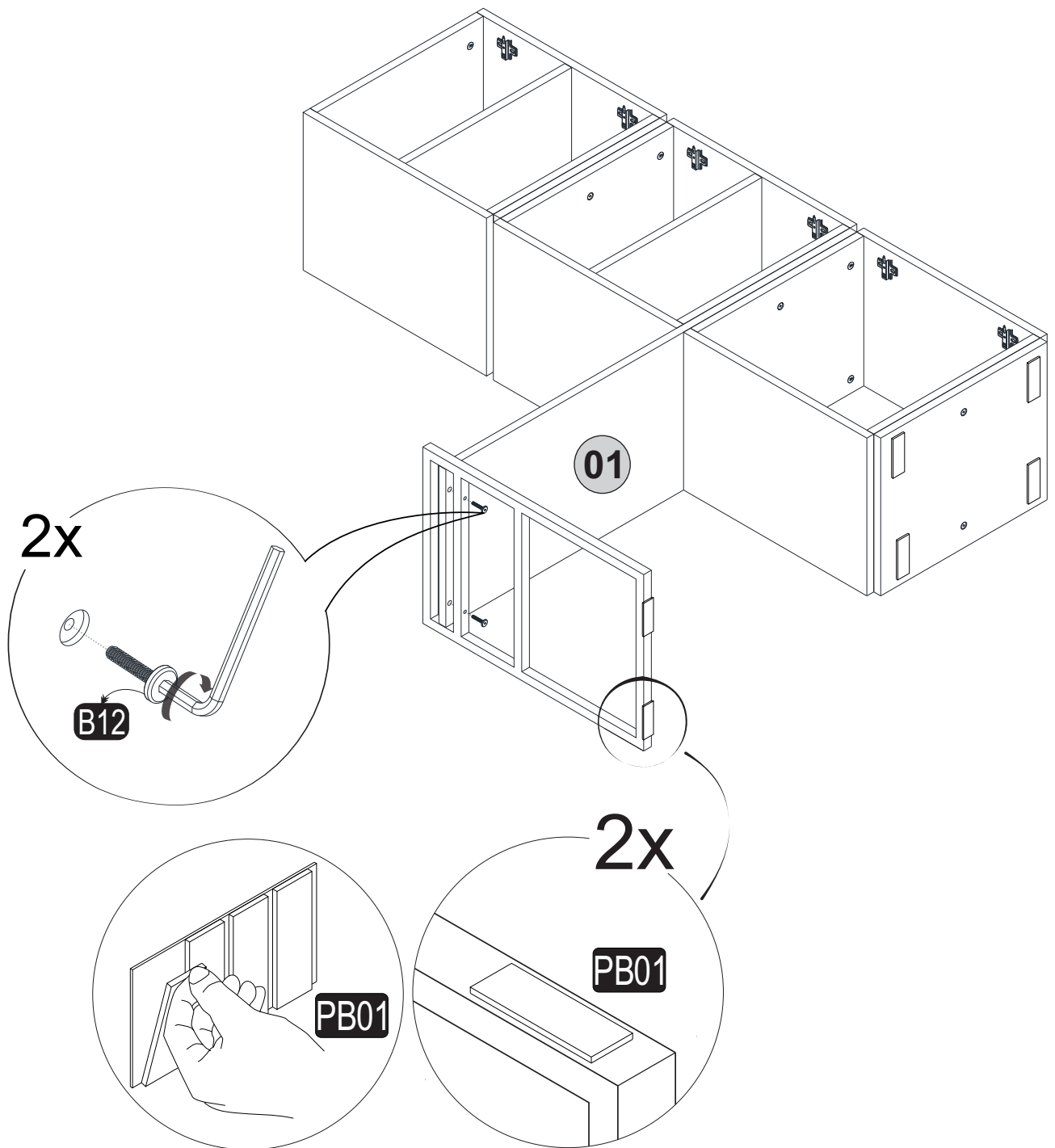
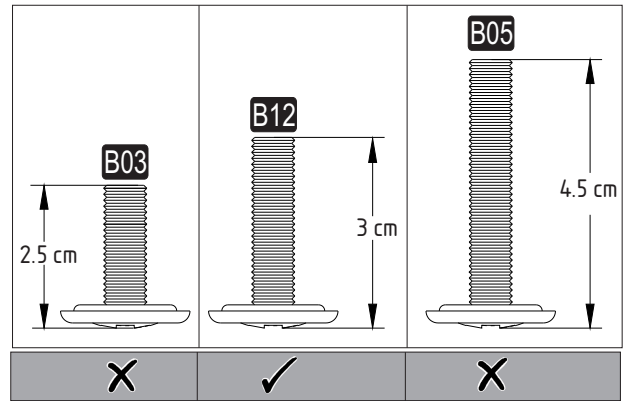
29. step



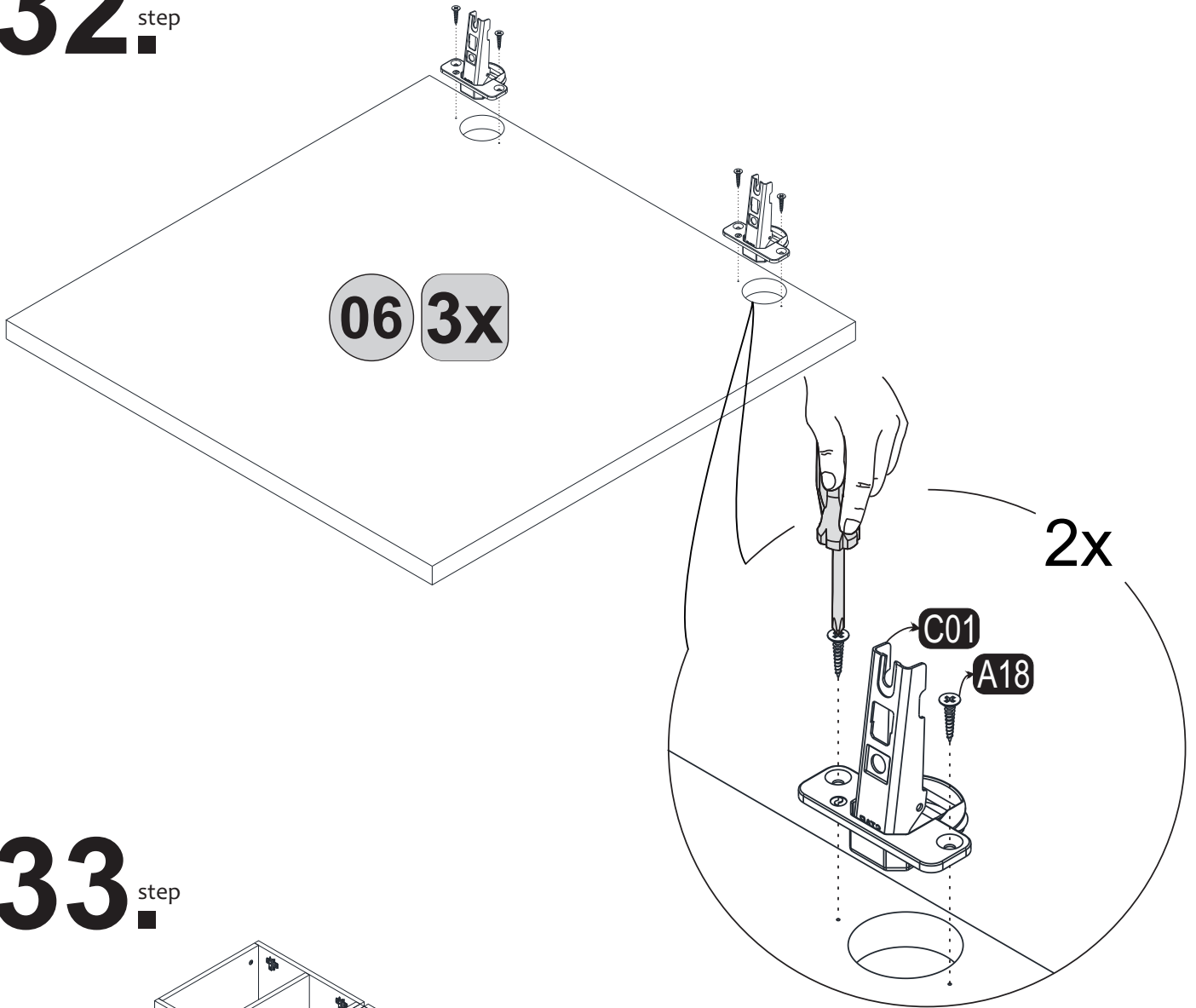
30^{step}



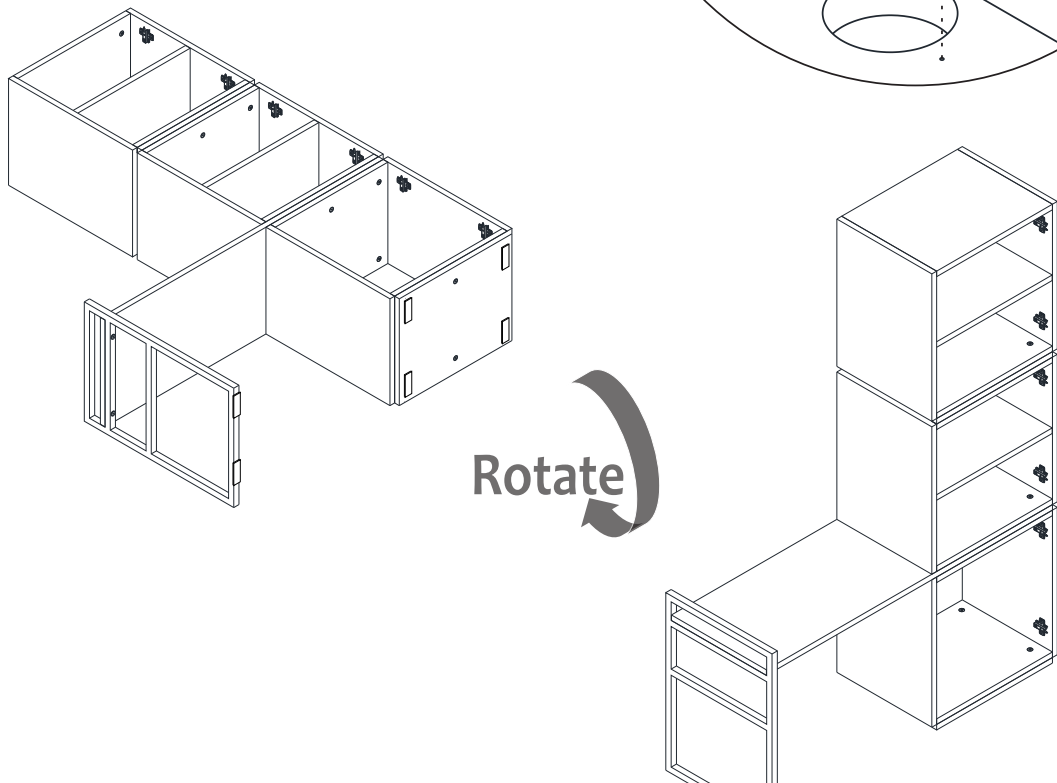
31. step



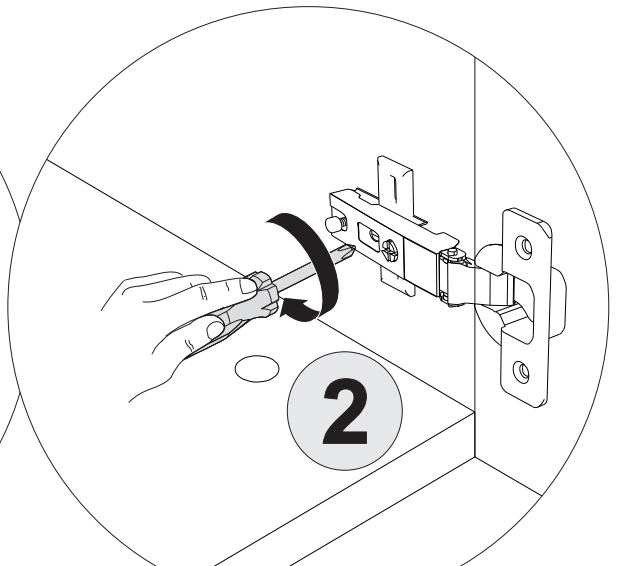
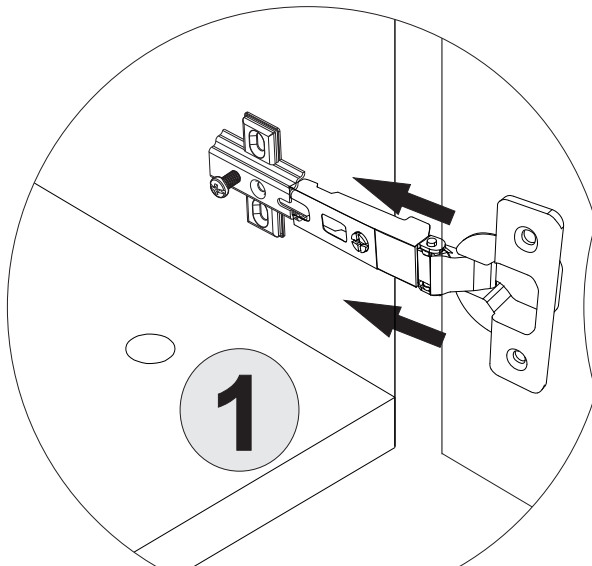
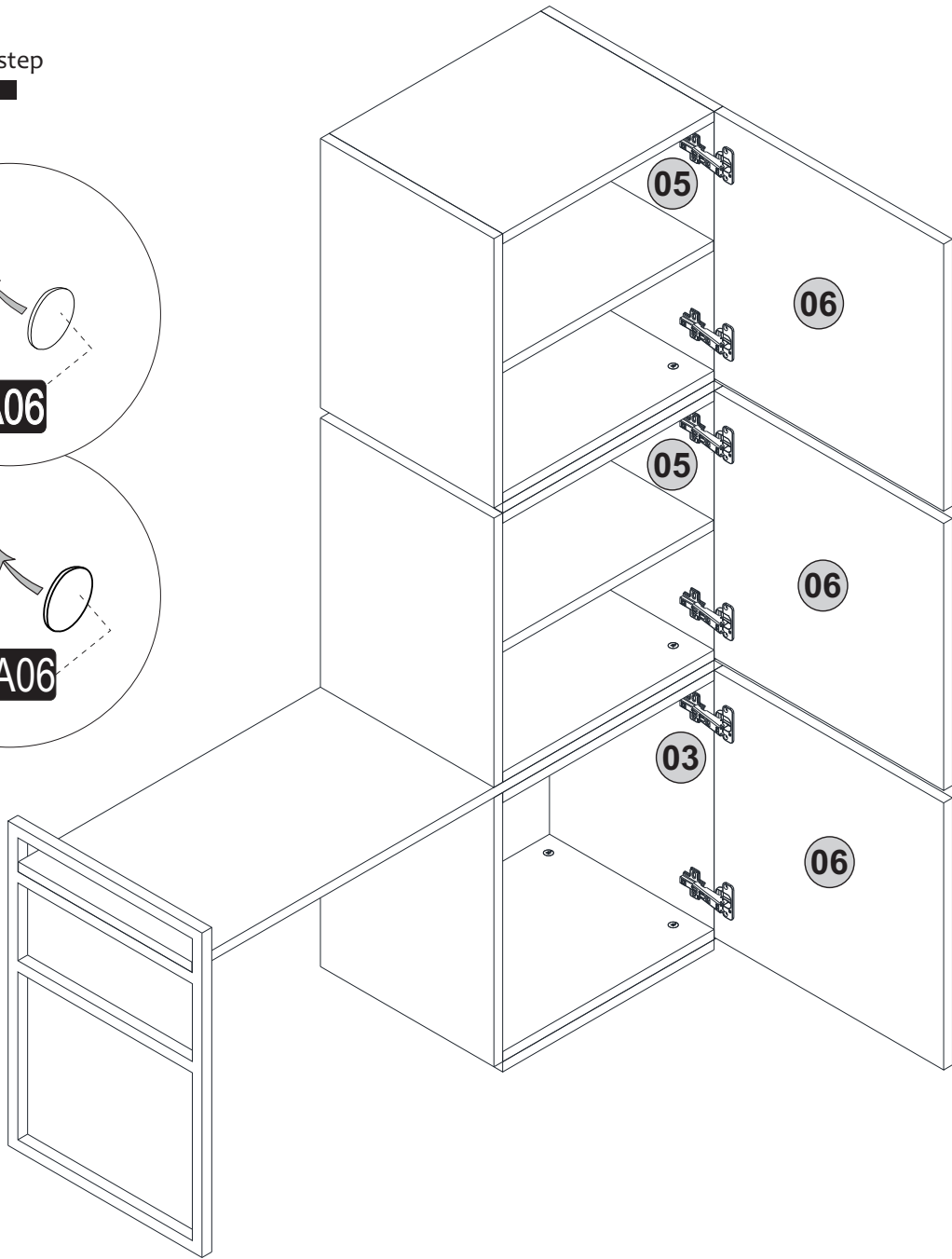
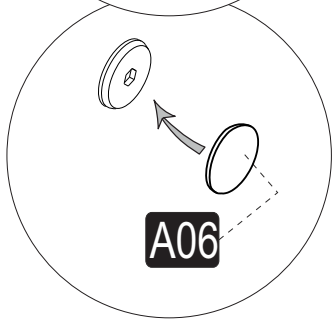
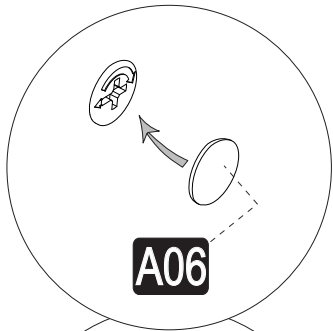
32_{step}



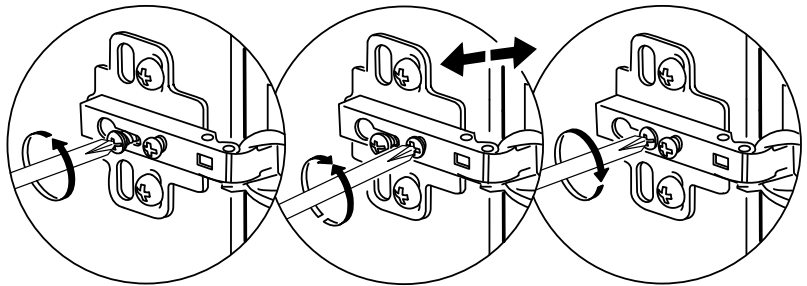
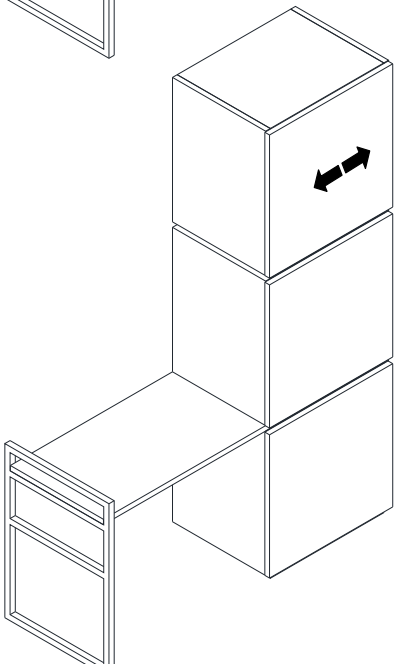
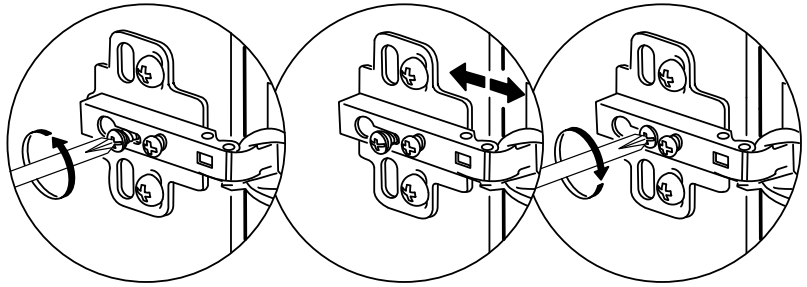
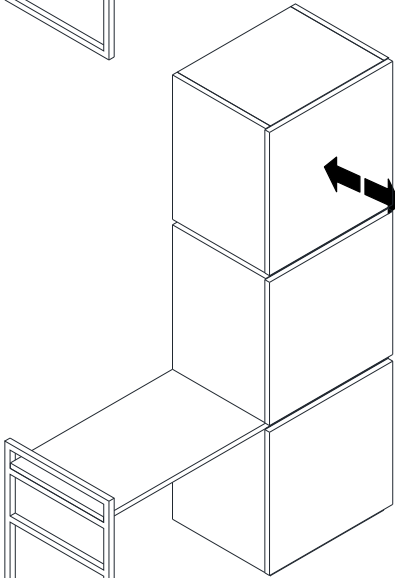
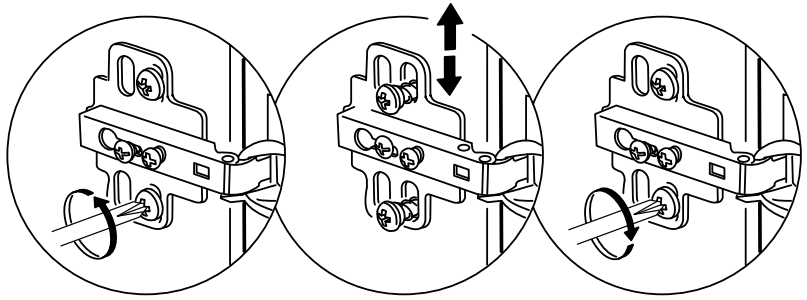
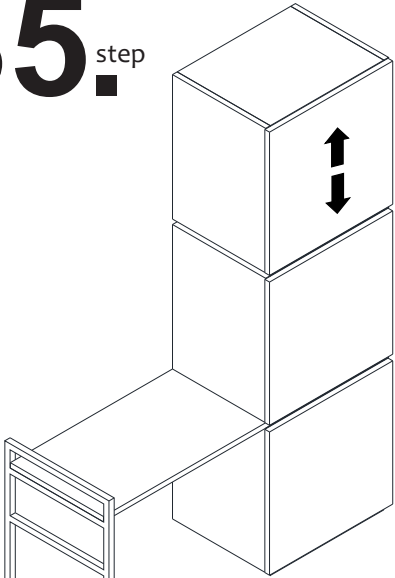
33_{step}



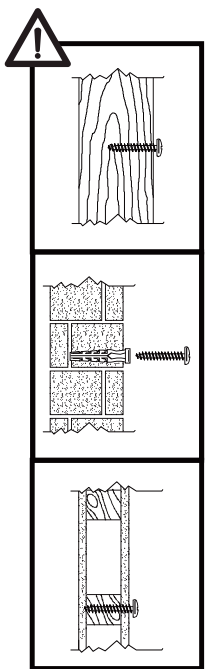
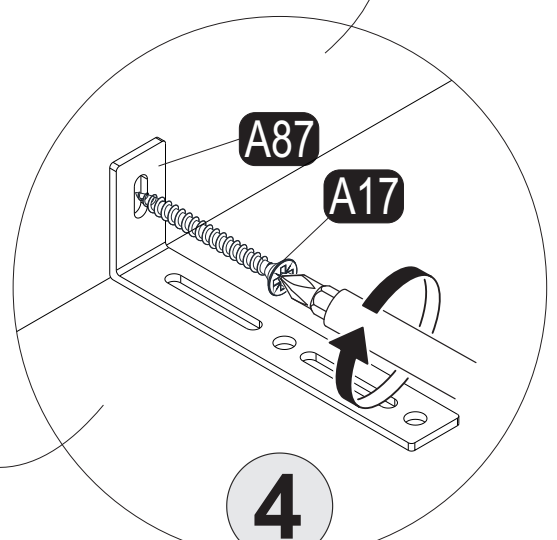
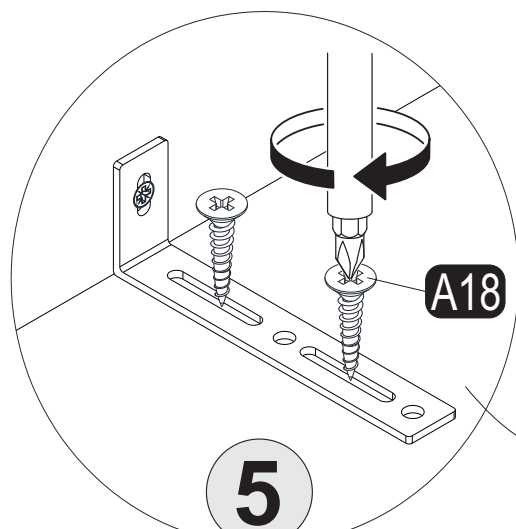
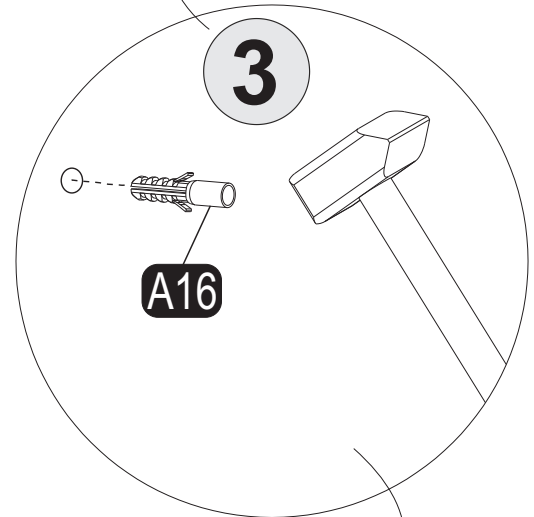
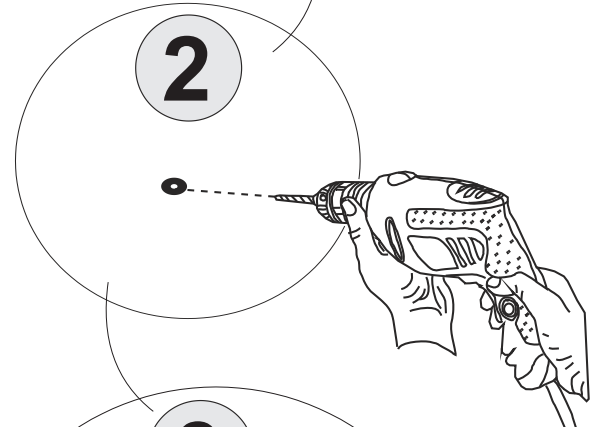
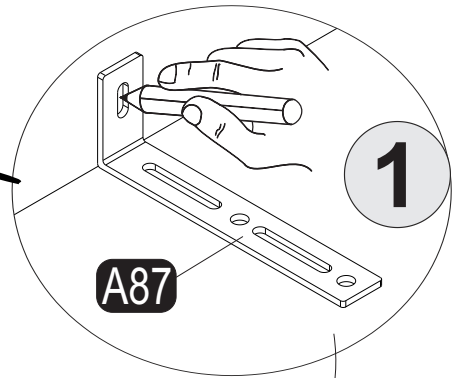
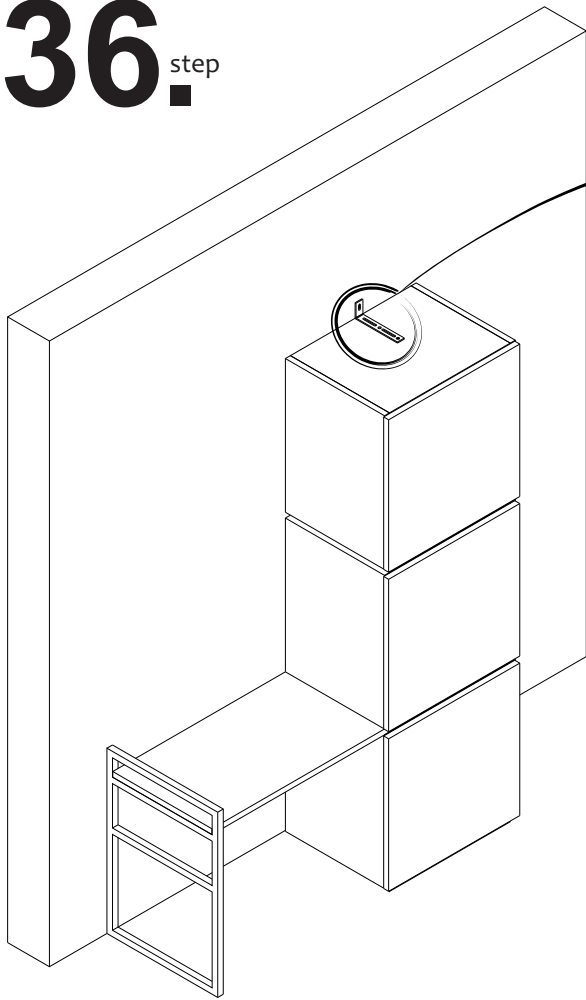
34^{step}



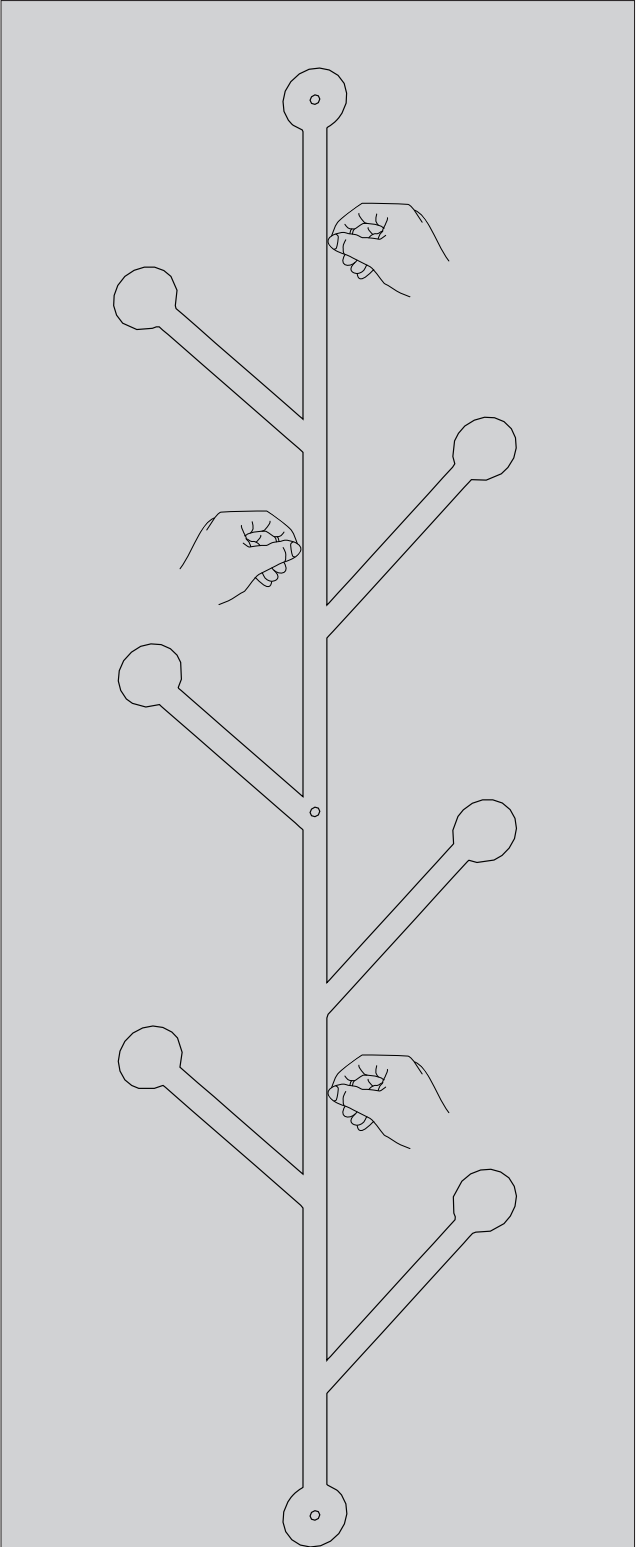
35^{step}



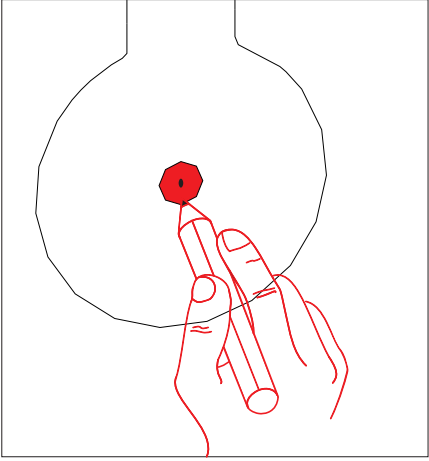
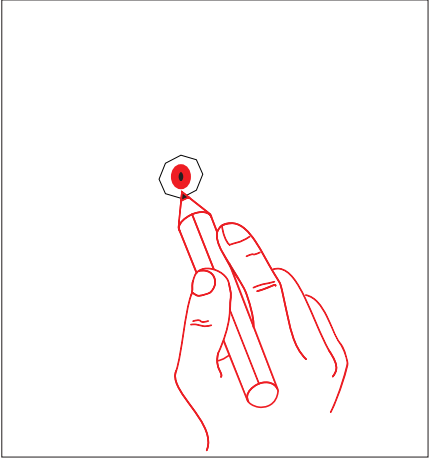
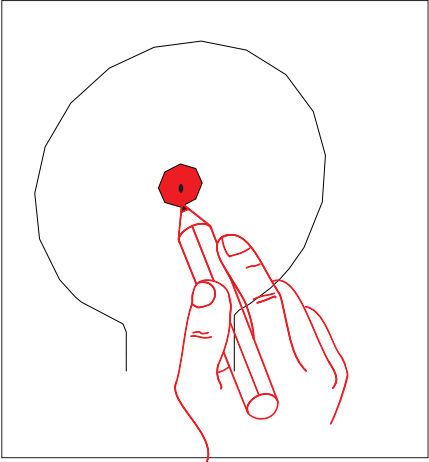
36^{step}



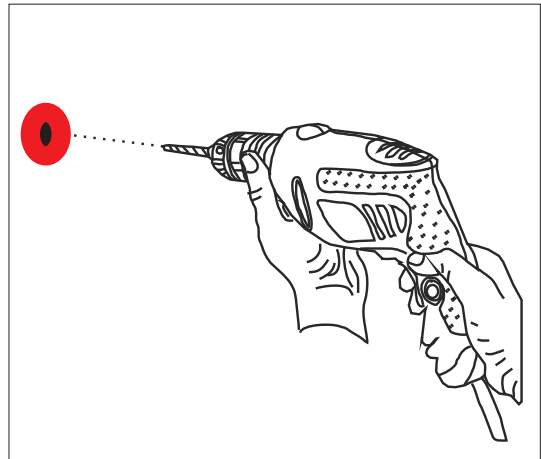
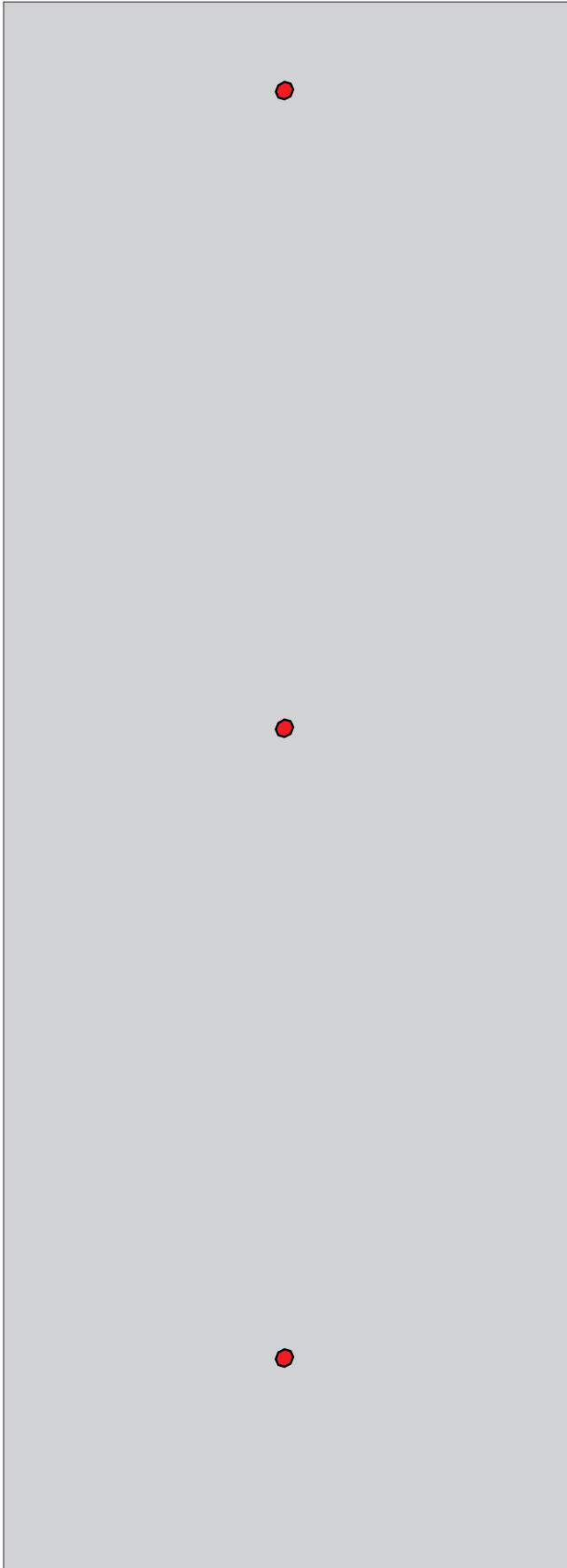
Step 1



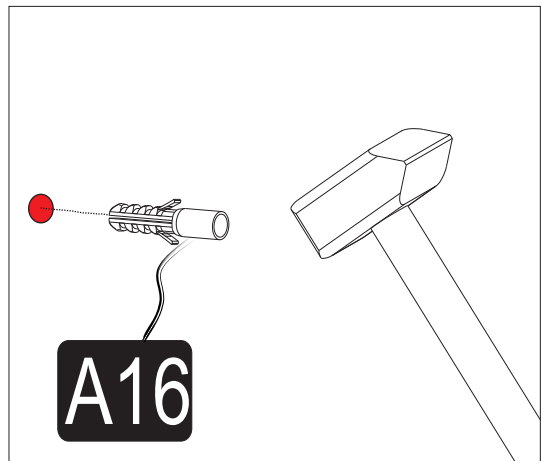
Hold the product in a fixed position on the wall.
Mark the center of the hole with a pen.



Step 2



Drill the marked locations with a drill



Attach the plugs to the drilled places.

Step 3

