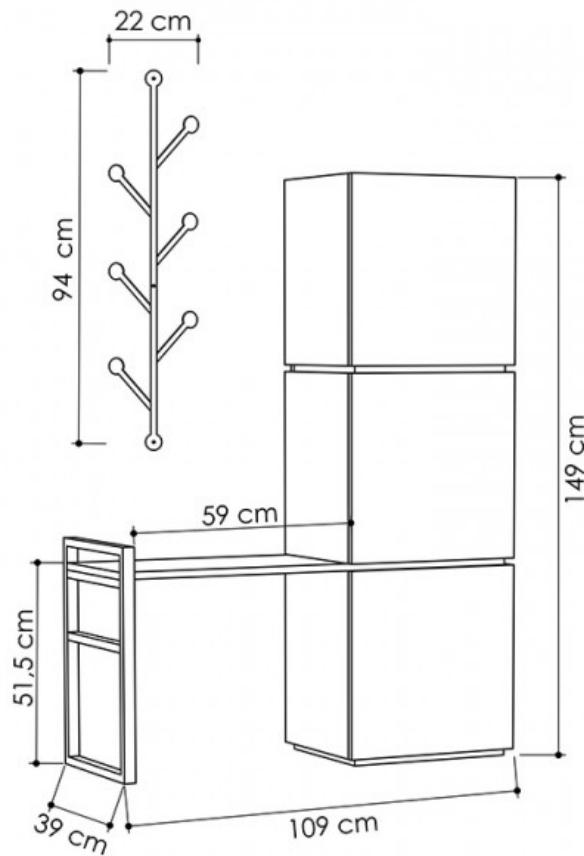

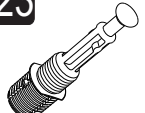

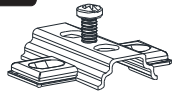
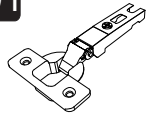
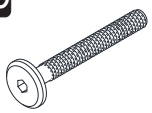

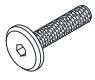

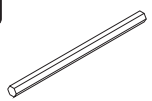


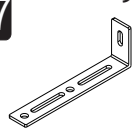
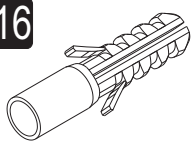

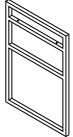

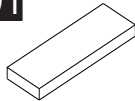
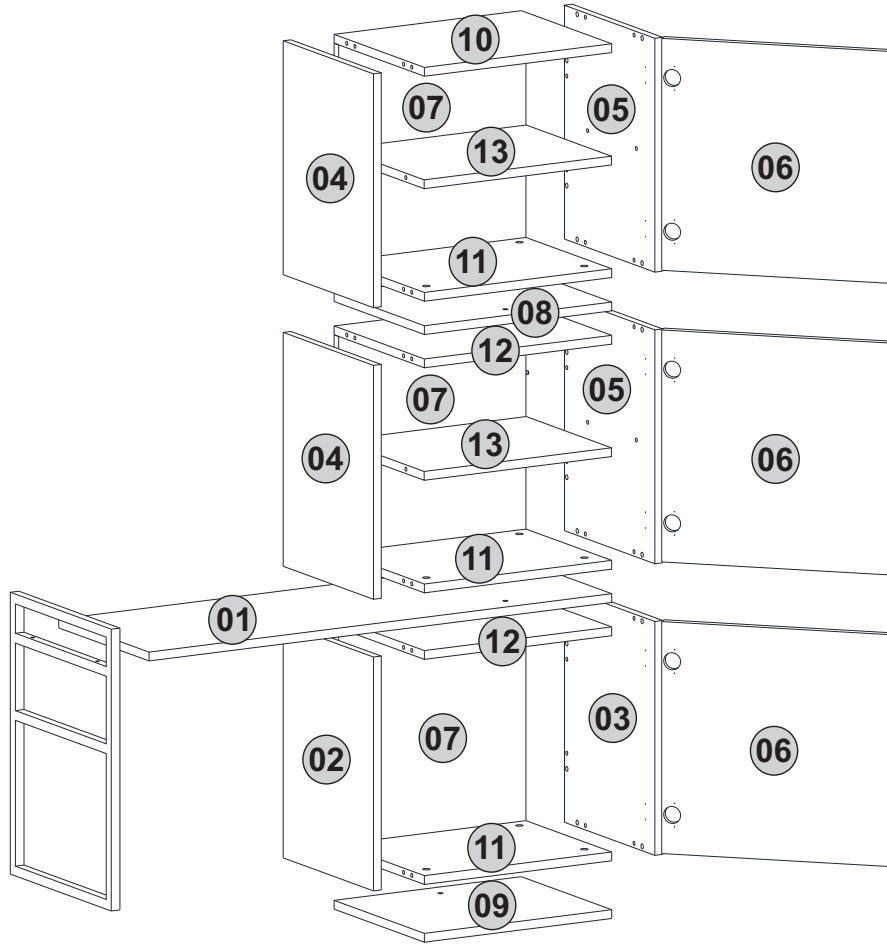




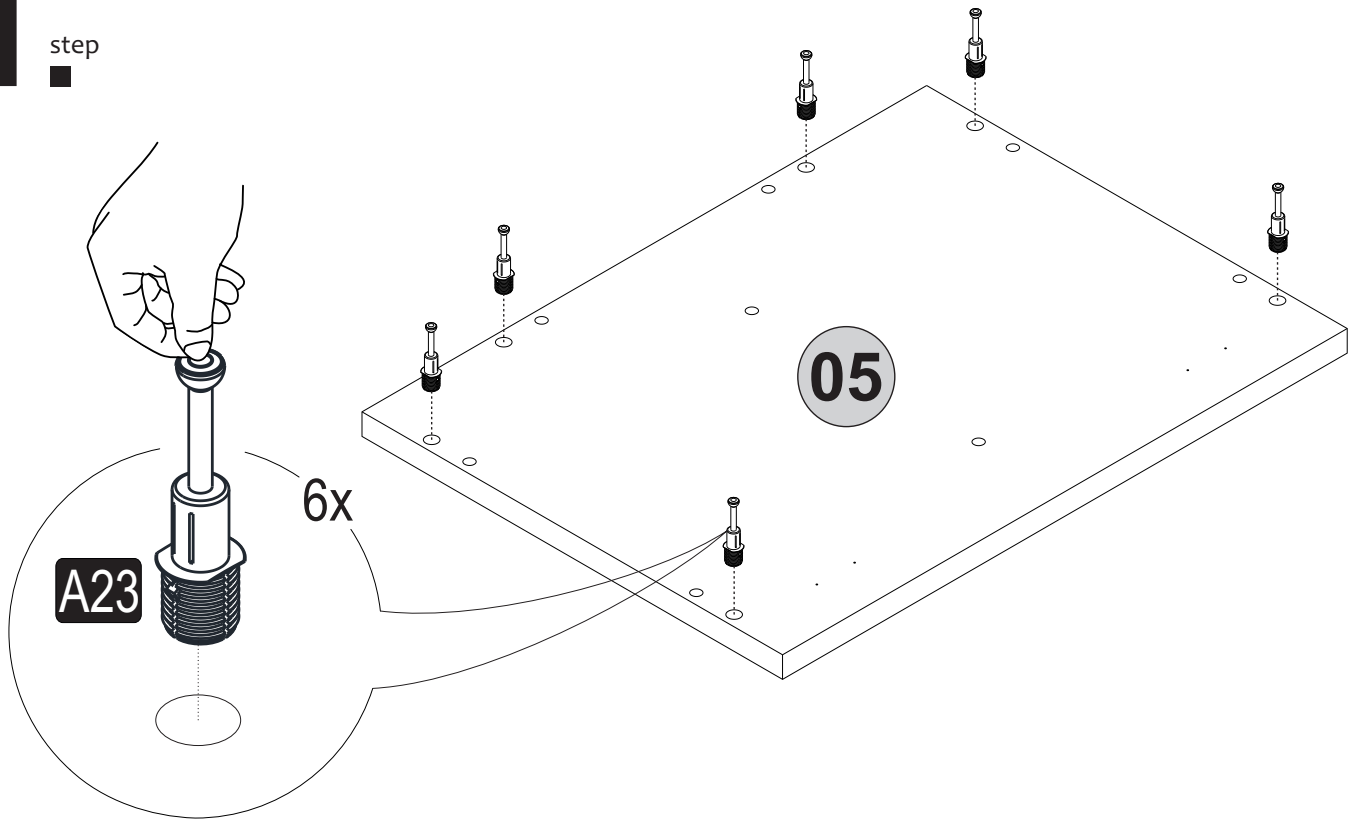
**GP037-0105,2**



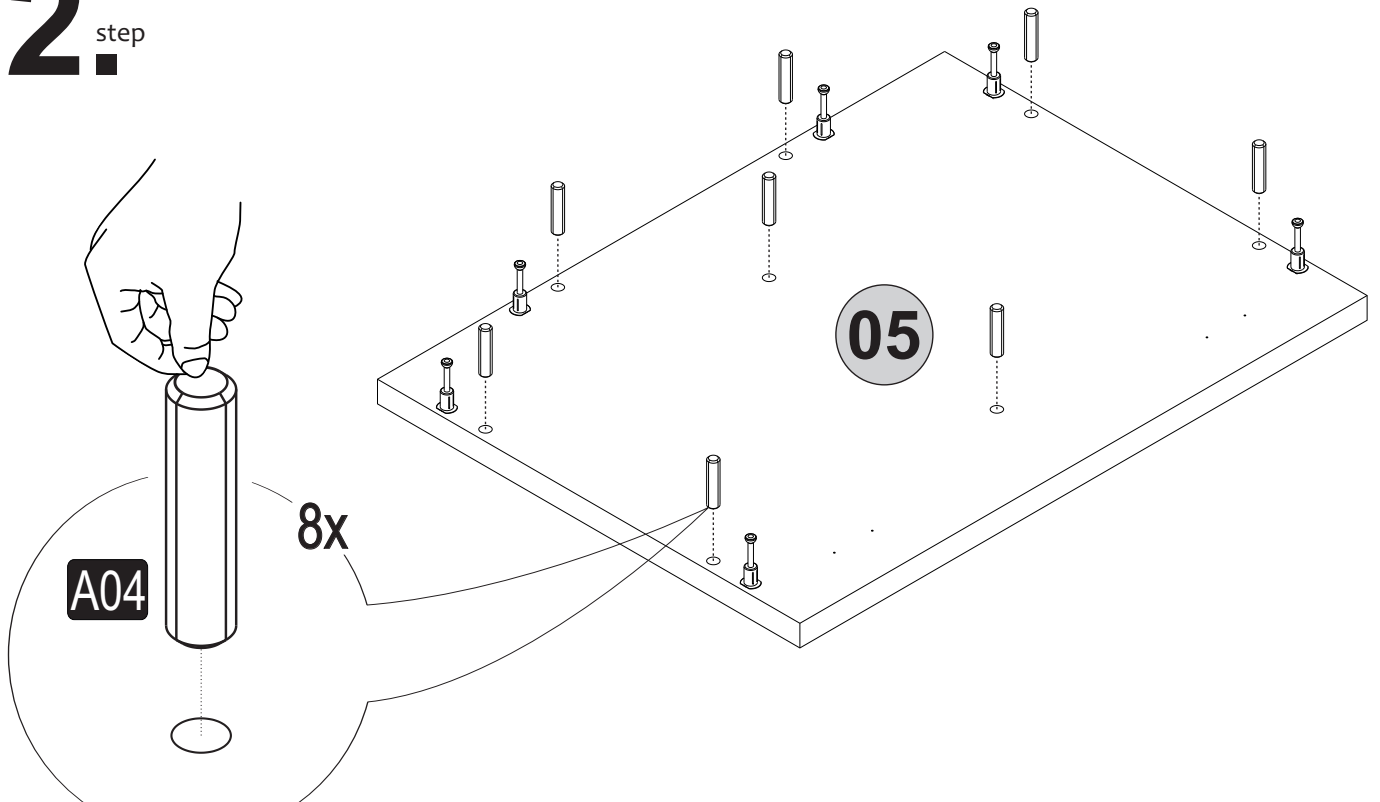
<b>A22</b> Minifix k18  36x	<b>A23</b> Minifix M10  36x	<b>A04</b> Ø8  44x	<b>C04</b> Ma  6x	<b>C01</b> Düz Mentеше  6x
<b>B05</b> 45 mm  4x	<b>B12</b> 30 mm Siyah(Black)  2x	<b>B03</b> 25 mm  2x	<b>A12</b> 4 SW  1x	<b>A26</b>  1x
<b>A69</b> P.D.  8x	<b>A06</b> 18 mm  C1 40x C2 2x	<b>A87</b> 15x90x30  1x	<b>A16</b> Ø8  1x	<b>A17</b> 4x50  1x
<b>P01</b> SYD  1x	<b>A18</b> 3,5x18  26x	<b>PB01</b> Kece  6x		



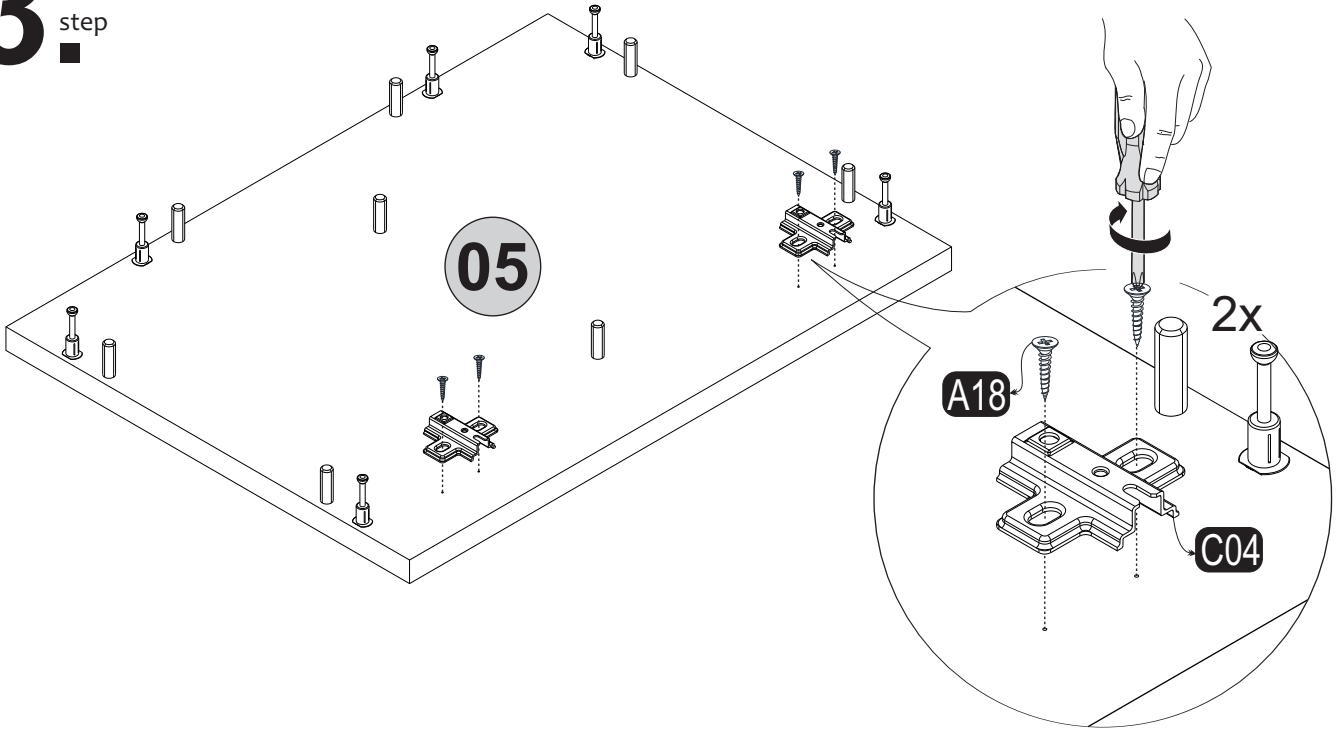
# 1. step



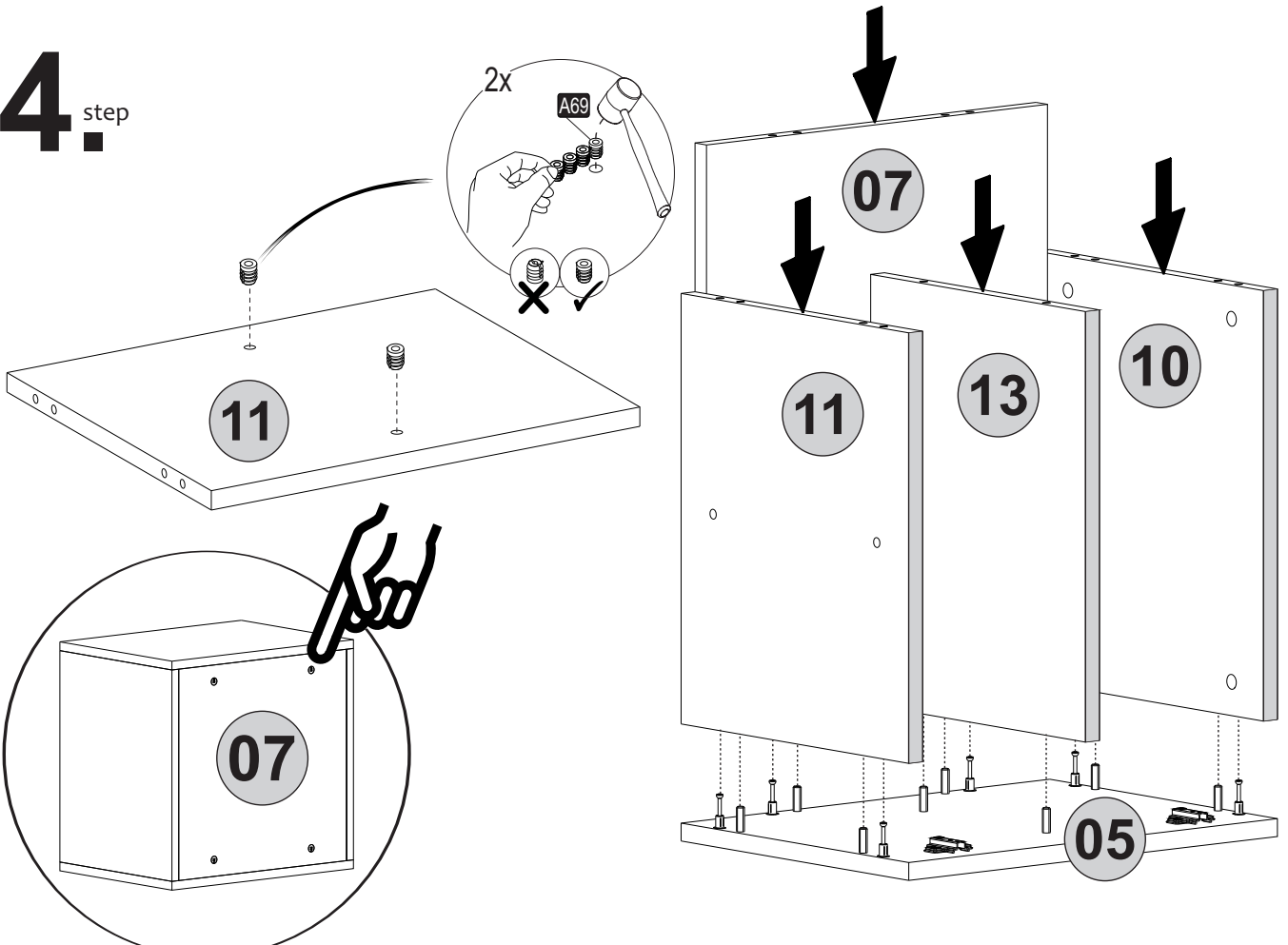
# 2. step



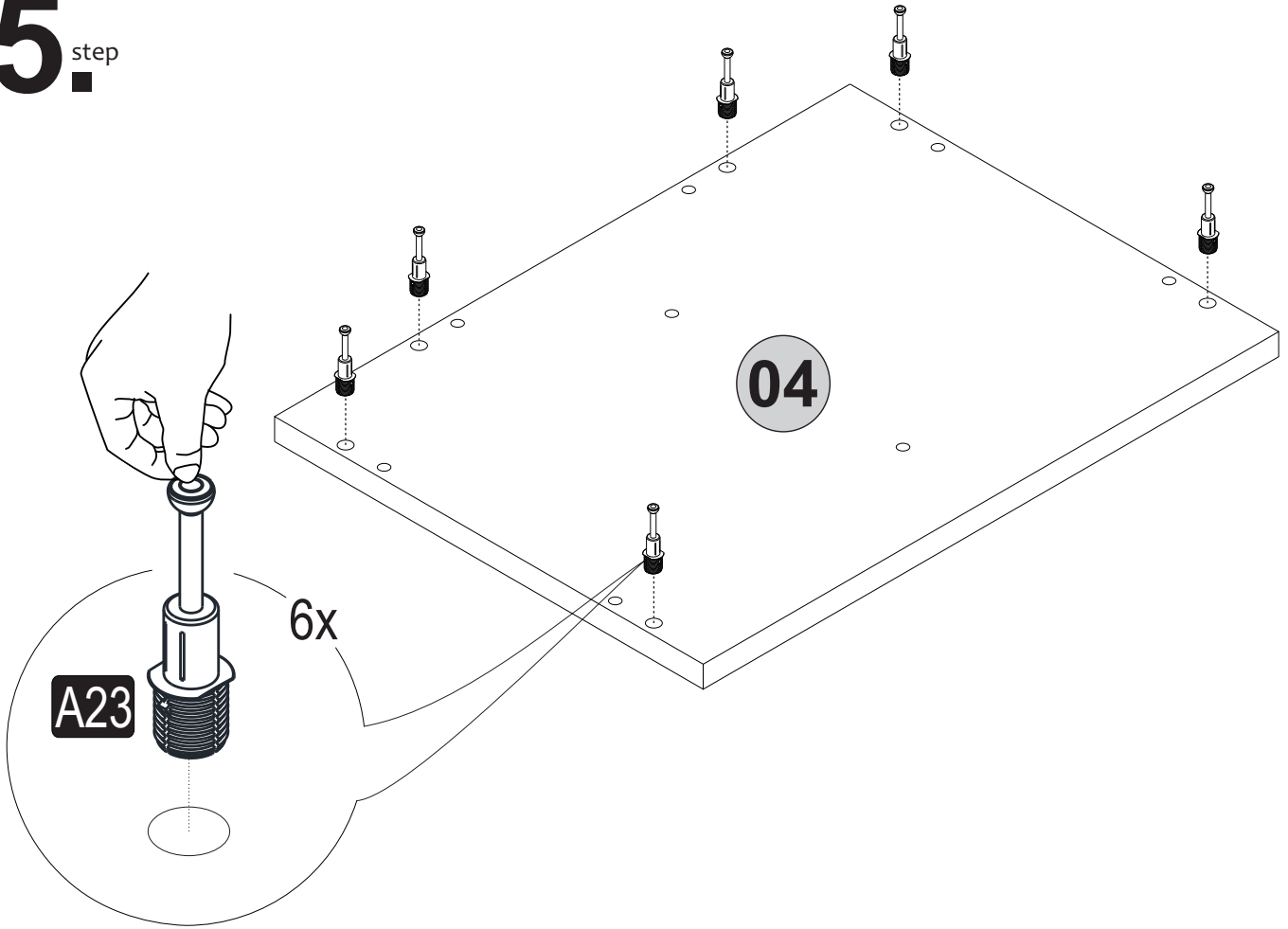
# 3. step



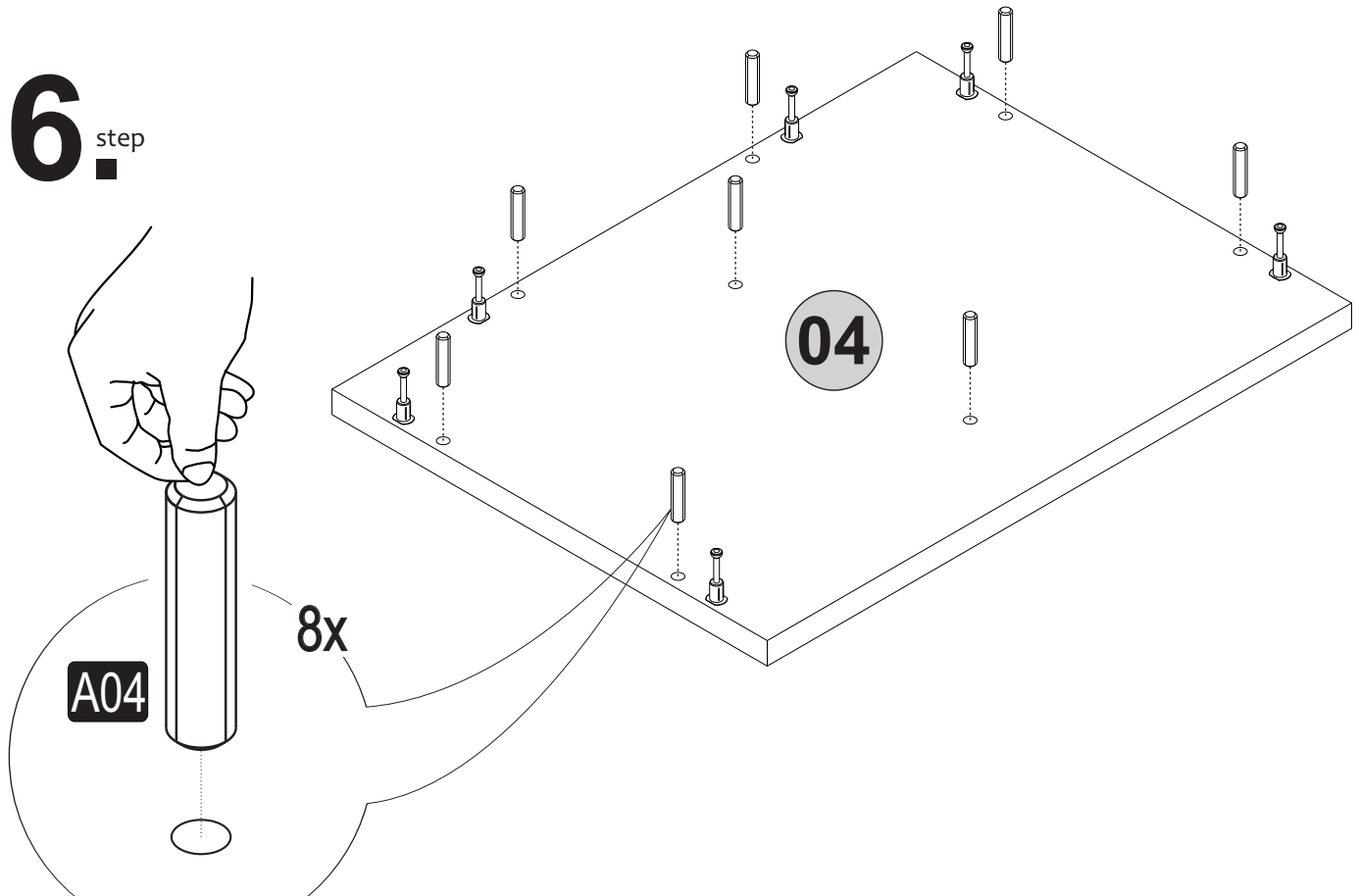
# 4. step



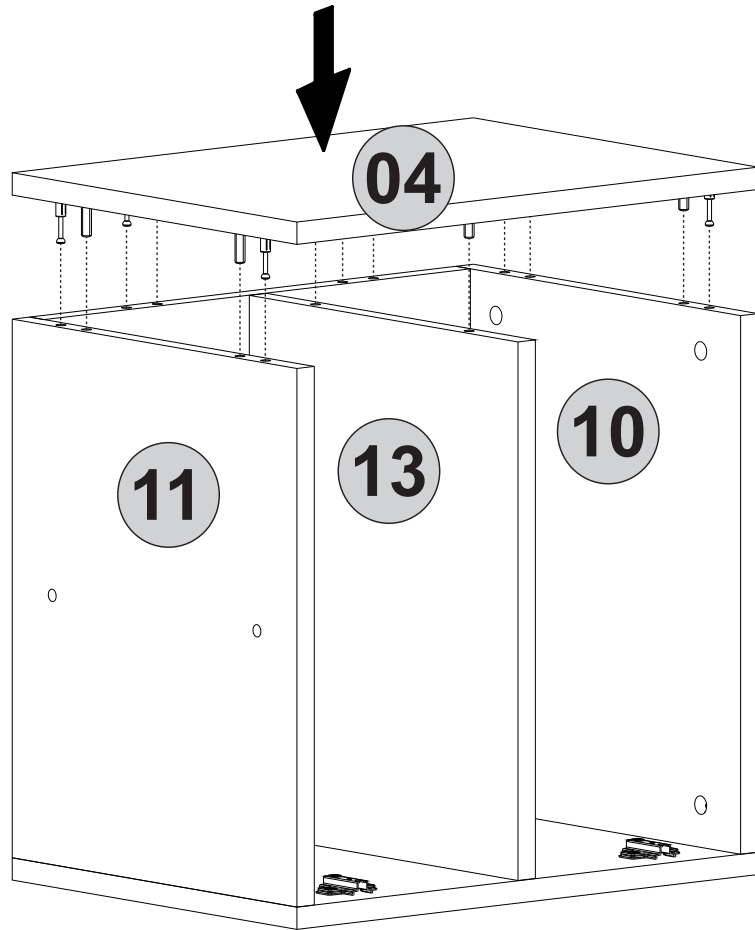
# 5<sup>step</sup>



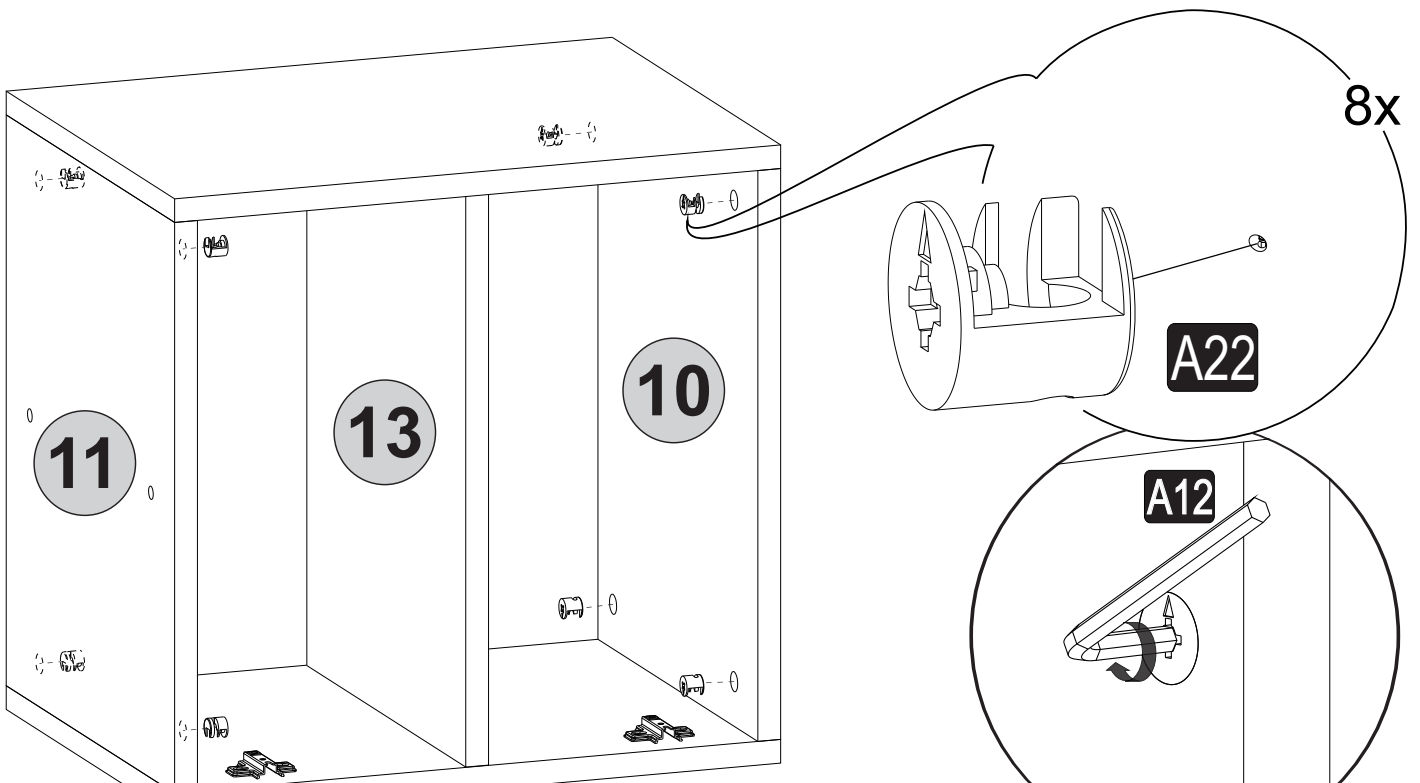
# 6<sup>step</sup>



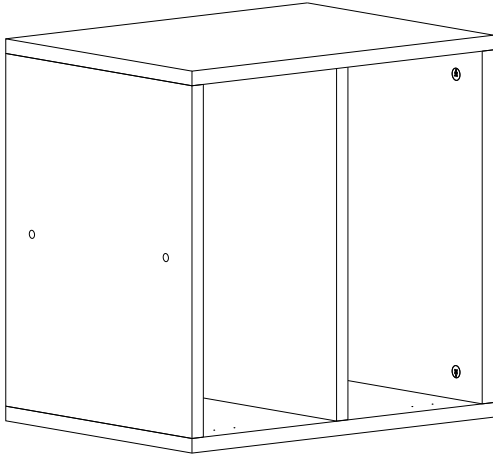
**7.** step



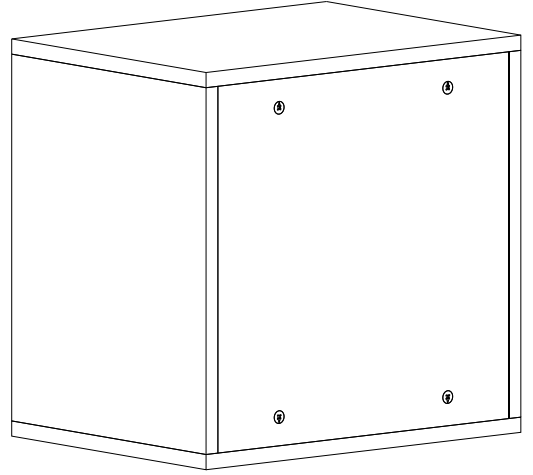
**8.** step



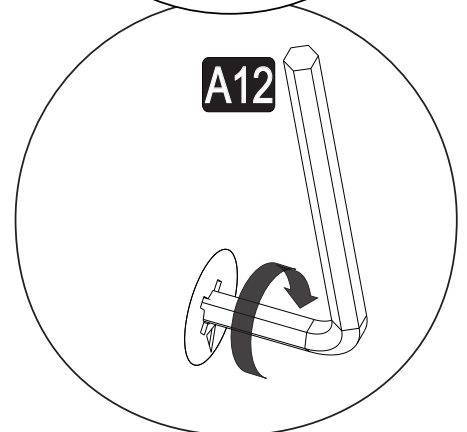
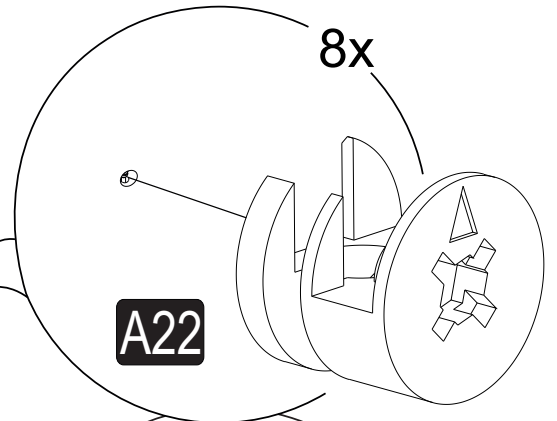
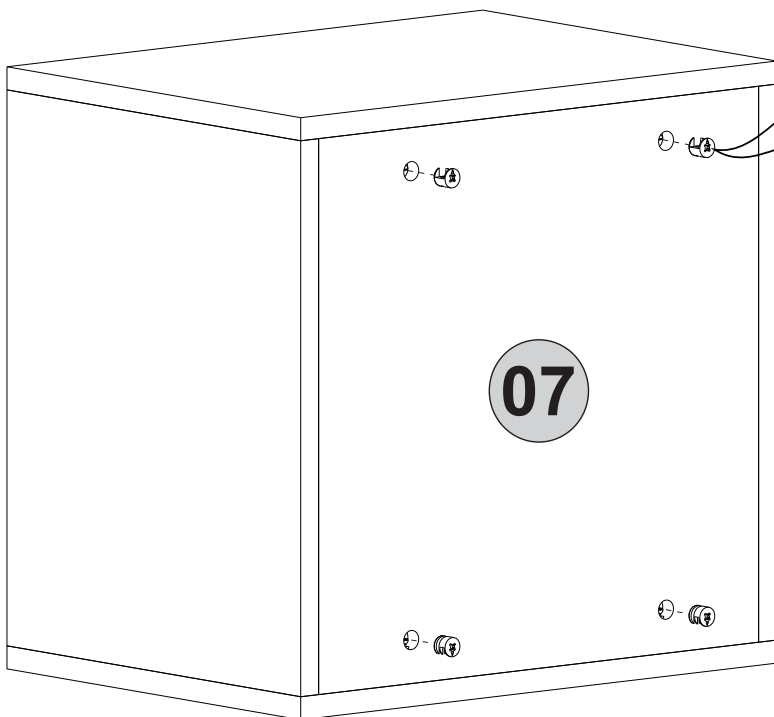
# 9<sub>step</sub>



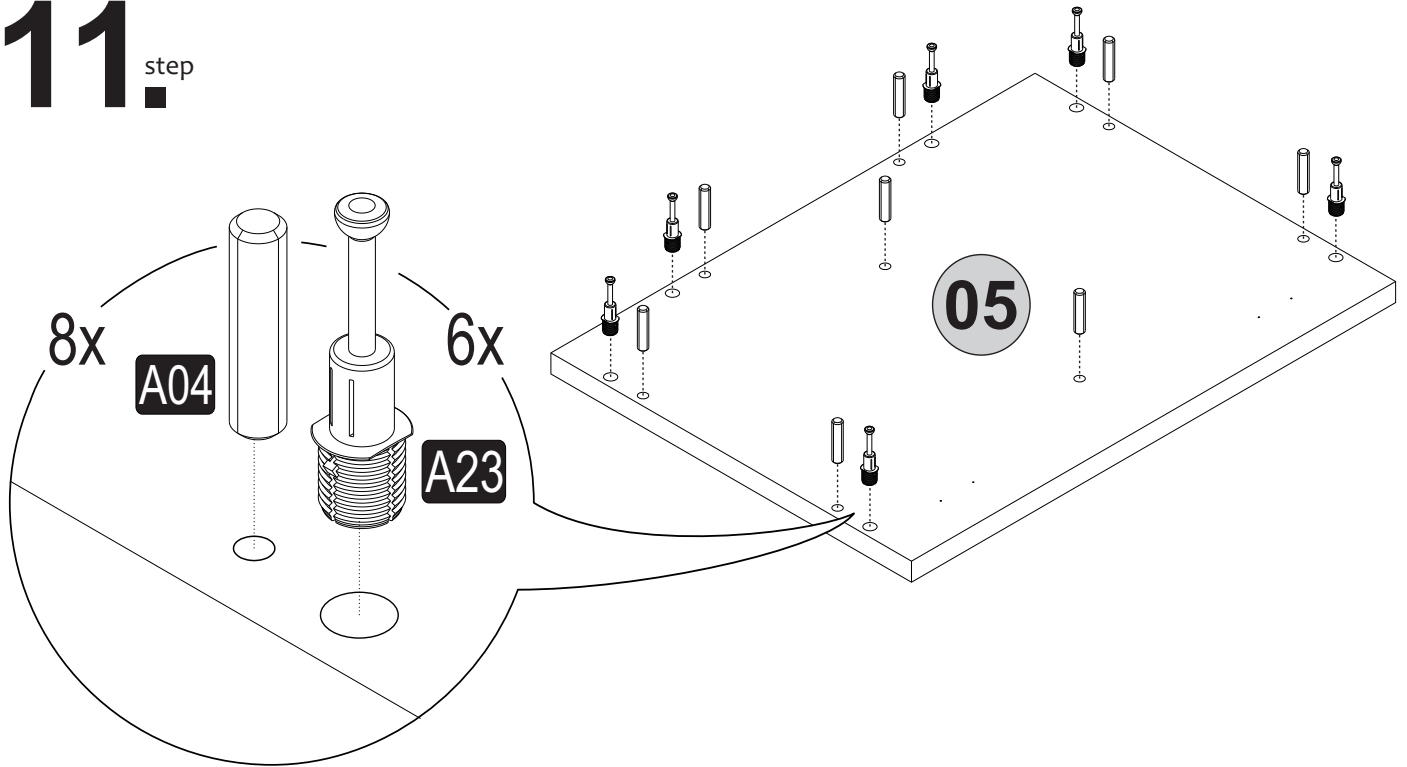
Rotate 



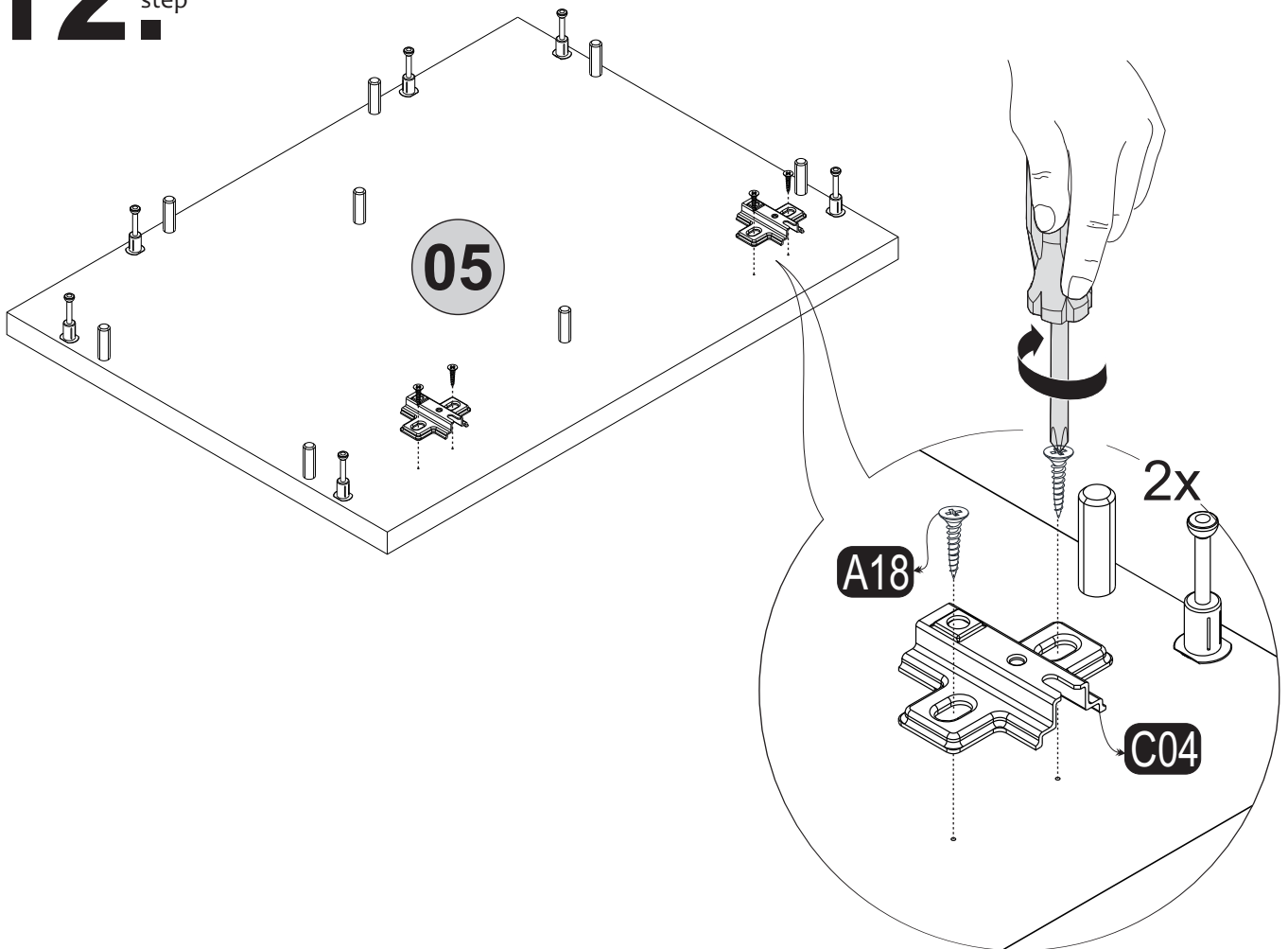
# 10<sub>step</sub>



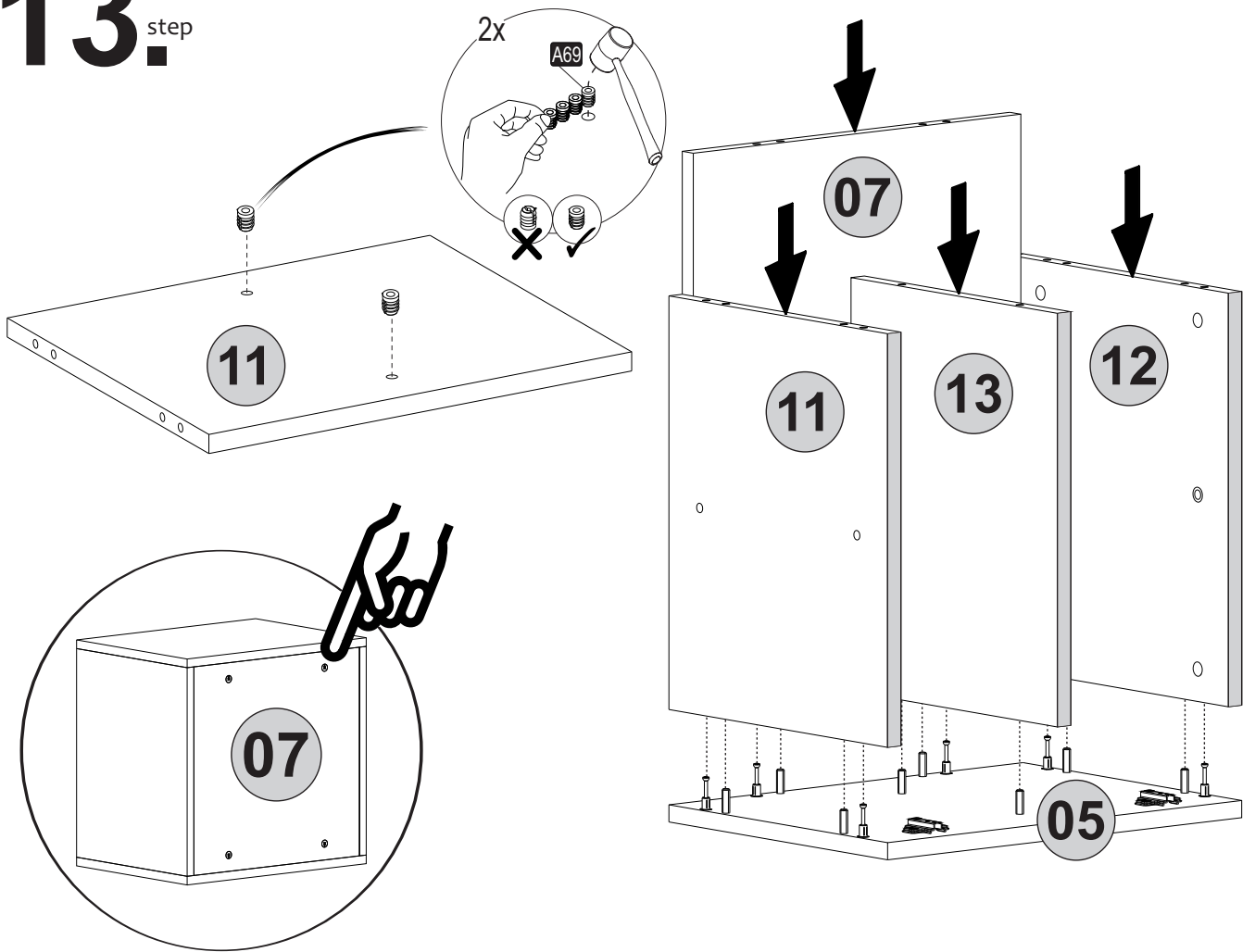
# 11.<sup>step</sup>



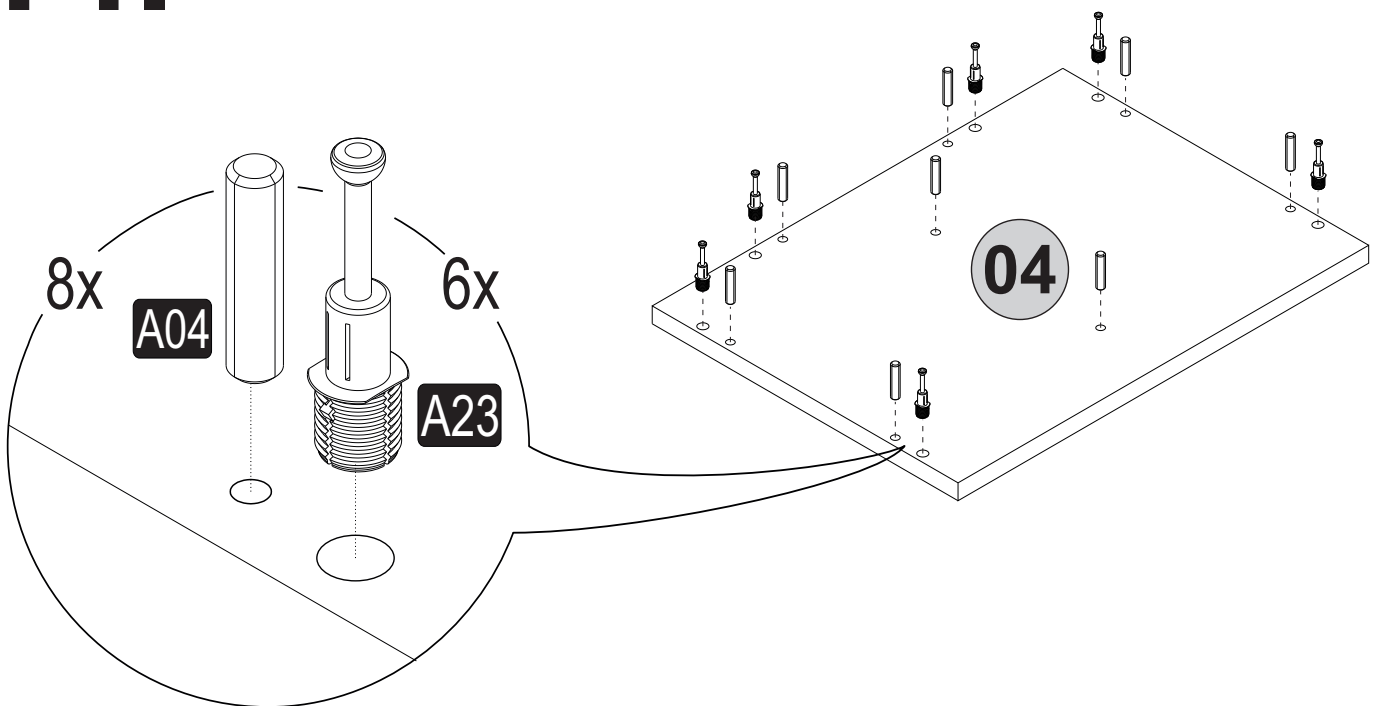
# 12.<sup>step</sup>



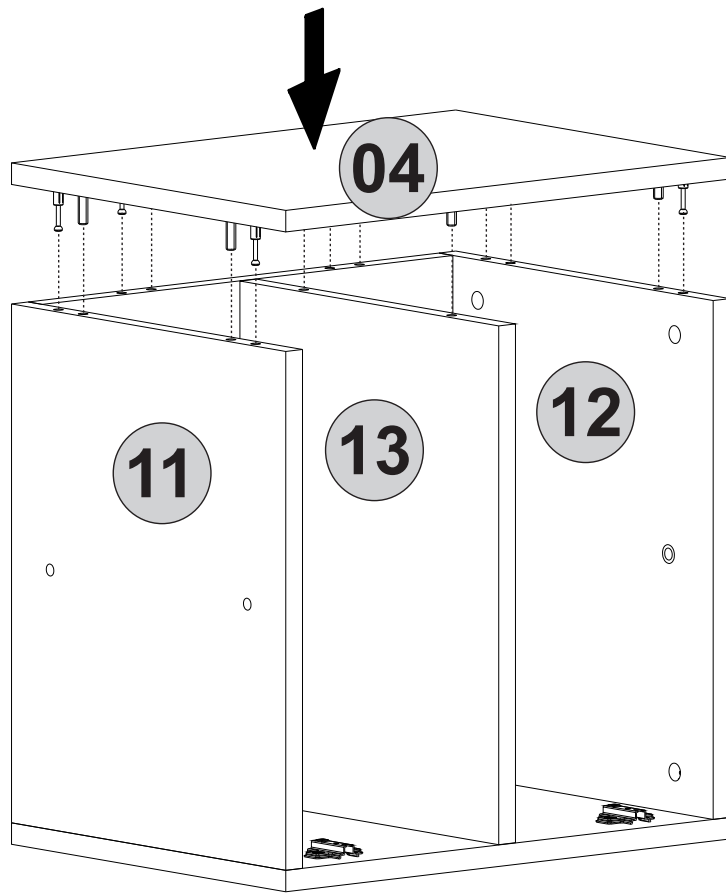
# 13.<sup>step</sup>



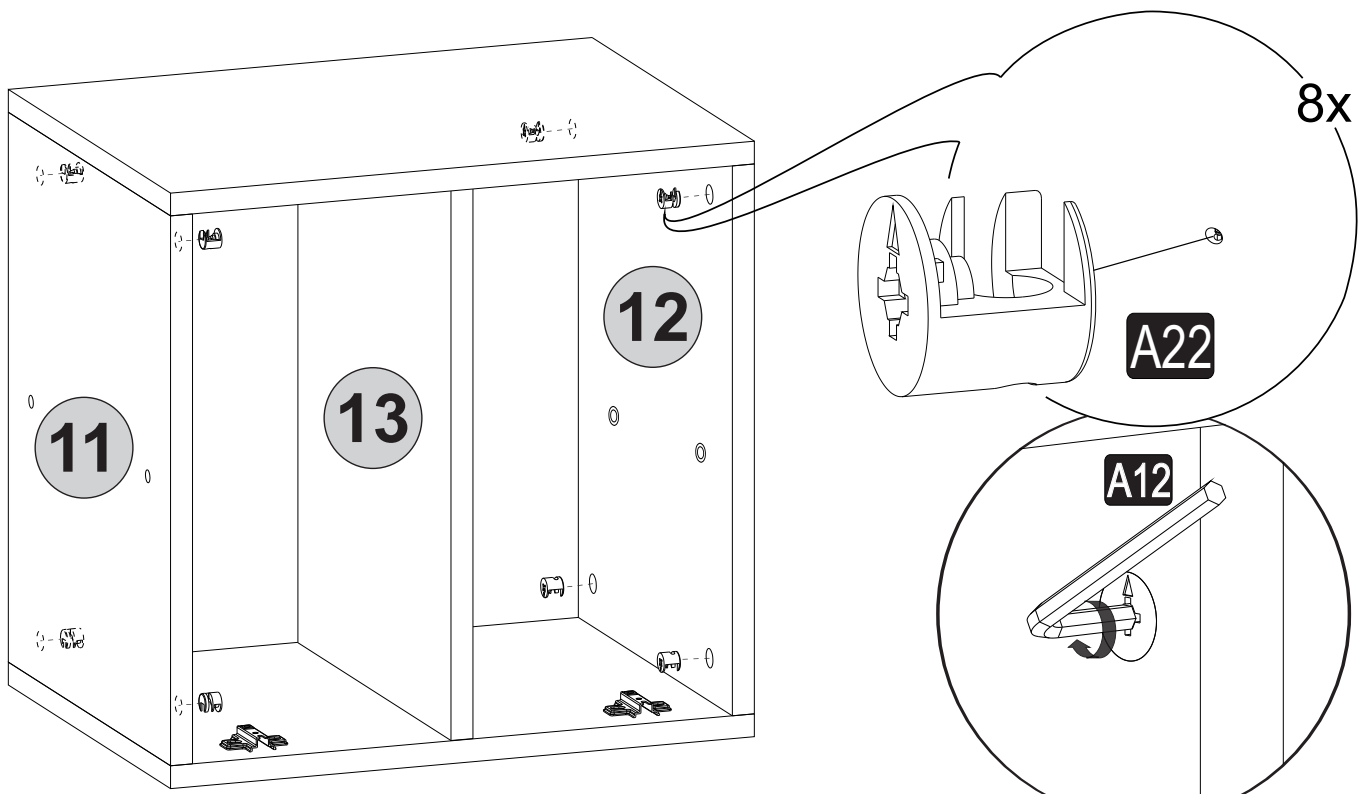
# 14.<sup>step</sup>



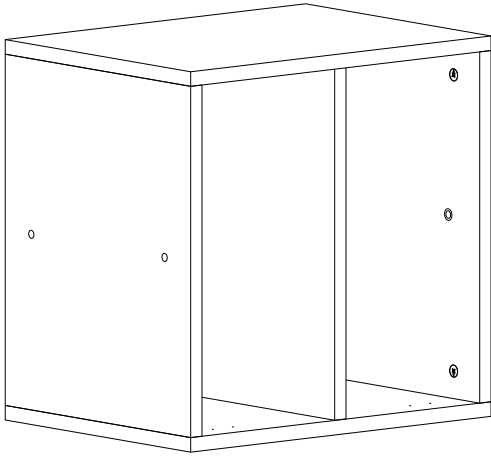
# 15.<sup>step</sup>



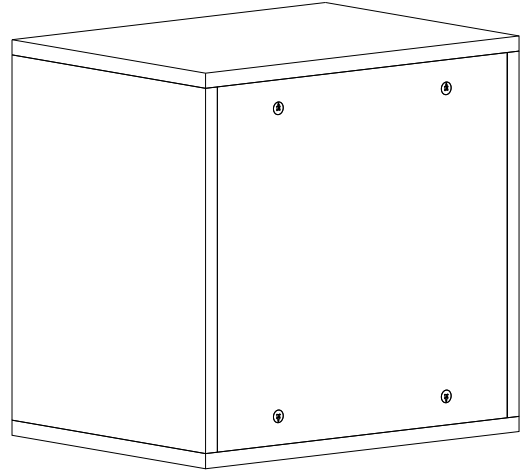
# 16.<sup>step</sup>



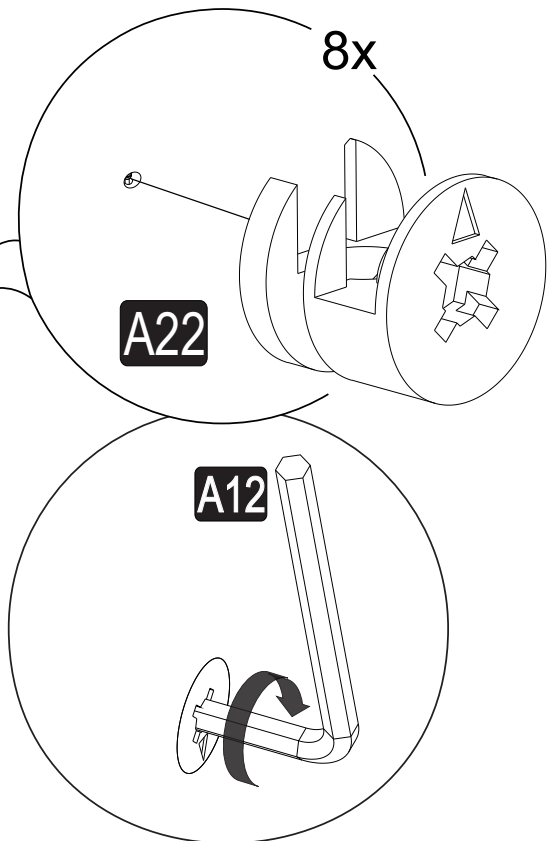
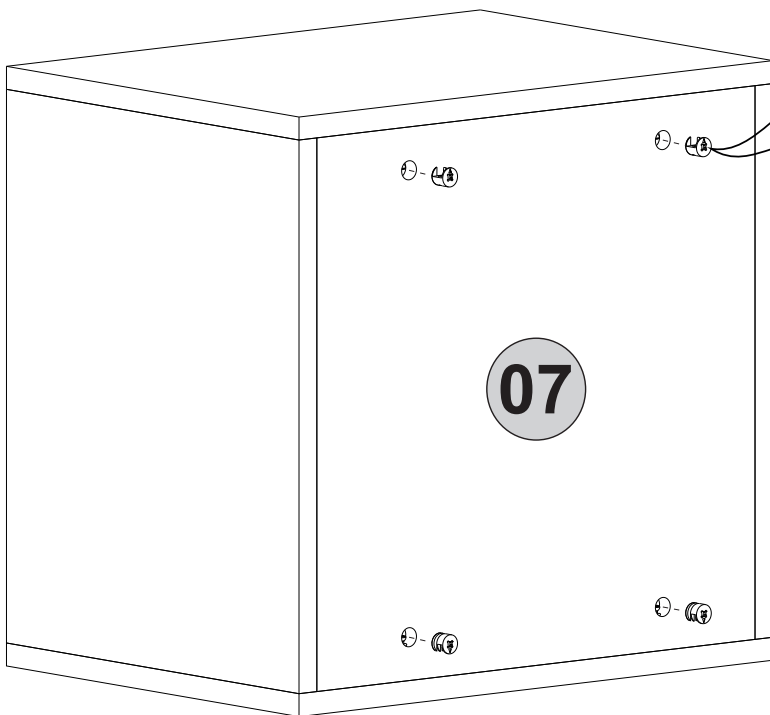
# 17.<sup>step</sup>



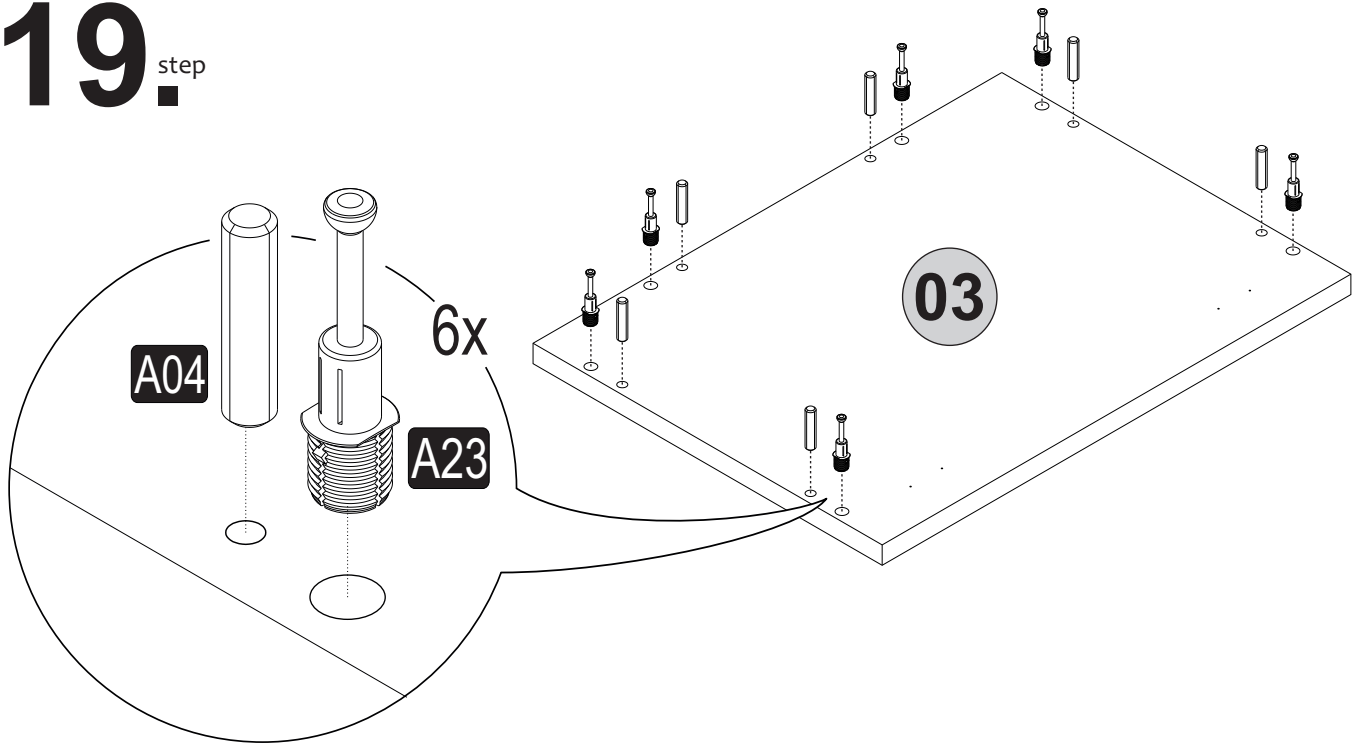
Rotate



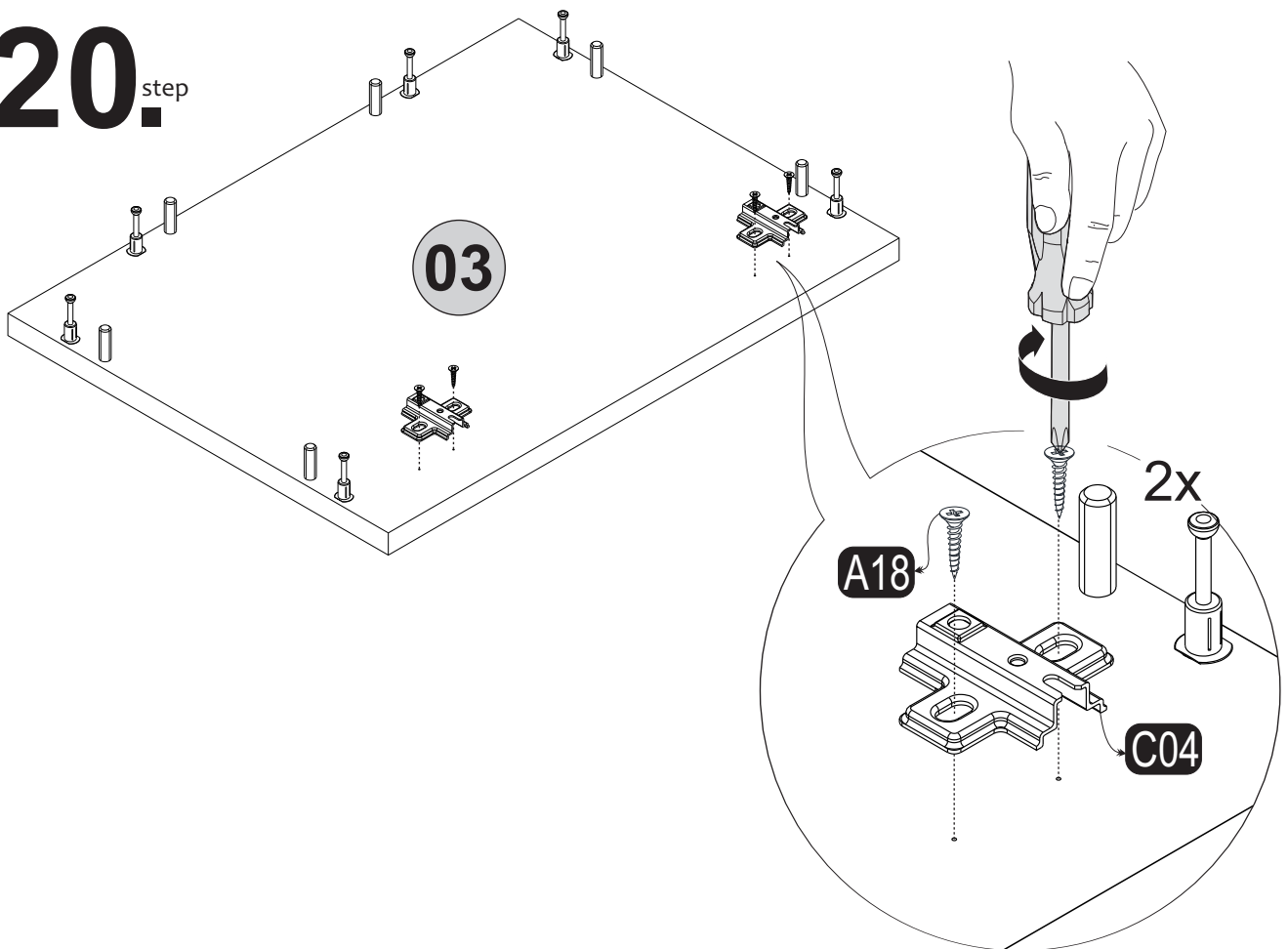
# 18.<sup>step</sup>



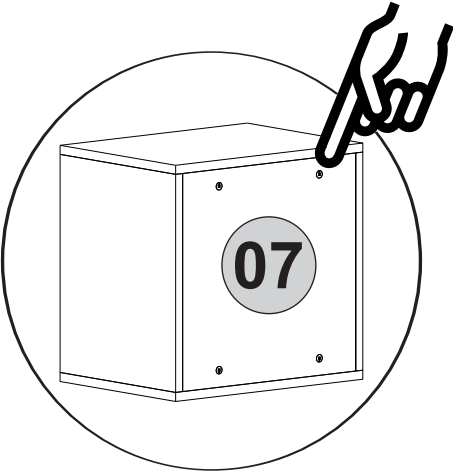
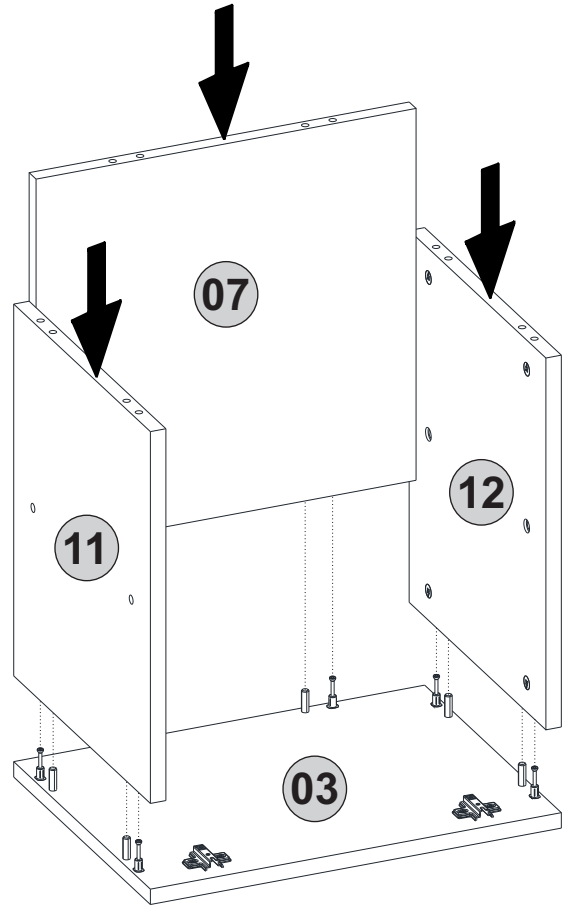
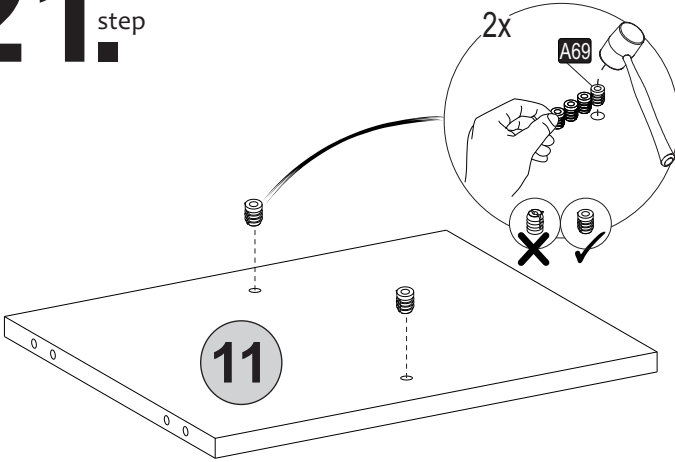
# 19.<sup>step</sup>



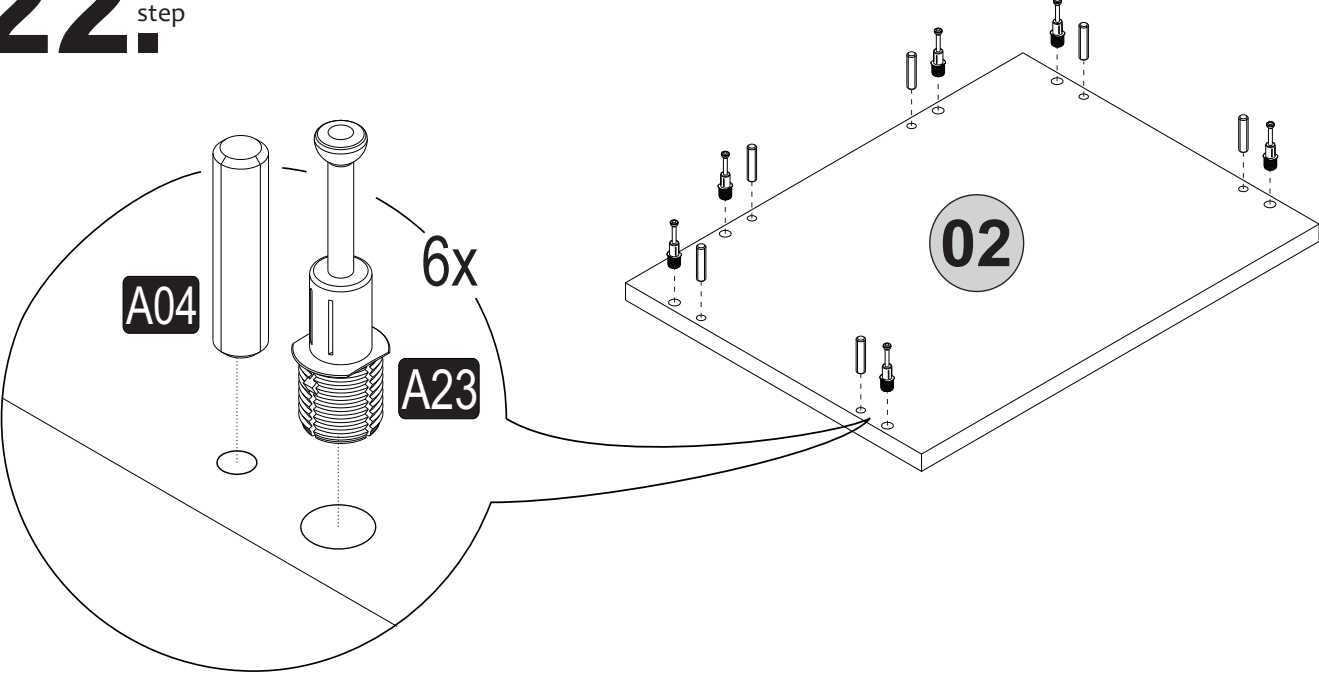
# 20.<sup>step</sup>



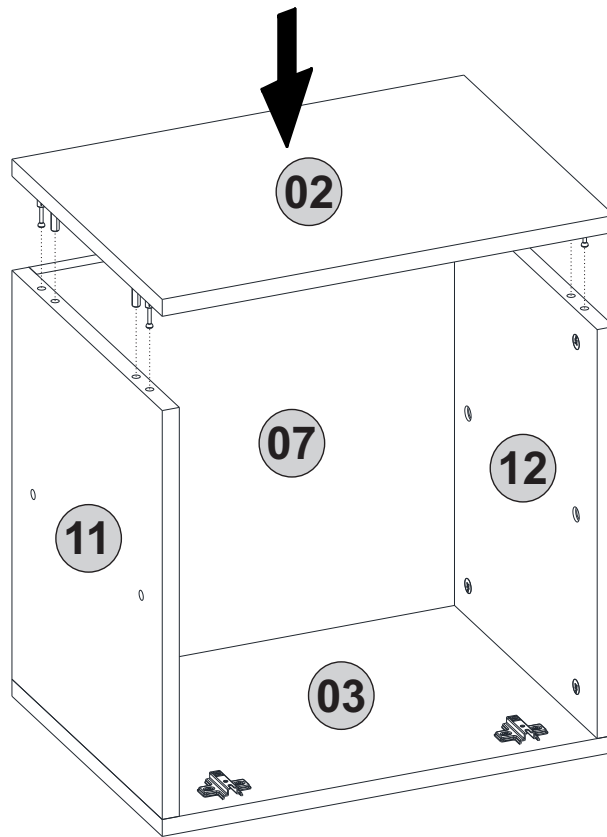
# 21.<sup>step</sup>



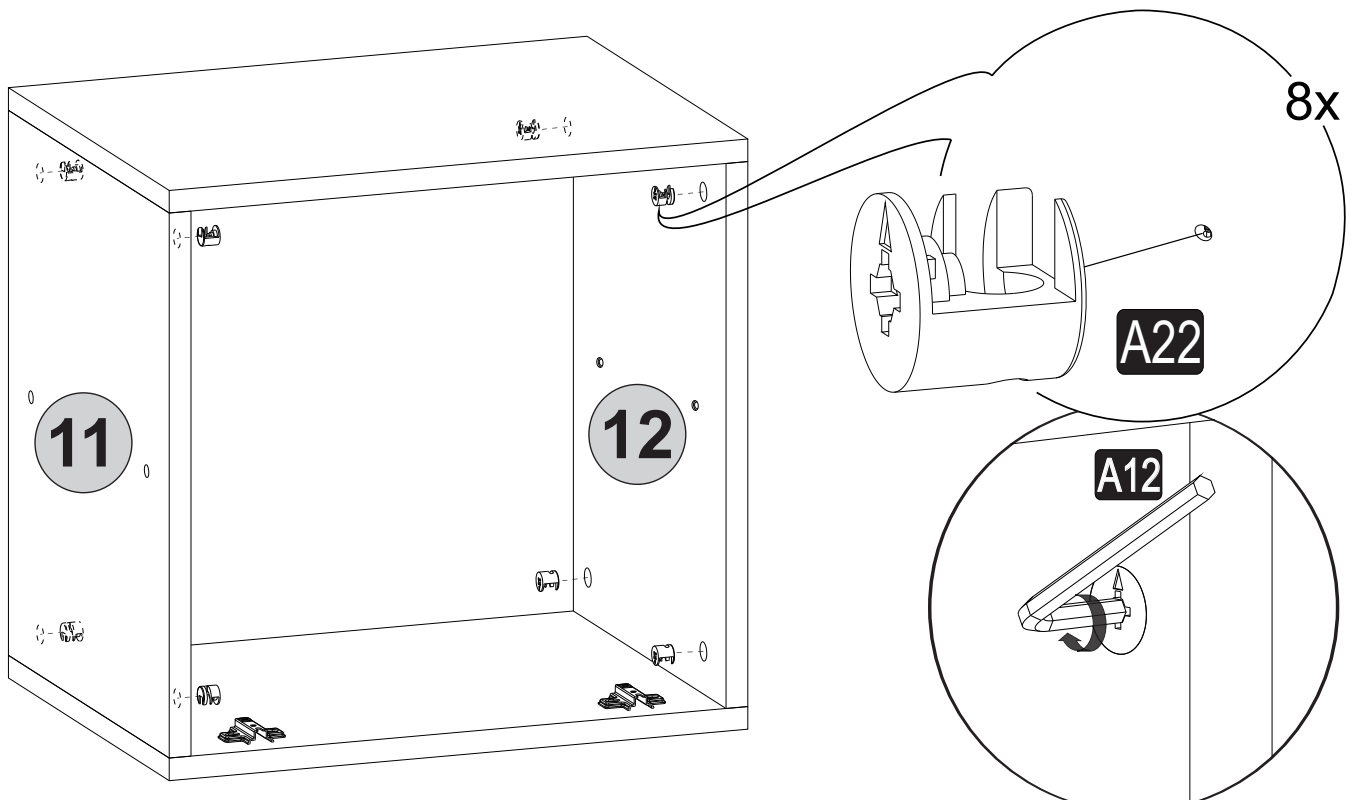
# 22.<sup>step</sup>



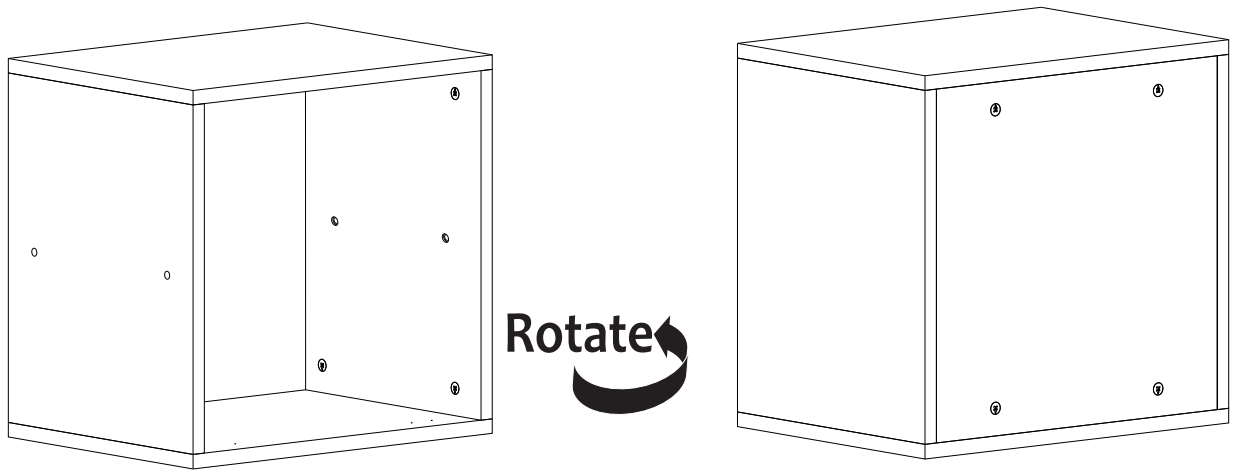
# 23.<sup>step</sup>



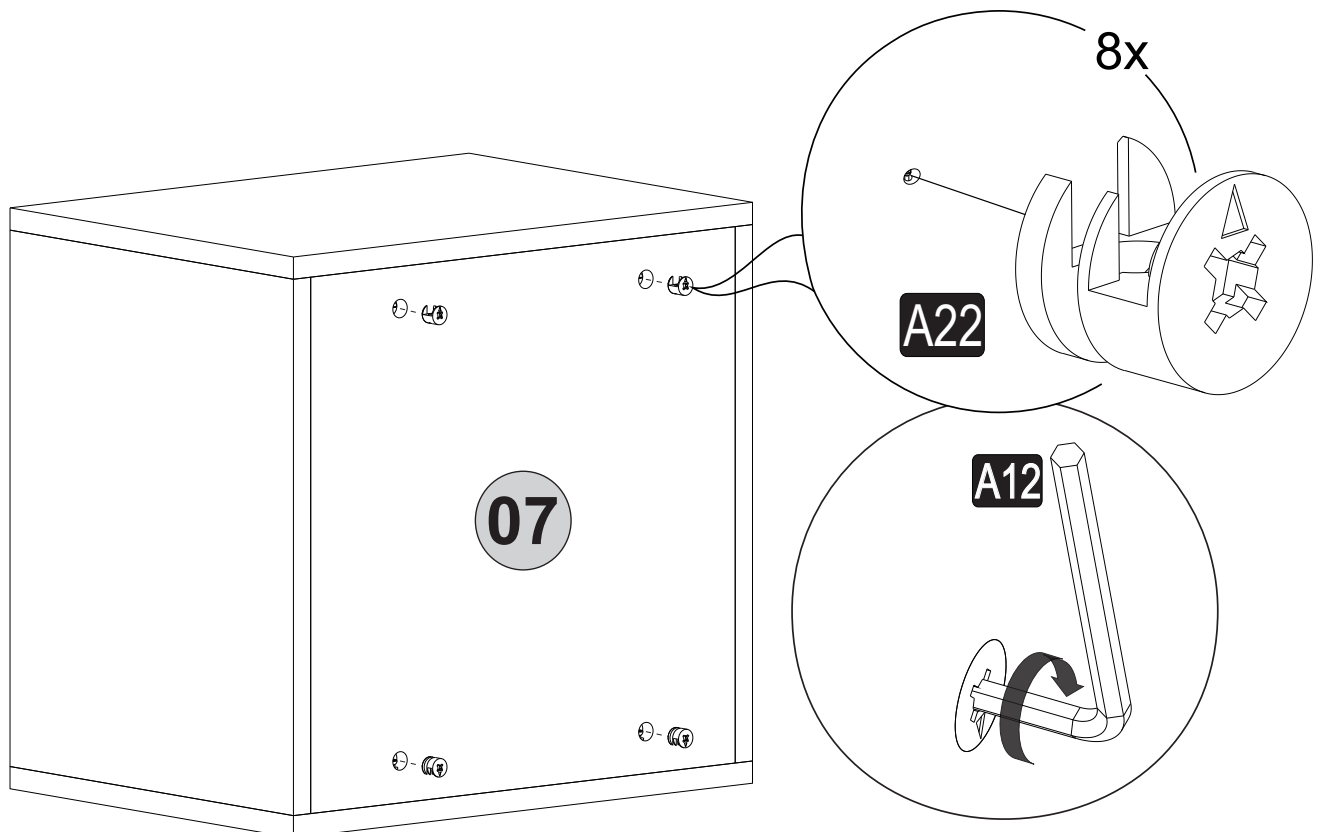
# 24.<sup>step</sup>



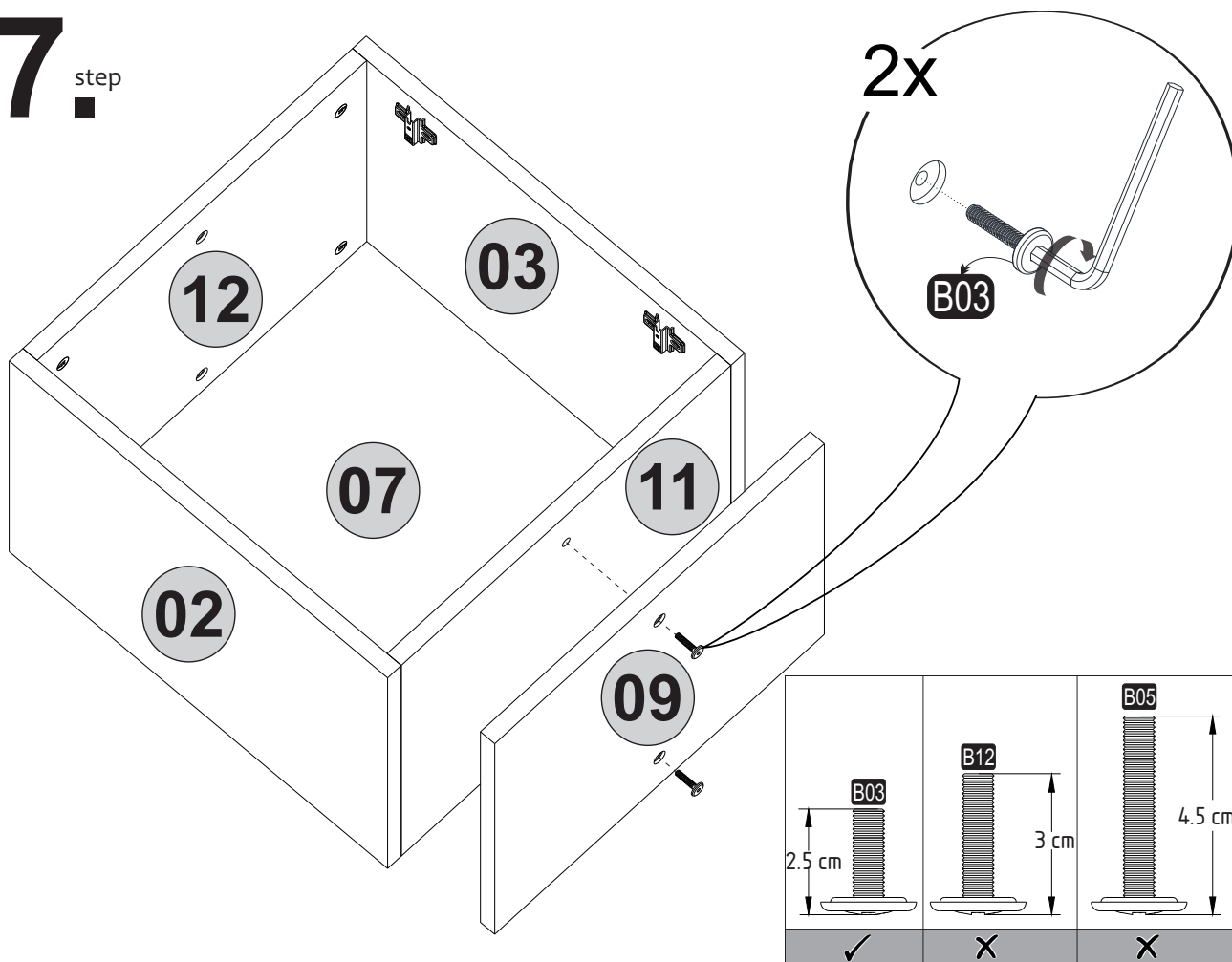
# 25.<sup>step</sup>



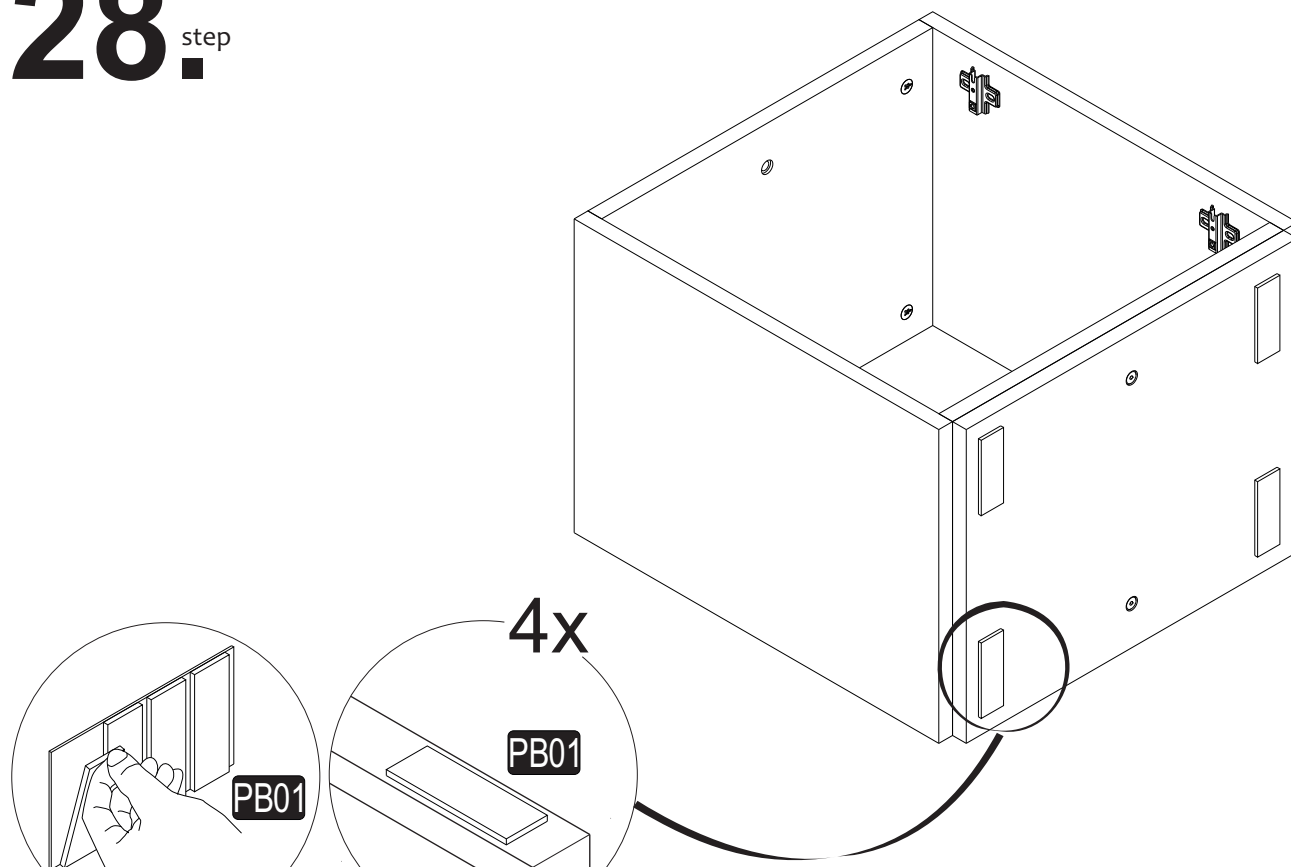
# 26.<sup>step</sup>



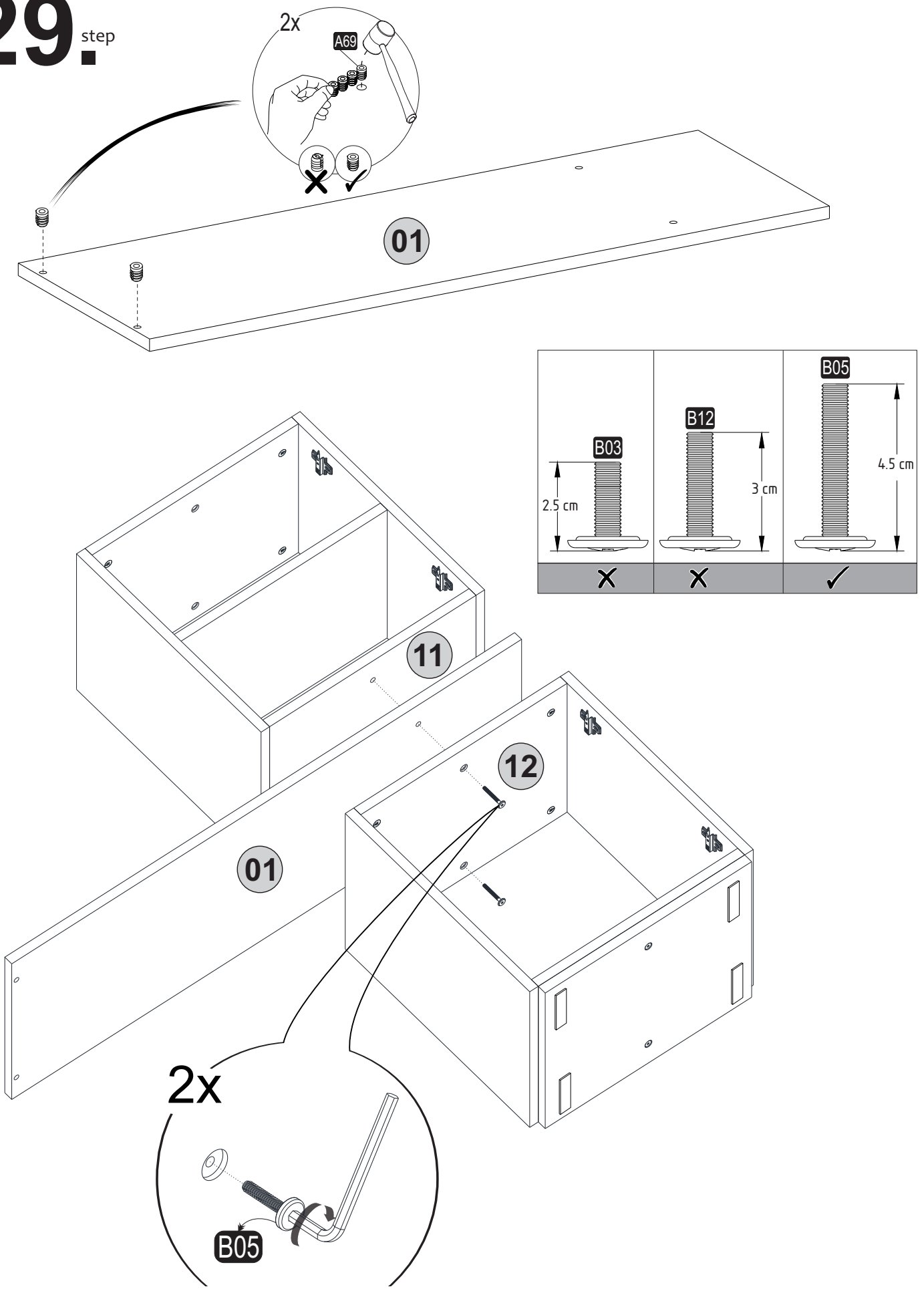
# 27. step



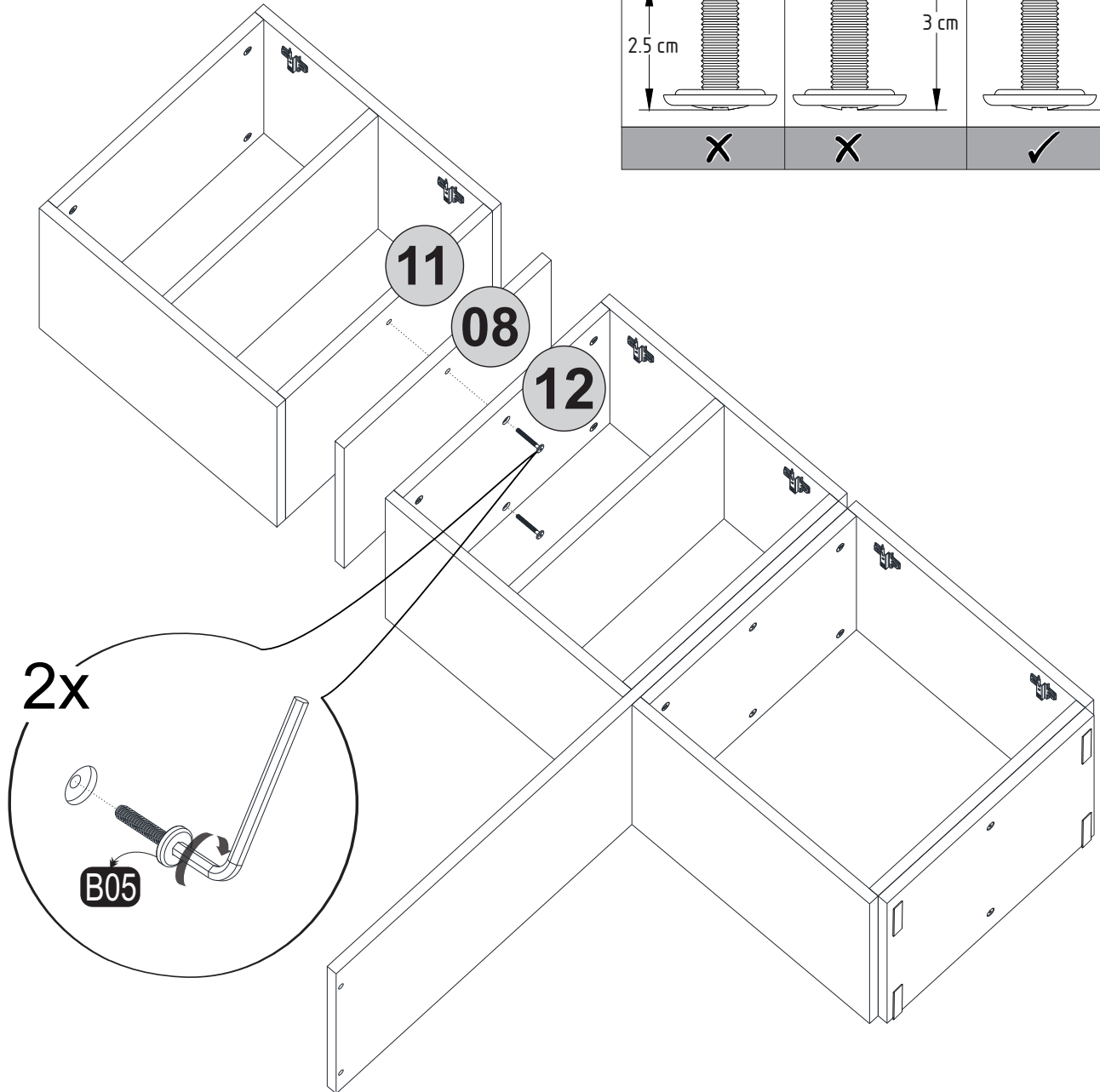
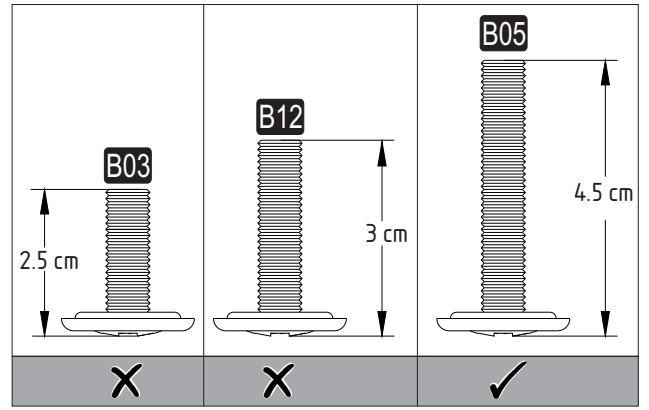
# 28. step



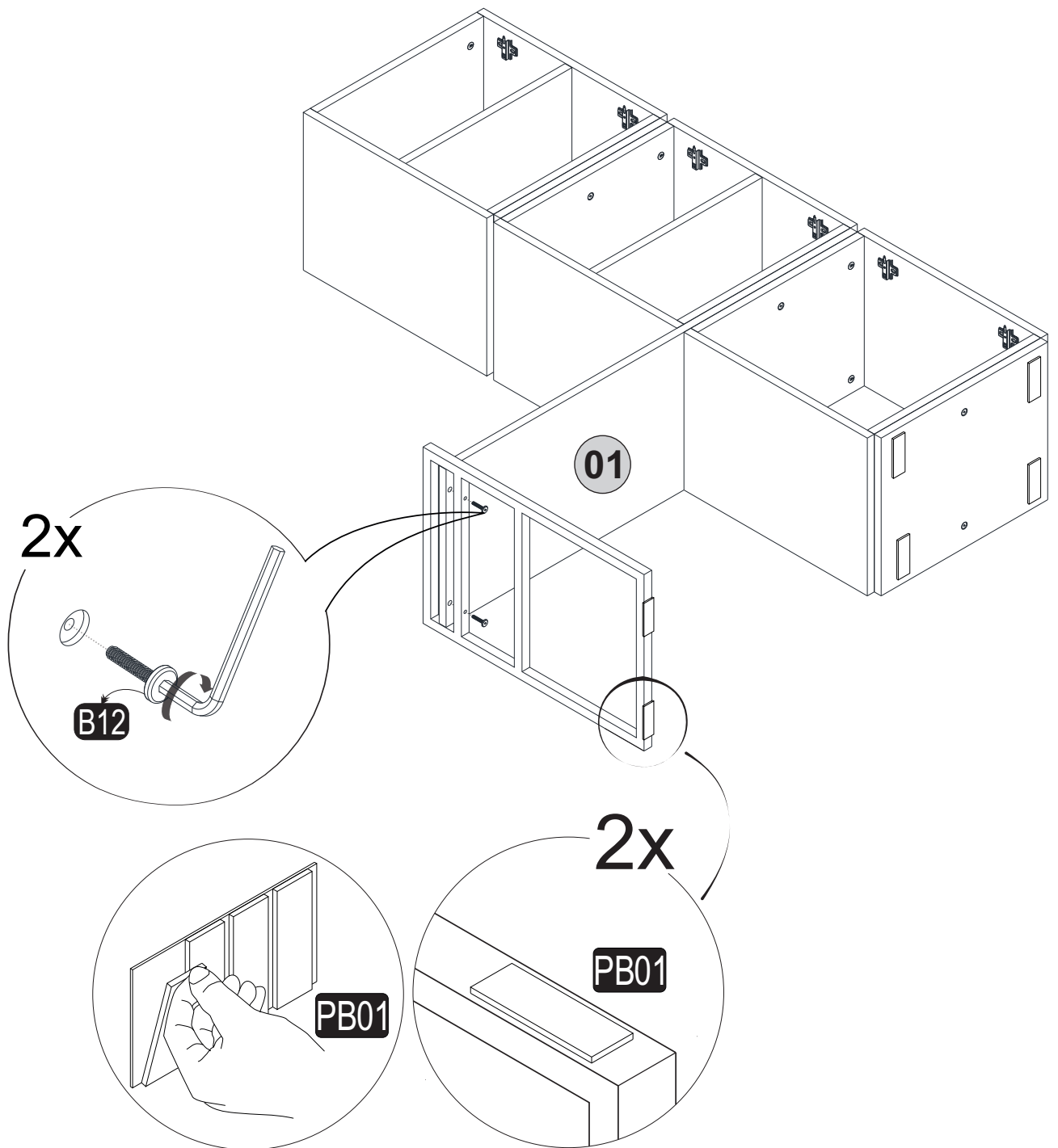
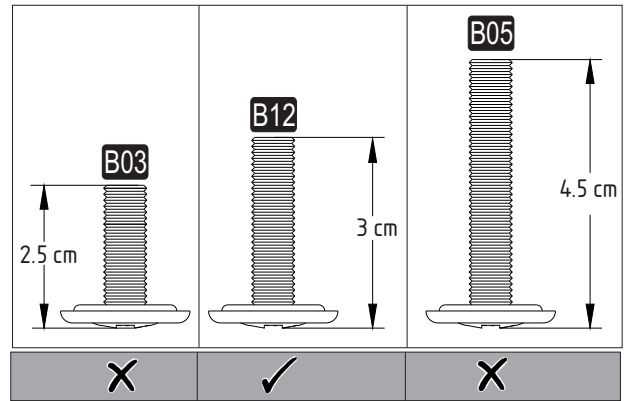
# 29. step



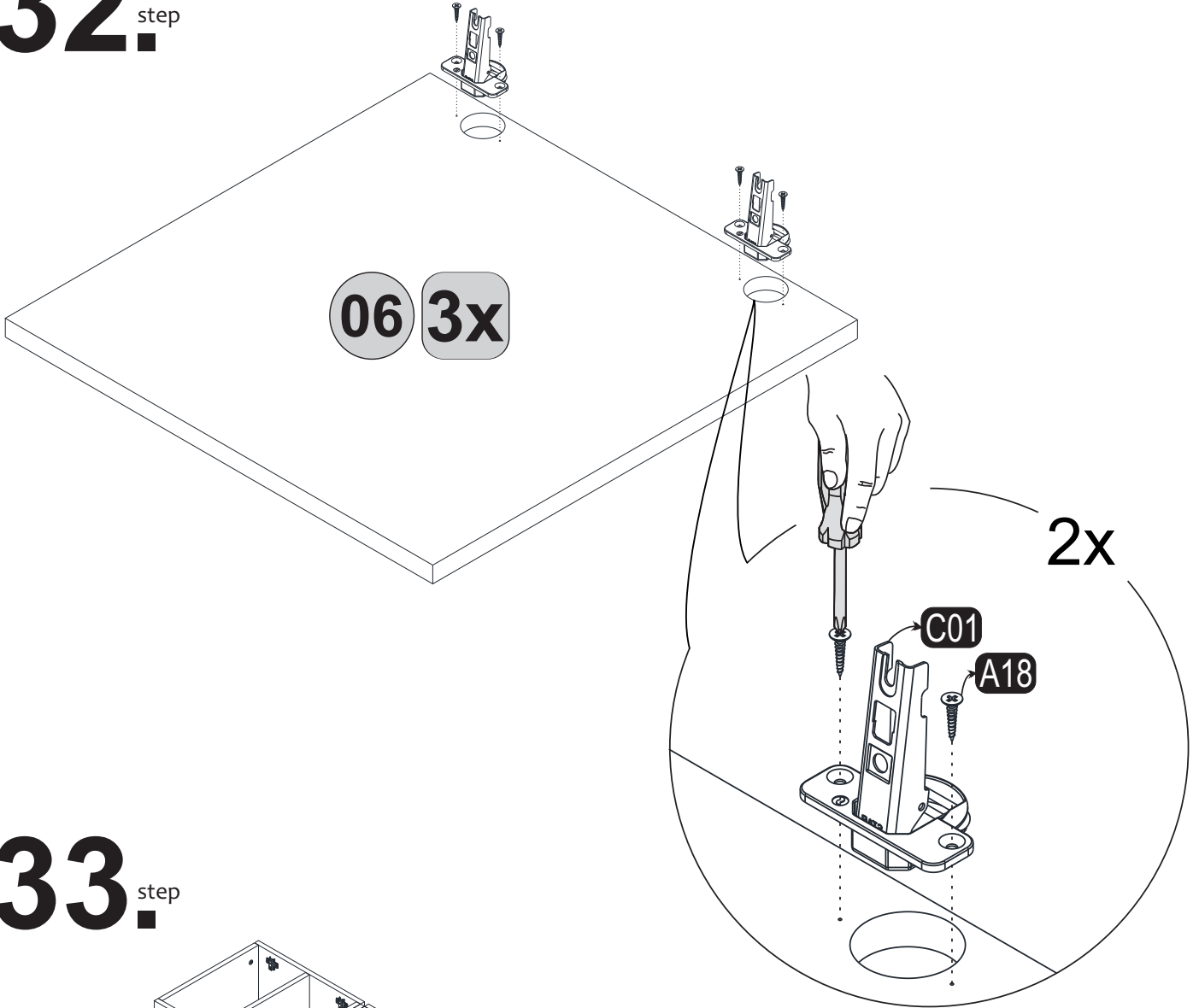
# 30<sup>step</sup>



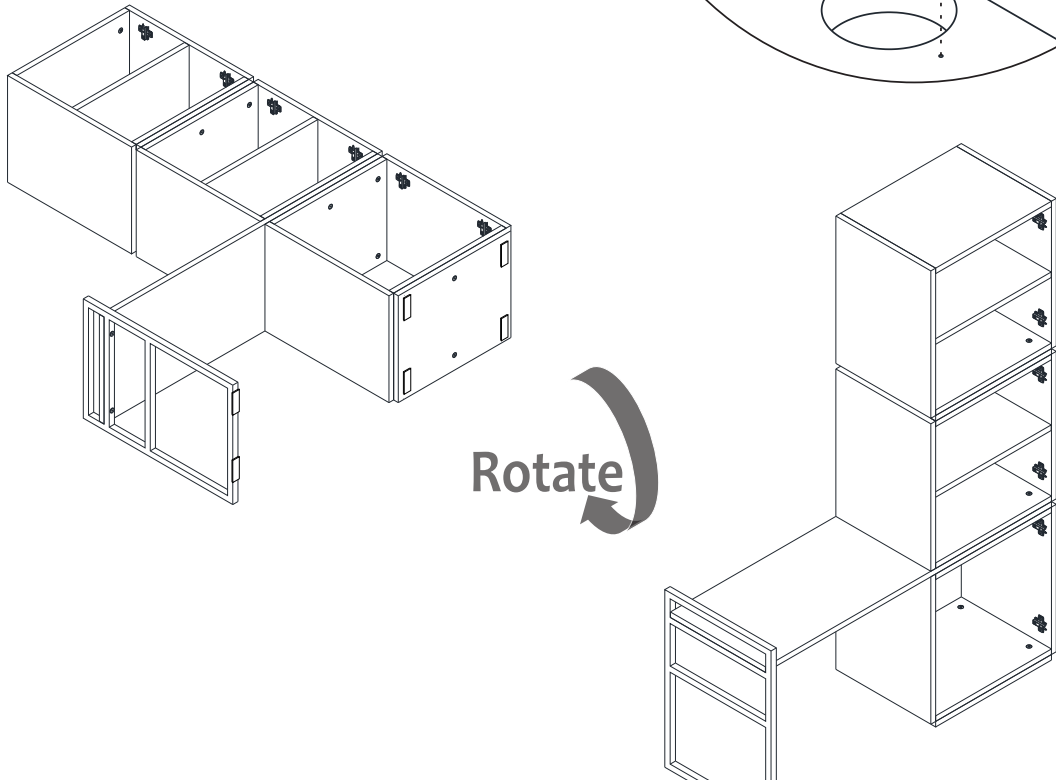
# 31. step



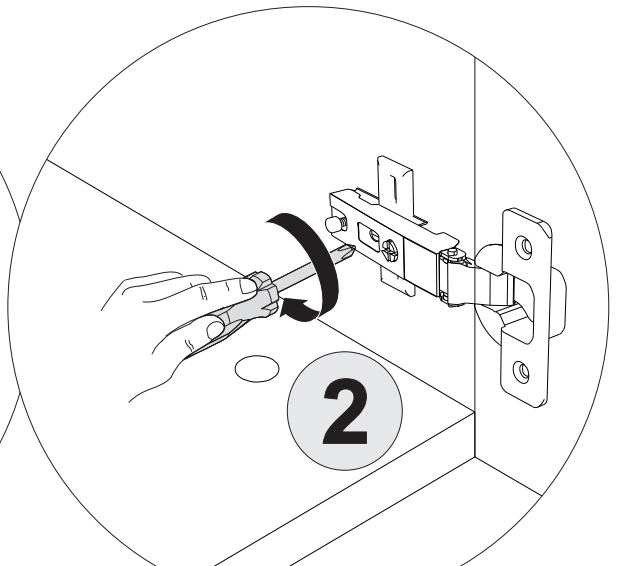
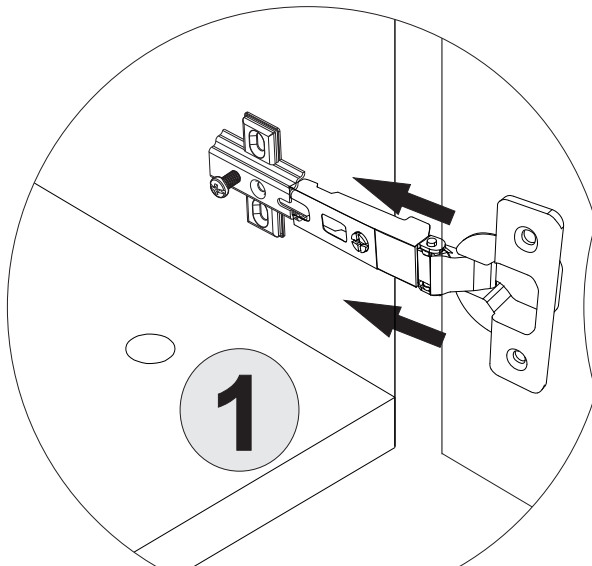
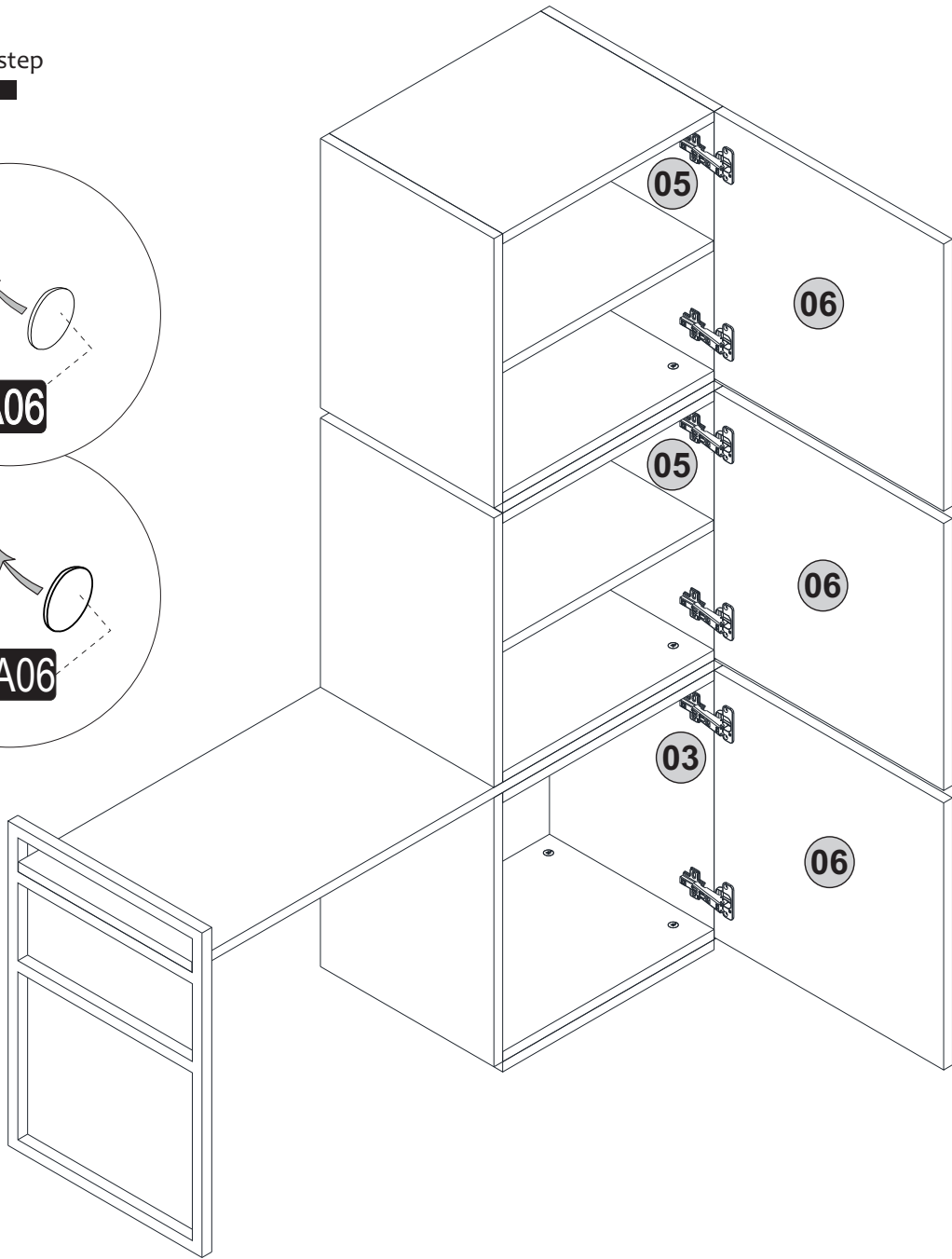
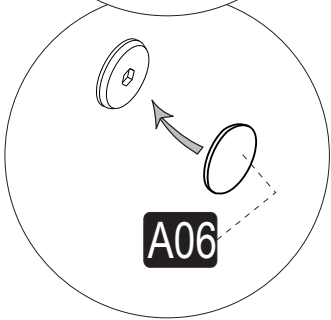
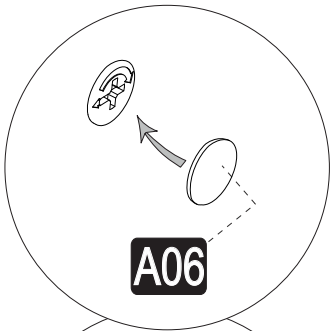
# 32<sub>step</sub>



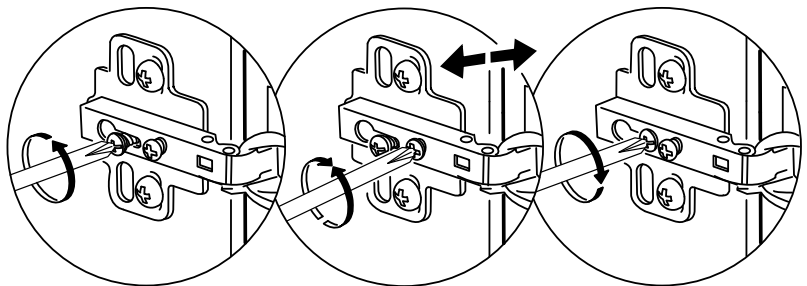
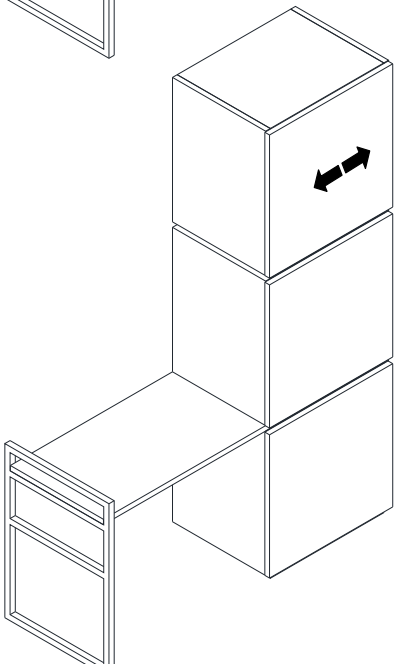
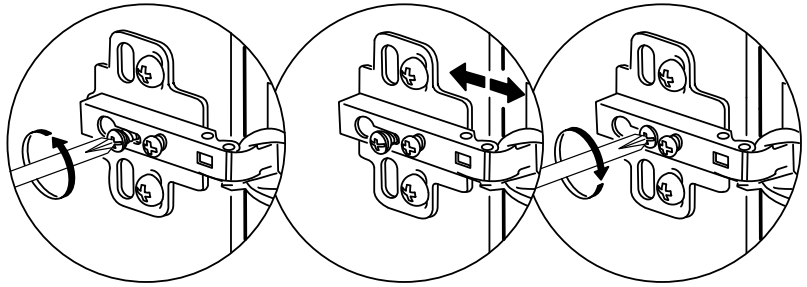
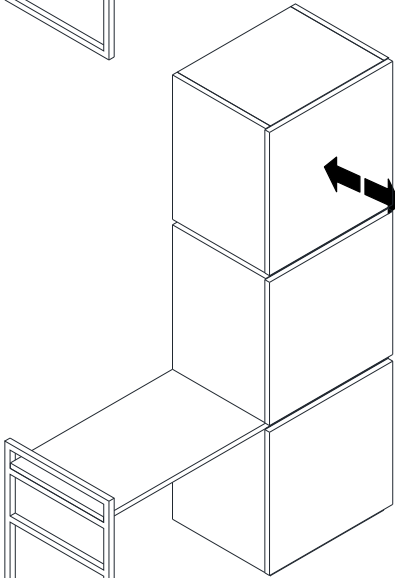
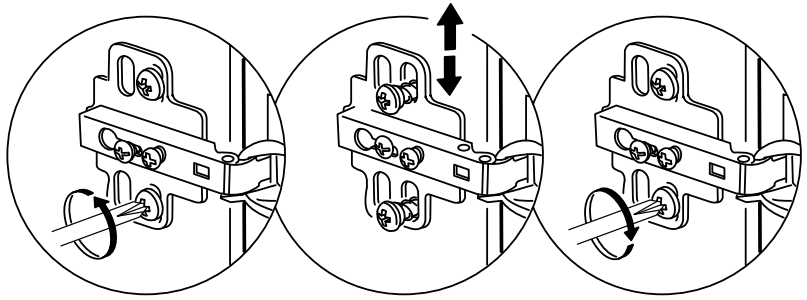
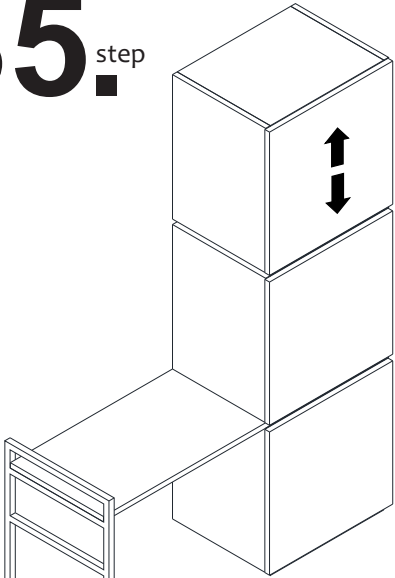
# 33<sub>step</sub>



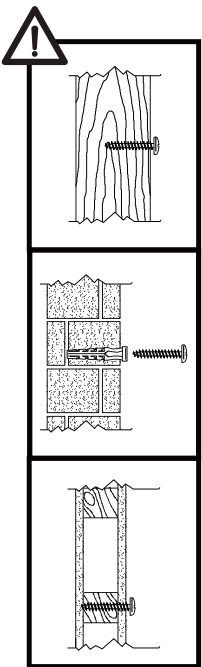
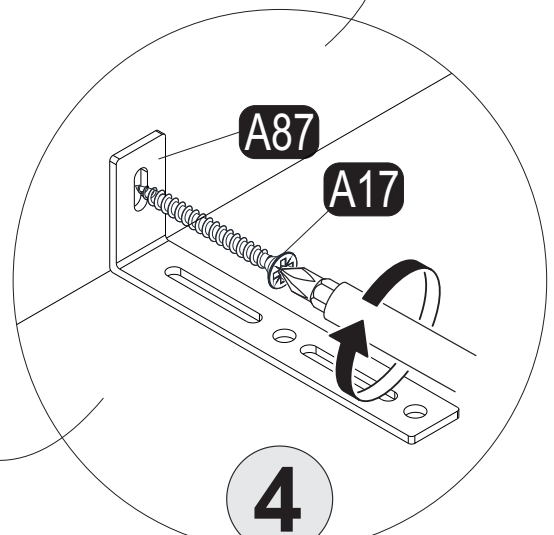
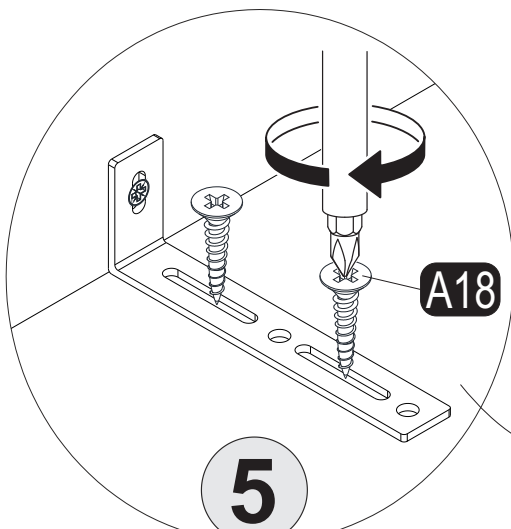
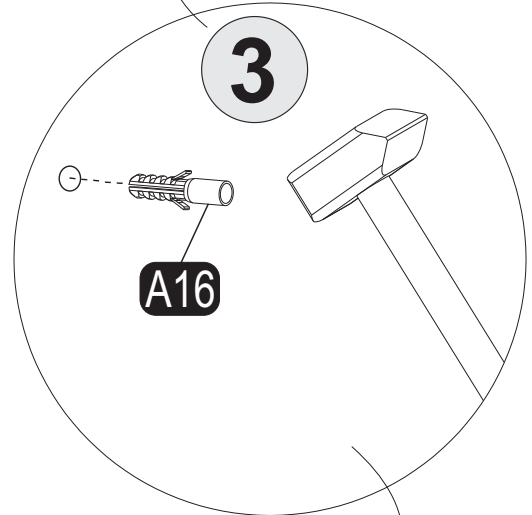
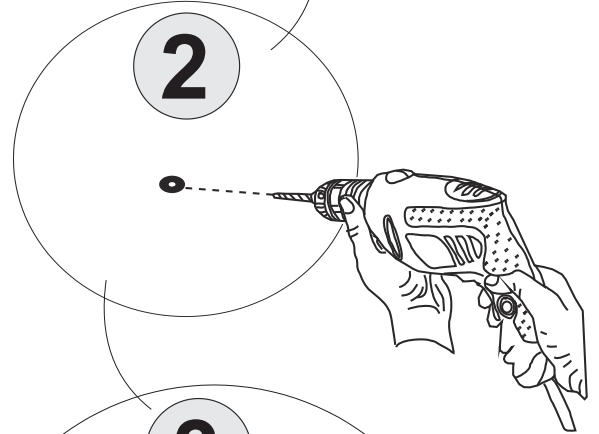
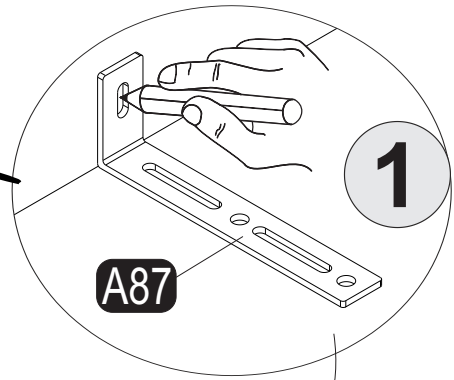
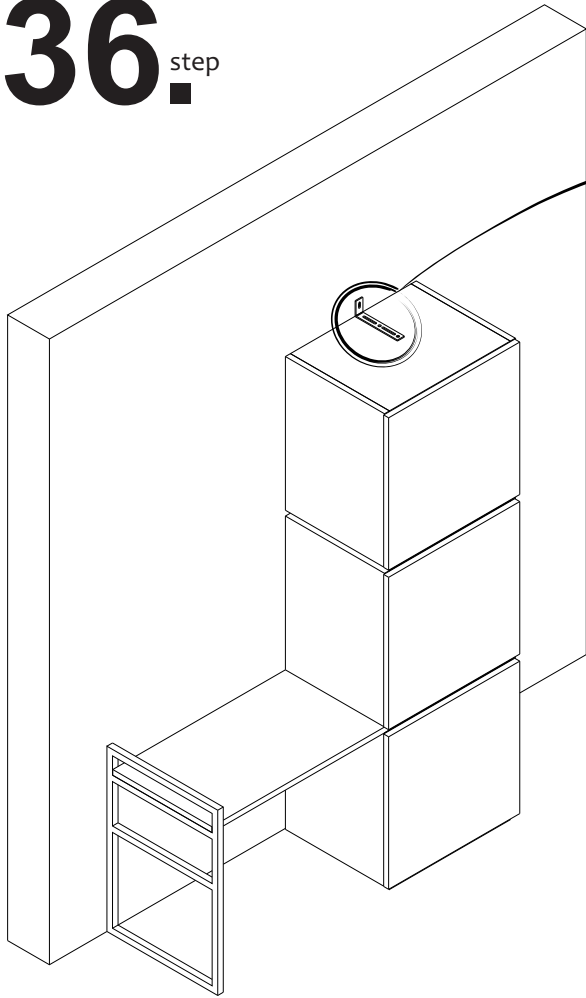
# 34<sup>step</sup>



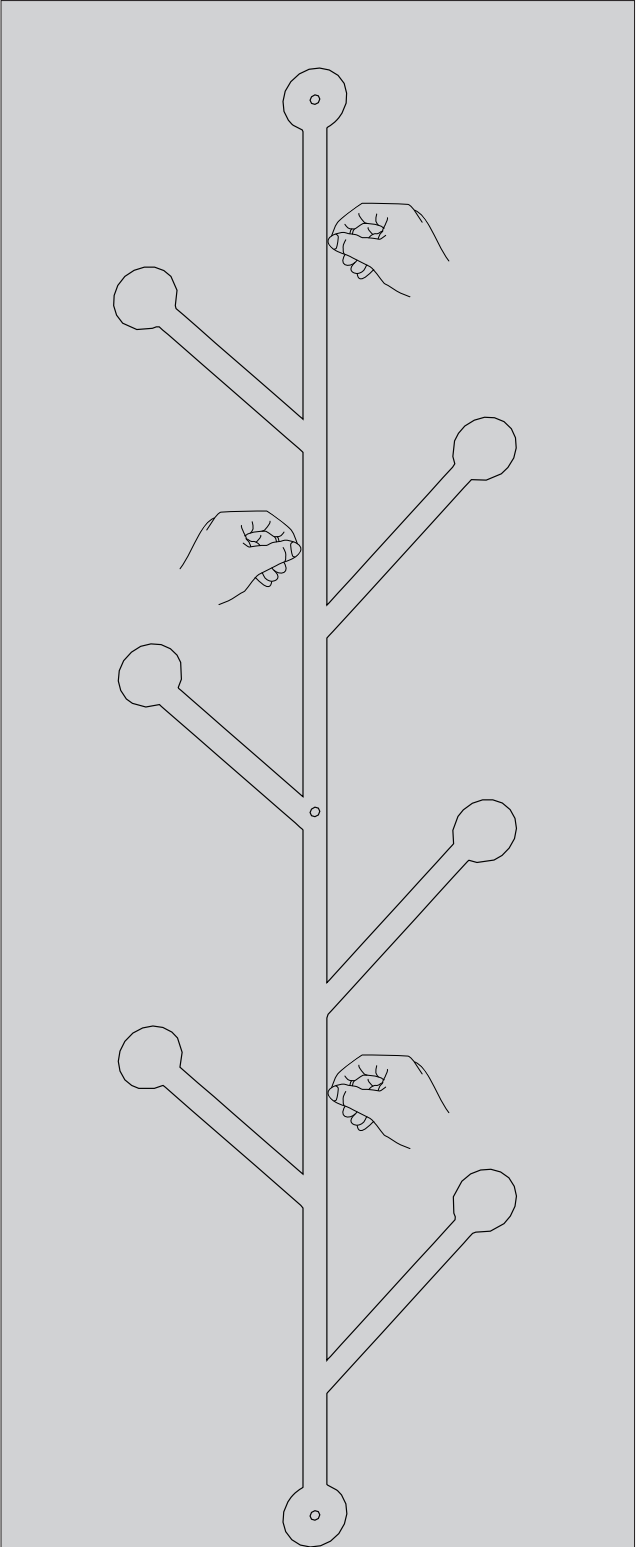
# 35<sup>step</sup>



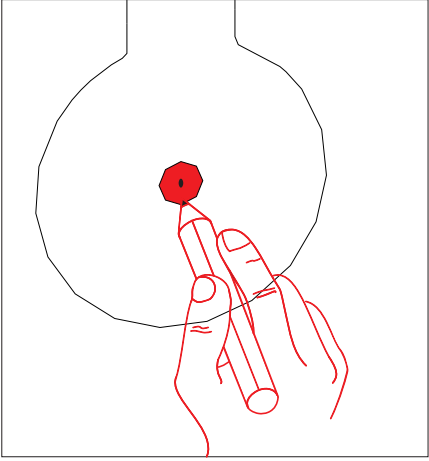
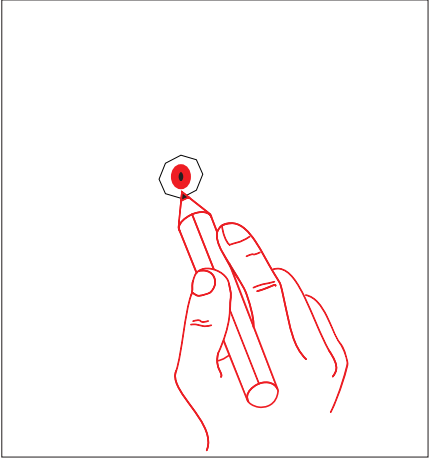
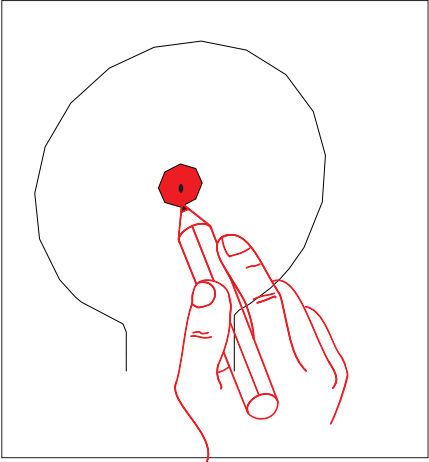
# 36<sub>step</sub>



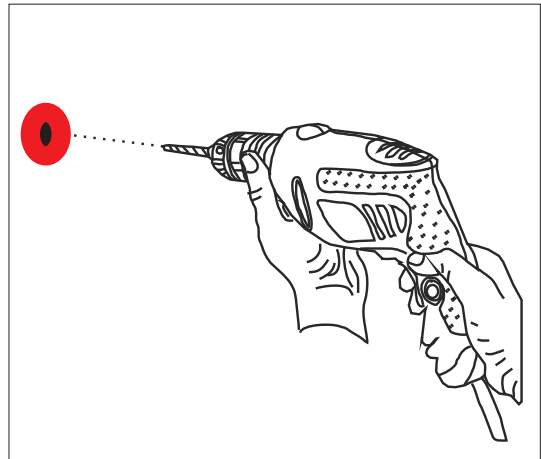
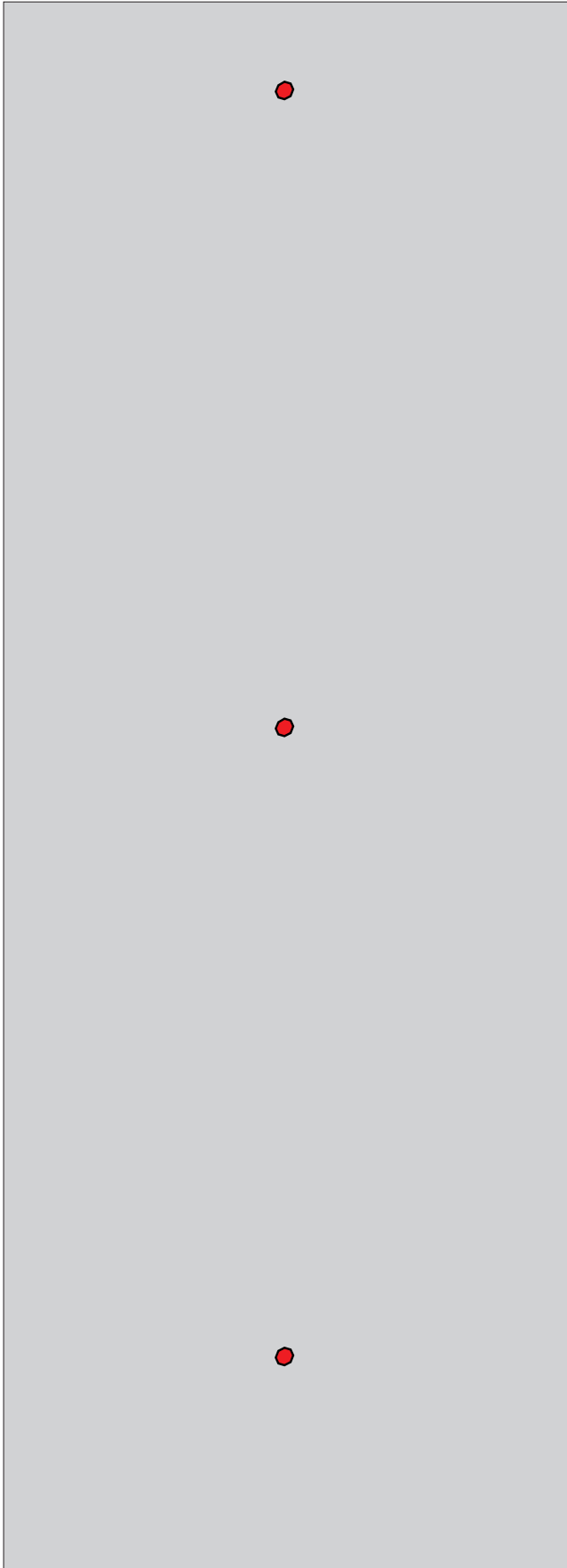
# Step 1



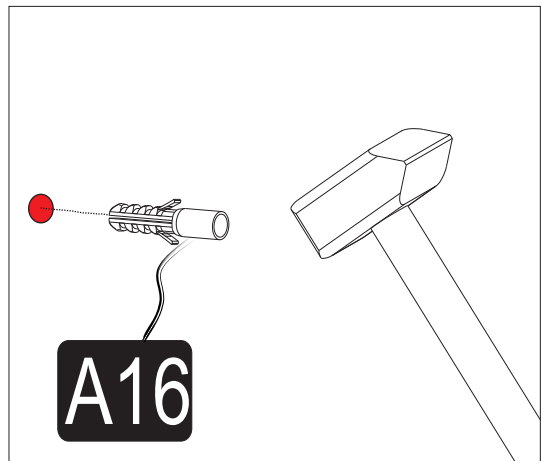
Hold the product in a fixed position on the wall.  
Mark the center of the hole with a pen.



# Step 2



Drill the marked locations with a drill



Attach the plugs to the drilled places.

# Step 3

