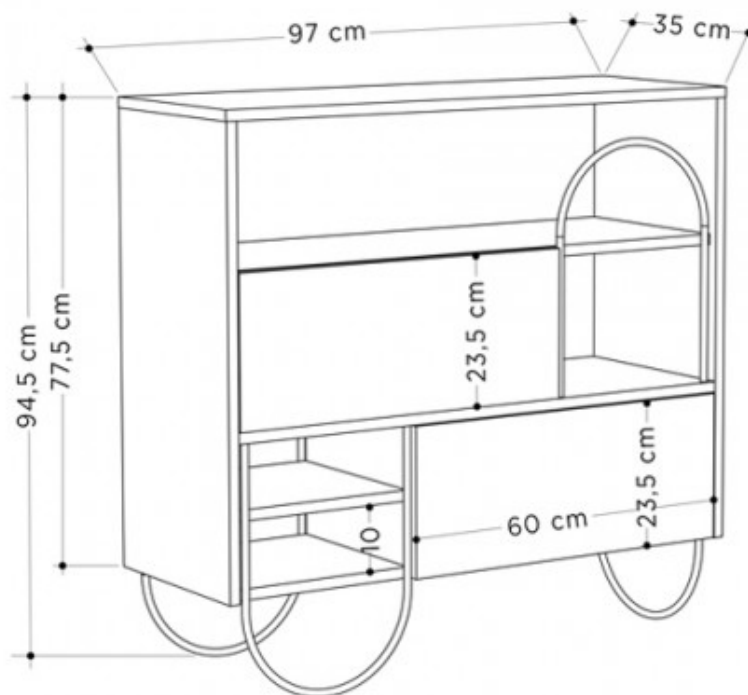

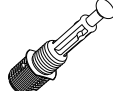
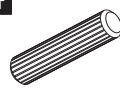


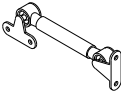

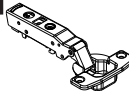
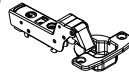
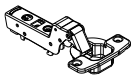
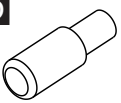
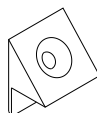
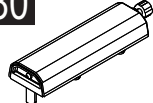

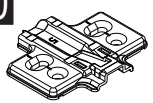

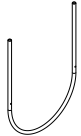
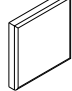
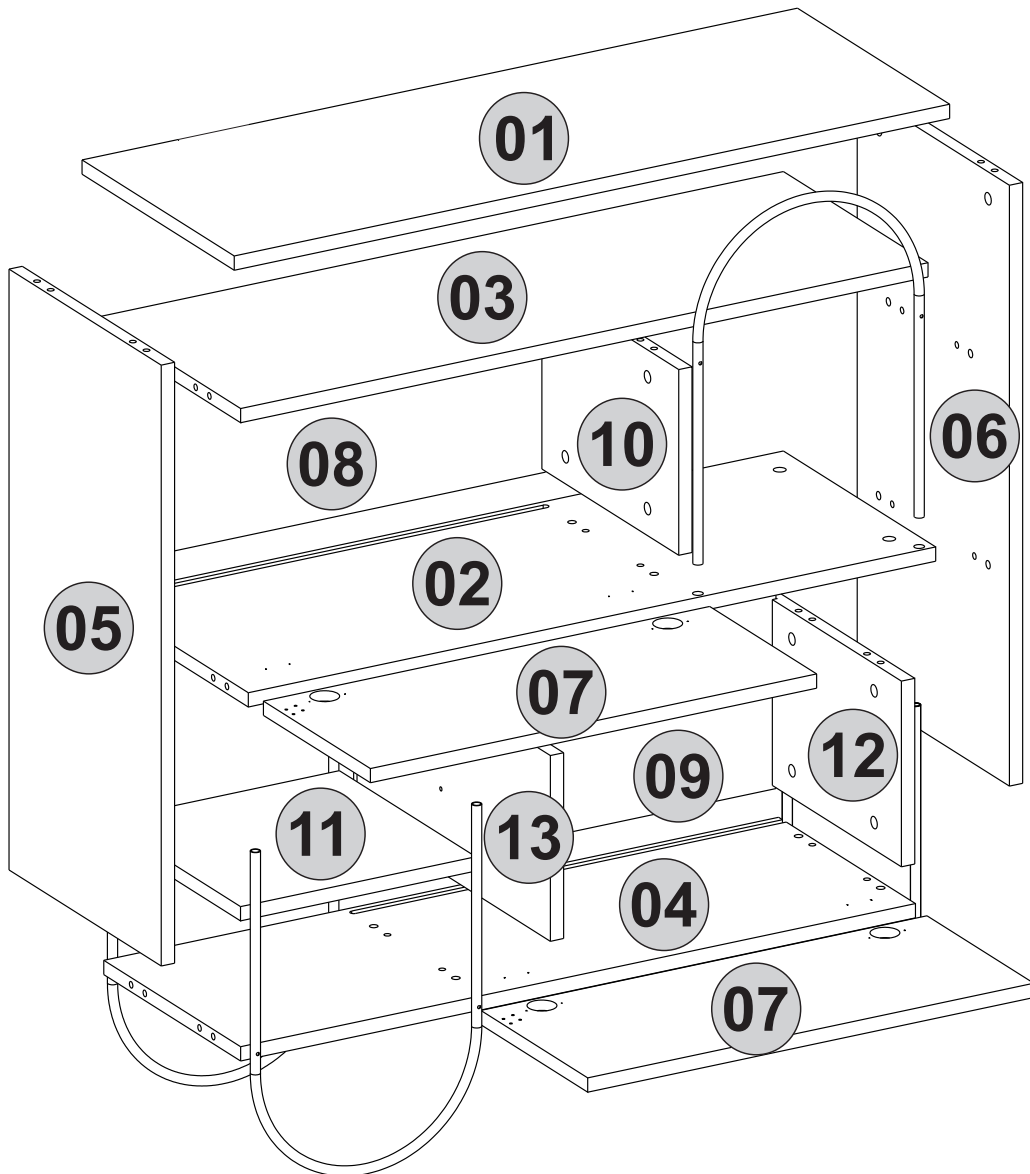


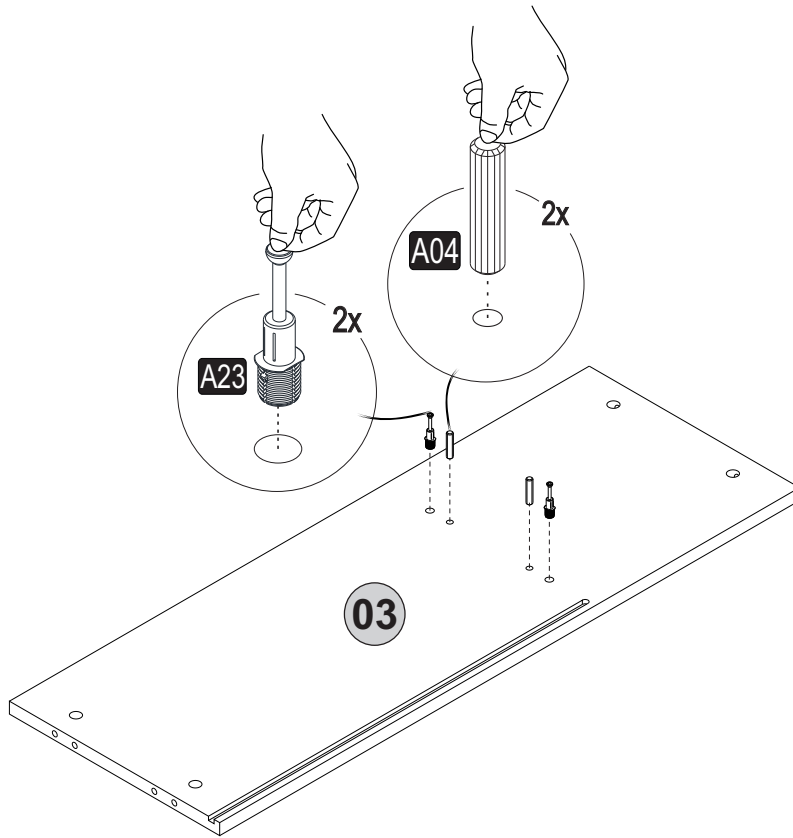
i GP037-0142,1



A22 Minifix k18  26x	A23 Minifix M10  26x	A04 Ø8  26x	A12 Allen  1x	A06 18mm  C1-26x
Z67 DKP  2x	A18 3,5x18  14x	C14 Dm(S)  2x	C16 Sdb(S)  1x	C19 SdbF(S)  1x
A48 Raf Pimi  4x	A25 ARK.PL  6x	A80 bas ac  1x	A50 3,5x16 (Black)  24x	C20 Mtk(S)  4x
A67 3,5x30 (Black)  8x	Z33 DLK254mm  4x	A82 bas ac k.  1x		

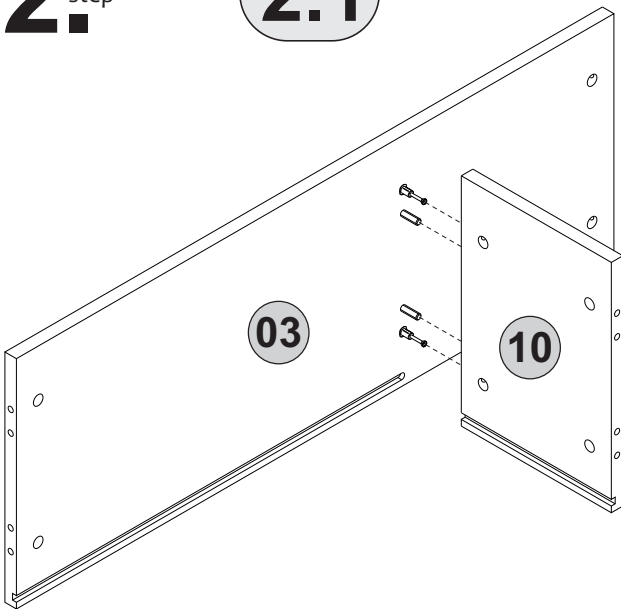


1. step

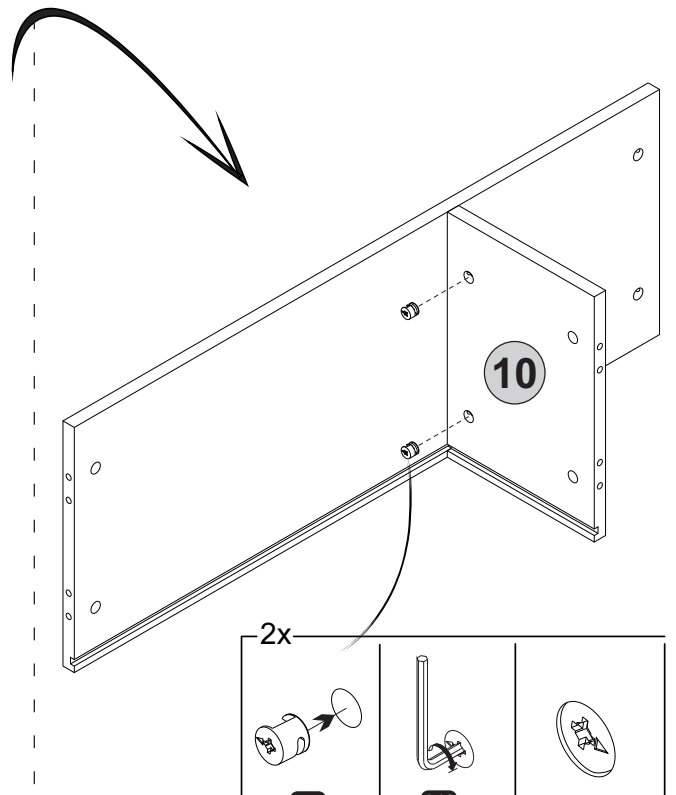


2. step

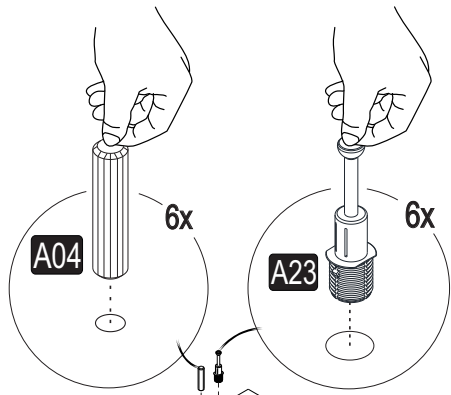
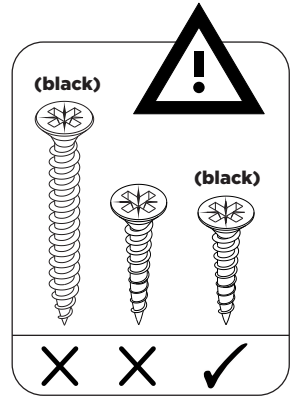
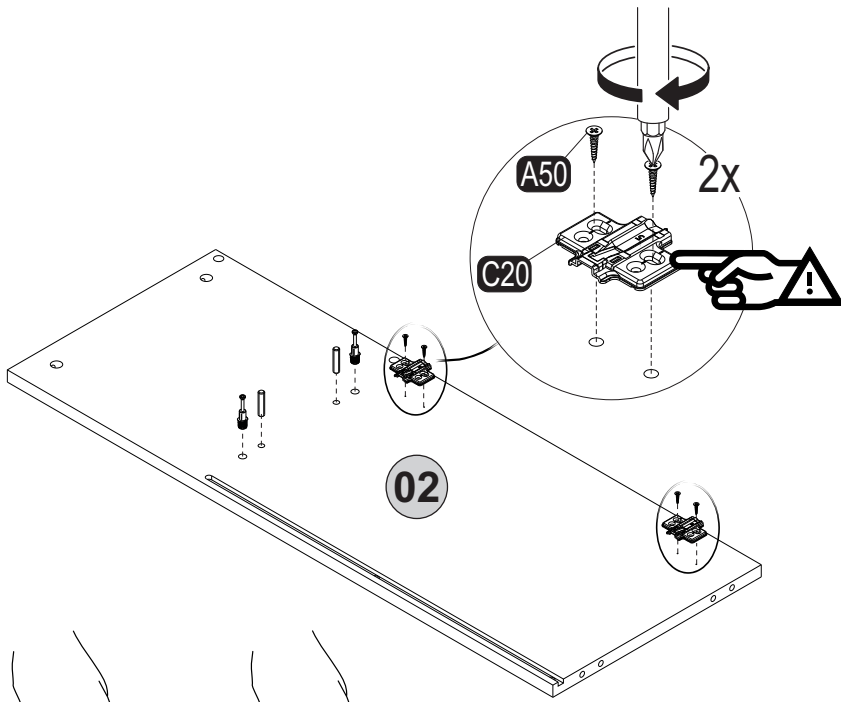
2.1



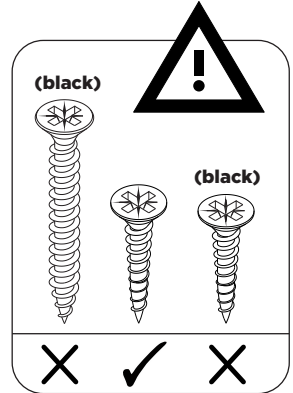
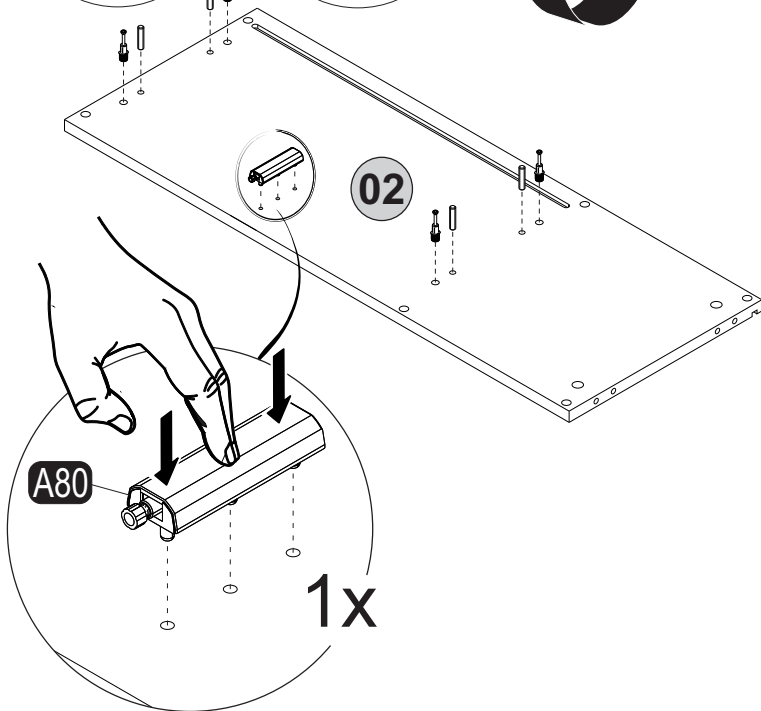
2.2



3^{step}

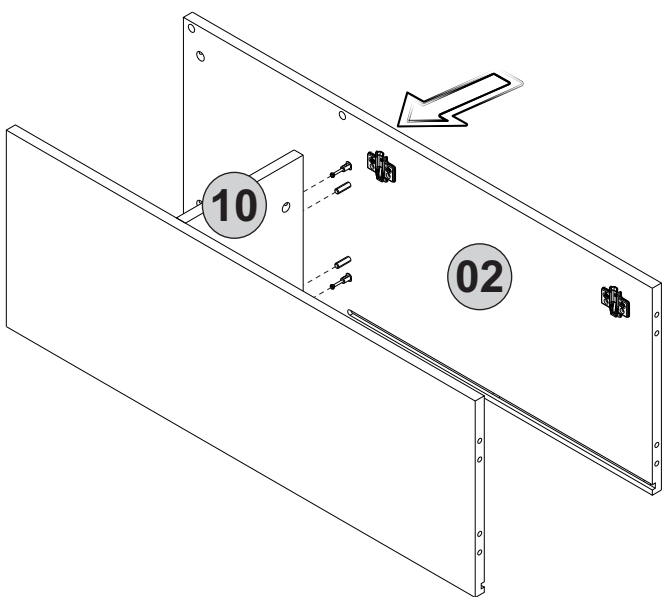


Rotate

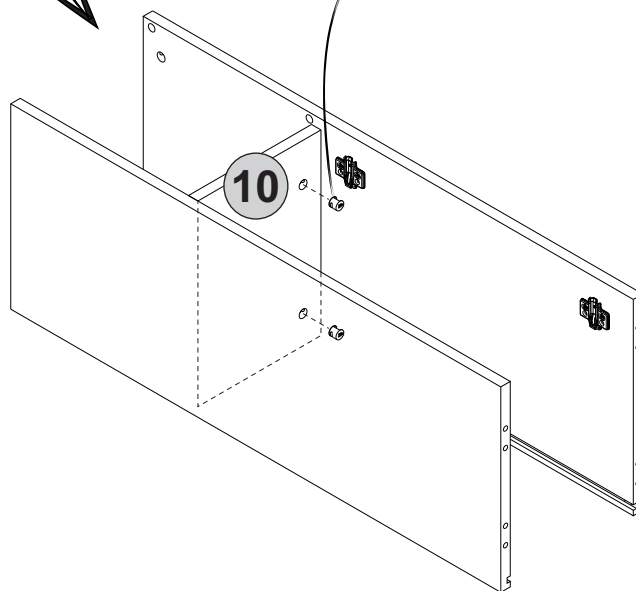
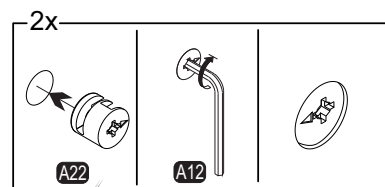


4._{step}

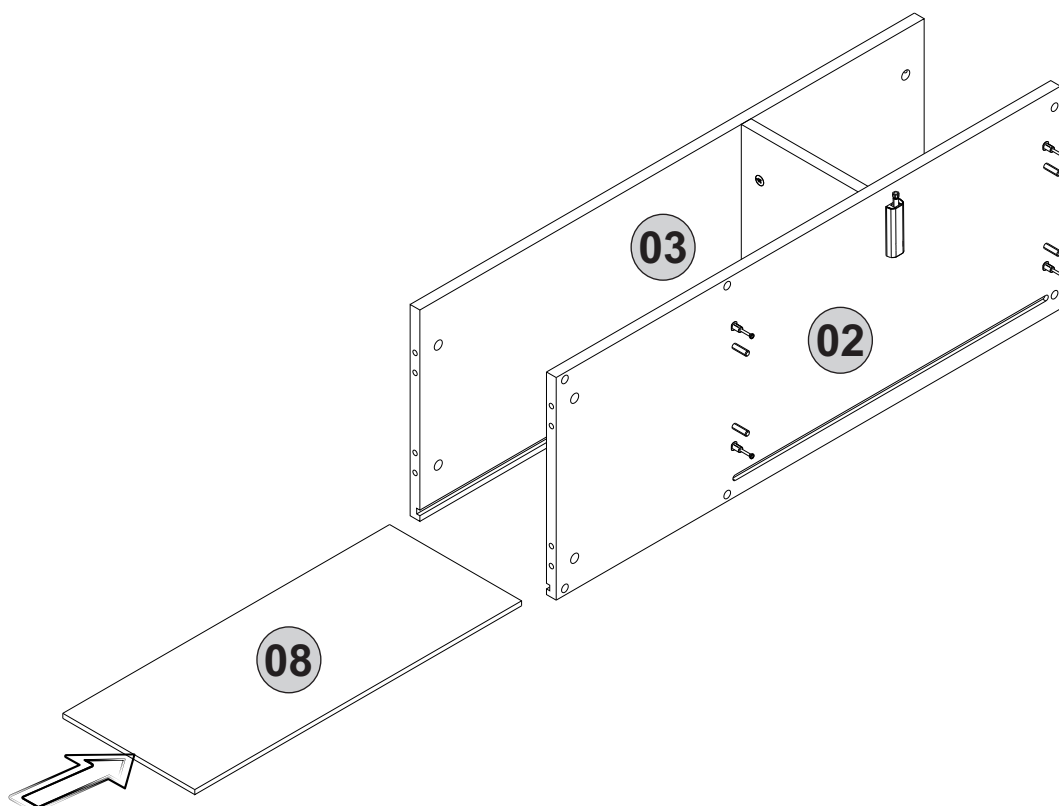
4.1



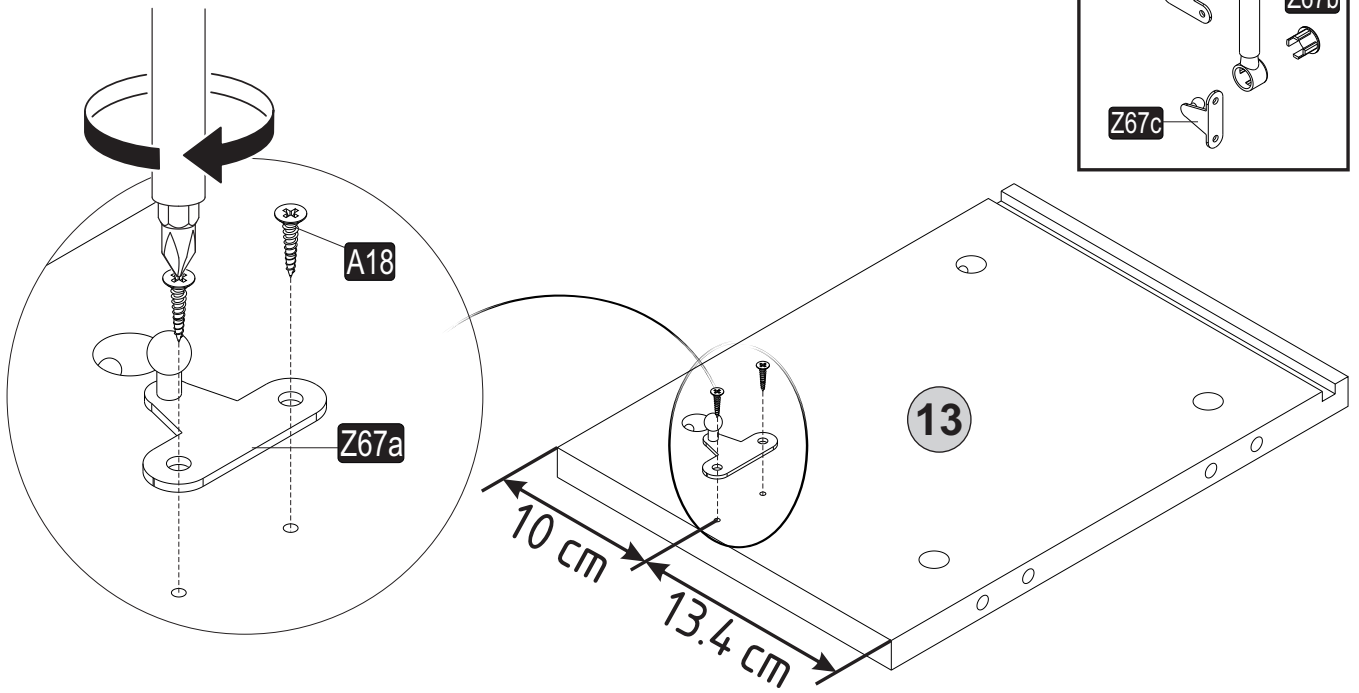
4.2



5._{step}



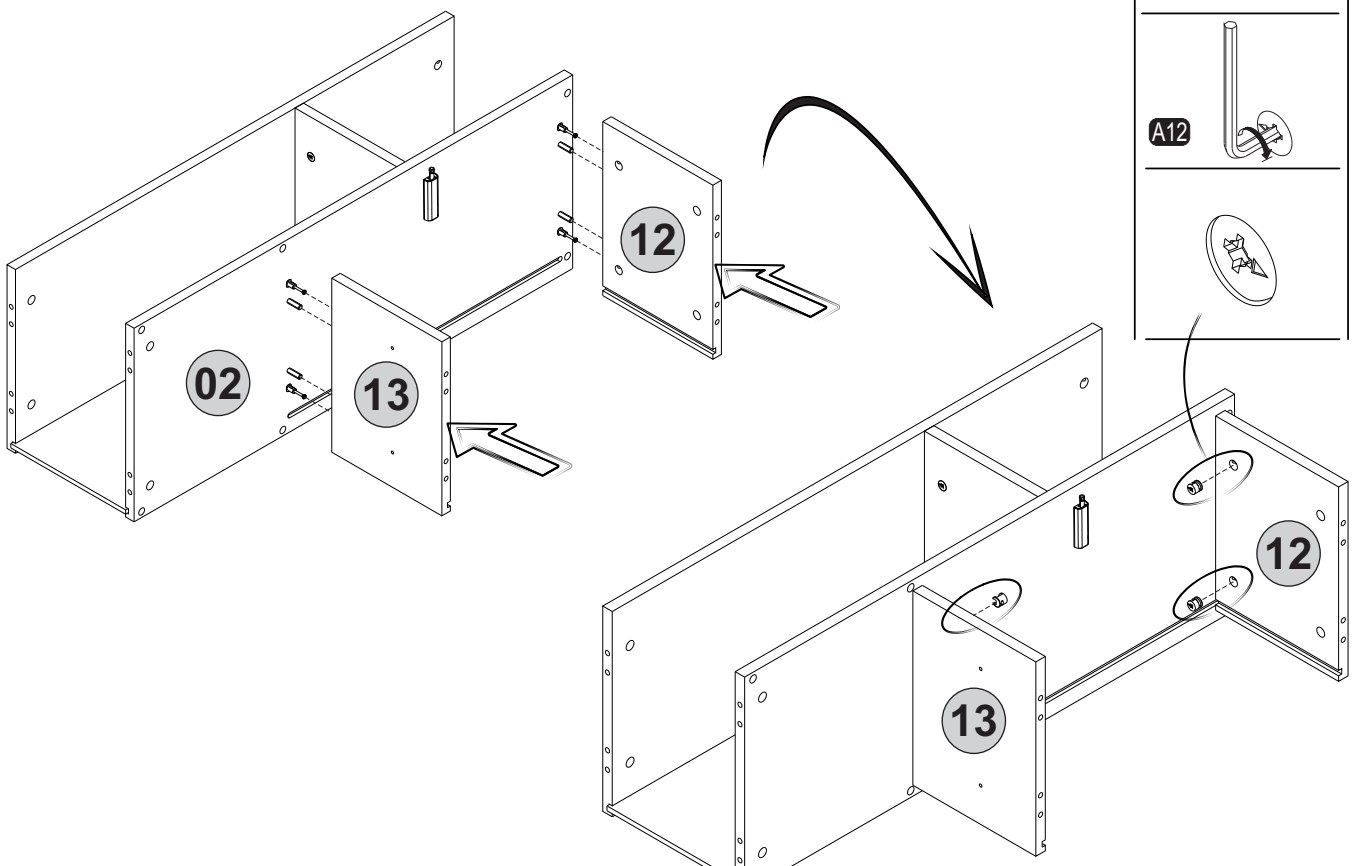
6^{step}



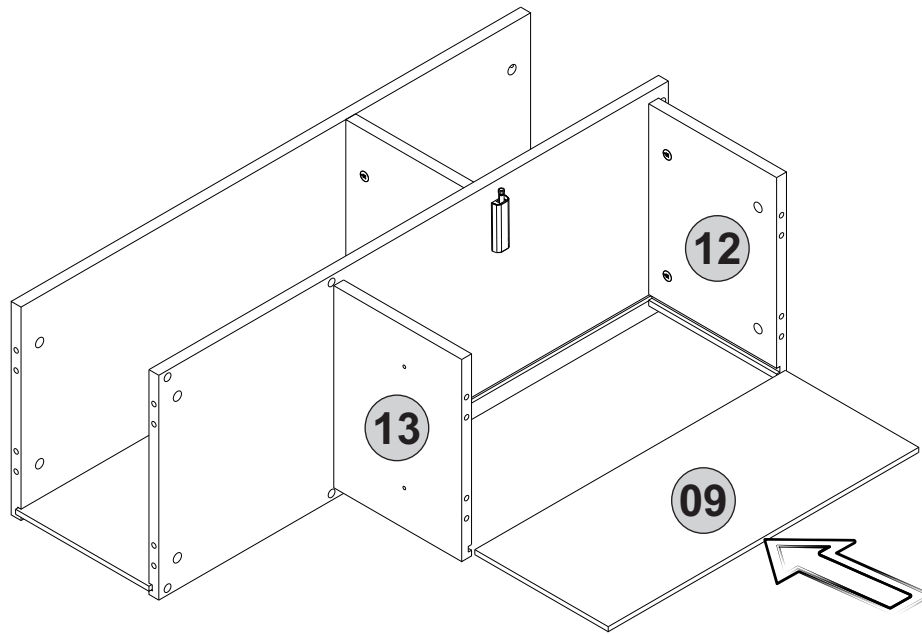
7^{step}

7.1

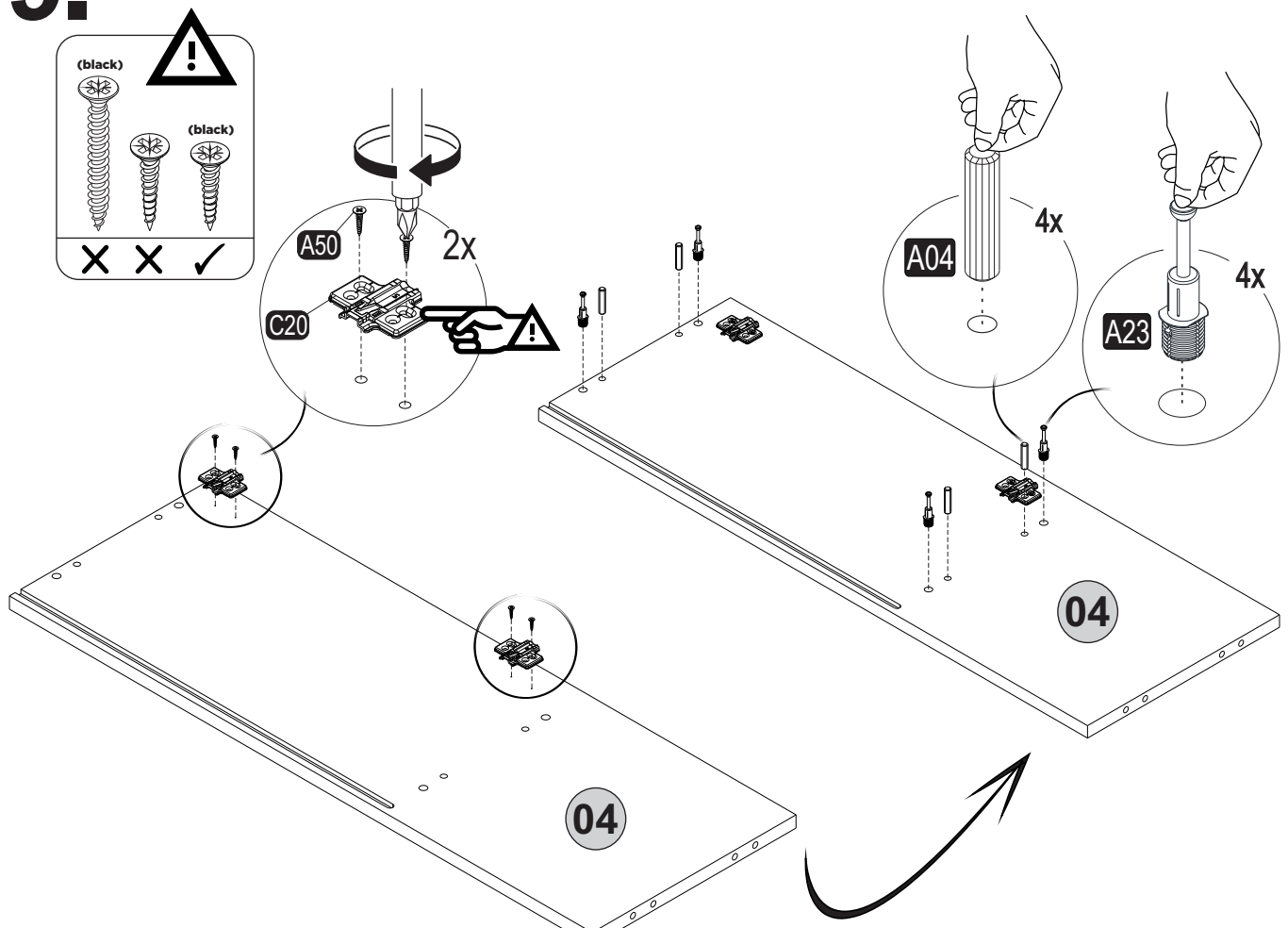
7.2



8^{step}

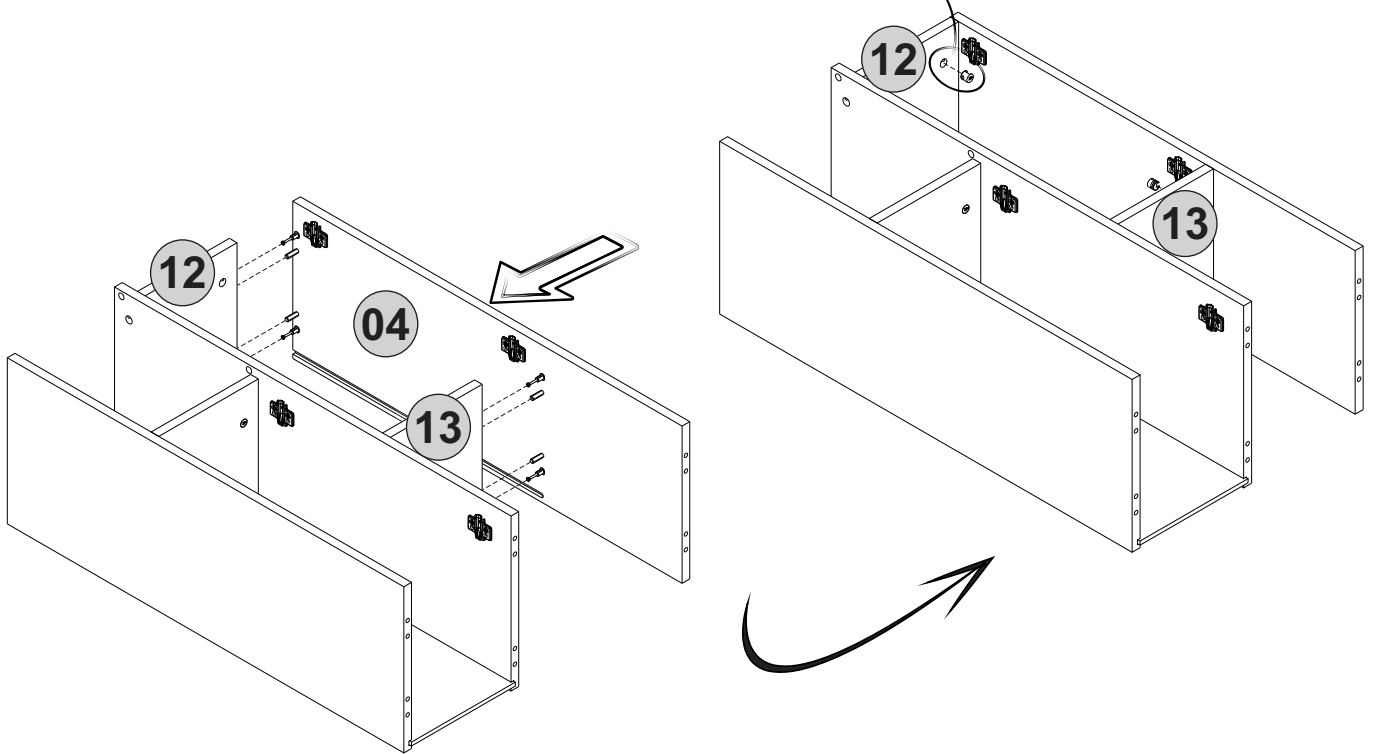
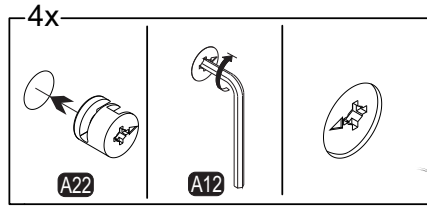


9^{step}



10^{step}

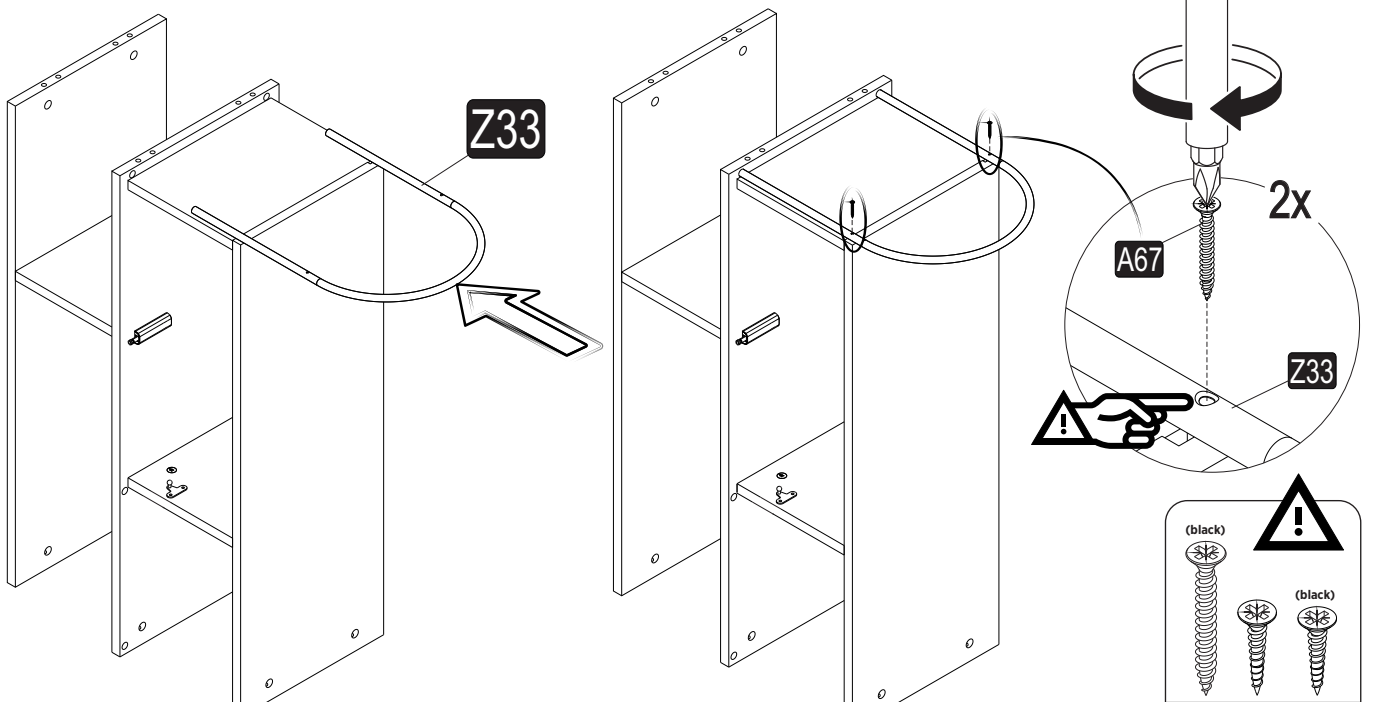
10.1



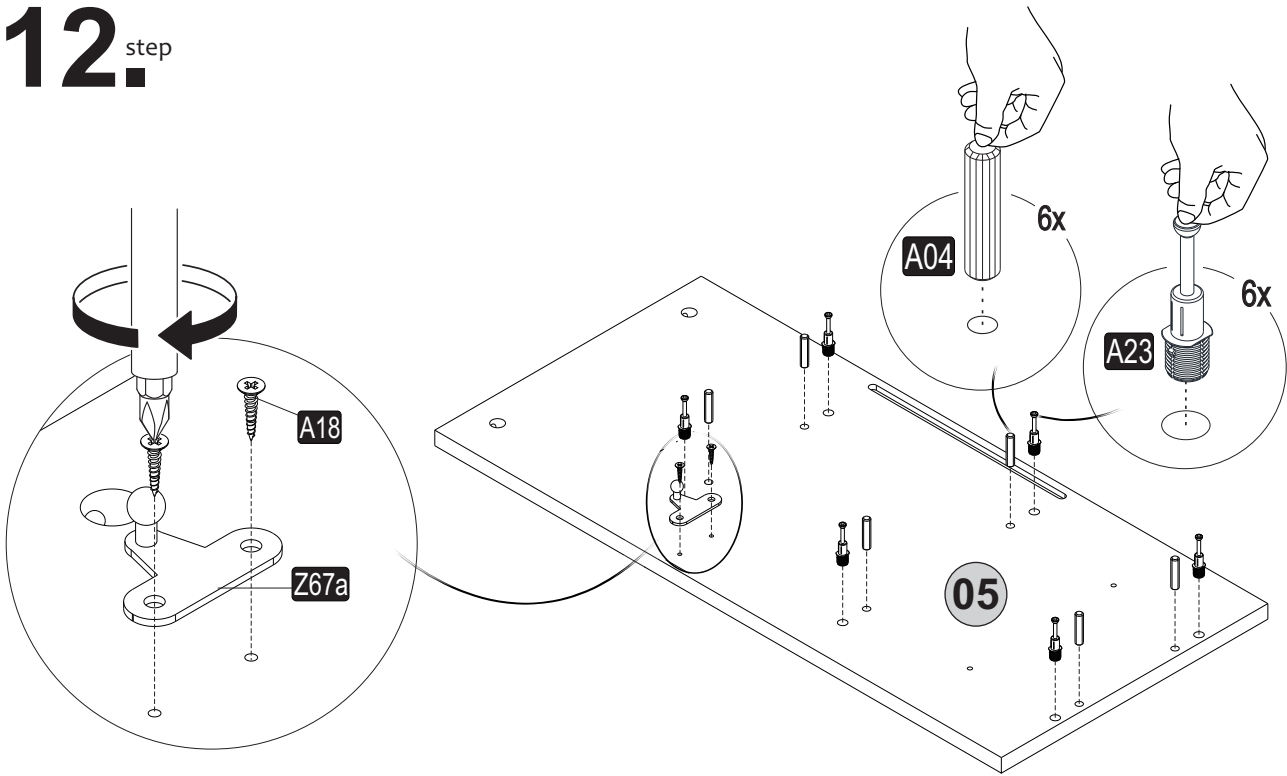
11^{step}

11.1

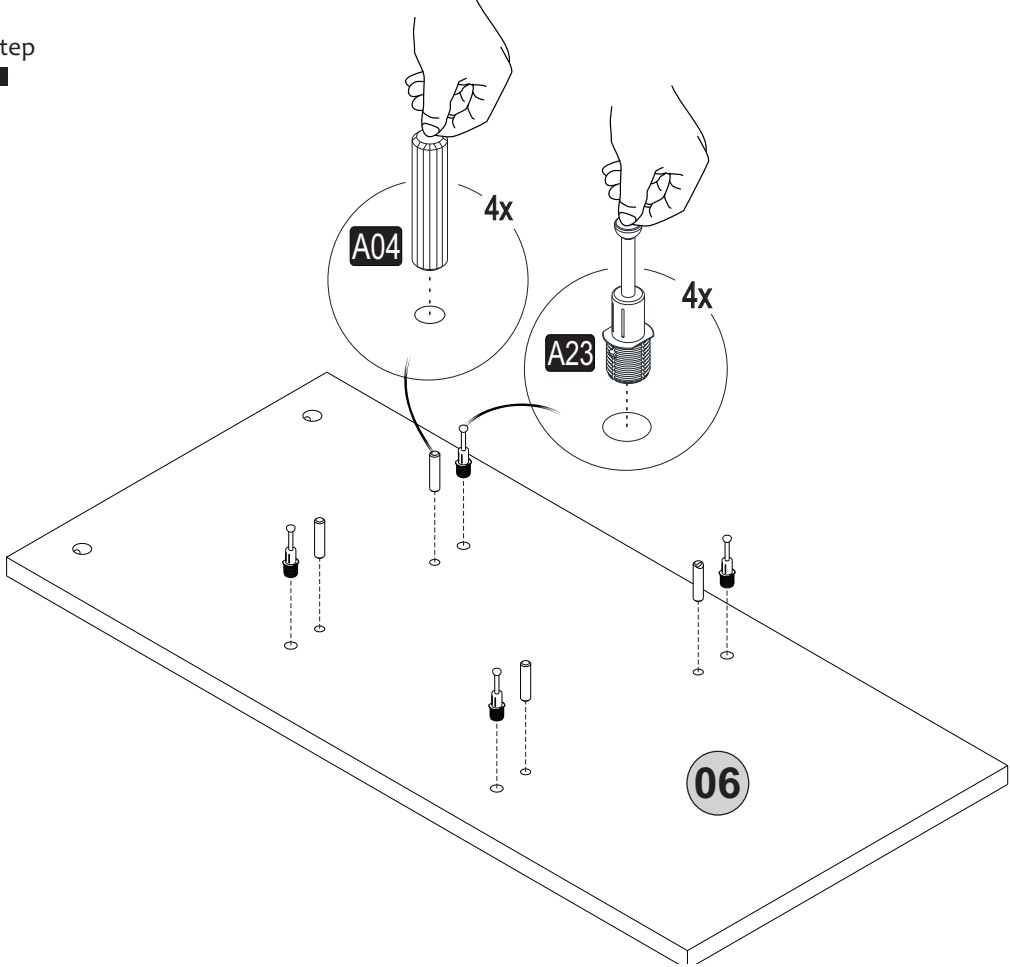
11.2



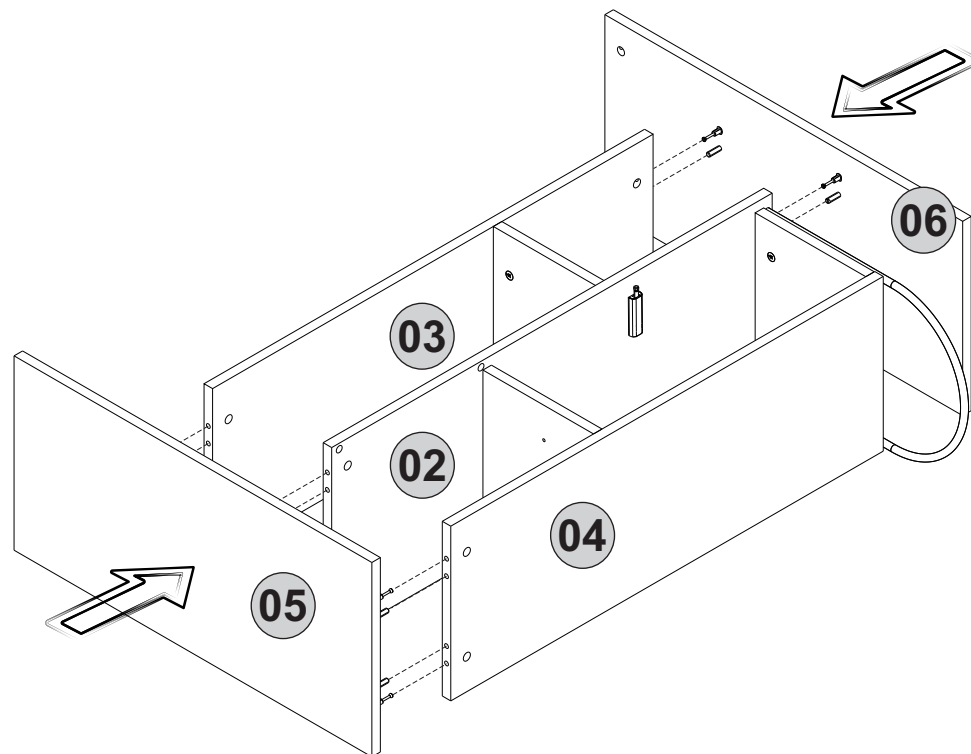
12^{step}



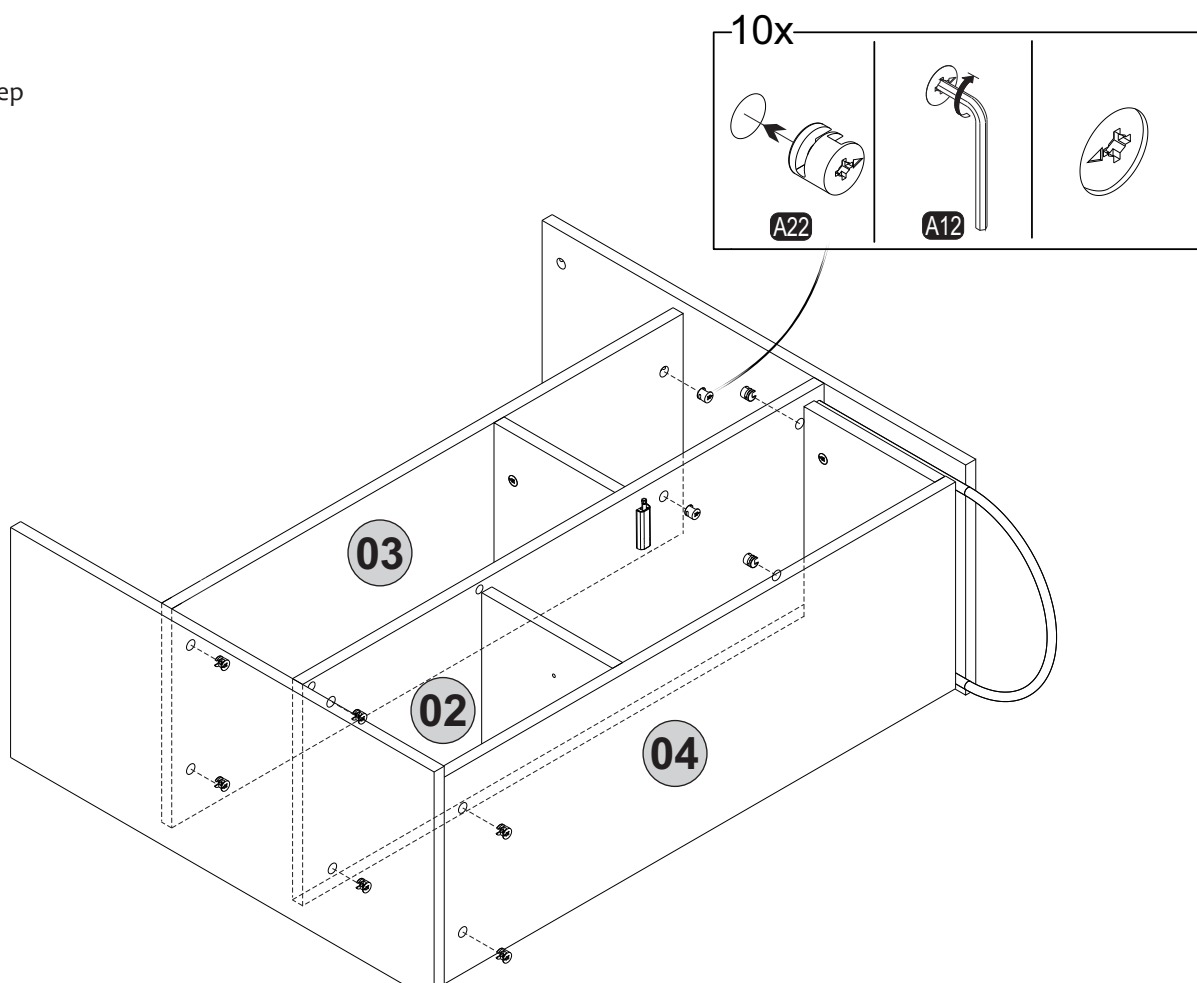
13^{step}



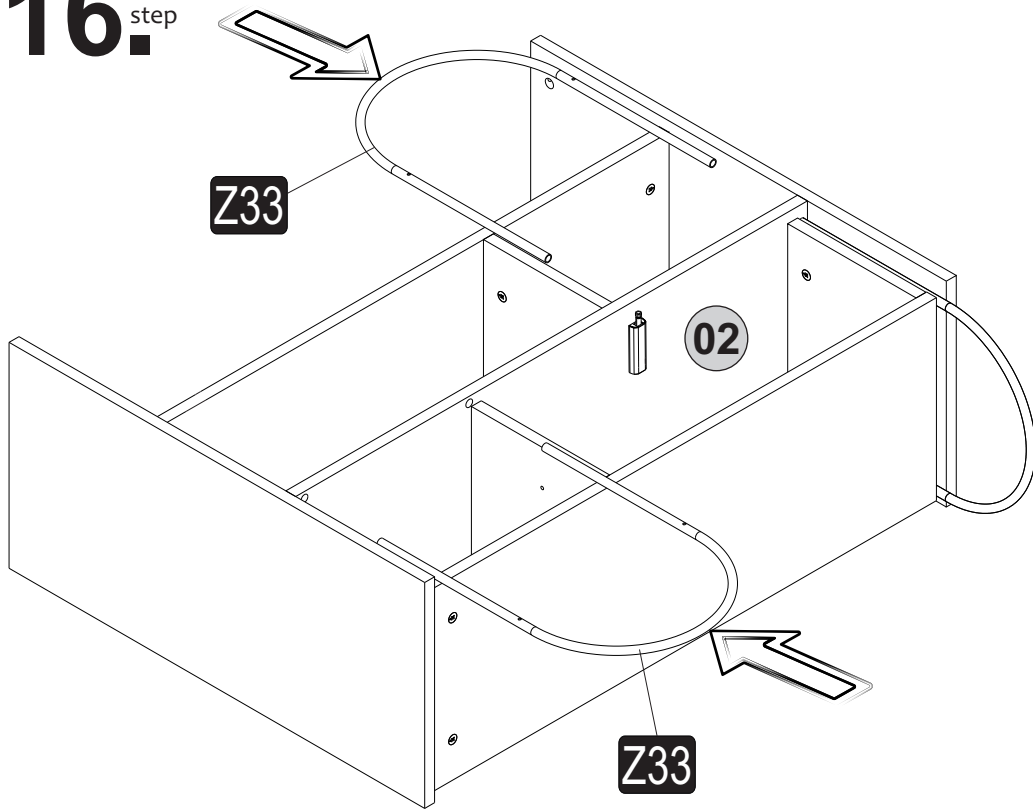
14.^{step}



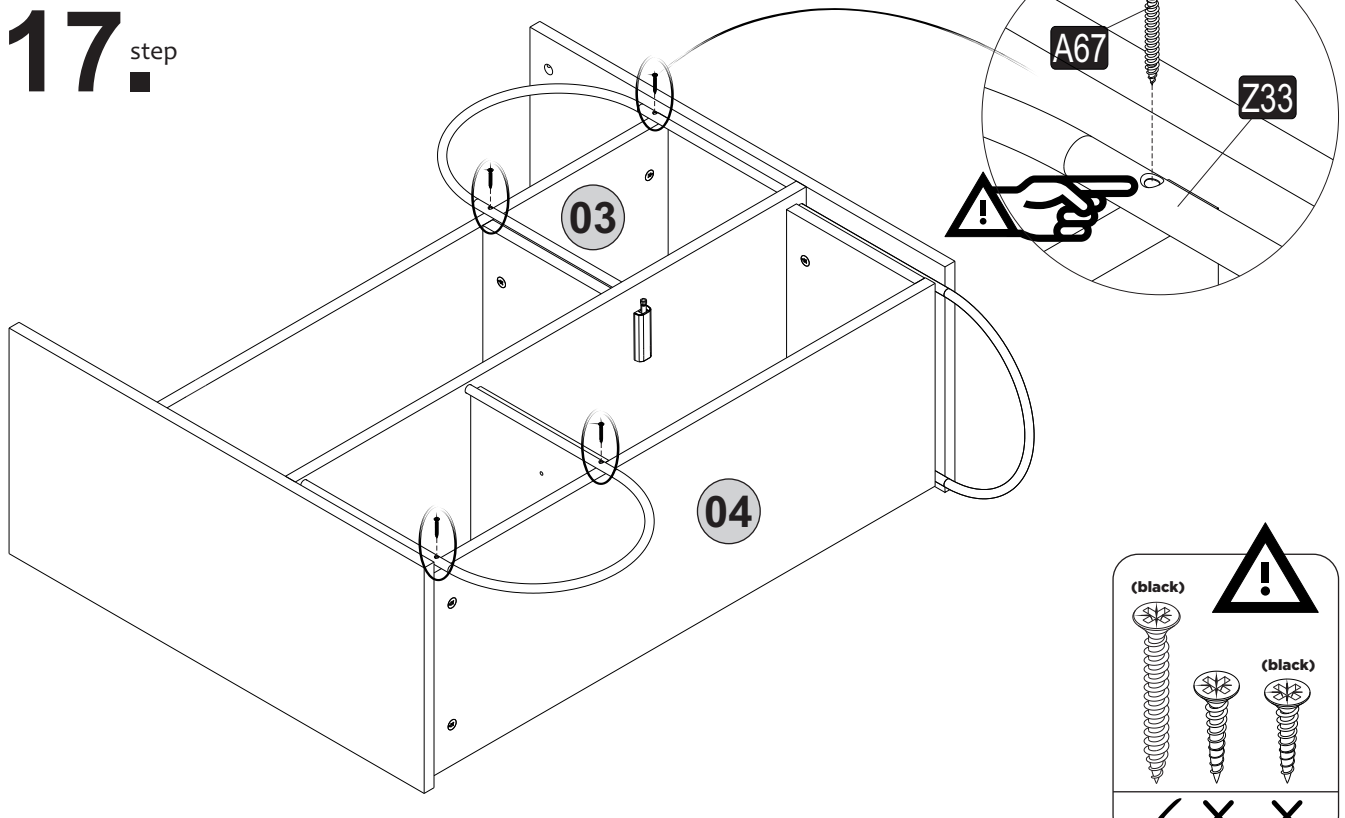
15.^{step}



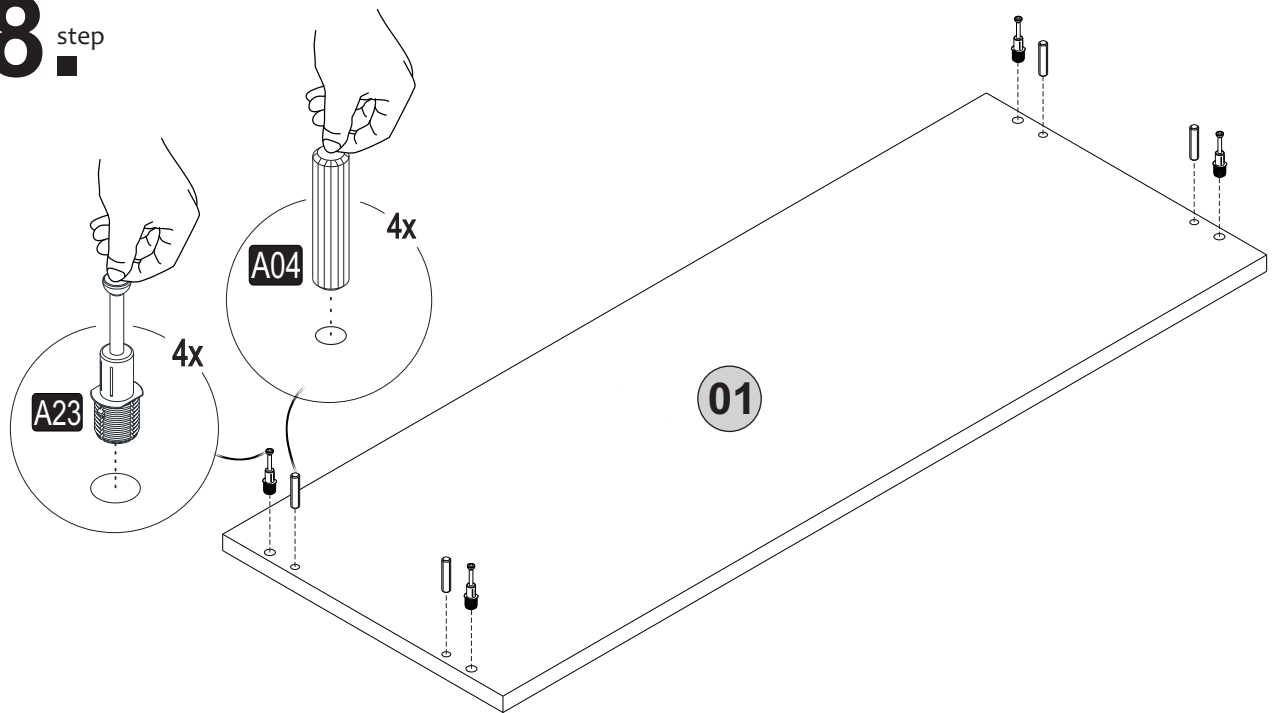
16.^{step}



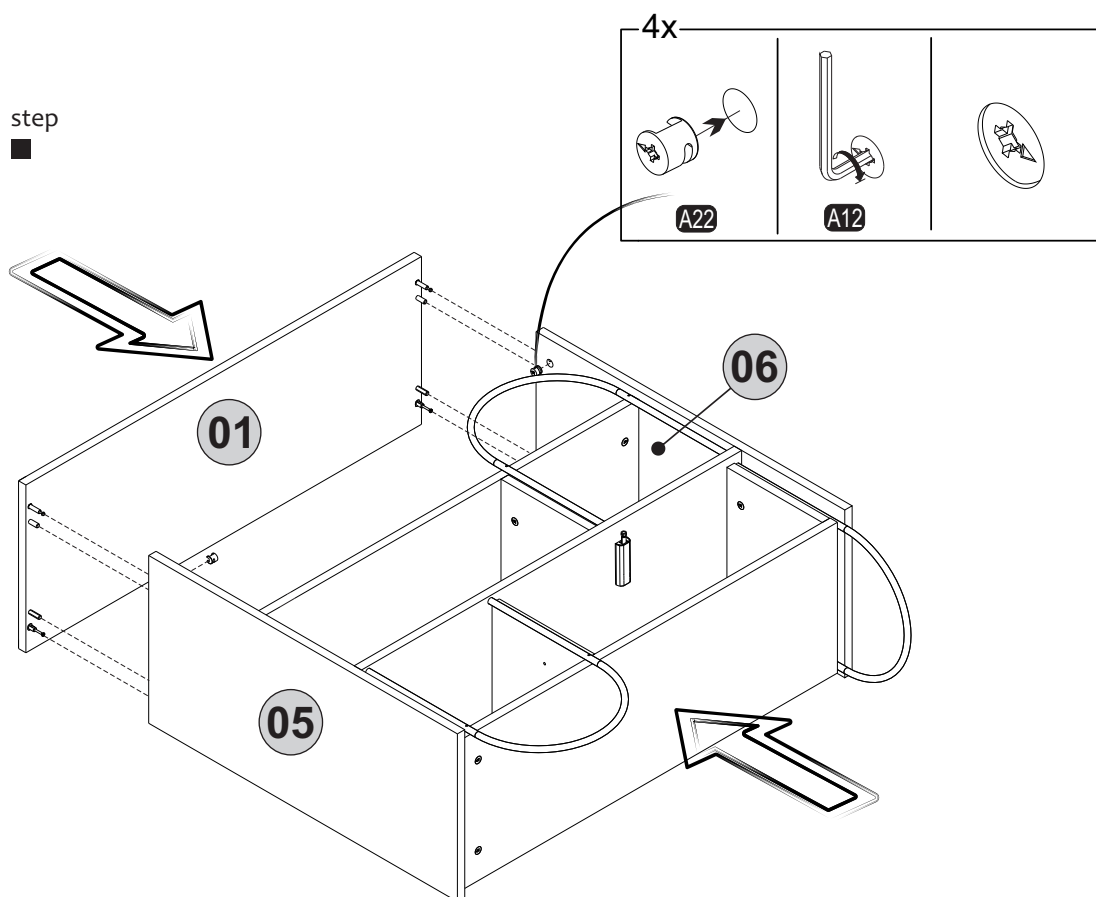
17.^{step}



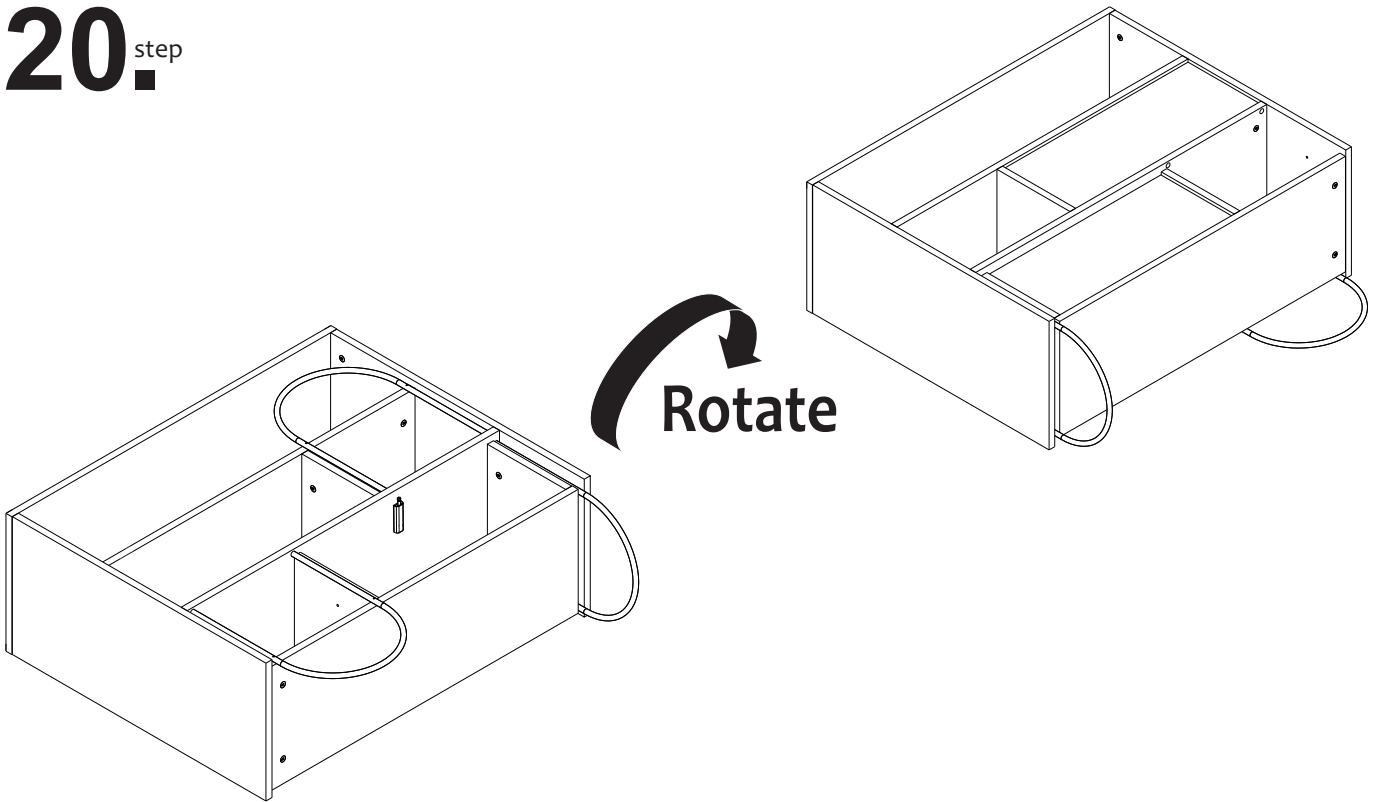
18.^{step}



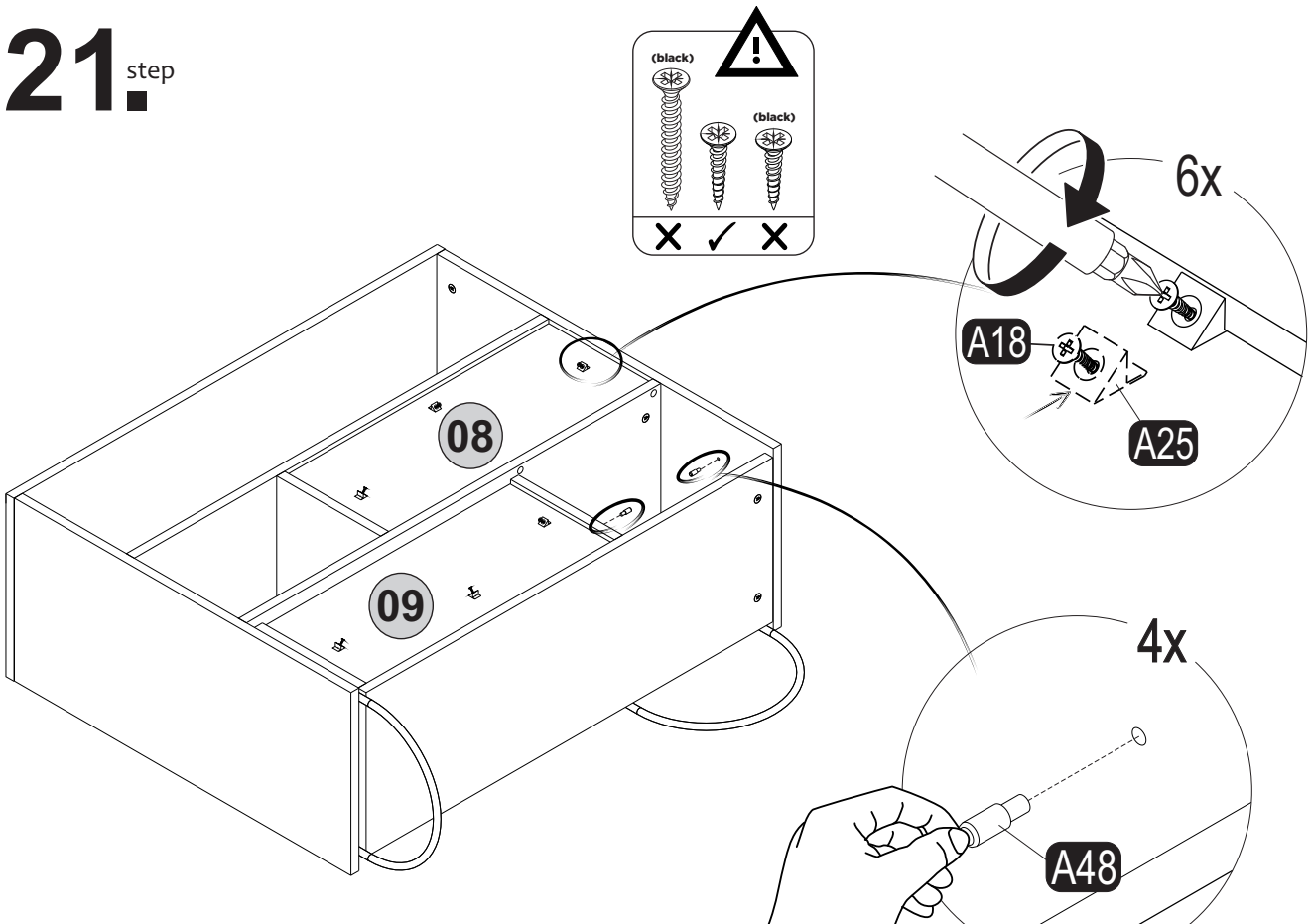
19.^{step}



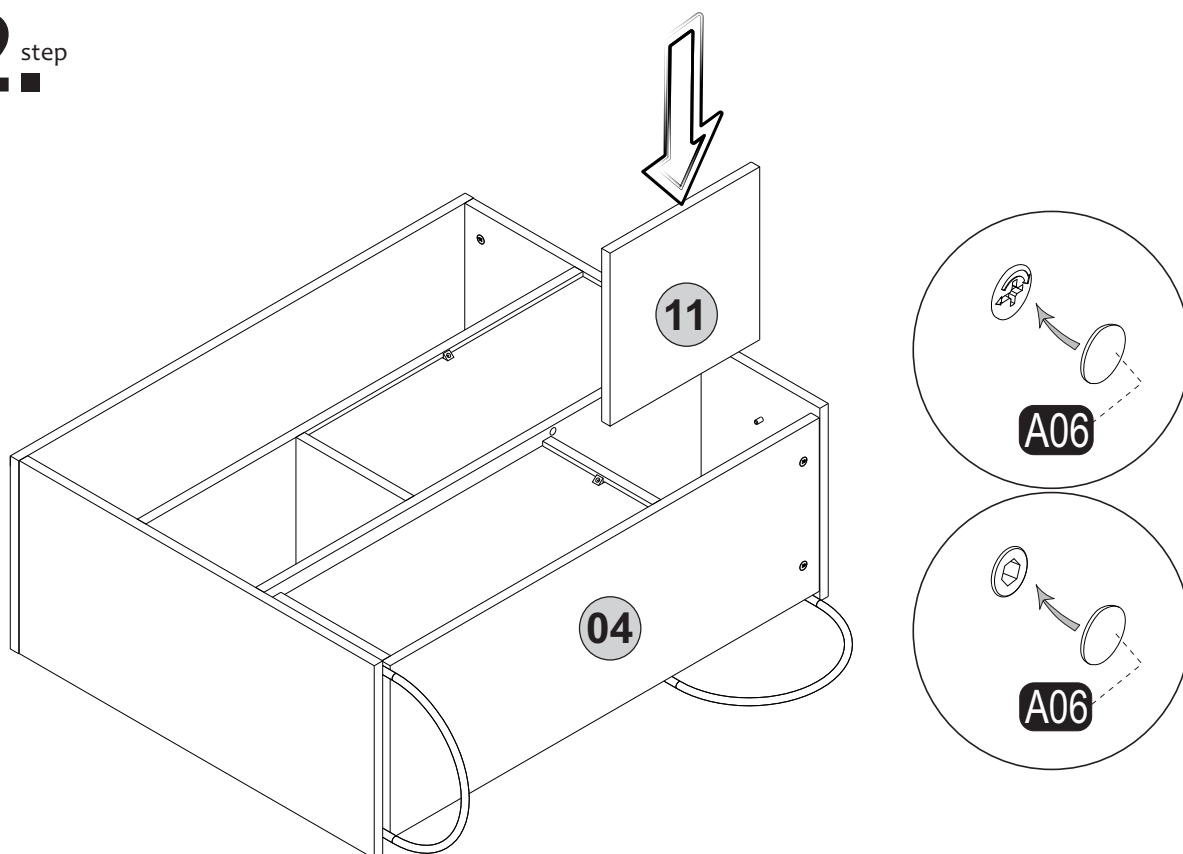
20.^{step}



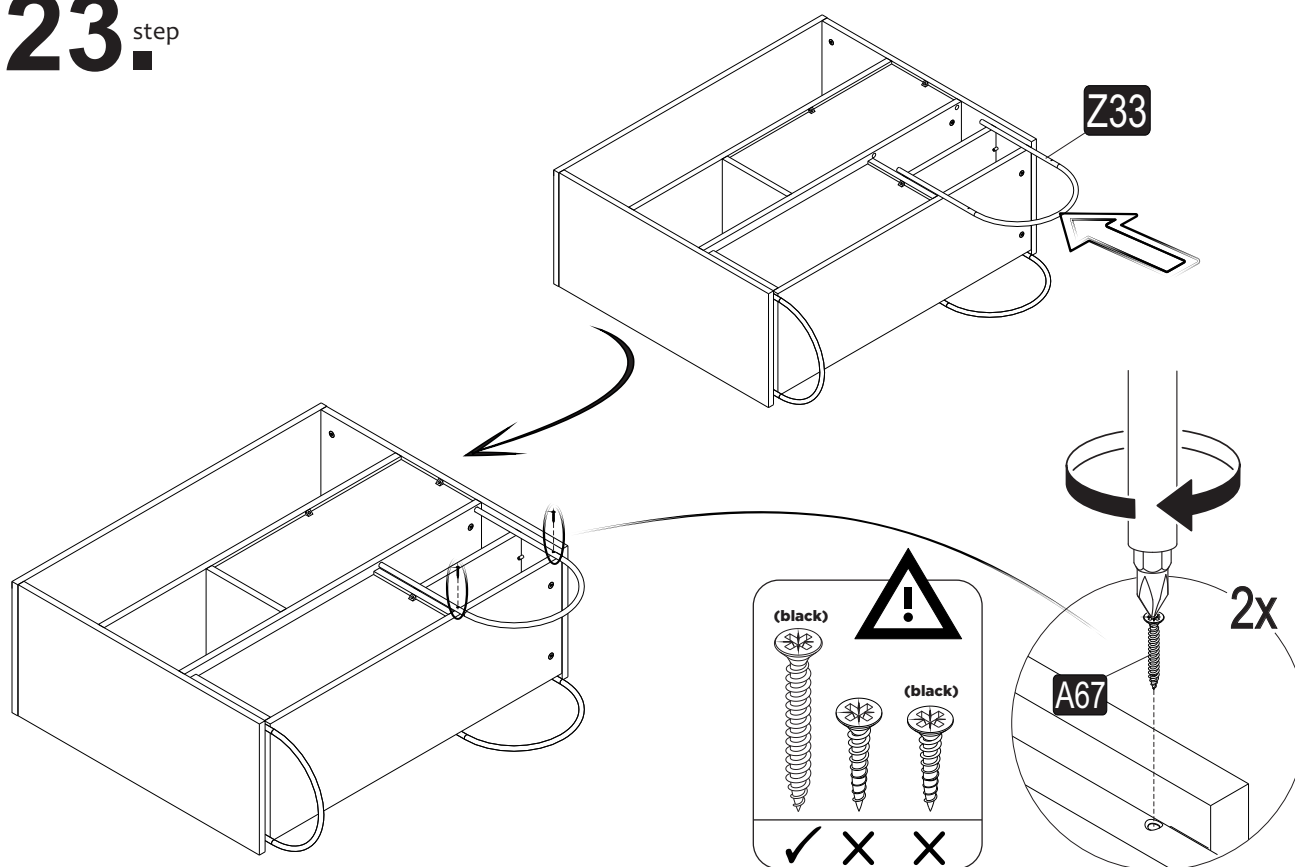
21.^{step}



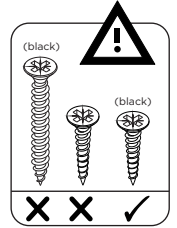
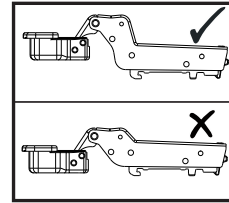
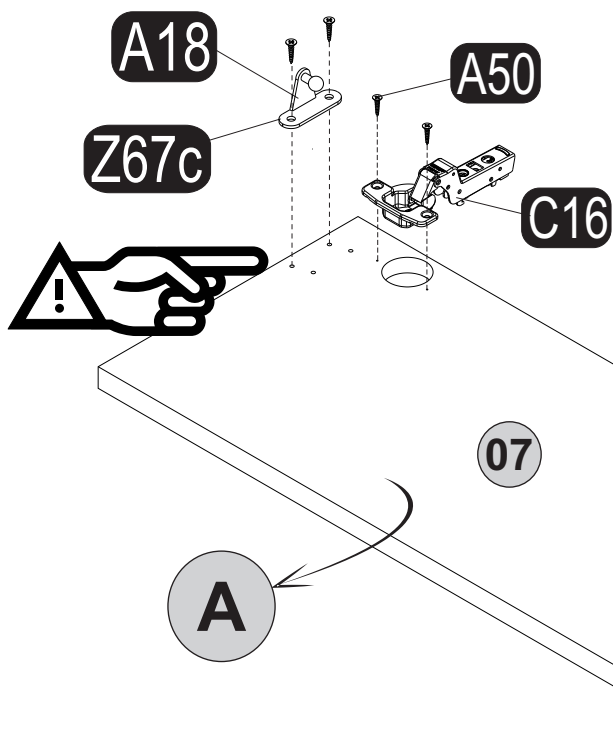
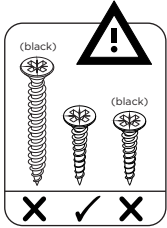
22_{step}



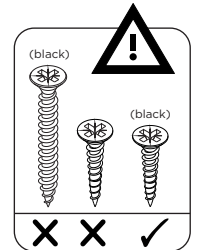
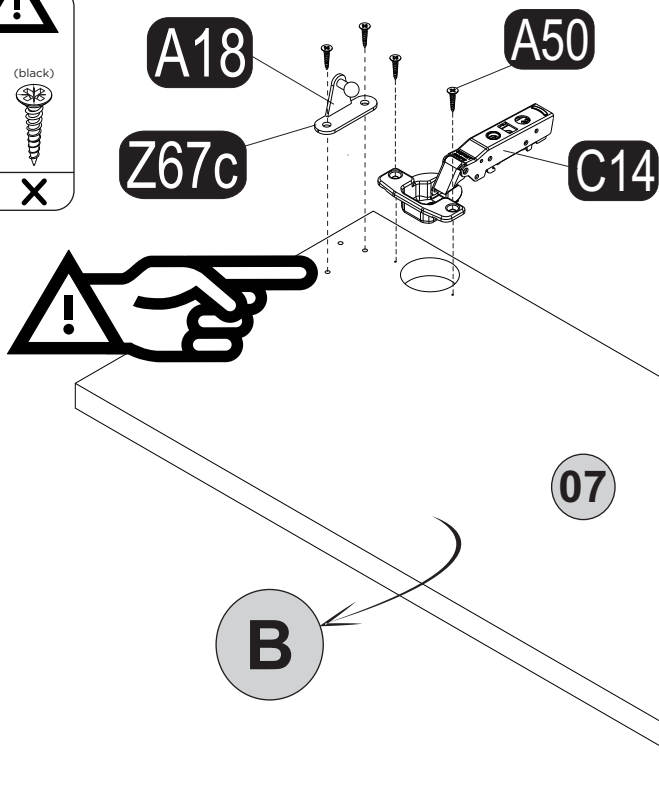
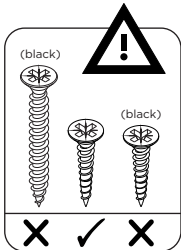
23_{step}



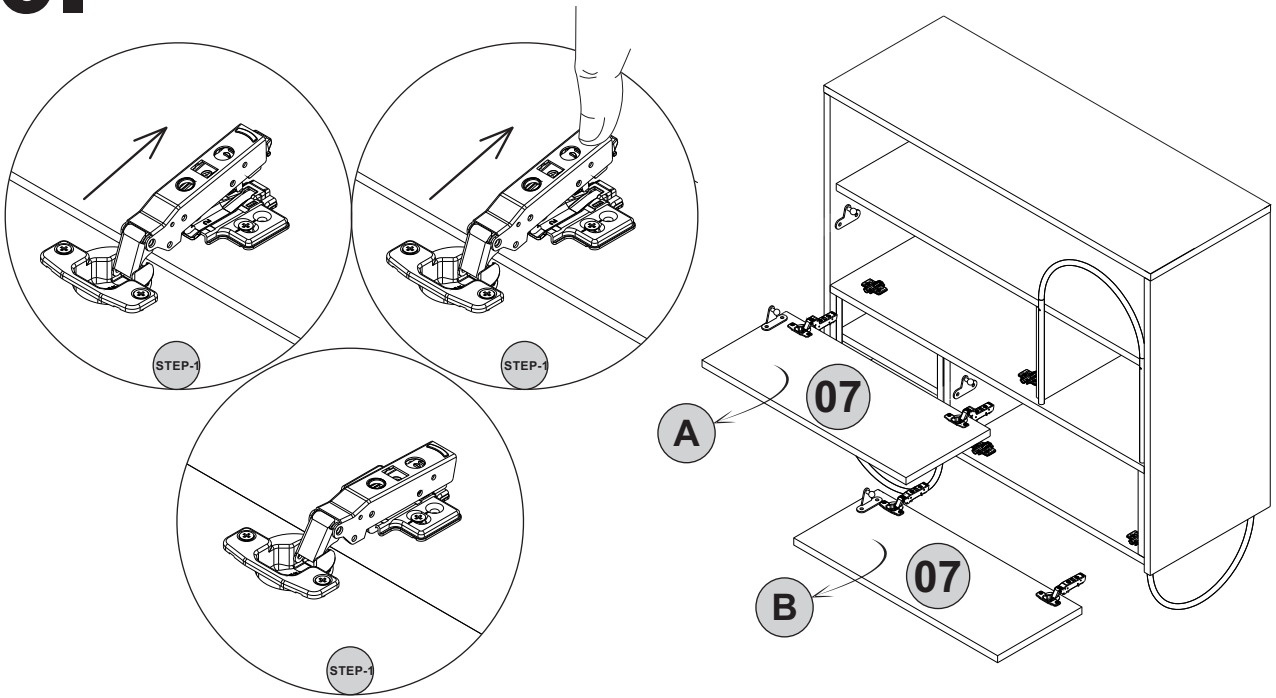
24.^{step}



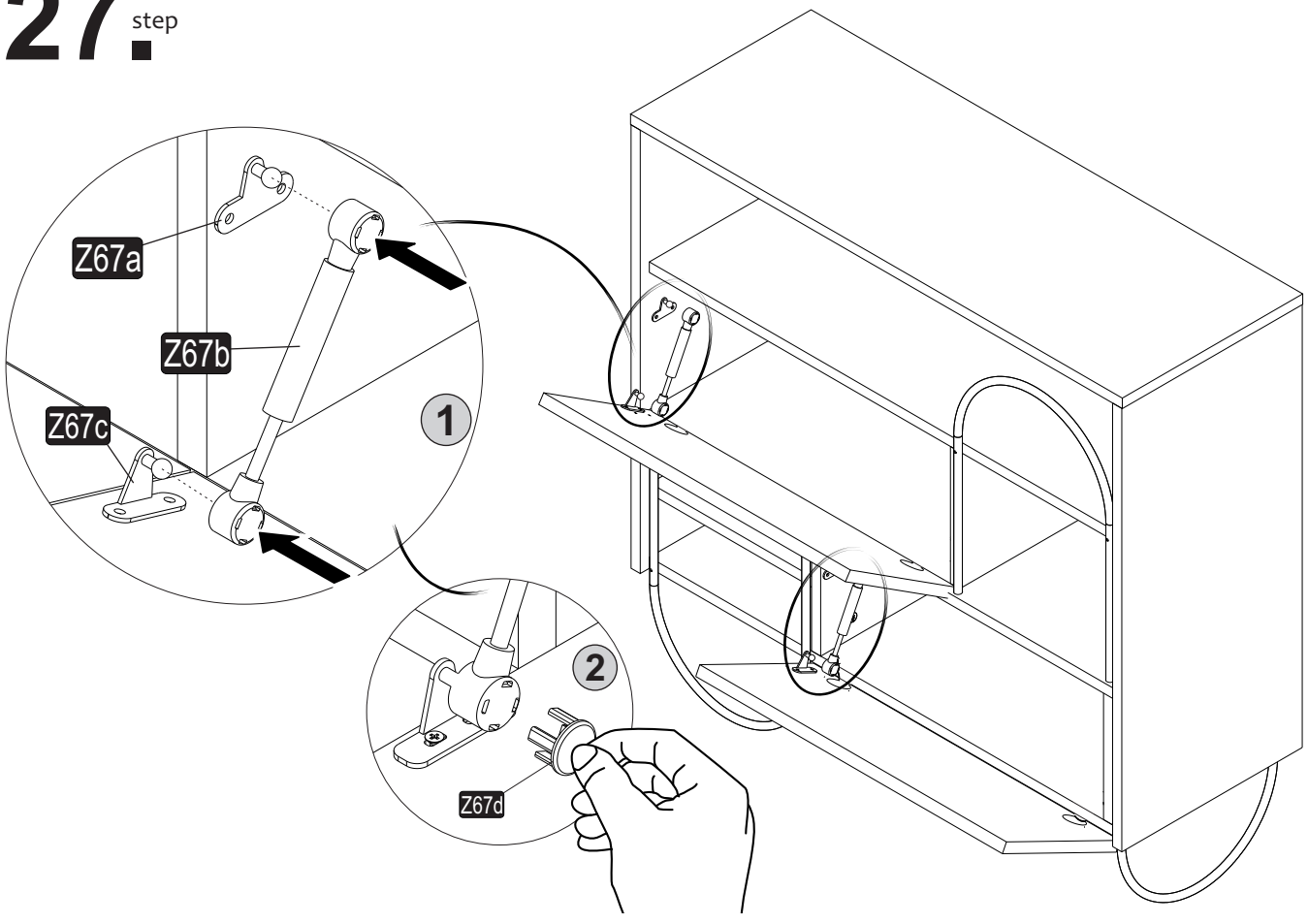
25.^{step}



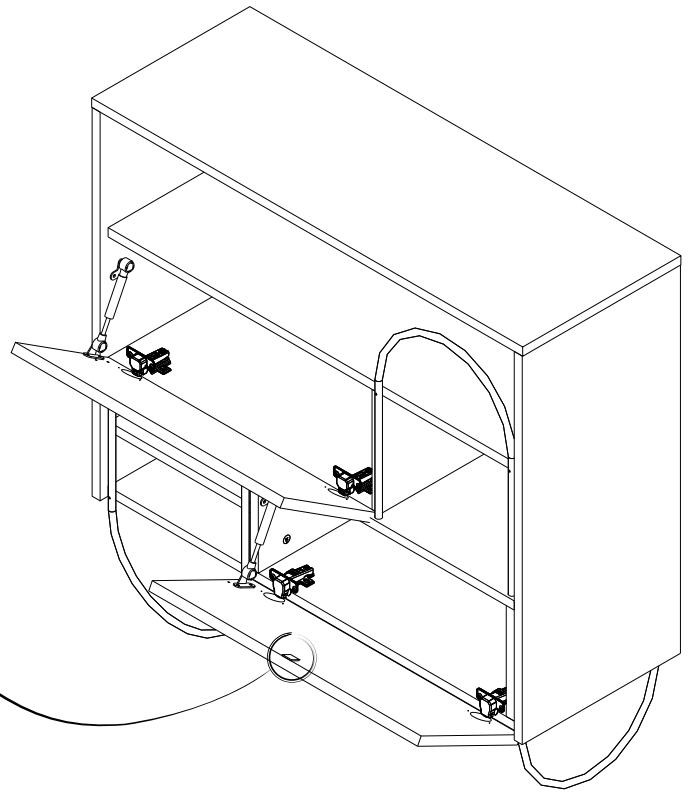
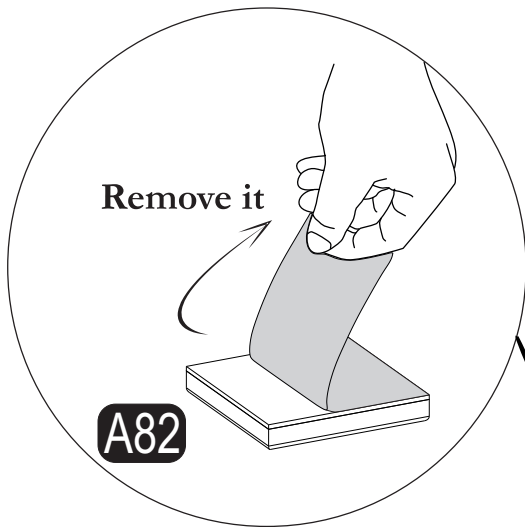
26.^{step}



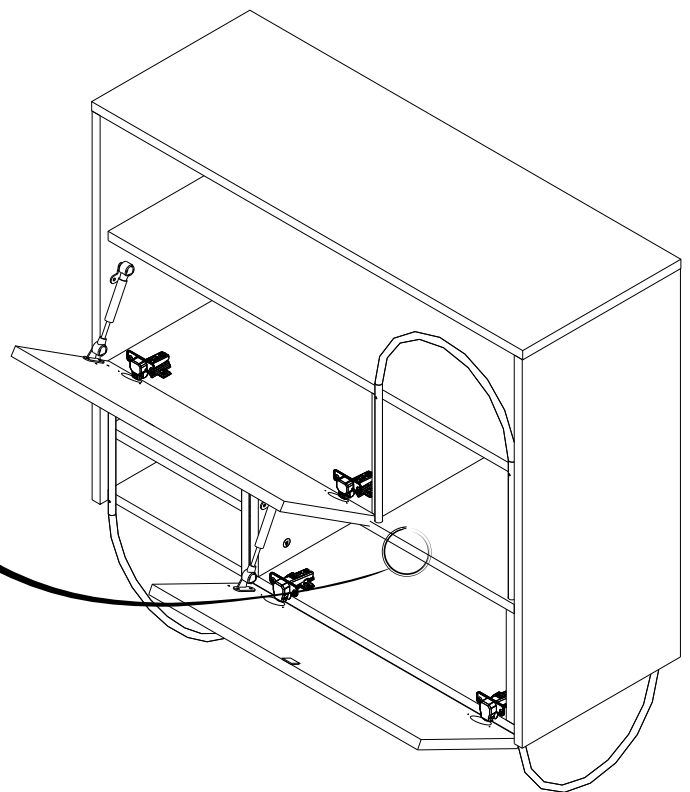
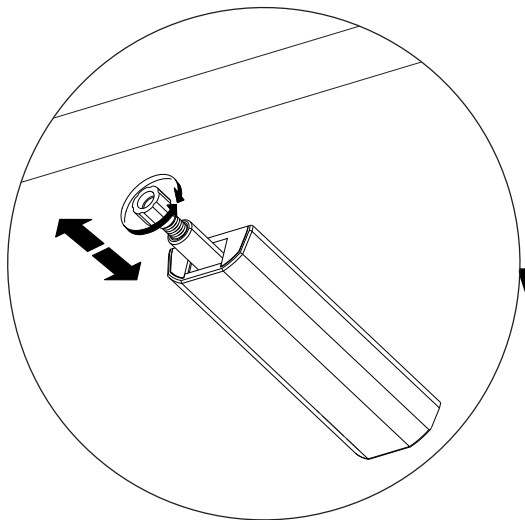
27.^{step}



28.^{step}



29.^{step}



30^{step}

